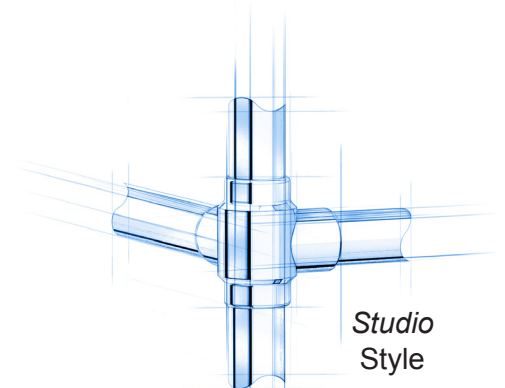


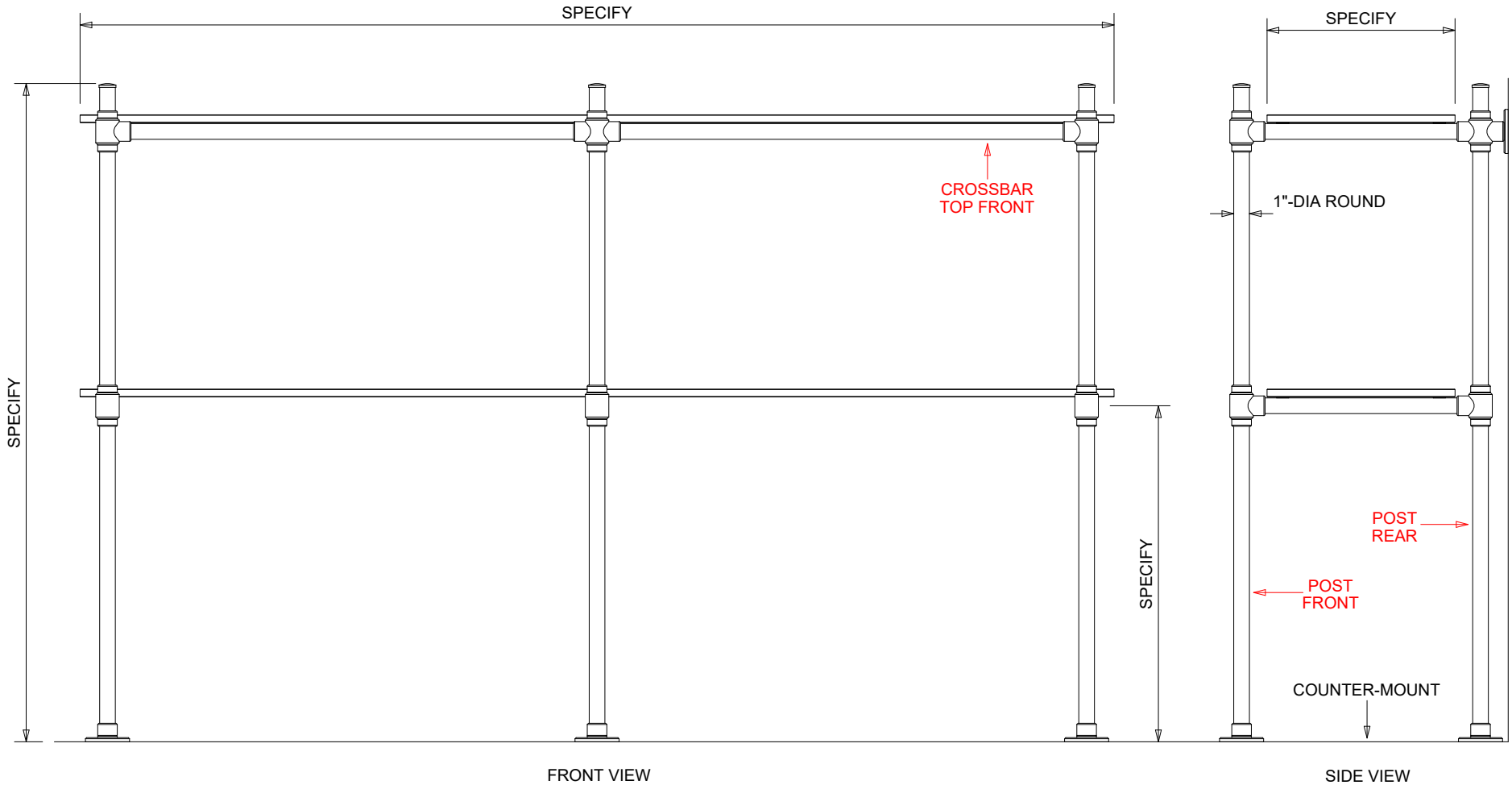
ALL SHELF SYSTEMS ARE CUSTOM BUILT TO ANY SIZE, ANY CONFIGURATION, & ANY FINISH
COUNTER-MOUNT & CEILING-MOUNT AVAILABLE

Style	Studio	Vertical Posts		Horizontal Crossbars	
Shelves	2	Front	3	Top Front Only	No
Mount	Counter	Rear	3	Bottom Front Only	No
				All Front	Yes
				Matching Rear Bars	No

EXAMPLE AS DRAWN ABOVE:
6-POST 2-SHELF CONFIGURATION



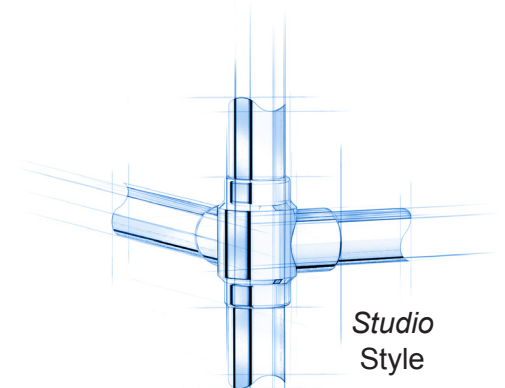
Studio Style



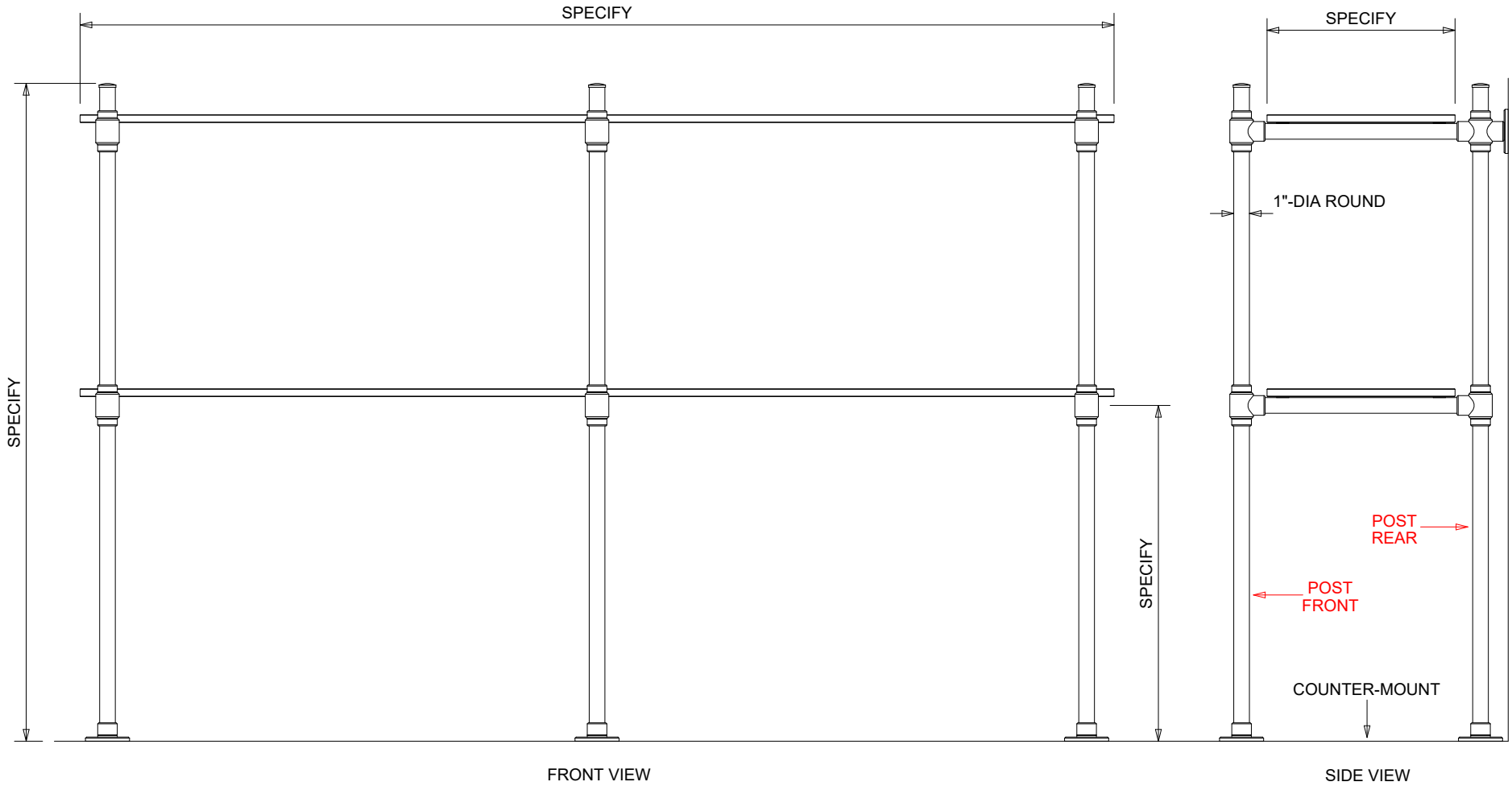
ALL SHELF SYSTEMS ARE CUSTOM BUILT TO ANY SIZE, ANY CONFIGURATION, & ANY FINISH
COUNTER-MOUNT & CEILING-MOUNT AVAILABLE

Style	Studio	Vertical Posts		Horizontal Crossbars	
Shelves	2	Front	3	Top Front Only	Yes
Mount	Counter	Rear	3	Bottom Front Only	No
				All Front	No
				Matching Rear Bars	No

EXAMPLE AS DRAWN ABOVE:
6-POST 2-SHELF CONFIGURATION



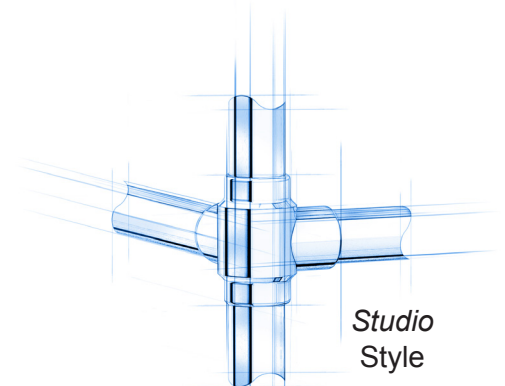
Studio Style



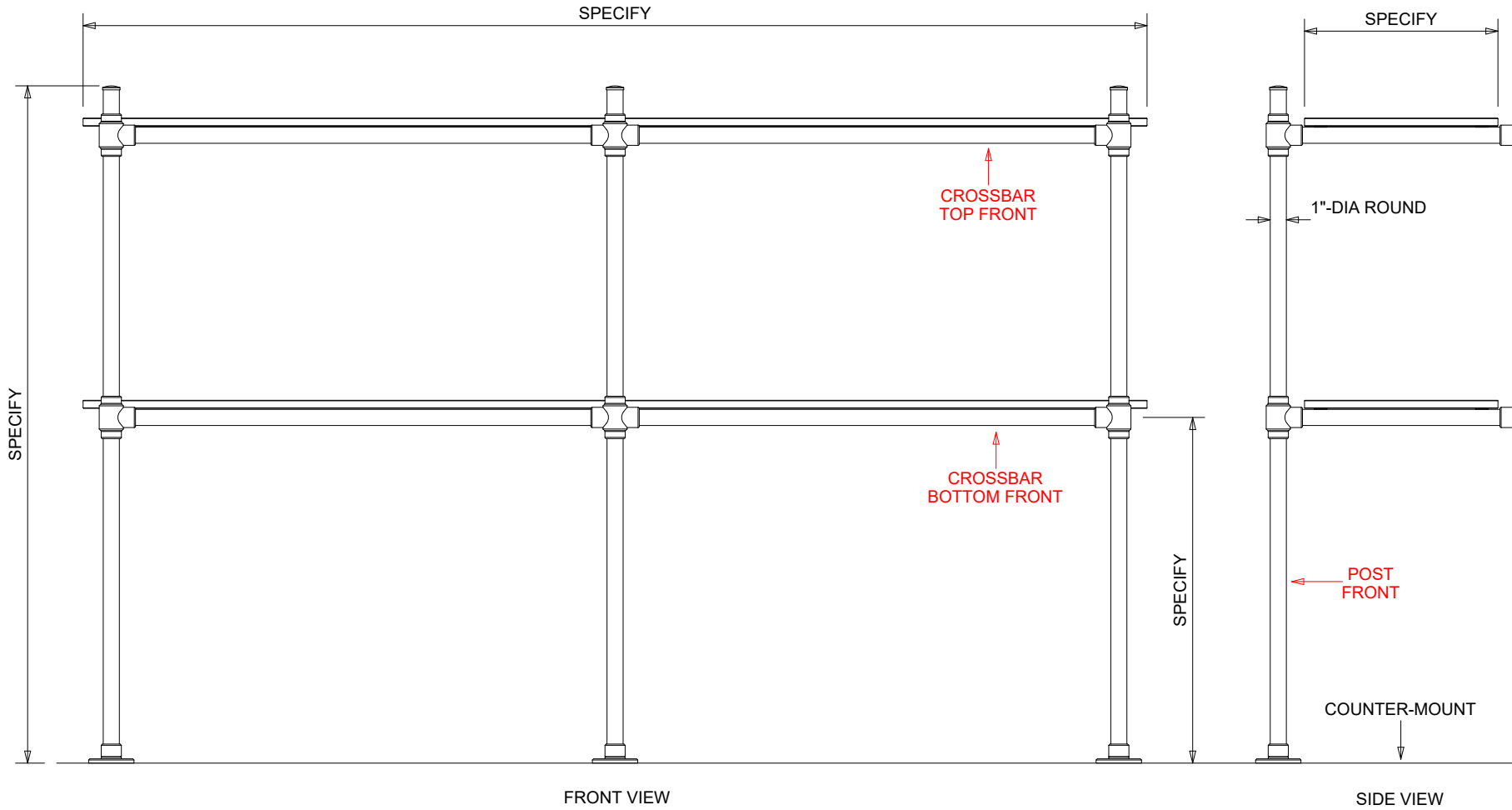
ALL SHELF SYSTEMS ARE CUSTOM BUILT TO ANY SIZE, ANY CONFIGURATION, & ANY FINISH
COUNTER-MOUNT & CEILING-MOUNT AVAILABLE

Style	Studio	Vertical Posts		Horizontal Crossbars	
Shelves	2	Front	3	Top Front Only	No
Mount	Counter	Rear	3	Bottom Front Only	No
				All Front	No
				Matching Rear Bars	No

EXAMPLE AS DRAWN ABOVE:
6-POST 2-SHELF CONFIGURATION



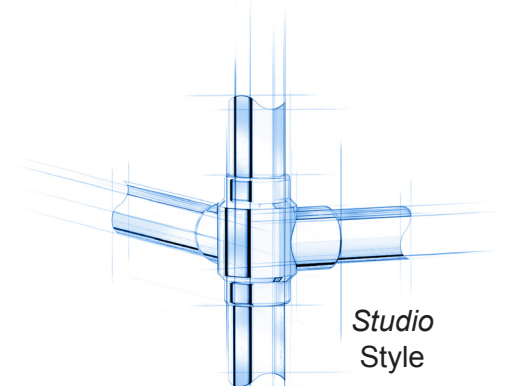
Studio Style



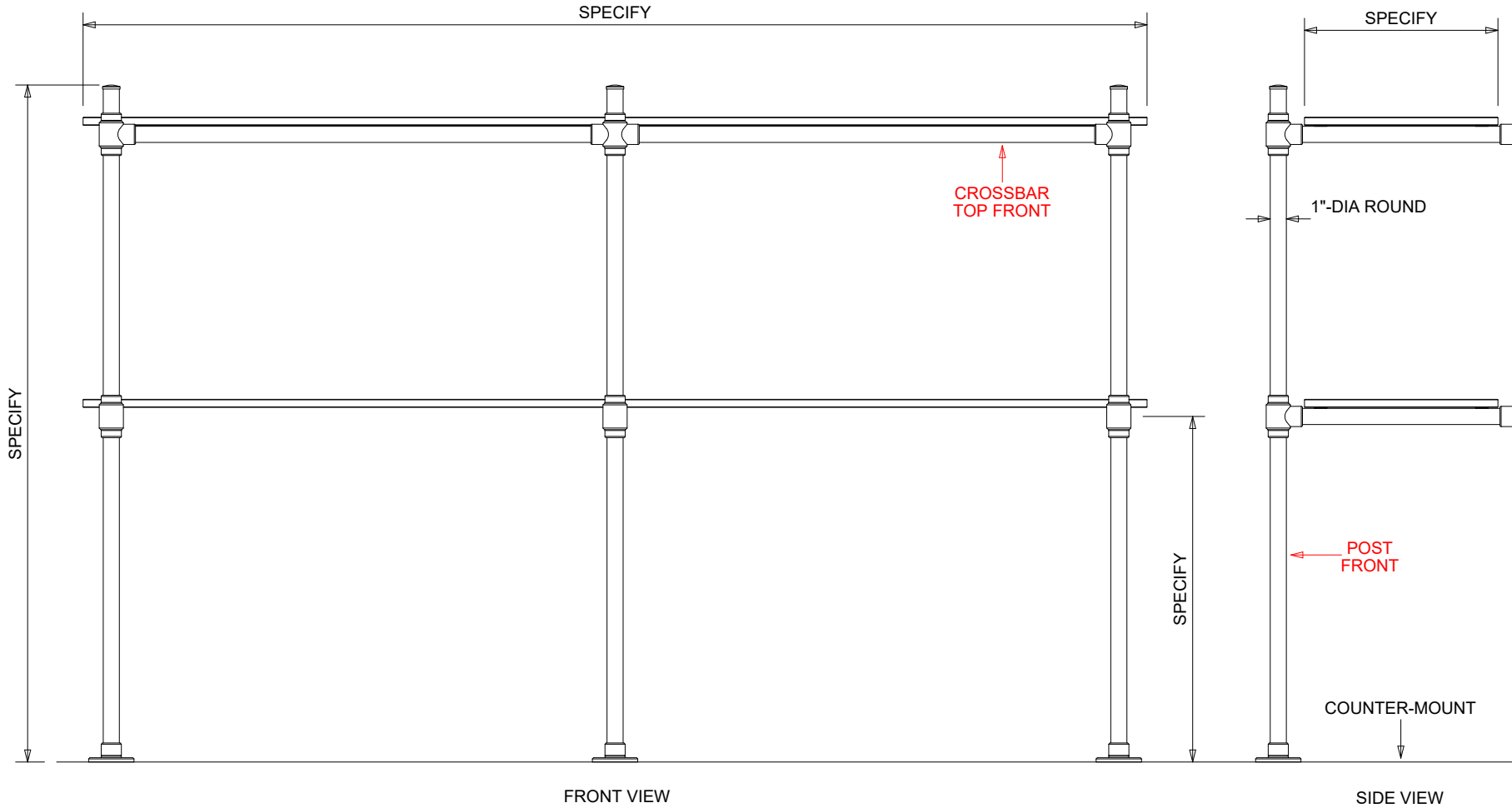
ALL SHELF SYSTEMS ARE CUSTOM BUILT TO ANY SIZE, ANY CONFIGURATION, & ANY FINISH
COUNTER-MOUNT & CEILING-MOUNT AVAILABLE

Style	Studio	Vertical Posts		Horizontal Crossbars	
Shelves	2	Front	3	Top Front Only	No
Mount	Counter	Rear	0	Bottom Front Only	No
				All Front	Yes
				Matching Rear Bars	No

EXAMPLE AS DRAWN ABOVE:
3-POST 2-SHELF CONFIGURATION



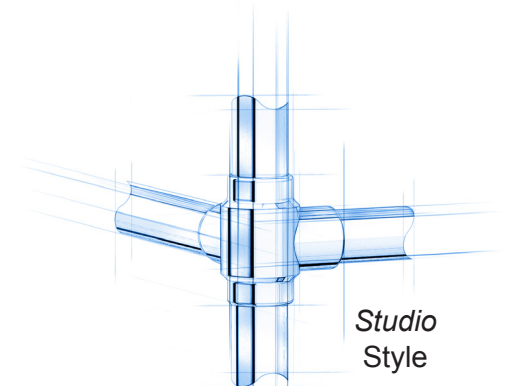
Studio Style



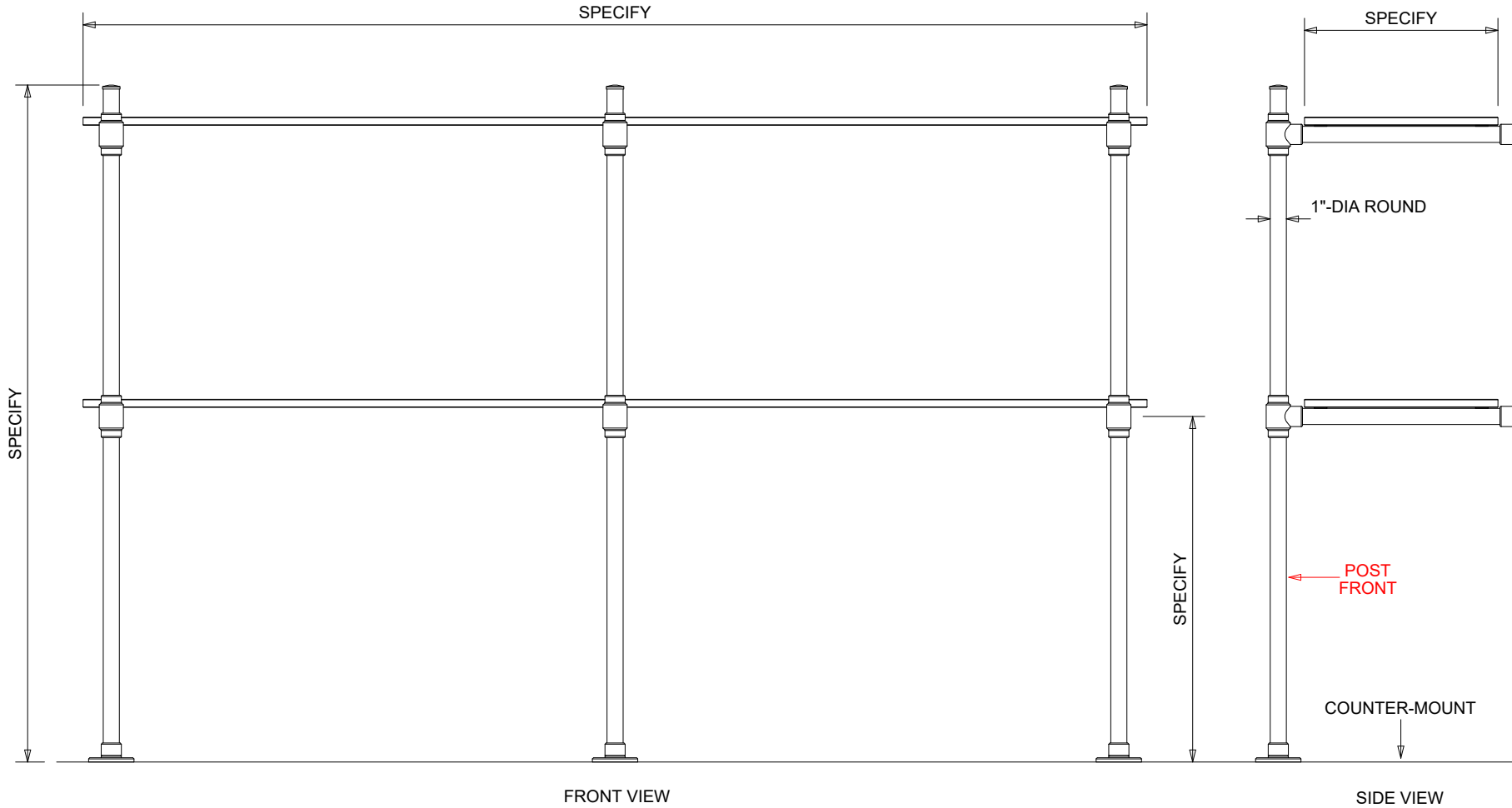
ALL SHELF SYSTEMS ARE CUSTOM BUILT TO ANY SIZE, ANY CONFIGURATION, & ANY FINISH
COUNTER-MOUNT & CEILING-MOUNT AVAILABLE

Style	Studio	Vertical Posts		Horizontal Crossbars	
Shelves	2	Front	3	Top Front Only	Yes
Mount	Counter	Rear	0	Bottom Front Only	No
				All Front	No
				Matching Rear Bars	No

EXAMPLE AS DRAWN ABOVE:
3-POST 2-SHELF CONFIGURATION



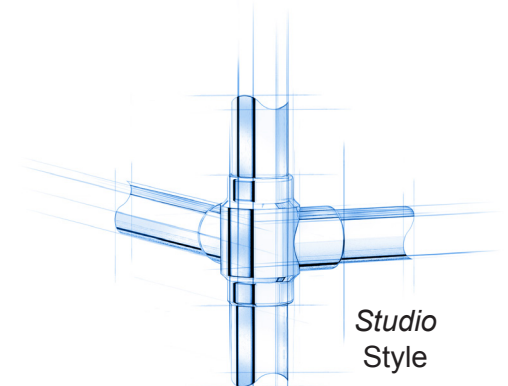
Studio Style



ALL SHELF SYSTEMS ARE CUSTOM BUILT TO ANY SIZE, ANY CONFIGURATION, & ANY FINISH
COUNTER-MOUNT & CEILING-MOUNT AVAILABLE

Style	Studio	Vertical Posts		Horizontal Crossbars	
Shelves	2	Front	3	Top Front Only	No
Mount	Counter	Rear	0	Bottom Front Only	No
				All Front	No
				Matching Rear Bars	No

EXAMPLE AS DRAWN ABOVE:
3-POST 2-SHELF CONFIGURATION



Studio Style