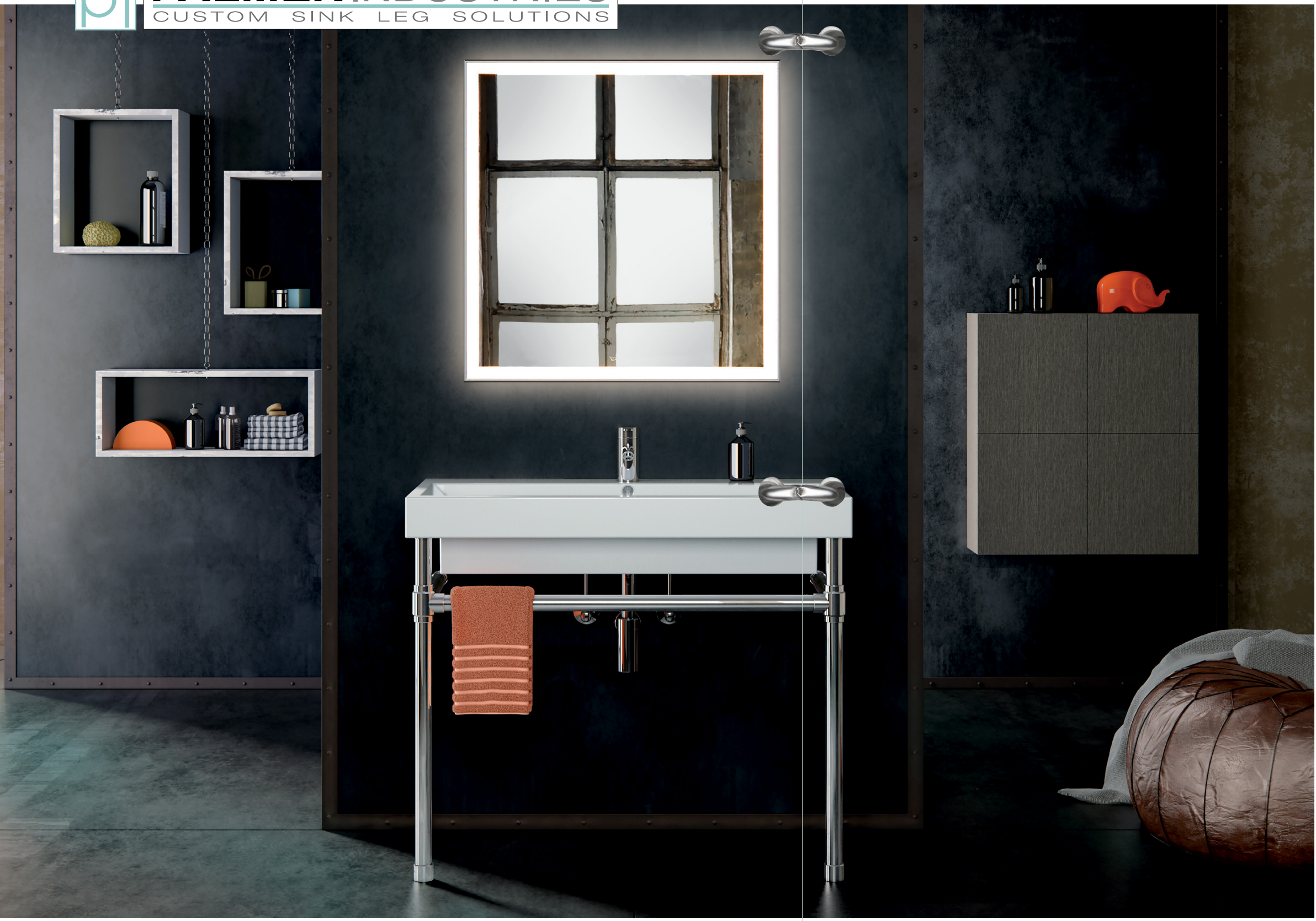


PALMER INDUSTRIES

CUSTOM SINK LEG SOLUTIONS



American Manufacturing
Providence, Rhode Island



Studio with Catalano Zero 100 sink

Palmer Industries is the leading manufacturer of vanity sink legs. Palmer washstands are proudly manufactured in the USA – designed, fabricated, assembled, and packaged in our Rhode Island facility. We maintain complete control over the entire process, enabling Palmer to custom fabricate any size, configuration, and finish efficiently and accurately.

Table of Contents

click on a page # to navigate

The Palmer Story	5
Custom Sizing	6
Custom Designs	7
Precision Engineering	8
<i>Classic Collection</i>	
T Tapered Foot	13
C Decorative Collar	14
BL Ball Foot	15
B Bun Foot	16
<i>Traditional Collection</i>	
E Essex	17
W Westport	18
CAP Capital	19
K Kingston	20
V Victorian	21
REN Renaissance	22
P Providence	23
<i>Modern Collection</i>	
S Studio	24
M Minimal	25
MET Metro	26
MOD Modern	27
SQ Square	28
L Linear	29
J Jamestown	30
<i>Wall Mount Collection</i>	
REG Regency	31
A Apex	32
Finishes & Materials	34
Shelving & Supports	36
Options & Accessories	38
China Sinks	40
Anatomy of a Leg System	41
Contact Information	42



Modern

As a designer, engineer, and manufacturer of custom architectural metalwork, Palmer specializes in the production of America's finest Custom Vanity Sink Legs.

Sink Legs do not simply play a supporting role in the design of your vanity, they play the defining role. The choice between elegant legs or just a wood box changes everything...

A Palmer leg system will integrate perfectly with your unique choices of personal colors, wall, floor, and counter materials, plumbing fixtures, and style.

Palmer washstands will support any choice of counter material, such as granite, marble, quartz, porcelain, cement, Corian, glass, metal, or wood. You provide the counter, and Palmer will design the appropriate leg system exactly to your specifications ...a perfect marriage.

Engineered in solid brass and richly finished in a full palette of lustrous platings and hand-rubbed patinas, Palmer Industries brings you the finest in custom vanity sink legs, perfectly at home in your elegant master bedroom suite or your understated powder room.

Table of Contents

click on a page # to navigate

The Palmer Story	5
Custom Sizing	6
Custom Designs	7
Precision Engineering	8
<i>Classic Collection</i>	
T Tapered Foot	13
C Decorative Collar	14
BL Ball Foot	15
B Bun Foot	16
<i>Traditional Collection</i>	
E Essex	17
W Westport	18
CAP Capital	19
K Kingston	20
V Victorian	21
REN Renaissance	22
P Providence	23
<i>Modern Collection</i>	
S Studio	24
M Minimal	25
MET Metro	26
MOD Modern	27
SQ Square	28
L Linear	29
J Jamestown	30
<i>Wall Mount Collection</i>	
REG Regency	31
A Apex	32
Finishes & Materials	34
Shelving & Supports	36
Options & Accessories	38
China Sinks	40
Anatomy of a Leg System	41
Contact Information	42



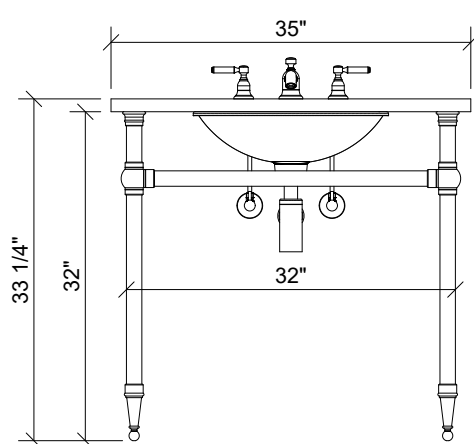
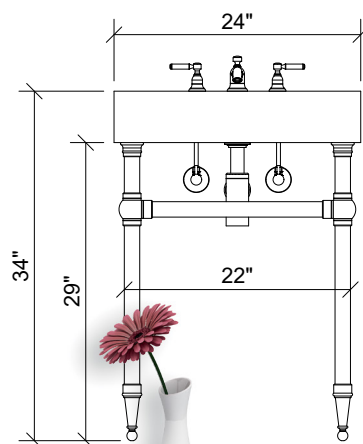
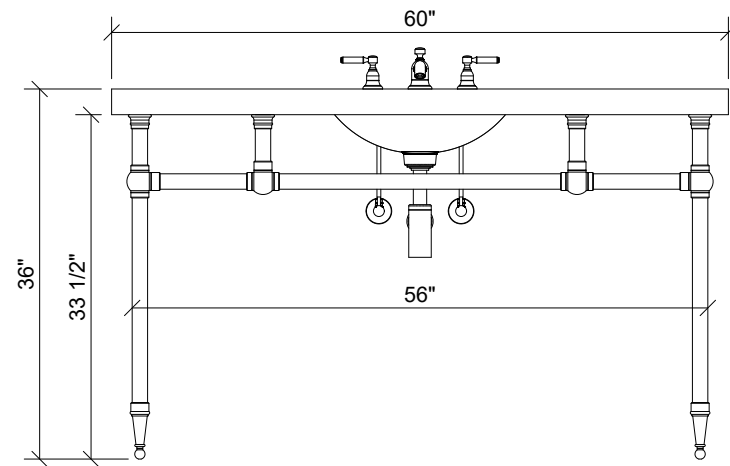
At Palmer, Custom Sizing is not "Custom"...

Each and every leg system is built to order... one at a time... to your exact size

One artisan... One leg system... One individual "work of art"



Tapered Foot



Because Palmer hand builds ALL leg systems to order, we can easily adjust the width, depth, and finished height to suit your customer's exact needs for a modest additional cost.

Give us your counter dimensions and we'll deliver an exact fit.



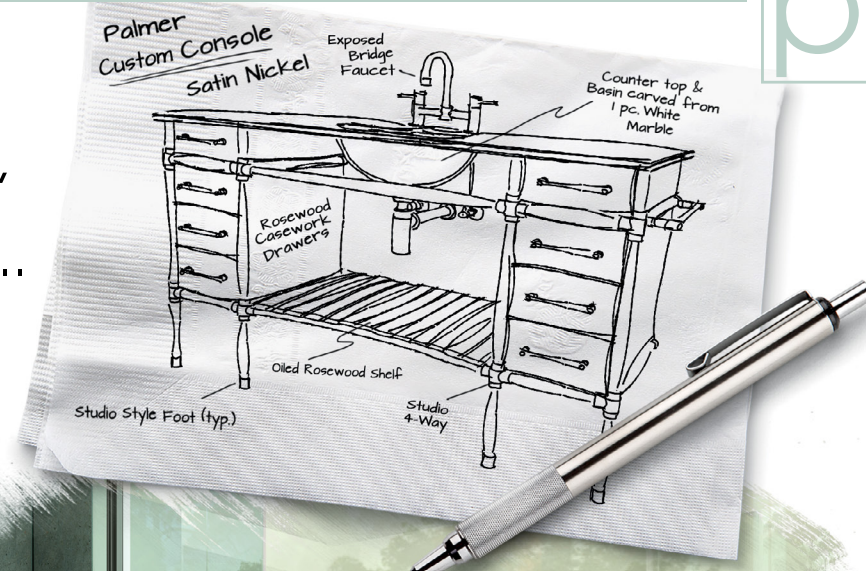
R-102717
R-102717



Palmer is a Boutique Designer & Manufacturer



If You Can Dream It, Palmer Can Build It...



From your inspiration to the final polishing touch, Palmer's dedicated team of engineers and artisans can take your project from conception to completion.

Provide us with your simple sketch, magazine clipping, or concept image from Houzz or Pinterest, and Palmer will quickly propose a solution to accommodate your design intent.

Table of Contents

click on a page # to navigate

The Palmer Story	5
Custom Sizing	6
Custom Designs	7
Precision Engineering	8

<i>Classic Collection</i>	
T Tapered Foot	13
C Decorative Collar	14
BL Ball Foot	15
B Bun Foot	16

<i>Traditional Collection</i>	
E Essex	17
W Westport	18
CAP Capital	19
K Kingston	20
V Victorian	21
REN Renaissance	22
P Providence	23

<i>Modern Collection</i>	
S Studio	24
M Minimal	25
MET Metro	26
MOD Modern	27
SQ Square	28
L Linear	29
J Jamestown	30

<i>Wall Mount Collection</i>	
REG Regency	31
A Apex	32

Finishes & Materials	34
Shelving & Supports	36
Options & Accessories	38
China Sinks	40
Anatomy of a Leg System	41
Contact Information	42



Palmer specializes in meeting your custom design needs:

any style, any size, any configuration, and any finish...

Flexible Design... Rigid Assembly...

Palmer offers unlimited design flexibility to create exactly the style and configuration of console you prefer, while never compromising the engineering details that ultimately produce a sound and rigid assembly.

Our internal "unseen" components are just as impressive in their function as our external decorative fittings are in their form.

Components such as custom-designed reinforcing plugs and nuts, tubing connectors, and heavy-duty machine fasteners (never "sheet-metal" screws), all chosen in appropriate metals such as stainless steel and tempered aluminum, are carefully integrated to produce a seamless and lasting console.



Table of Contents

click on a page # to navigate

The Palmer Story	5
Custom Sizing	6
Custom Designs	7
Precision Engineering	8
<i>Classic Collection</i>	
T Tapered Foot	13
C Decorative Collar	14
BL Ball Foot	15
B Bun Foot	16
<i>Traditional Collection</i>	
E Essex	17
W Westport	18
CAP Capital	19
K Kingston	20
V Victorian	21
REN Renaissance	22
P Providence	23
<i>Modern Collection</i>	
S Studio	24
M Minimal	25
MET Metro	26
MOD Modern	27
SQ Square	28
L Linear	29
J Jamestown	30
<i>Wall Mount Collection</i>	
REG Regency	31
A Apex	32
Finishes & Materials	34
Shelving & Supports	36
Options & Accessories	38
China Sinks	40
Anatomy of a Leg System	41
Contact Information	42



Kingston

PALMER
WE DO ALL THE LEG WORK FOR YOU



R-102717
R-102717



PALMER STYLES

a gallery of images



Westport



Table of Contents

click on a page # to navigate

The Palmer Story	5
Custom Sizing	6
Custom Designs	7
Precision Engineering	8
<i>Classic Collection</i>	
T Tapered Foot	13
C Decorative Collar	14
BL Ball Foot	15
B Bun Foot	16
<i>Traditional Collection</i>	
E Essex	17
W Westport	18
CAP Capital	19
K Kingston	20
V Victorian	21
REN Renaissance	22
P Providence	23
<i>Modern Collection</i>	
S Studio	24
M Minimal	25
MET Metro	26
MOD Modern	27
SQ Square	28
L Linear	29
J Jamestown	30
<i>Wall Mount Collection</i>	
REG Regency	31
A Apex	32
Finishes & Materials	34
Shelving & Supports	36
Options & Accessories	38
China Sinks	40
Anatomy of a Leg System	41
Contact Information	42

PALMER STYLES

a gallery of images

Classic Collection

- T** Tapered Foot 13
- C** Decorative Collar 14
- BL** Ball Foot 15
- B** Bun Foot 16

Traditional Collection

- E** Essex 17
- W** Westport 18
- CAP** Capital 19
- K** Kingston 20
- V** Victorian 21
- REN** Renaissance 22
- P** Providence 23

Modern Collection

- S** Studio 24
- M** Minimal 25
- MET** Metro 26
- MOD** Modern 27
- SQ** Square 28
- L** Linear 29
- J** Jamestown 30

Wall Mount Collection

- REG** Regency 31
- A** Apex 32



The Classic Collection



TAPERED FOOT

T

The *Tapered Foot* console, with its classic foot detail and distinctive ball corner joints, remains Palmer's most popular style.



LS21T with MTI Modern counter

available in 1 1/2" diameter and 1" diameter tubing

R-102717

R-102717

LS2T

Table of Contents

click on a page # to navigate

The Palmer Story	5
Custom Sizing	6
Custom Designs	7
Precision Engineering	8
<i>Classic Collection</i>	
T Tapered Foot	13
C Decorative Collar	14
BL Ball Foot	15
B Bun Foot	16
<i>Traditional Collection</i>	
E Essex	17
W Westport	18
CAP Capital	19
K Kingston	20
V Victorian	21
REN Renaissance	22
P Providence	23
<i>Modern Collection</i>	
S Studio	24
M Minimal	25
MET Metro	26
MOD Modern	27
SQ Square	28
L Linear	29
J Jamestown	30
<i>Wall Mount Collection</i>	
REG Regency	31
A Apex	32
Finishes & Materials	34
Shelving & Supports	36
Options & Accessories	38
China Sinks	40
Anatomy of a Leg System	41
Contact Information	42



DECORATIVE COLLAR

C

The crisply machined decorative collars, fitted underneath the corner joints and as feet, define the *Decorative Collar* style.



LS5C + TS5 + SS5R + TRL + TRR

shown above with optional hotel style shelf, rail shelf supports, and auxiliary towel rails

available in 1 1/2" diameter and 1" diameter tubing



R-102717
R-102717



BALL FOOT

BL

The *Ball Foot* style features Palmer's unique ball-and-socket corner joint, with its sharp lines and visual heft, paired with perfectly matching ball feet.



LS2BL + SD

shown with split diameter option

available in 1 1/2" diameter and 1" diameter tubing

LS2BL + SD

Table of Contents

click on a page # to navigate

The Palmer Story	5
Custom Sizing	6
Custom Designs	7
Precision Engineering	8
<i>Classic Collection</i>	
T Tapered Foot	13
C Decorative Collar	14
BL Ball Foot	15
B Bun Foot	16
<i>Traditional Collection</i>	
E Essex	17
W Westport	18
CAP Capital	19
K Kingston	20
V Victorian	21
REN Renaissance	22
P Providence	23
<i>Modern Collection</i>	
S Studio	24
M Minimal	25
MET Metro	26
MOD Modern	27
SQ Square	28
L Linear	29
J Jamestown	30
<i>Wall Mount Collection</i>	
REG Regency	31
A Apex	32
Finishes & Materials	34
Shelving & Supports	36
Options & Accessories	38
China Sinks	40
Anatomy of a Leg System	41
Contact Information	42



BUN FOOT

B

The bun foot has long been a classic architectural feature in fine furniture design, and Palmer's *Bun Foot* console features a robust and elegant version of this prominent component.



LS2B + FR



LS2B

shown above with Palmer custom mirrors and optional front riser

available in 1 1/2" diameter and 1" diameter tubing



R-102717
R-102717



ESSEX

E

Formerly known as the *Tapered Leg*, the *Essex* features a refined tapered leg with a slender foot and perfectly coordinated fittings.



LS2E

1 1/2" diameter legs tapering to 1" diameter at the foot

1" diameter crossbars

R-102717
R-102717



LS2E

Table of Contents

click on a page # to navigate

The Palmer Story	5
Custom Sizing	6
Custom Designs	7
Precision Engineering	8
<i>Classic Collection</i>	
T Tapered Foot	13
C Decorative Collar	14
BL Ball Foot	15
B Bun Foot	16
<i>Traditional Collection</i>	
E Essex	17
W Westport	18
CAP Capital	19
K Kingston	20
V Victorian	21
REN Renaissance	22
P Providence	23
<i>Modern Collection</i>	
S Studio	24
M Minimal	25
MET Metro	26
MOD Modern	27
SQ Square	28
L Linear	29
J Jamestown	30
<i>Wall Mount Collection</i>	
REG Regency	31
A Apex	32
Finishes & Materials	34
Shelving & Supports	36
Options & Accessories	38
China Sinks	40
Anatomy of a Leg System	41
Contact Information	42



WESTPORT

W

The *Westport* features a round head transitioning to a slender leg, with complementary fittings, and a single horizontal crossbar.



LS2W



LS2W

1 1/2" diameter head
1" diameter legs
1" diameter crossbars



R-102717
R-102717



CAPITAL

CAP

The *Capital* style is defined by its prominent square head, slender leg, and distinctive double horizontal crossbars.



LS2CAP

shown above with Palmer custom wall-mounted Towel Rack

1 1/2" square head
1" diameter legs
1" diameter crossbars



LS2CAP

Table of Contents

click on a page # to navigate

The Palmer Story	5
Custom Sizing	6
Custom Designs	7
Precision Engineering	8

<i>Classic Collection</i>	
T Tapered Foot	13
C Decorative Collar	14
BL Ball Foot	15
B Bun Foot	16

<i>Traditional Collection</i>	
E Essex	17
W Westport	18
CAP Capital	19
K Kingston	20
V Victorian	21
REN Renaissance	22
P Providence	23

<i>Modern Collection</i>	
S Studio	24
M Minimal	25
MET Metro	26
MOD Modern	27
SQ Square	28
L Linear	29
J Jamestown	30

<i>Wall Mount Collection</i>	
REG Regency	31
A Apex	32

Finishes & Materials	34
Shelving & Supports	36
Options & Accessories	38
China Sinks	40
Anatomy of a Leg System	41
Contact Information	42



KINGSTON

K

Vintage tapered legs with decorative collars, classic ball-and-socket joints, a tapered foot, and slender crossbars all combine to create the *Kingston*.



LS2K

1½" diameter legs tapering to 1" diameter at the foot

1" diameter crossbars

LS2K

The Traditional Collection



R-102717
R-102717



LS41V

1" diameter legs
5/8" diameter towel rails

shown with stone shelf
supplied by customer

LS41V

VICTORIAN

V

The *Victorian* offers an artfully crafted and open design, featuring auxiliary towel rails and split collar shelf supports, while incorporating ample storage space below.

Table of Contents

click on a page # to navigate

The Palmer Story	5
Custom Sizing	6
Custom Designs	7
Precision Engineering	8
<i>Classic Collection</i>	
T Tapered Foot	13
C Decorative Collar	14
BL Ball Foot	15
B Bun Foot	16
<i>Traditional Collection</i>	
E Essex	17
W Westport	18
CAP Capital	19
K Kingston	20
V Victorian	21
REN Renaissance	22
P Providence	23
<i>Modern Collection</i>	
S Studio	24
M Minimal	25
MET Metro	26
MOD Modern	27
SQ Square	28
L Linear	29
J Jamestown	30
<i>Wall Mount Collection</i>	
REG Regency	31
A Apex	32
Finishes & Materials	34
Shelving & Supports	36
Options & Accessories	38
China Sinks	40
Anatomy of a Leg System	41
Contact Information	42



RENAISSANCE

REN

The *Renaissance* console, with its broadly sweeping center curve flanked by pairs of legs on either side, represents a classic and timeless architectural style.



LS41REN

shown above with Stone Forest Renaissance sink and featuring matching Palmer wall-mounted Towel Rack and free-standing Palmer Étagère

1" diameter legs
1" diameter crossbars

LS41REN

PROVIDENCE

P

The *Providence* model, featuring a striking square head, turned neck, and mildly tapered legs, seamlessly incorporates stone aprons (a "skirt") concealing the sink basin and hardware below the counter.



LS2P

2" square head

1 1/2" diameter legs tapering to 1" diameter at the foot

LS2P

Table of Contents

click on a page # to navigate

The Palmer Story	5
Custom Sizing	6
Custom Designs	7
Precision Engineering	8
<i>Classic Collection</i>	
T Tapered Foot	13
C Decorative Collar	14
BL Ball Foot	15
B Bun Foot	16
<i>Traditional Collection</i>	
E Essex	17
W Westport	18
CAP Capital	19
K Kingston	20
V Victorian	21
REN Renaissance	22
P Providence	23
<i>Modern Collection</i>	
S Studio	24
M Minimal	25
MET Metro	26
MOD Modern	27
SQ Square	28
L Linear	29
J Jamestown	30
<i>Wall Mount Collection</i>	
REG Regency	31
A Apex	32
Finishes & Materials	34
Shelving & Supports	36
Options & Accessories	38
China Sinks	40
Anatomy of a Leg System	41
Contact Information	42



STUDIO S

The *Studio* console elevates modern industrial utility to a state of luxurious design with its sharp refined lines, and understated fittings.



LS2SNR with Catalano Zero 100 sink

available in 1 1/2" diameter and 1" diameter tubing

LS2SNR

The Modern Collection

MINIMAL M

The *Minimal* model, with its unadorned tapered legs and clean fittings, affords a sleek and fashionable sense for today's modern bathrooms.



LS2M with Duravit DuraStyle sink

1 1/2" diameter legs tapering to 1" diameter at the foot

1" diameter crossbars

LS2M

Table of Contents

click on a page # to navigate

The Palmer Story	5
Custom Sizing	6
Custom Designs	7
Precision Engineering	8
<i>Classic Collection</i>	
T Tapered Foot	13
C Decorative Collar	14
BL Ball Foot	15
B Bun Foot	16
<i>Traditional Collection</i>	
E Essex	17
W Westport	18
CAP Capital	19
K Kingston	20
V Victorian	21
REN Renaissance	22
P Providence	23
<i>Modern Collection</i>	
S Studio	24
M Minimal	25
MET Metro	26
MOD Modern	27
SQ Square	28
L Linear	29
J Jamestown	30
<i>Wall Mount Collection</i>	
REG Regency	31
A Apex	32
Finishes & Materials	34
Shelving & Supports	36
Options & Accessories	38
China Sinks	40
Anatomy of a Leg System	41
Contact Information	42



METRO

MET

The *Metro* console offers clean uninterrupted lines and simple styling, in a diminutive scale well suited to smaller spaces.



LS21MET + TS2 + SS2LP with Duravit Vero sink



LS21MET + TS2 + SS2LP

shown with optional hotel style shelf and low profile shelf supports

available in 1" diameter legs with 5/8" diameter offset crossbars (as shown), and also 1 1/2" diameter legs with 1" diameter offset crossbars



R-102717 R-102717



LS2MOD

1 1/2" diameter legs
1" diameter crossbars

MODERN

MOD

Inspired by Danish Modern design, the *Modern* console features a long sleek foot, smooth contours, and simple geometric patterns.



LS2MOD

Table of Contents

click on a page # to navigate

The Palmer Story	5
Custom Sizing	6
Custom Designs	7
Precision Engineering	8

<i>Classic Collection</i>	
T Tapered Foot	13
C Decorative Collar	14
BL Ball Foot	15
B Bun Foot	16

<i>Traditional Collection</i>	
E Essex	17
W Westport	18
CAP Capital	19
K Kingston	20
V Victorian	21
REN Renaissance	22
P Providence	23

<i>Modern Collection</i>	
S Studio	24
M Minimal	25
MET Metro	26
MOD Modern	27
SQ Square	28
L Linear	29
J Jamestown	30

<i>Wall Mount Collection</i>	
REG Regency	31
A Apex	32

Finishes & Materials	34
Shelving & Supports	36
Options & Accessories	38
China Sinks	40
Anatomy of a Leg System	41
Contact Information	42



SQUARE

SQ

The contemporary *Square* model is defined by its strong horizontal and vertical lines created by the crisp-edge square tubing, and punctuated by complementary square and stylish fittings.



LS2SQ

1 1/2" square legs
1" square crossbars

LS2SQ with Duravit Vero sink



R-102717

R-102717



LS41L + GS4

1" square legs
1" square crossbars

shown with optional glass shelf

LINEAR

L

The integration of the strong rectilinear lines of square tubing with concealed flush joinery creates the cutting-edge look and appeal of the *Linear* console.



LS41L + GS4

Table of Contents

click on a page # to navigate

The Palmer Story	5
Custom Sizing	6
Custom Designs	7
Precision Engineering	8

<i>Classic Collection</i>	
T Tapered Foot	13
C Decorative Collar	14
BL Ball Foot	15
B Bun Foot	16

<i>Traditional Collection</i>	
E Essex	17
W Westport	18
CAP Capital	19
K Kingston	20
V Victorian	21
REN Renaissance	22
P Providence	23

<i>Modern Collection</i>	
S Studio	24
M Minimal	25
MET Metro	26
MOD Modern	27
SQ Square	28
L Linear	29
J Jamestown	30

<i>Wall Mount Collection</i>	
REG Regency	31
A Apex	32

Finishes & Materials	34
Shelving & Supports	36
Options & Accessories	38
China Sinks	40
Anatomy of a Leg System	41
Contact Information	42



JAMESTOWN

J

The smooth refined lines of the Danish Modern foot and a gracefully curved crossbar define the *Jamestown* form, and achieve a tasteful blending of traditional form with modern appeal.



LS2J + WS2 + SS2LP



LS2J + GS2 + SS2GC

1 1/2" diameter legs
1" diameter crossbars

shown at left with Stone Forest Harbor sink, optional Teak wood shelf, & low profile shelf supports



REGENCY

REG

The *Regency* model, with its soft curves and masculine flair, offers a wall-hung vanity option for applications when a leg system is not practical, or a raised architectural concept is preferred.



WMREG

1" diameter crossbar



WMREG

shown with Stone Forest Petite Renaissance sink



R-102717

R-102717



Table of Contents

click on a page # to navigate

The Palmer Story	5
Custom Sizing	6
Custom Designs	7
Precision Engineering	8
<i>Classic Collection</i>	
T Tapered Foot	13
C Decorative Collar	14
BL Ball Foot	15
B Bun Foot	16
<i>Traditional Collection</i>	
E Essex	17
W Westport	18
CAP Capital	19
K Kingston	20
V Victorian	21
REN Renaissance	22
P Providence	23
<i>Modern Collection</i>	
S Studio	24
M Minimal	25
MET Metro	26
MOD Modern	27
SQ Square	28
L Linear	29
J Jamestown	30
<i>Wall Mount Collection</i>	
REG Regency	31
A Apex	32
Finishes & Materials	34
Shelving & Supports	36
Options & Accessories	38
China Sinks	40
Anatomy of a Leg System	41
Contact Information	42



APEX

A

Featuring minimal exposed metalwork and a structurally sound geometric form, the Apex offers a space-saving and simple wall-hung approach to vanity installations.



WMA

1" diameter tubing

shown with Stone Forest Vintage 27 sink

WMA



R-102717
R-102717



WMAC

1" diameter tubing

WMAC

APEX

A

The Apex with the decorative collar option presents a more ornate style variant to this geometrically simple design.

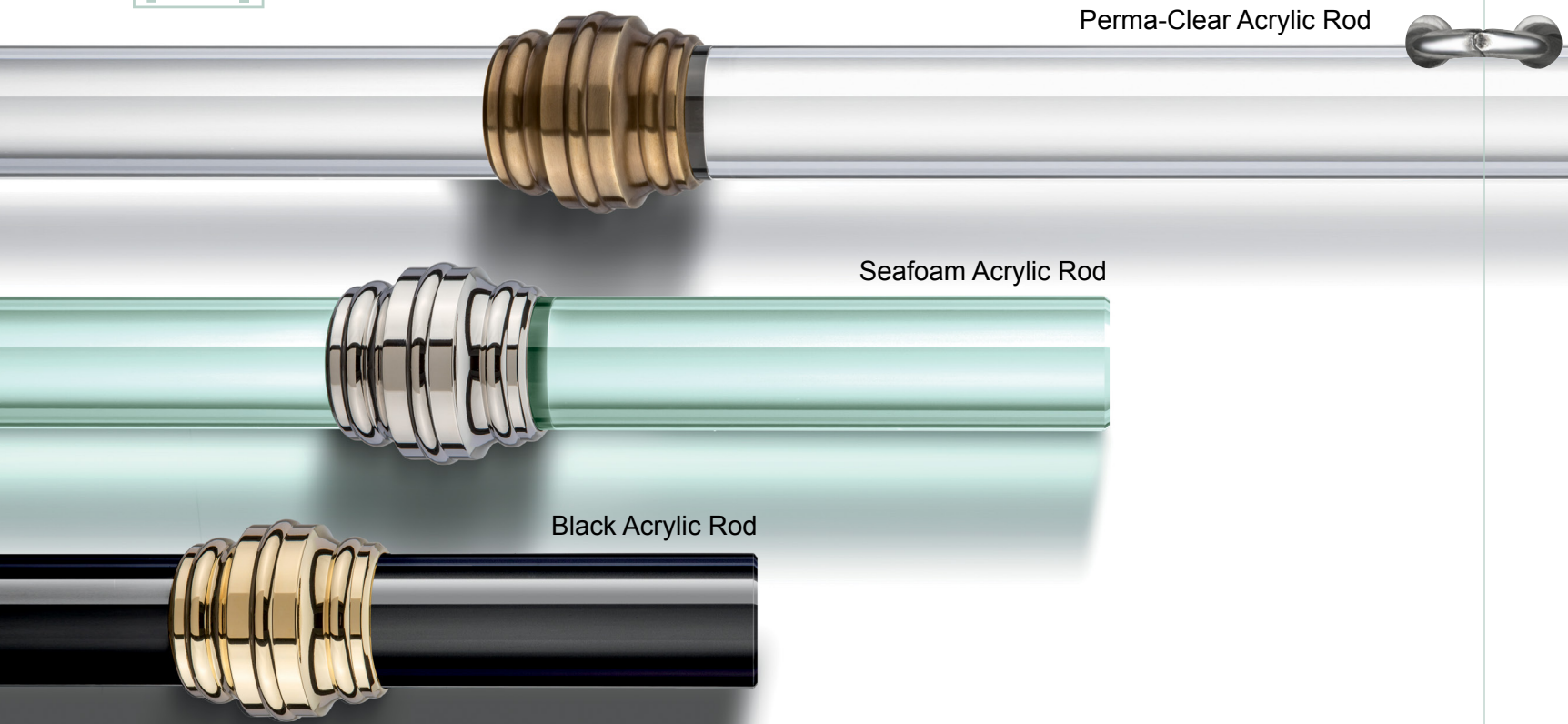


shown with Stone Forest Vintage 27 sink

Table of Contents

click on a page # to navigate

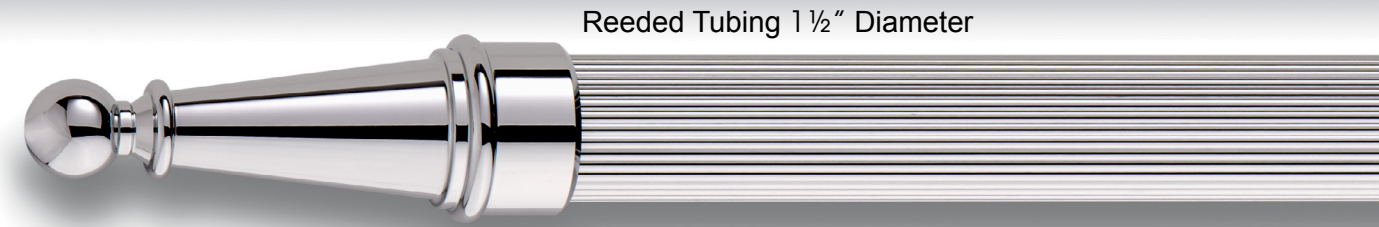
The Palmer Story	5
Custom Sizing	6
Custom Designs	7
Precision Engineering	8
<i>Classic Collection</i>	
T Tapered Foot	13
C Decorative Collar	14
BL Ball Foot	15
B Bun Foot	16
<i>Traditional Collection</i>	
E Essex	17
W Westport	18
CAP Capital	19
K Kingston	20
V Victorian	21
REN Renaissance	22
P Providence	23
<i>Modern Collection</i>	
S Studio	24
M Minimal	25
MET Metro	26
MOD Modern	27
SQ Square	28
L Linear	29
J Jamestown	30
<i>Wall Mount Collection</i>	
REG Regency	31
A Apex	32
Finishes & Materials	34
Shelving & Supports	36
Options & Accessories	38
China Sinks	40
Anatomy of a Leg System	41
Contact Information	42



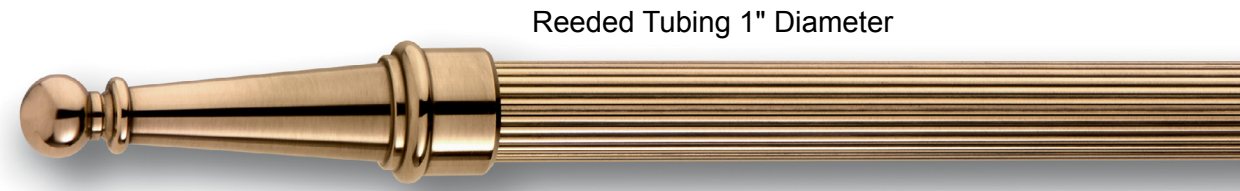
Perma-Clear Acrylic Rod

Seafoam Acrylic Rod

Black Acrylic Rod



Reeded Tubing 1 1/2" Diameter



Reeded Tubing 1" Diameter

The Polished Look of Palmer Perfection

The Palmer Palette includes a rich range of luxurious and durable platings, PVD coatings, and hand-rubbed "living finish" patinas. With the addition of clear and colored acrylic rods, reeded tubing, and our many functional accessories, your design choices are virtually unlimited...

* contact Palmer for pricing & delivery of PVD and Powder Coat finishes

Polished Chrome

Polished Nickel

Satin Nickel

Polished Brass Un-Lacquered or PVD*

Satin Brass PVD*

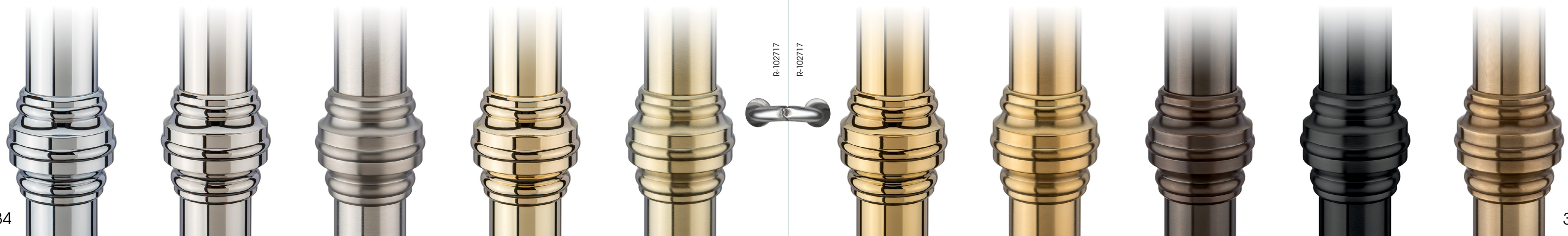
Polished Gold PVD*

Satin Gold PVD*

Oil Rubbed Bronze

Powder Coat Semi-Matte Black*

Aged Brass Un-Lacquered



R-102717
R-102717

Table of Contents

click on a page # to navigate

The Palmer Story	5
Custom Sizing	6
Custom Designs	7
Precision Engineering	8
<i>Classic Collection</i>	
T Tapered Foot	13
C Decorative Collar	14
BL Ball Foot	15
B Bun Foot	16
<i>Traditional Collection</i>	
E Essex	17
W Westport	18
CAP Capital	19
K Kingston	20
V Victorian	21
REN Renaissance	22
P Providence	23
<i>Modern Collection</i>	
S Studio	24
M Minimal	25
MET Metro	26
MOD Modern	27
SQ Square	28
L Linear	29
J Jamestown	30
<i>Wall Mount Collection</i>	
REG Regency	31
A Apex	32
Finishes & Materials	34
Shelving & Supports	36
Options & Accessories	38
China Sinks	40
Anatomy of a Leg System	41
Contact Information	42



The Palmer Story	5
Custom Sizing	6
Custom Designs	7
Precision Engineering	8
<i>Classic Collection</i>	
T Tapered Foot	13
C Decorative Collar	14
BL Ball Foot	15
B Bun Foot	16
<i>Traditional Collection</i>	
E Essex	17
W Westport	18
CAP Capital	19
K Kingston	20
V Victorian	21
REN Renaissance	22
P Providence	23
<i>Modern Collection</i>	
S Studio	24
M Minimal	25
MET Metro	26
MOD Modern	27
SQ Square	28
L Linear	29
J Jamestown	30
<i>Wall Mount Collection</i>	
REG Regency	31
A Apex	32
Finishes & Materials	34
Shelving & Supports	36
Options & Accessories	38
China Sinks	40
Anatomy of a Leg System	41
Contact Information	42

Standard Glass Shelf

Low Iron Glass Shelf

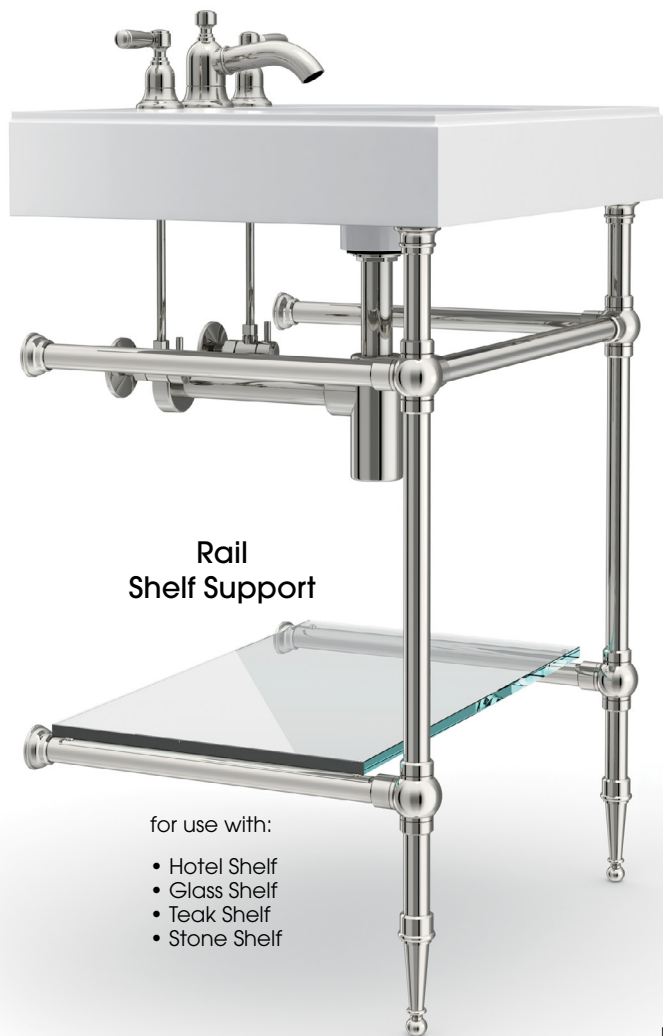
Palmer offers the perfect solution for incorporating additional storage within your washstand.

All of our shelves are handcrafted in the USA, and are custom fabricated, one at a time, to your unique specifications.

Hotel Style Tubular Metal Shelf

Teak Wood Shelf

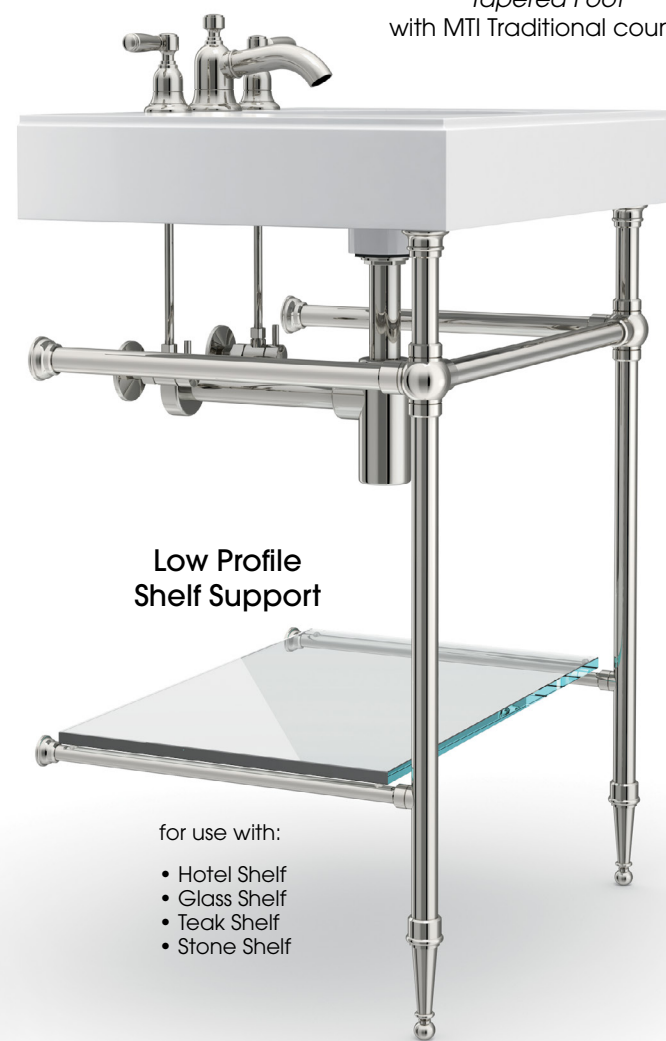
Tapered Foot with MTI Traditional counter



Rail Shelf Support

for use with:

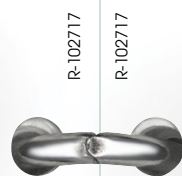
- Hotel Shelf
- Glass Shelf
- Teak Shelf
- Stone Shelf



Low Profile Shelf Support

for use with:

- Hotel Shelf
- Glass Shelf
- Teak Shelf
- Stone Shelf



Glass Clip Shelf Support

for use with:

- Glass Shelf
- Stone Shelf



Split Collar Shelf Support

for use with:

- Stone Shelf

stone shelf provided by others

Palmer Industries has engineered four unique

shelf support systems to meet your shelving needs.



Table of Contents
click on a page # to navigate

Solid Acrylic Rod

Solid Brass Wall Bracket finished to match legs

Auxiliary Towel Rail

Palmer Custom Mirror

Toilet Paper Holder

Front Riser

Hammered Ball Fitting

Curved Crossbar

1 1/2" Diameter

Split Diameter Tubing

1" Diameter

The Palmer Story	5
Custom Sizing	6
Custom Designs	7
Precision Engineering	8
<i>Classic Collection</i>	
T Tapered Foot	13
C Decorative Collar	14
BL Ball Foot	15
B Bun Foot	16
<i>Traditional Collection</i>	
E Essex	17
W Westport	18
CAP Capital	19
K Kingston	20
V Victorian	21
REN Renaissance	22
P Providence	23
<i>Modern Collection</i>	
S Studio	24
M Minimal	25
MET Metro	26
MOD Modern	27
SQ Square	28
L Linear	29
J Jamestown	30
<i>Wall Mount Collection</i>	
REG Regency	31
A Apex	32
Finishes & Materials	34
Shelving & Supports	36
Options & Accessories	38
China Sinks	40
Anatomy of a Leg System	41
Contact Information	42



Palmer washstands are the natural choice for supporting china or porcelain sinks...the perfect marriage.

Palmer leg systems can be sized to accommodate almost any choice of china sink.

Sizing a stand properly to a china sink can be accomplished three ways:

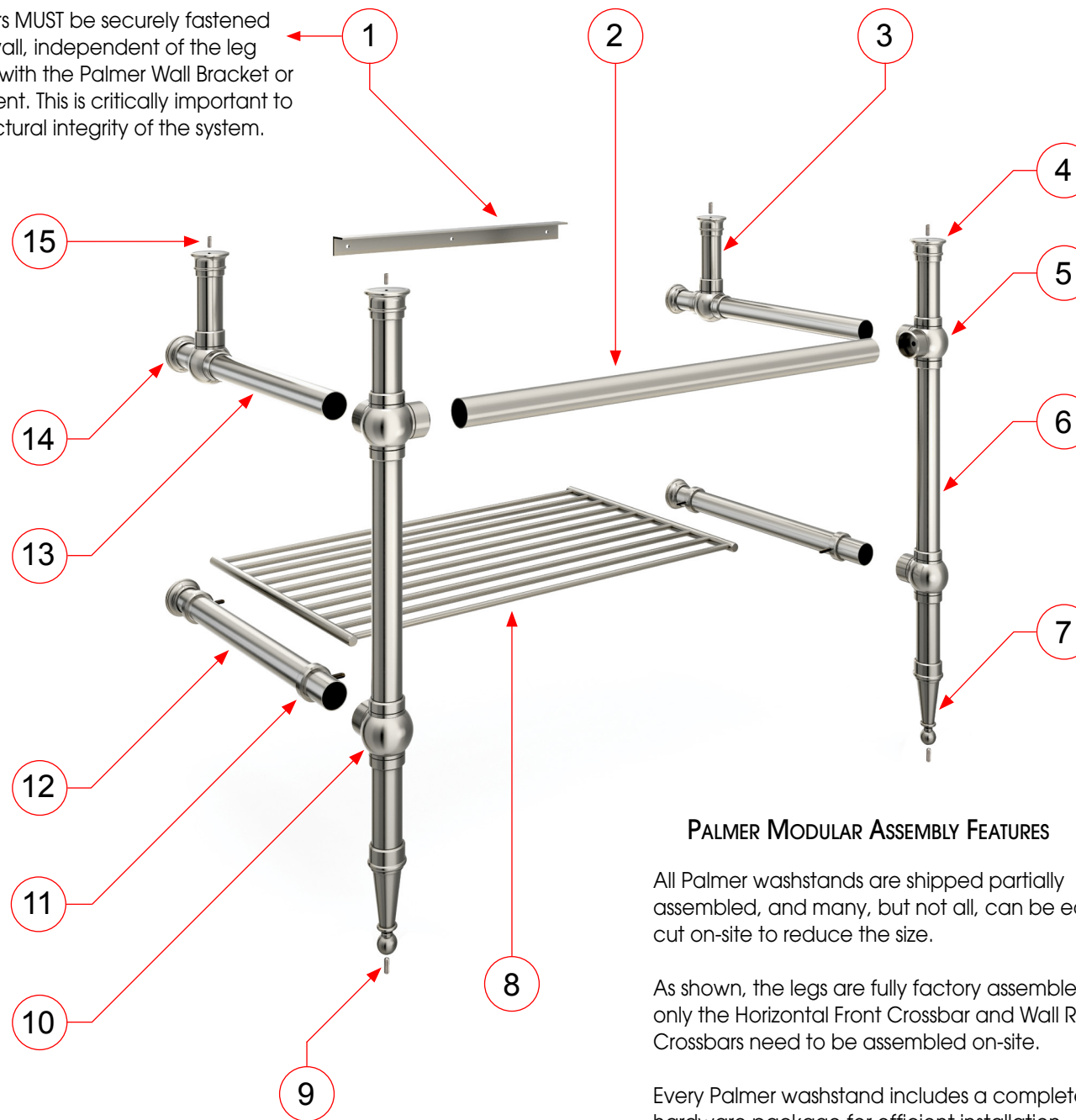
1. Choose a china sink from our online database located on our website Resources page at sinklegs.com/sinks. This database represents a current listing of sinks that Palmer has evaluated. Palmer will build the stand to fit the sink exactly.
2. Drop-ship the sink directly to Palmer for proper sizing evaluation. Palmer will then take all the appropriate measurements, and determine a washstand size that fits the sink perfectly.
3. Order the washstand larger than required with the intention of cutting the leg system on-site to fit the sink. Note: shelves cannot be field cut.



Minimal with Duravit DuraStyle sink



Counters MUST be securely fastened to the wall, independent of the leg system, with the Palmer Wall Bracket or equivalent. This is critically important to the structural integrity of the system.



1. Wall Bracket
2. Front Crossbar
3. Rear Riser (optional)
4. Top Cap
5. Corner Joint
6. Leg Tube
7. Foot

PALMER MODULAR ASSEMBLY FEATURES

All Palmer washstands are shipped partially assembled, and many, but not all, can be easily cut on-site to reduce the size.

As shown, the legs are fully factory assembled, so only the Horizontal Front Crossbar and Wall Return Crossbars need to be assembled on-site.

Every Palmer washstand includes a complete hardware package for efficient installation.

8. Shelf (optional)
9. Floor Pin
10. Shelf Support Tee Joint (optional)
11. Shelf Support Ring (optional)
12. Shelf Support Tube (optional)
13. Wall Return Crossbar
14. Wall Flange
15. Counter Pin

Table of Contents

click on a page # to navigate

The Palmer Story	5
Custom Sizing	6
Custom Designs	7
Precision Engineering	8
<i>Classic Collection</i>	
T Tapered Foot	13
C Decorative Collar	14
BL Ball Foot	15
B Bun Foot	16
<i>Traditional Collection</i>	
E Essex	17
W Westport	18
CAP Capital	19
K Kingston	20
V Victorian	21
REN Renaissance	22
P Providence	23
<i>Modern Collection</i>	
S Studio	24
M Minimal	25
MET Metro	26
MOD Modern	27
SQ Square	28
L Linear	29
J Jamestown	30
<i>Wall Mount Collection</i>	
REG Regency	31
A Apex	32
Finishes & Materials	34
Shelving & Supports	36
Options & Accessories	38
China Sinks	40
Anatomy of a Leg System	41
Contact Information	42

PALMER INDUSTRIES

CUSTOM SINK LEG SOLUTIONS



Palmer Industries, Inc.
862R Charles Street - Suite A
North Providence, RI 02904
USA

Toll-free: 800-398-9676
Phone: 401-421-1730
Fax: 401-421-4238

Info@sinklegs.com
sinklegs.com
palmerindustries.com

American Manufacturing



Providence, Rhode Island

© 2017 Palmer Industries Inc. all rights reserved