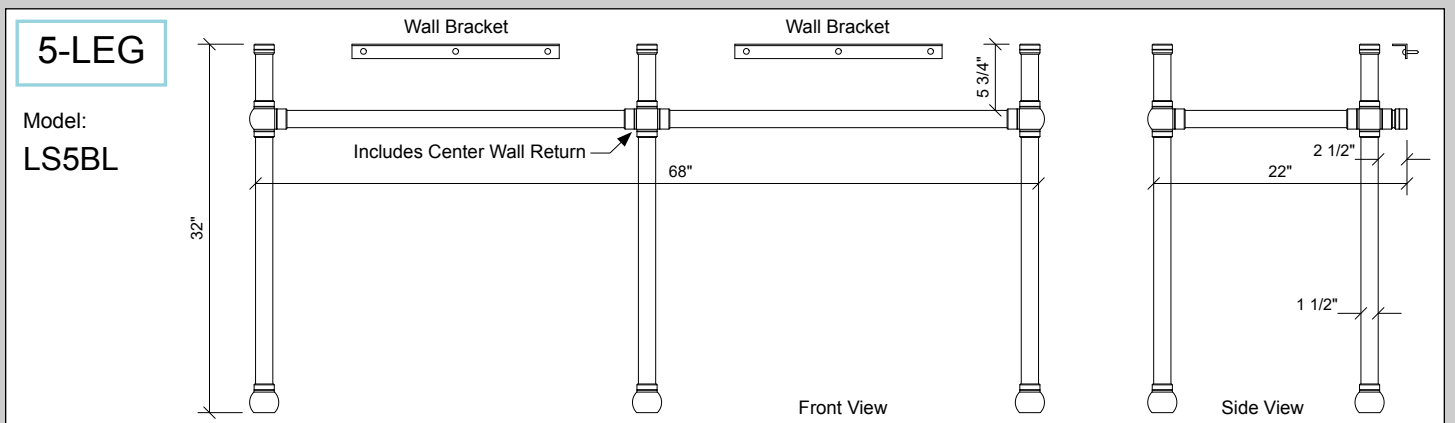
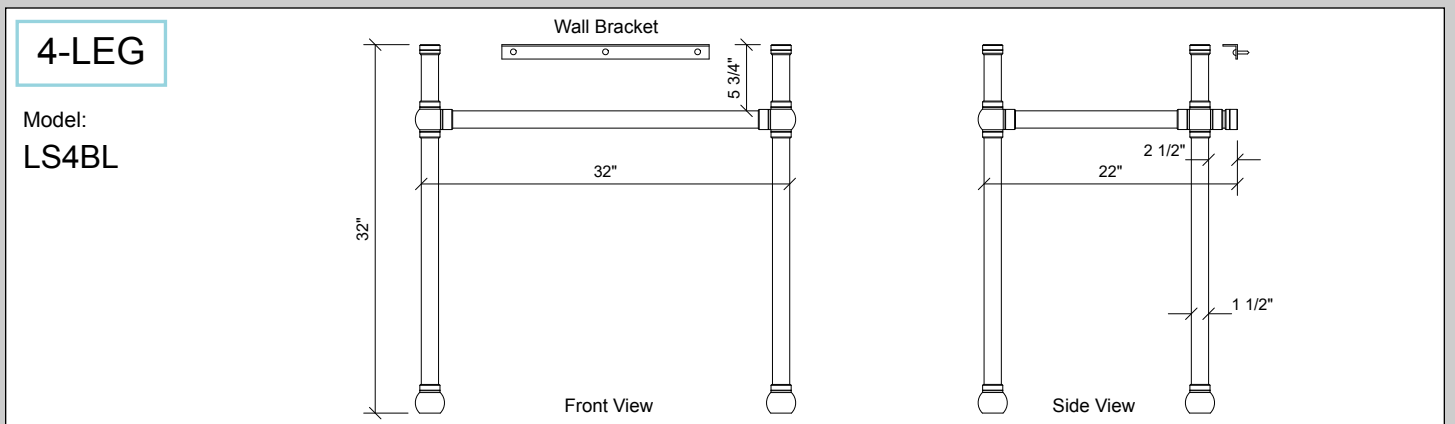
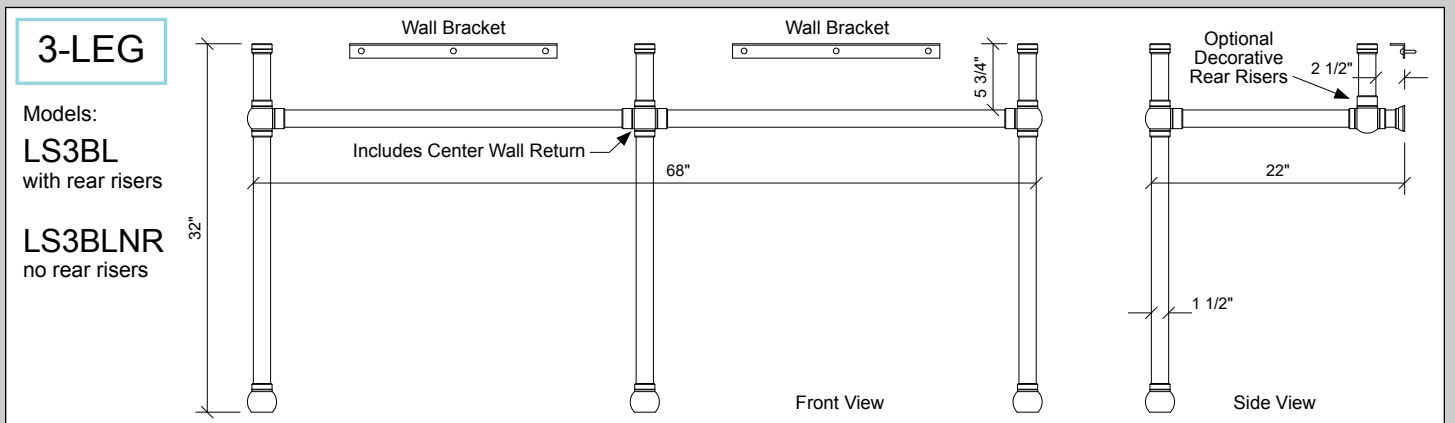
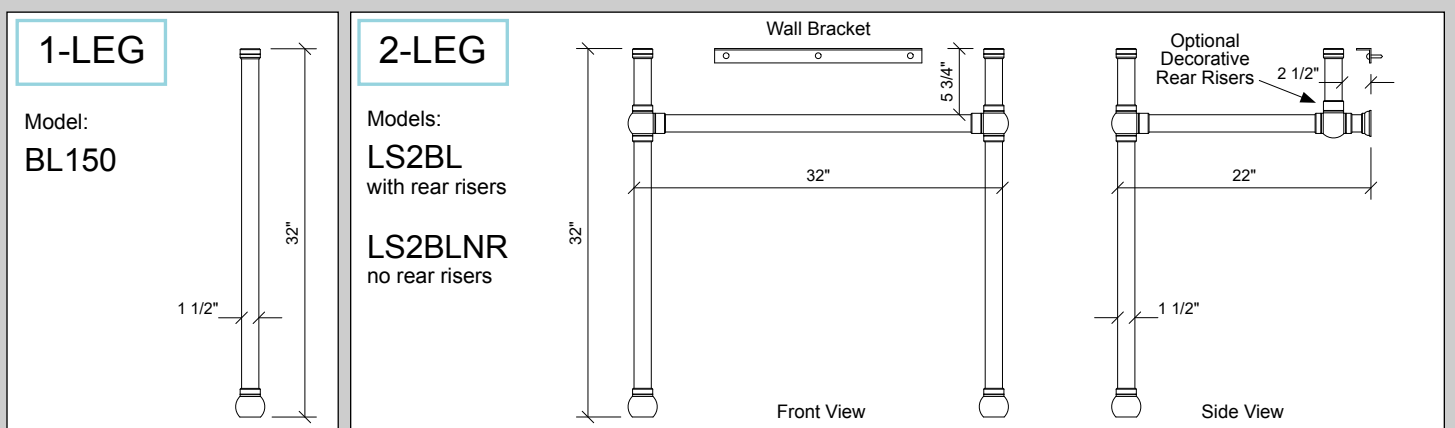


**Specifications shown below represent standard sizes only.
Palmer Leg Systems are custom built to ANY dimensions.**

see next page for 1.0" diameter Ball Foot

[Download DXF Drawing File](#)



**Specifications shown below represent standard sizes only.
Palmer Leg Systems are custom built to ANY dimensions.**

see previous page for 1.5" diameter Ball Foot

[Download DXF Drawing File](#)

