

PALMER SPECIFICATION DRAWINGS



Providence



Click on a name to go there...

Classic Collection

- T** Tapered Foot - 1.0" dia
Tapered Foot - 1.5" dia
- C** Decorative Collar - 1.0" dia
Decorative Collar - 1.5" dia
- BL** Ball Foot - 1.0" dia
Ball Foot - 1.5" dia
- B** Bun Foot - 1.0" dia
Bun Foot - 1.5" dia

Traditional Collection

- E** Essex
- W** Westport
- CAP** Capital
- K** Kingston
- V** Victorian
- REN** Renaissance
- P** Providence

Modern Collection

- S** Studio - 1.0" dia
Studio - 1.5" dia
- M** Minimal
- MET** Metro - 1.0" dia
Metro - 1.5" dia
- MOD** Modern
- SQ** Square
- L** Linear
- J** Jamestown

Wall Mount Collection

- REG** Regency
- A** Apex

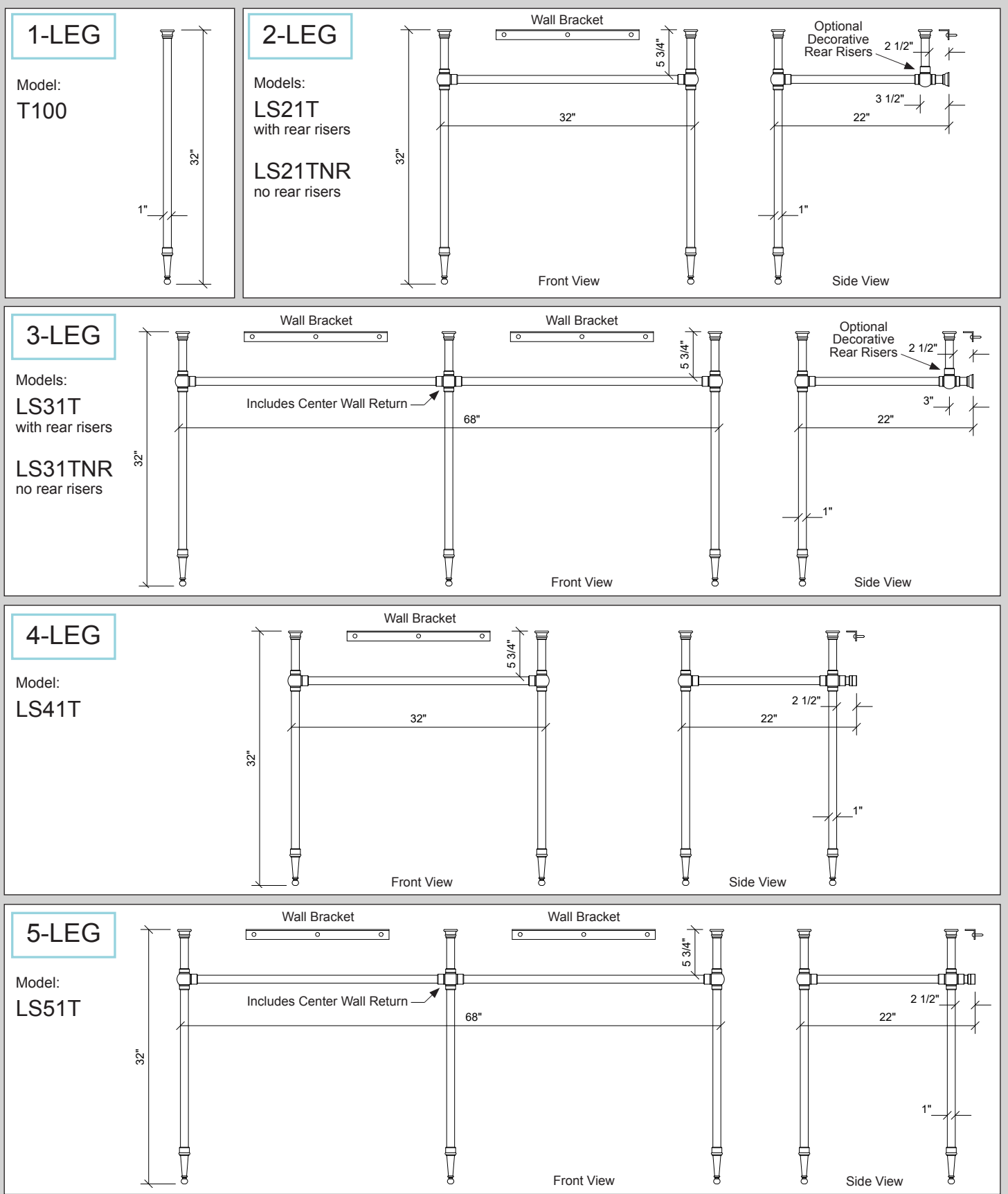


**Specifications shown below represent standard sizes only.
Palmer Leg Systems are custom built to ANY dimensions.**

[go back to index](#)

see previous page for 1.5" diameter Tapered Foot

[Download DXF Drawing File](#)



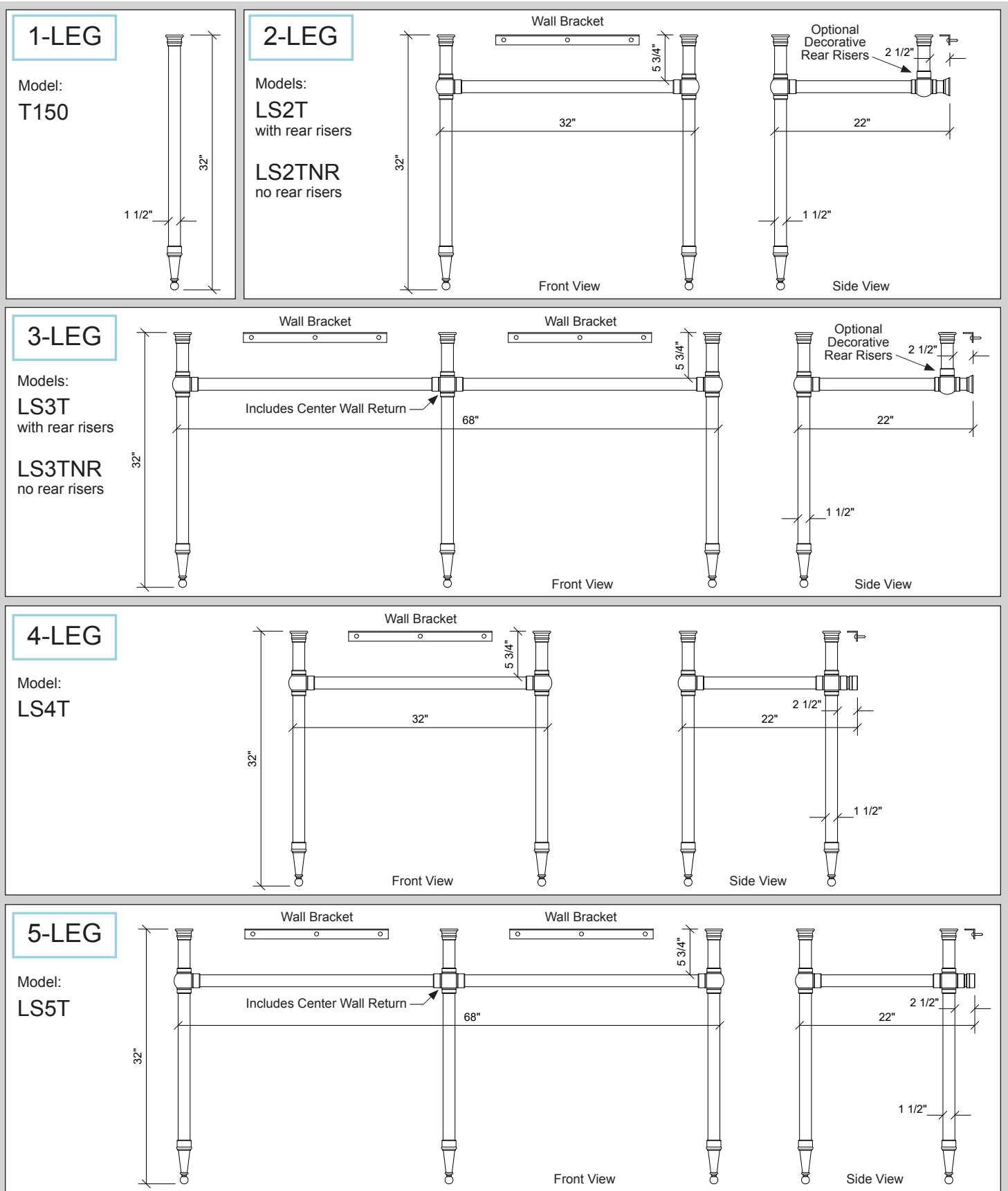


**Specifications shown below represent standard sizes only.
Palmer Leg Systems are custom built to ANY dimensions.**

[go back to index](#)

see next page for 1.0" diameter Tapered Foot

[Download DXF Drawing File](#)

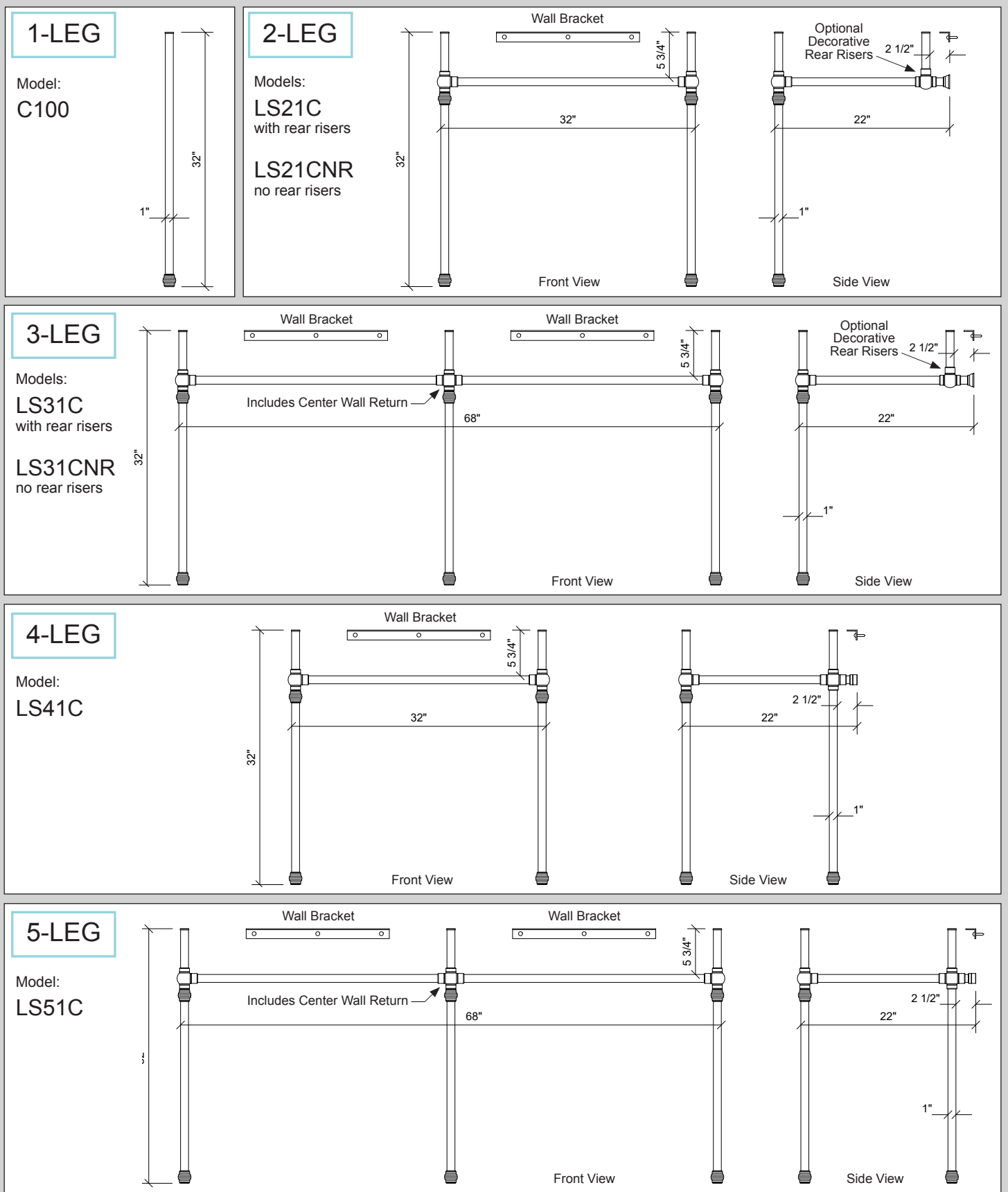


**Specifications shown below represent standard sizes only.
Palmer Leg Systems are custom built to ANY dimensions.**

[go back to index](#)

see previous page for 1.5" diameter Decorative Collar

[Download DXF Drawing File](#)

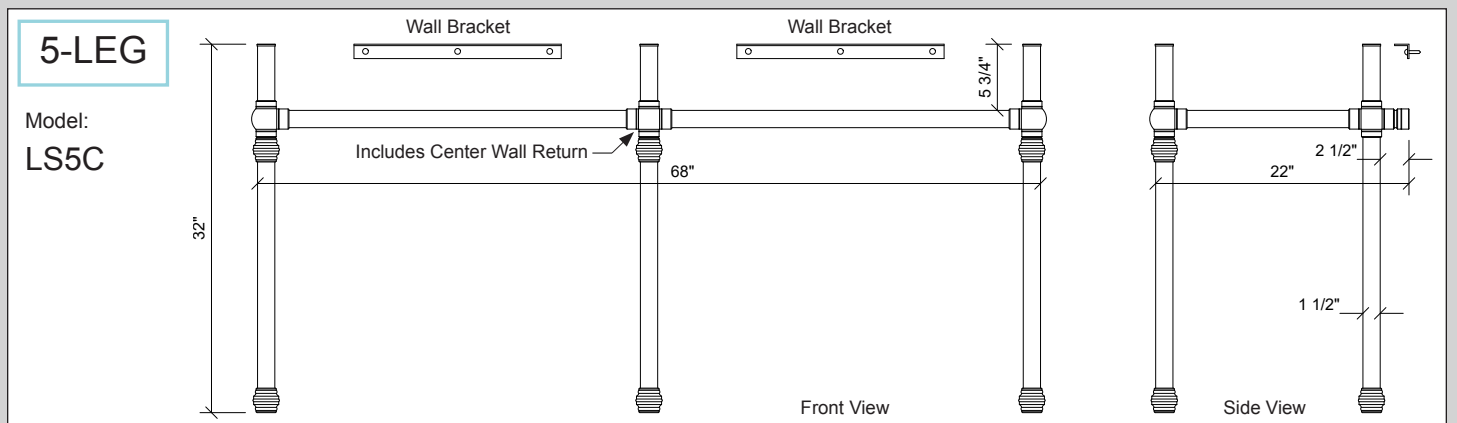
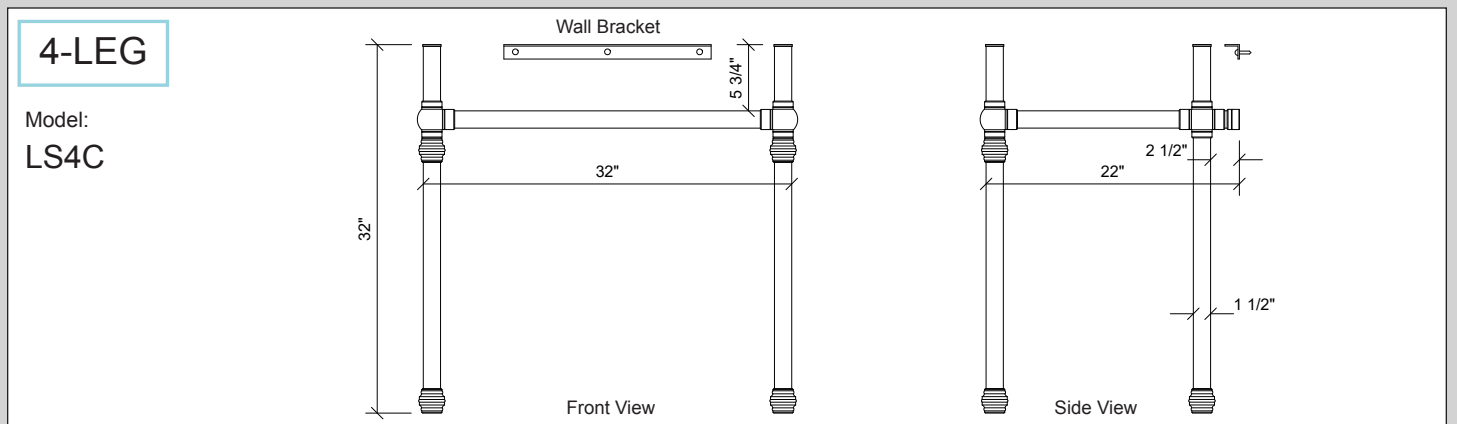
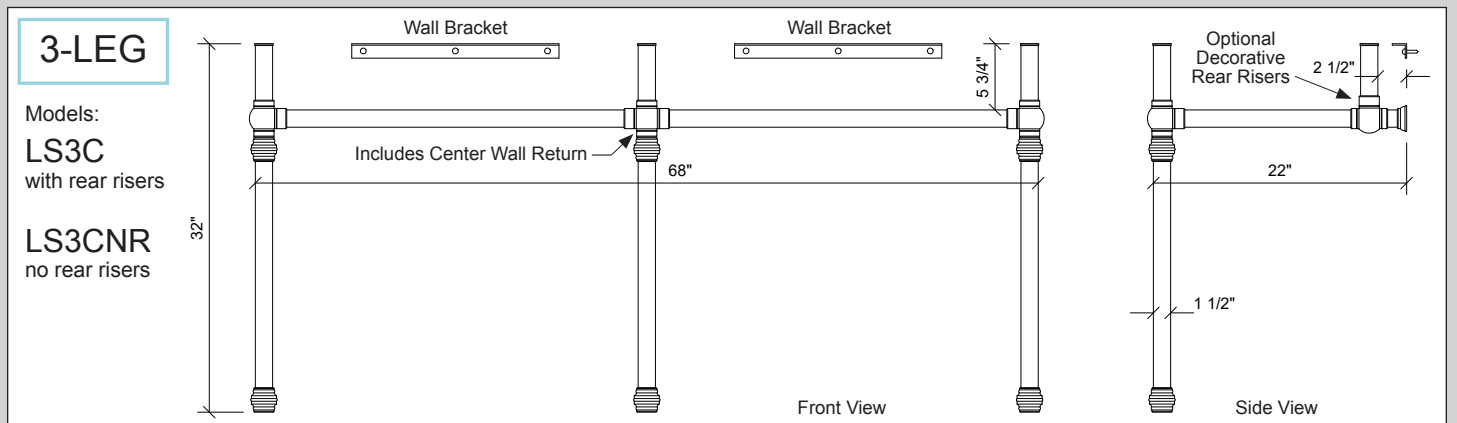
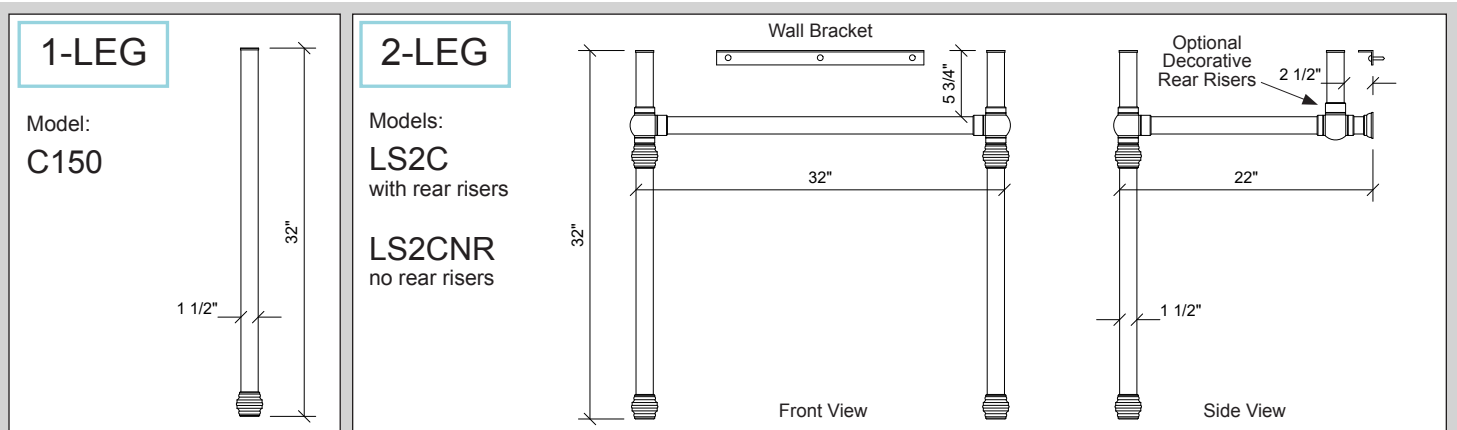


**Specifications shown below represent standard sizes only.
Palmer Leg Systems are custom built to ANY dimensions.**

[go back to index](#)

see next page for 1.0" diameter Decorative Collar

[Download DXF Drawing File](#)

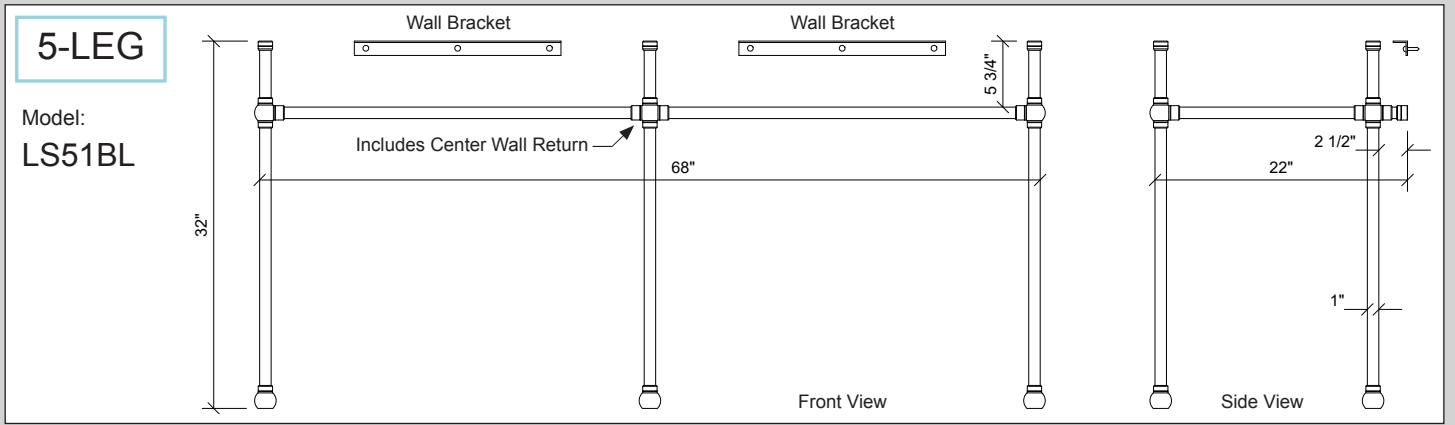
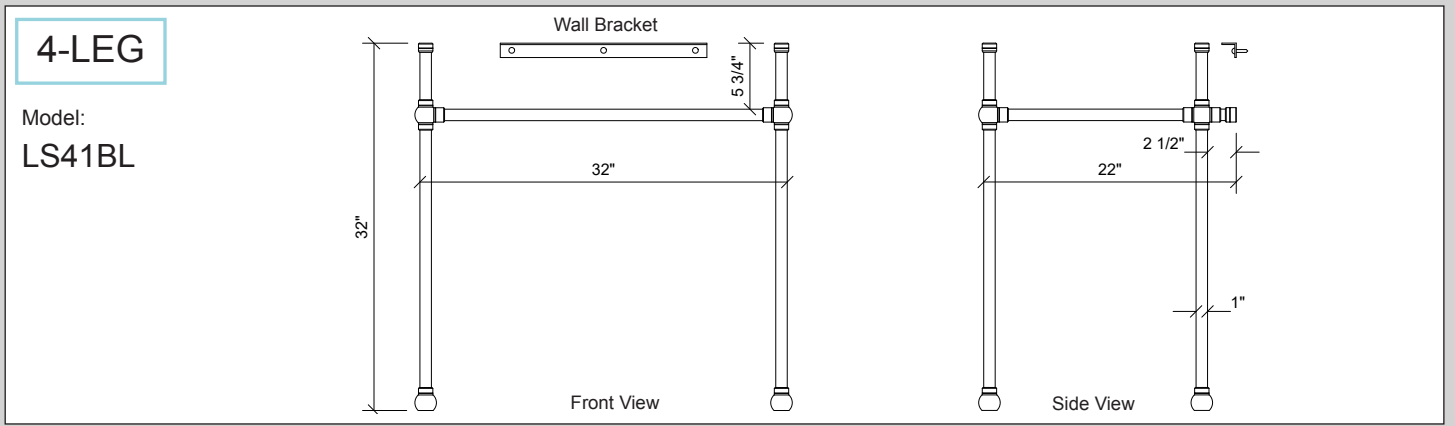
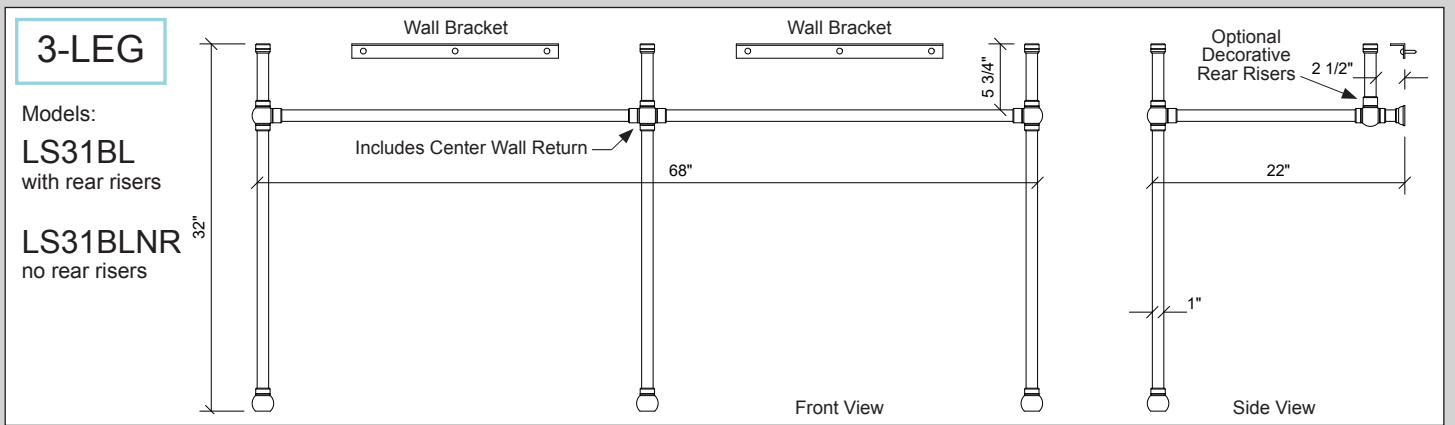
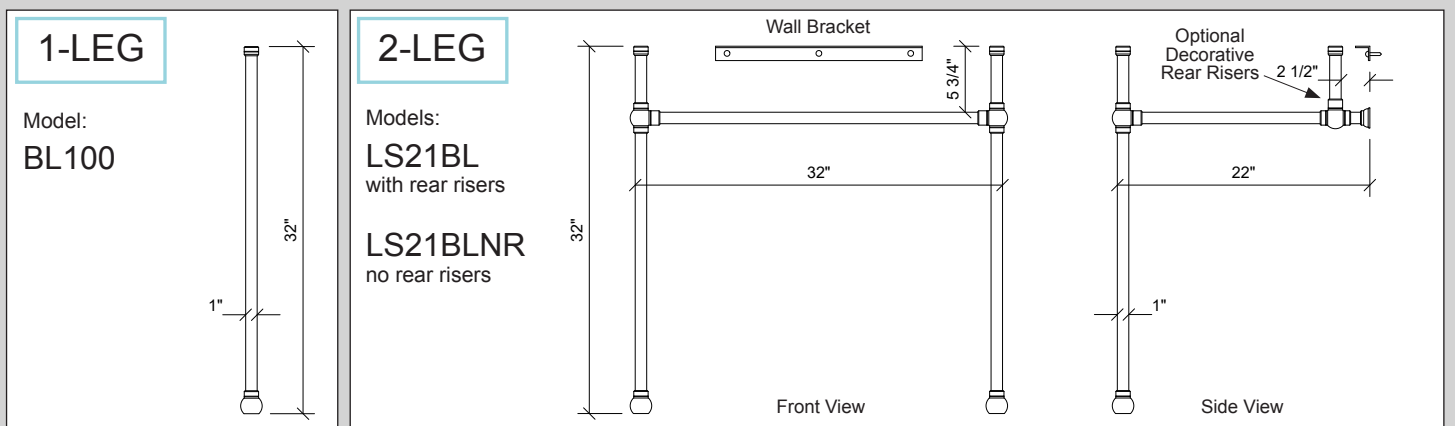


**Specifications shown below represent standard sizes only.
Palmer Leg Systems are custom built to ANY dimensions.**

[go back to index](#)

see previous page for 1.5" diameter Ball Foot

[Download DXF Drawing File](#)

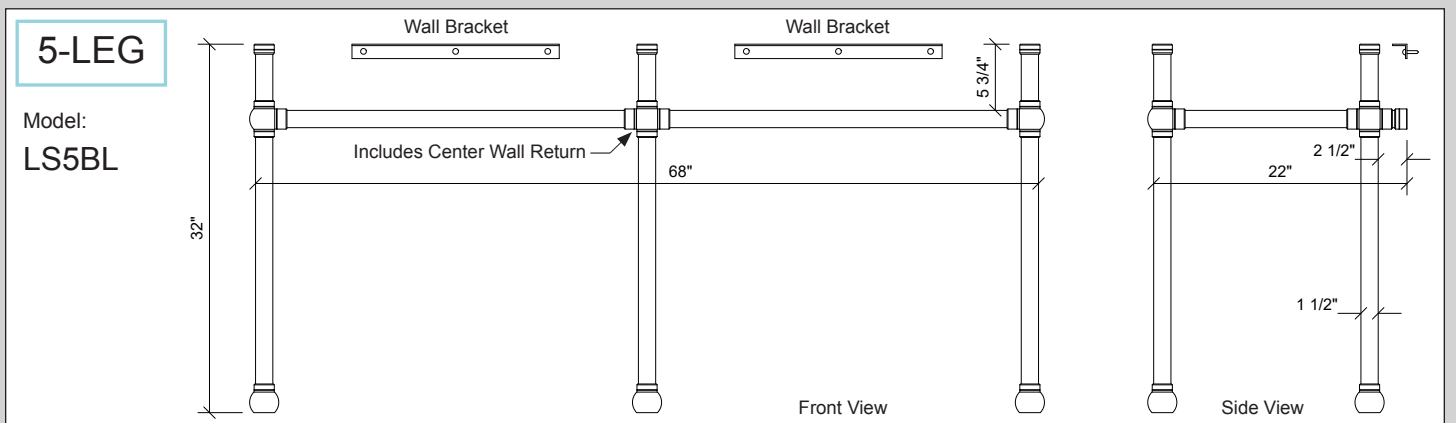
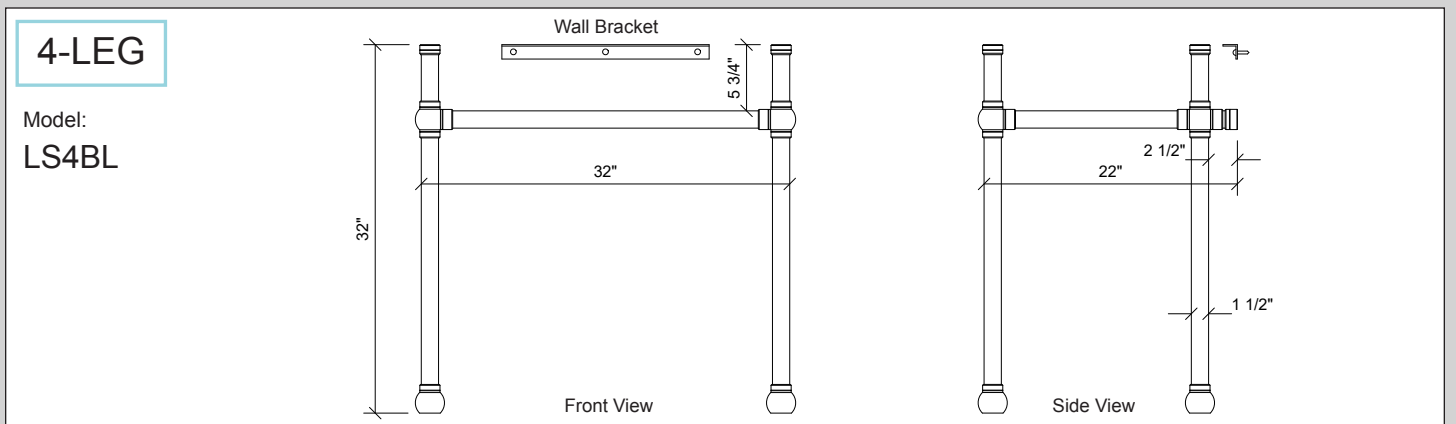
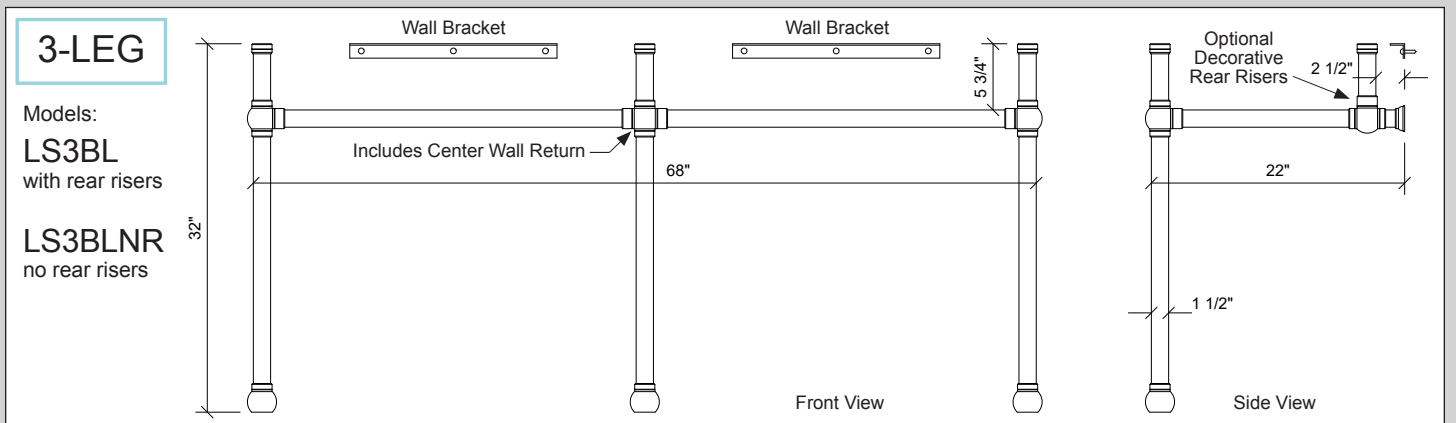
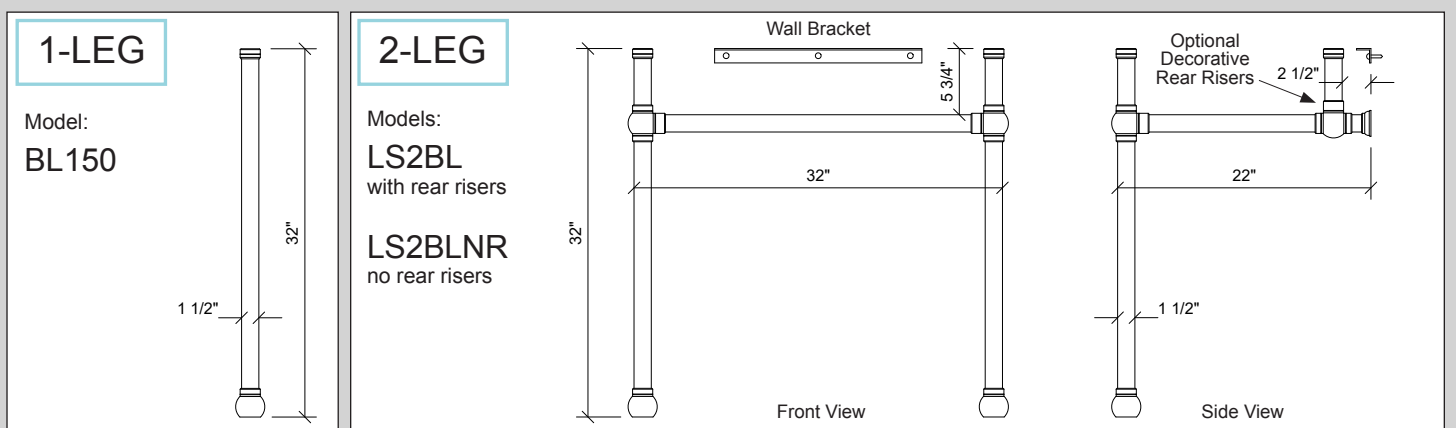


**Specifications shown below represent standard sizes only.
Palmer Leg Systems are custom built to ANY dimensions.**

[go back to index](#)

see next page for 1.0" diameter Ball Foot

[Download DXF Drawing File](#)

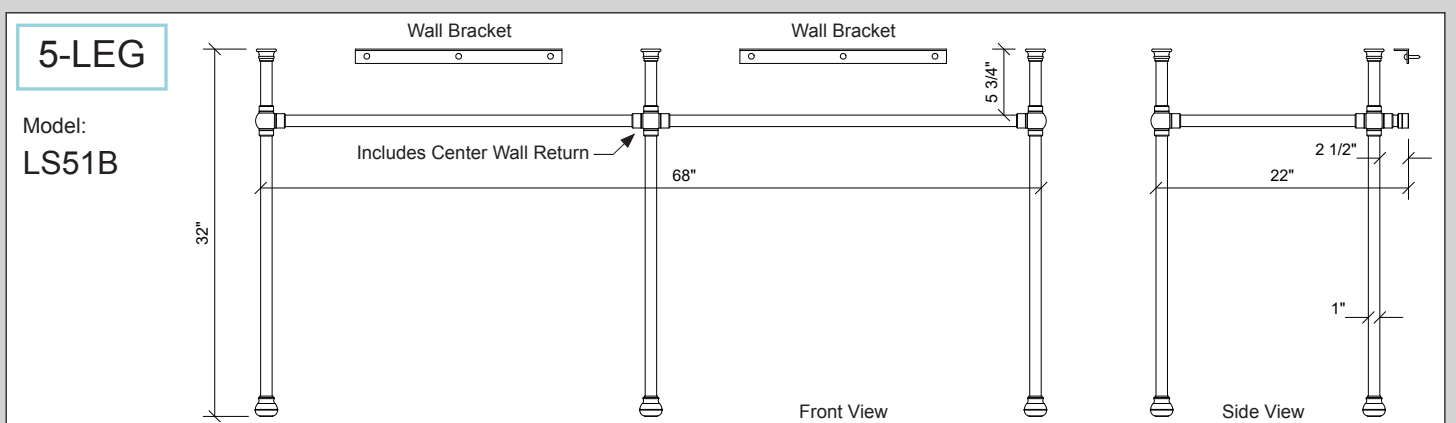
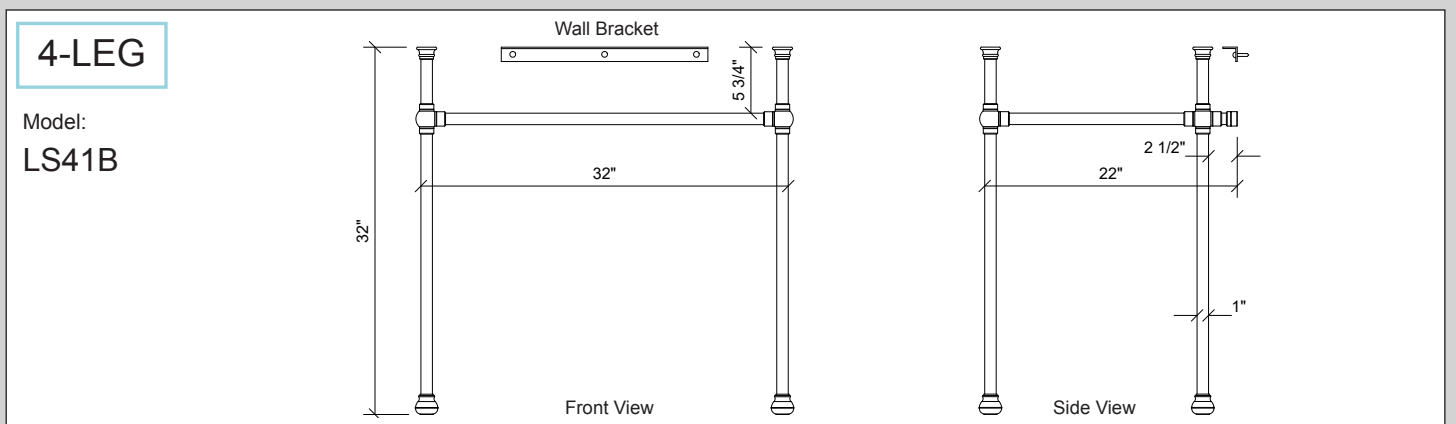
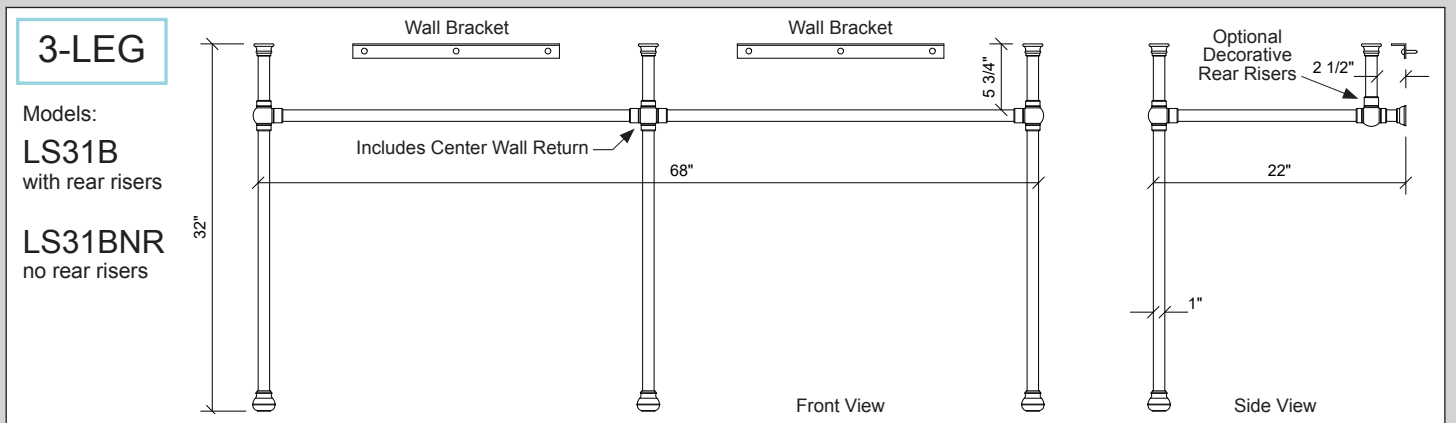
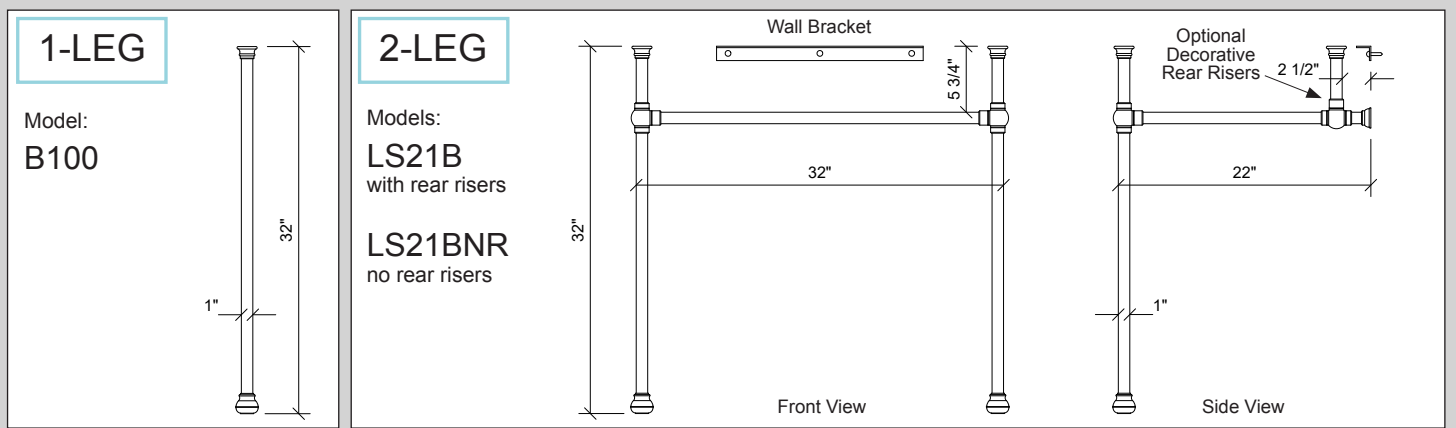


**Specifications shown below represent standard sizes only.
Palmer Leg Systems are custom built to ANY dimensions.**

[go back to index](#)

see previous page for 1.5" diameter Bun Foot

[Download DXF Drawing File](#)

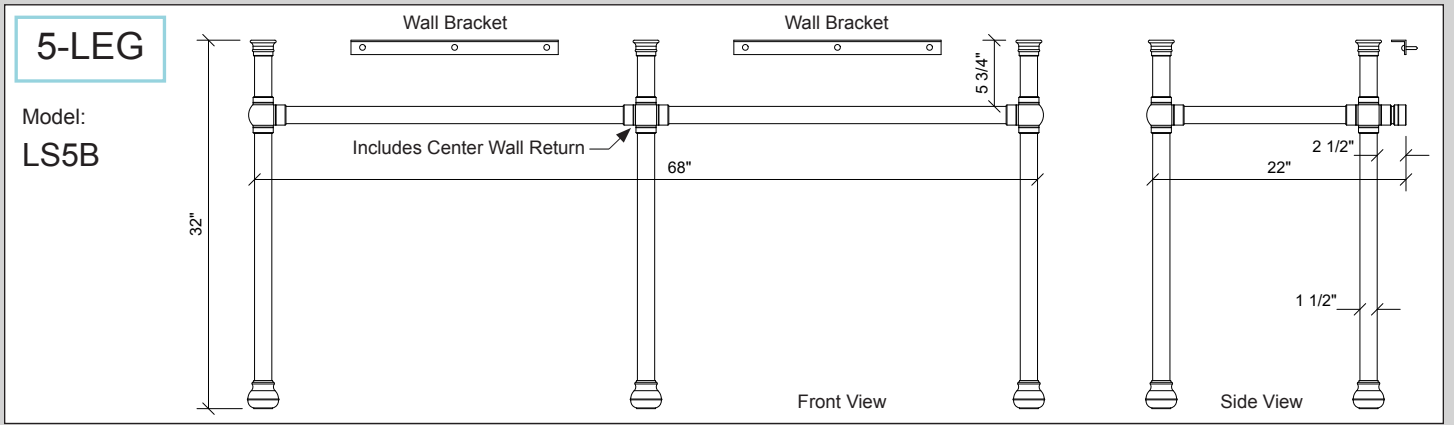
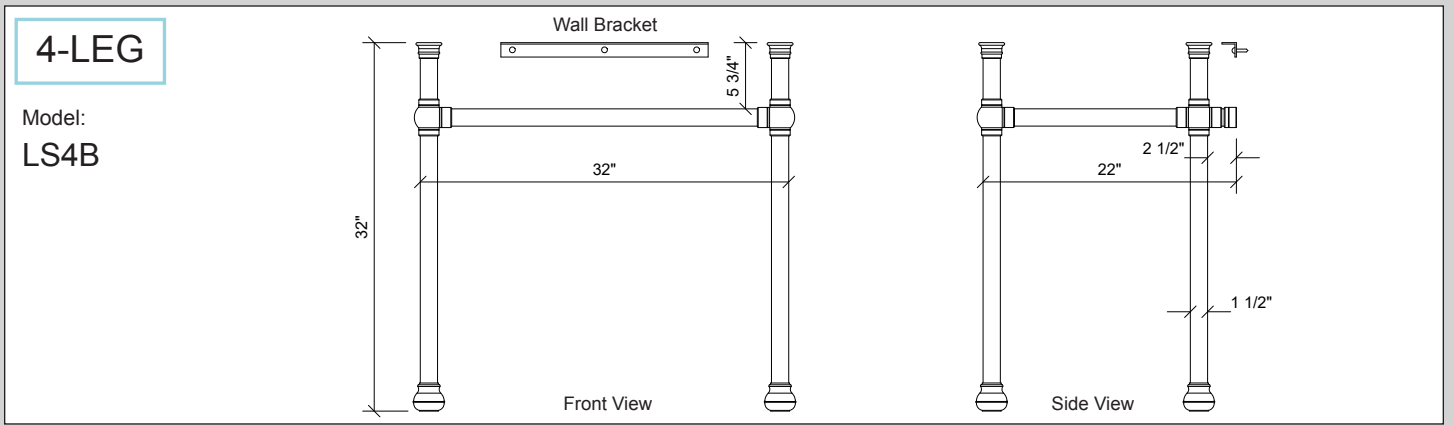
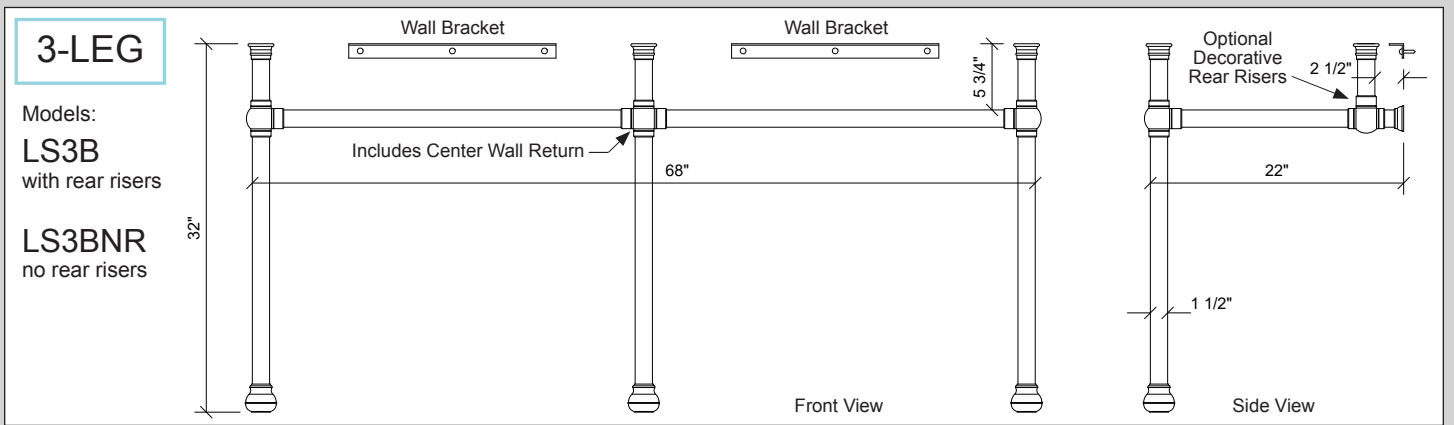
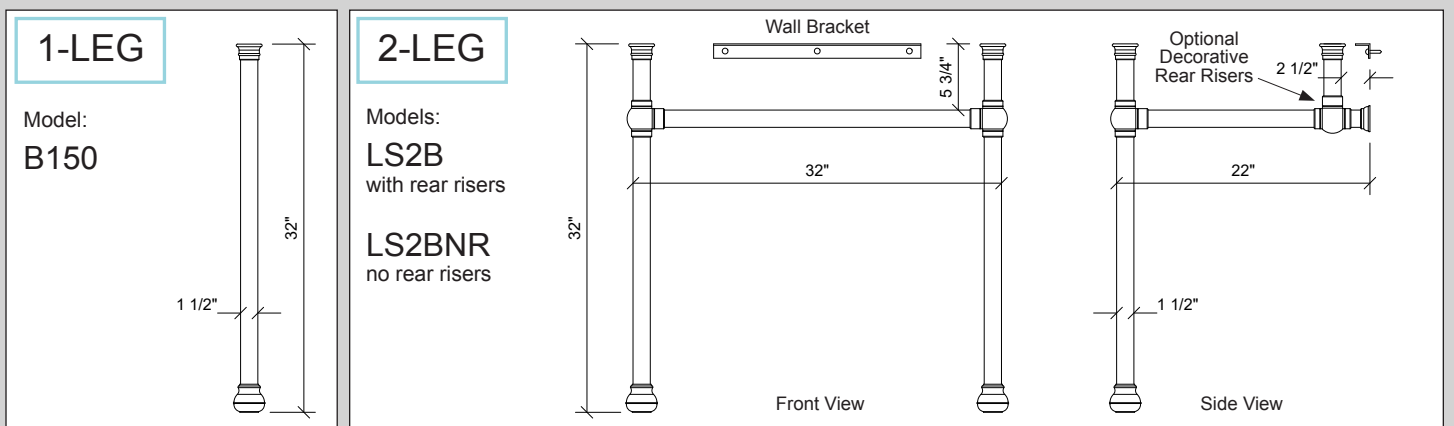


**Specifications shown below represent standard sizes only.
Palmer Leg Systems are custom built to ANY dimensions.**

[go back to index](#)

see next page for 1.0" diameter Bun Foot

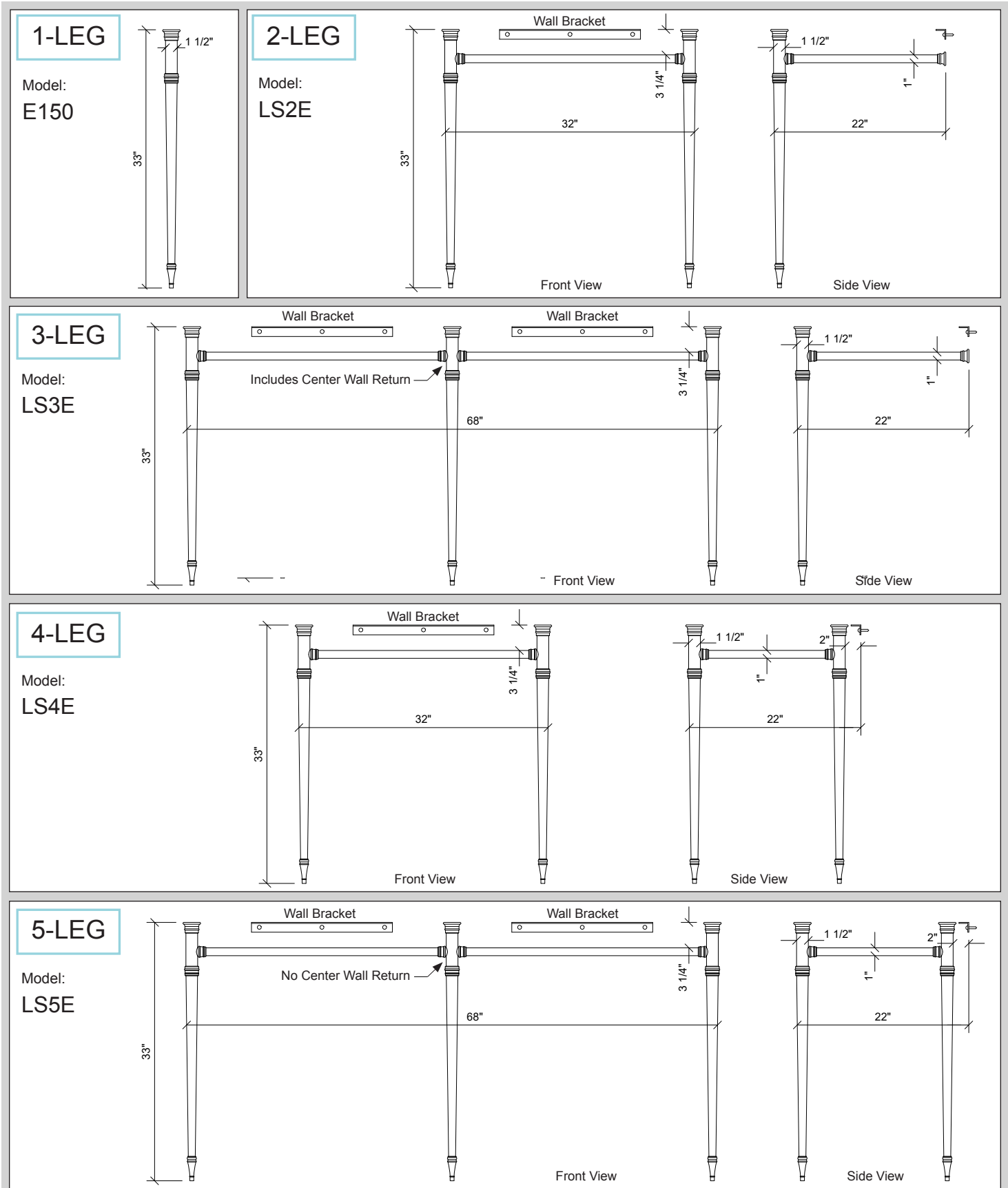
[Download DXF Drawing File](#)



**Specifications shown below represent standard sizes only.
Palmer Leg Systems are custom built to ANY dimensions.**

[go back to index](#)

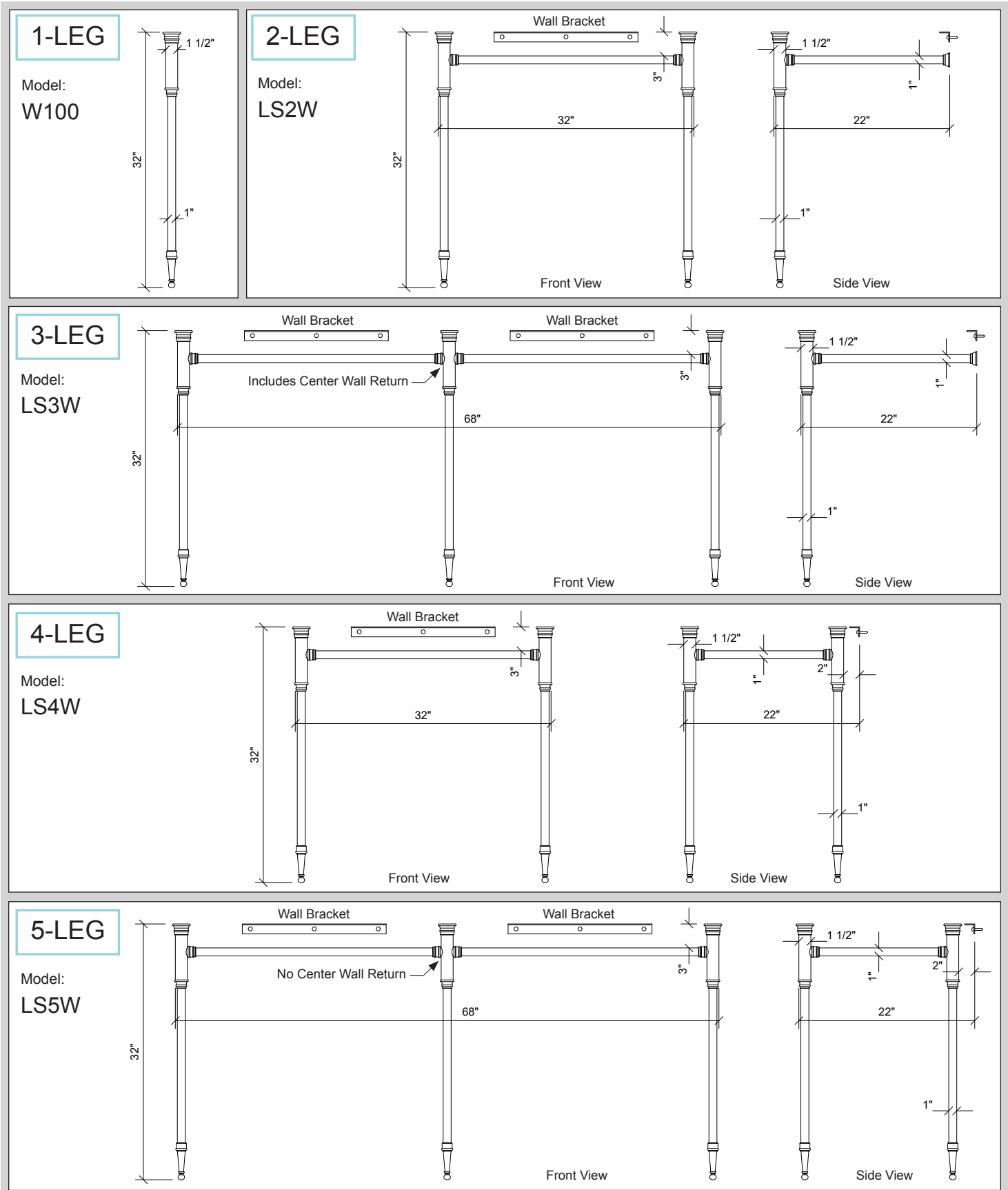
[Download DXF Drawing File](#)



**Specifications shown below represent standard sizes only.
Palmer Leg Systems are custom built to ANY dimensions.**

[go back to index](#)

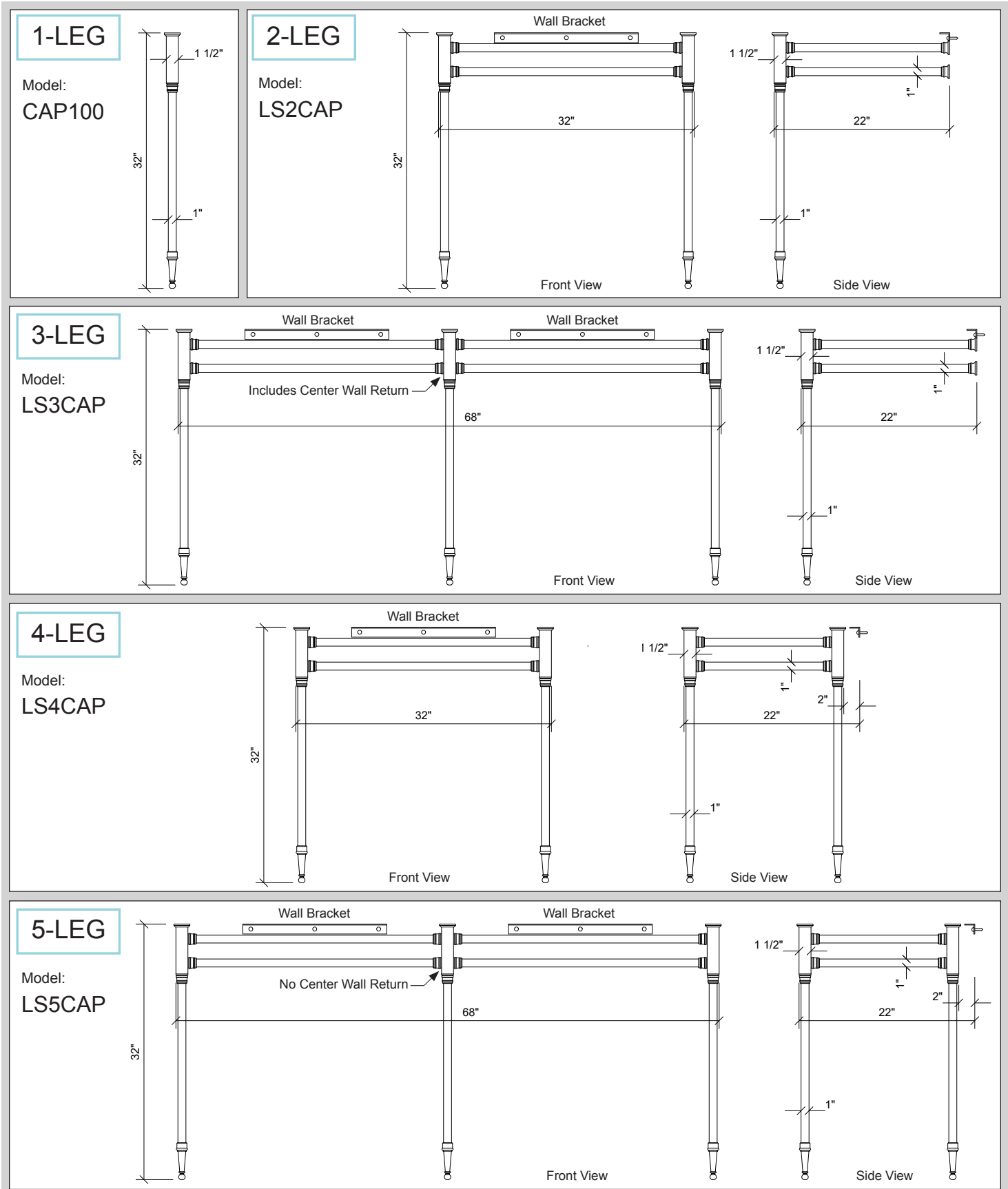
[Download DXF Drawing File](#)



**Specifications shown below represent standard sizes only.
Palmer Leg Systems are custom built to ANY dimensions.**

[go back to index](#)

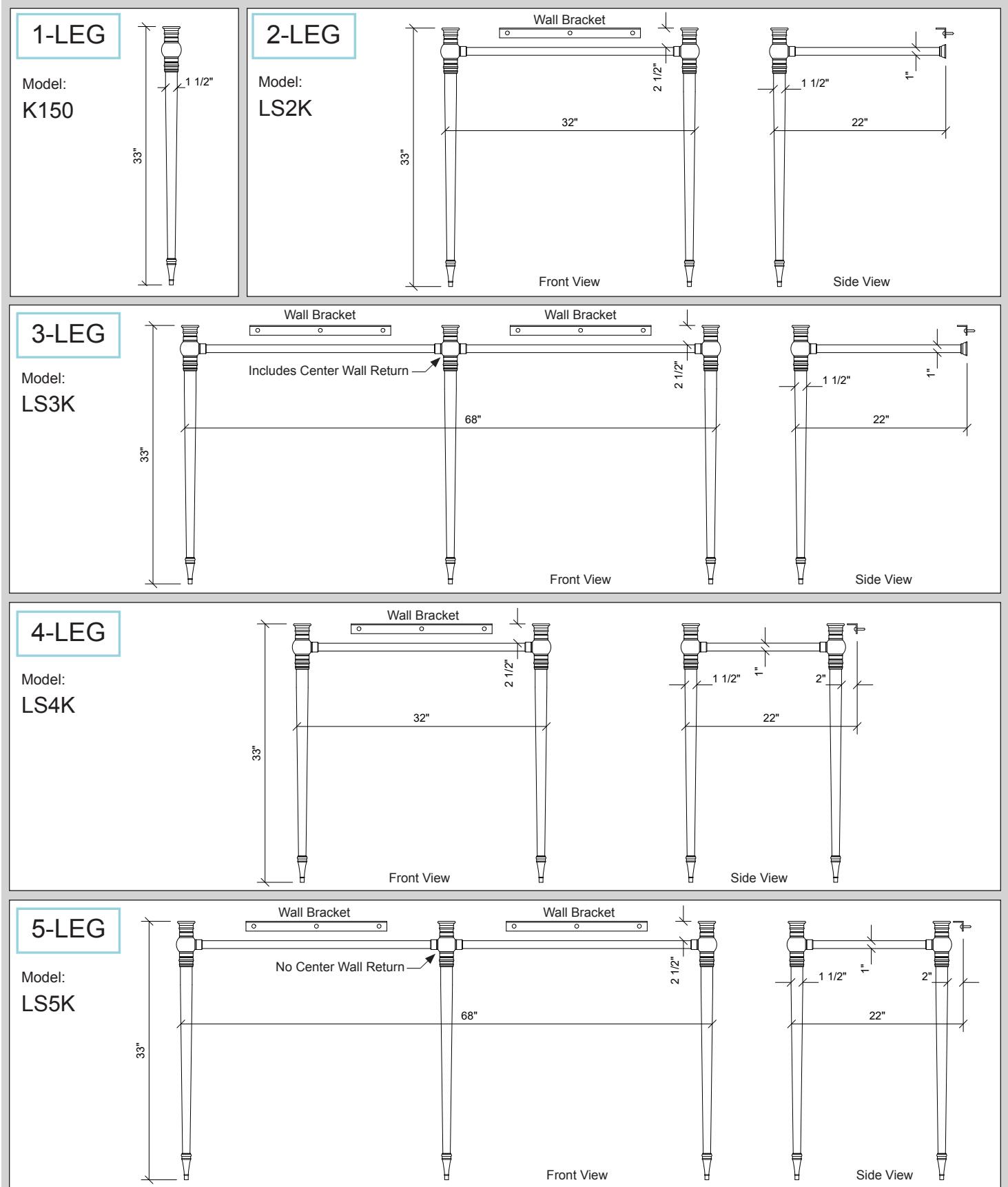
[Download DXF Drawing File](#)



**Specifications shown below represent standard sizes only.
Palmer Leg Systems are custom built to ANY dimensions.**

[go back to index](#)

[Download DXF Drawing File](#)

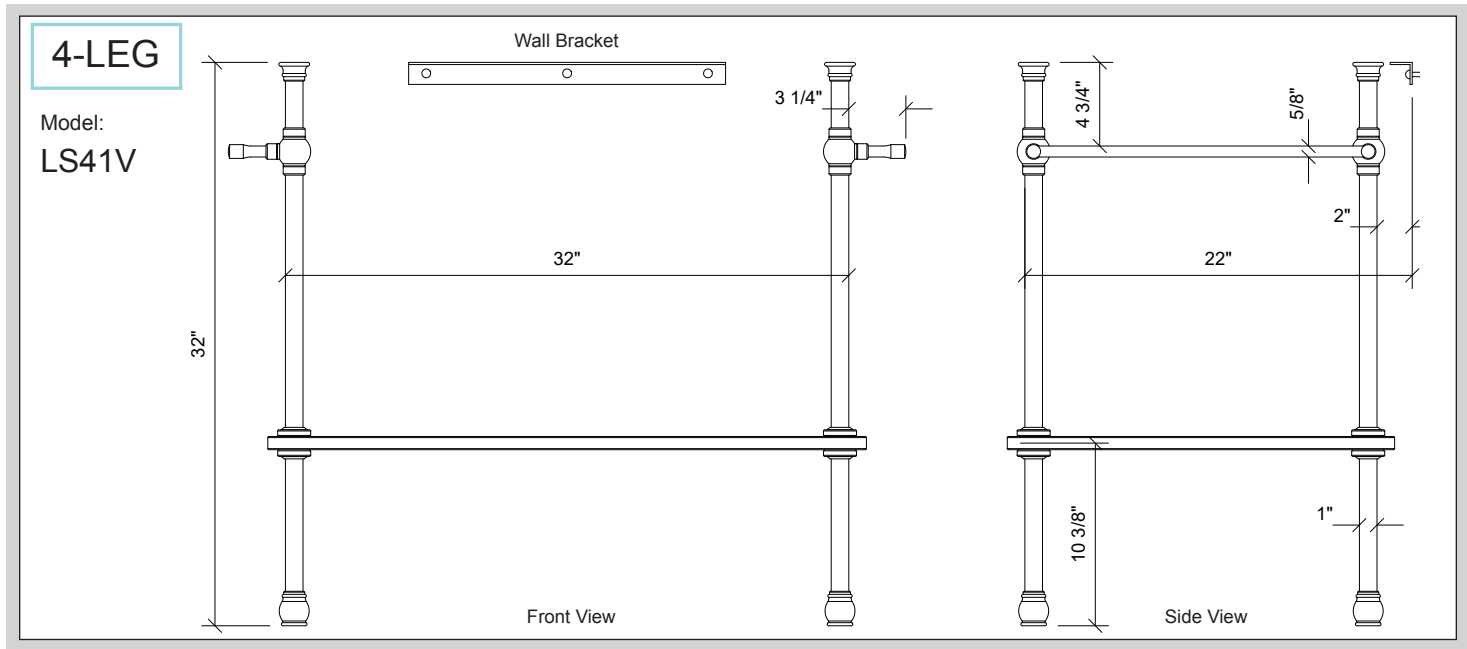




**Specifications shown below represent standard sizes only.
Palmer Leg Systems are custom built to ANY dimensions.**

[go back to index](#)

[Download DXF Drawing File](#)



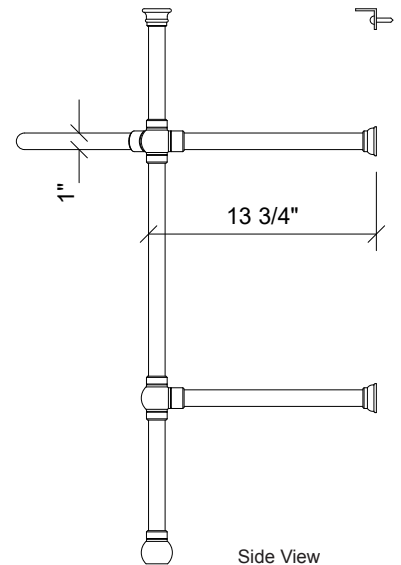
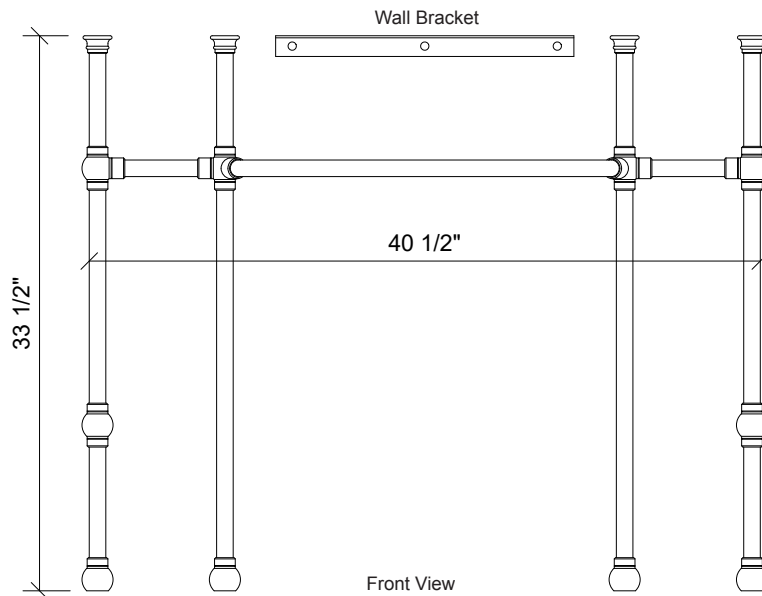
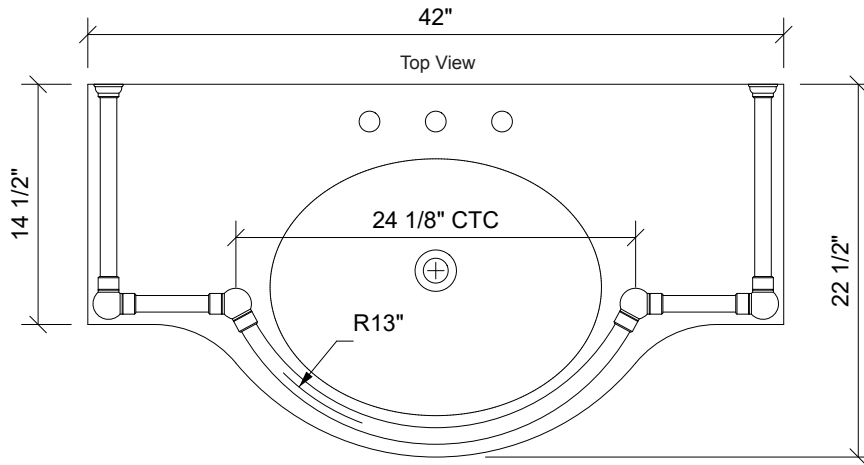
**Specifications shown below represent standard sizes only.
Palmer Leg Systems are custom built to ANY dimensions.**

[go back to index](#)

[Download DXF Drawing File](#)

4-LEG

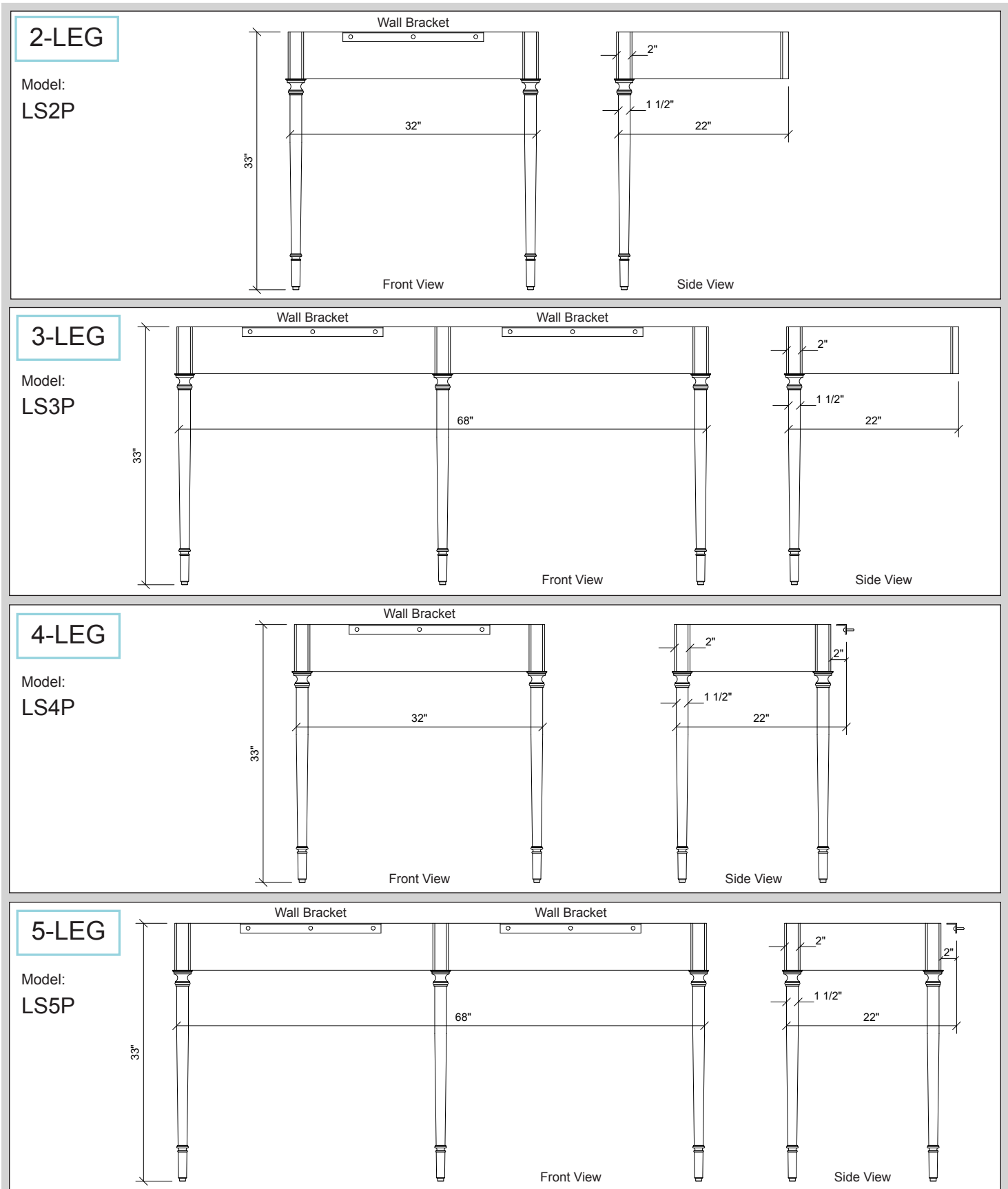
Model:
LS41REN



**Specifications shown below represent standard sizes only.
Palmer Leg Systems are custom built to ANY dimensions.**

[go back to index](#)

[Download DXF Drawing File](#)

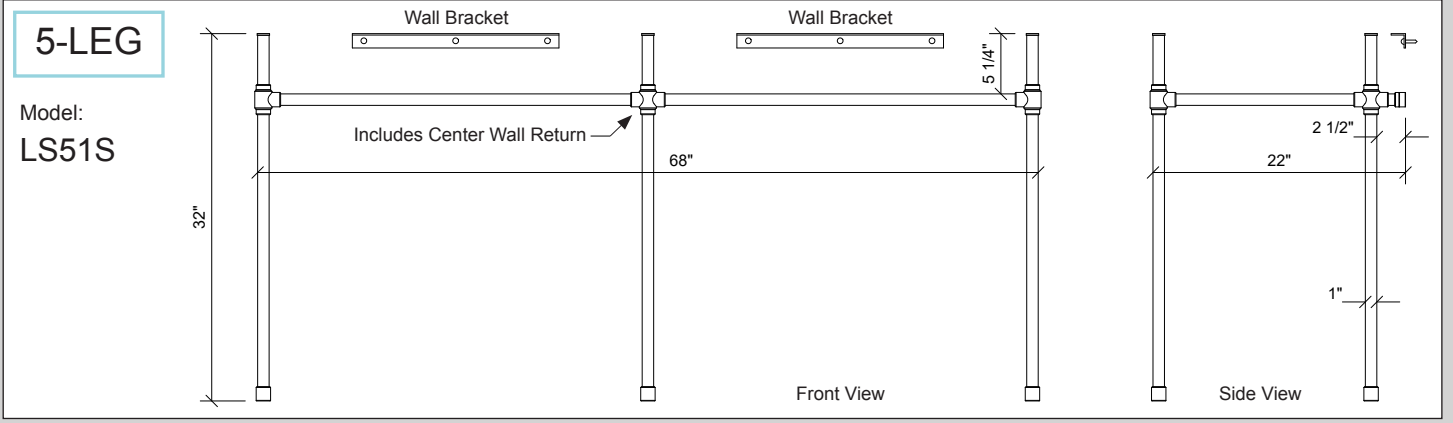
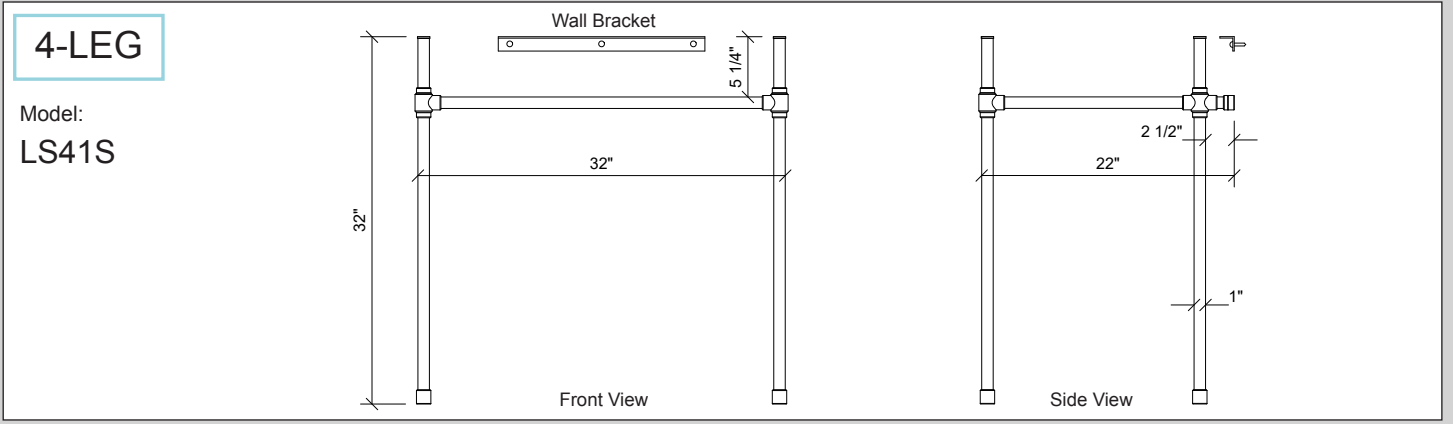
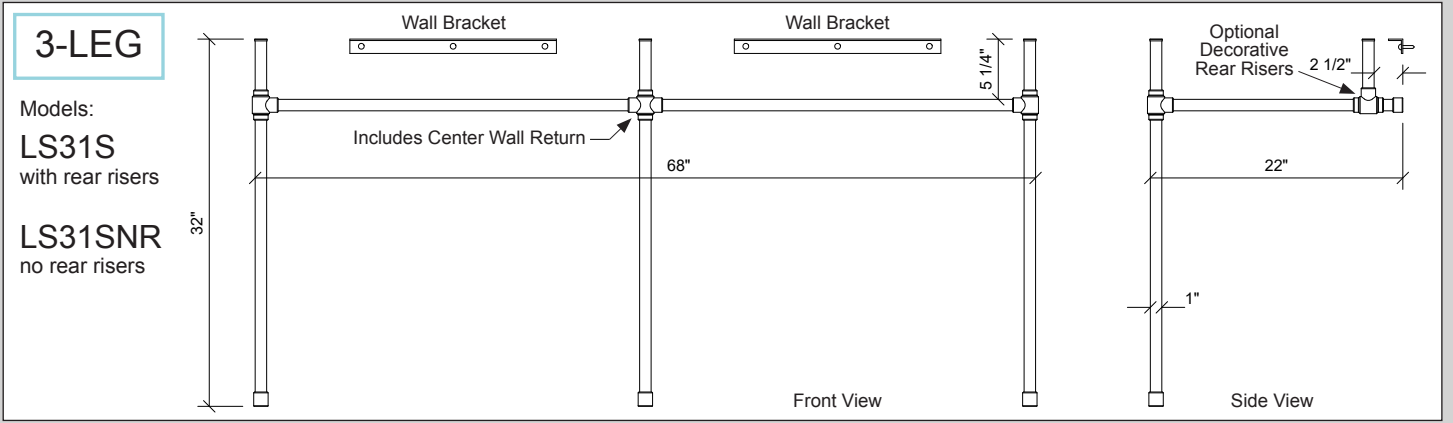
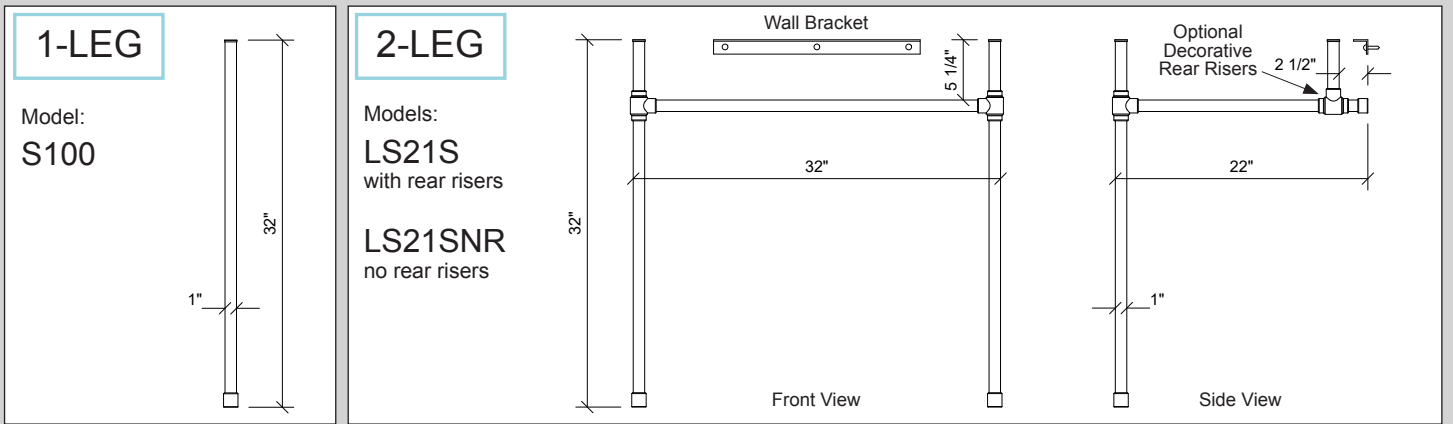


**Specifications shown below represent standard sizes only.
Palmer Leg Systems are custom built to ANY dimensions.**

[go back to index](#)

see previous page for 1.5" diameter Decorative Collar

[Download DXF Drawing File](#)

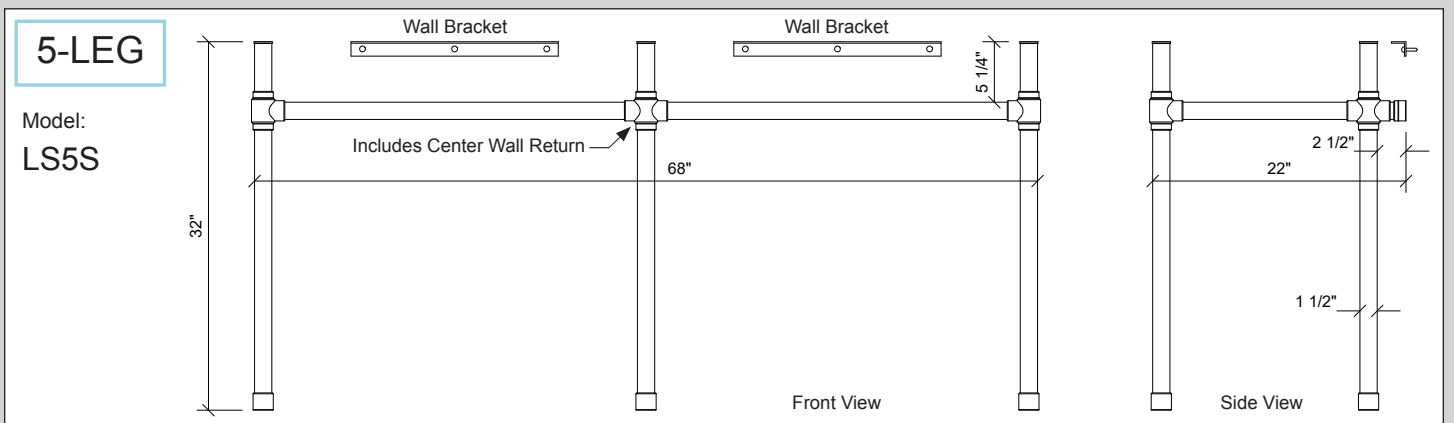
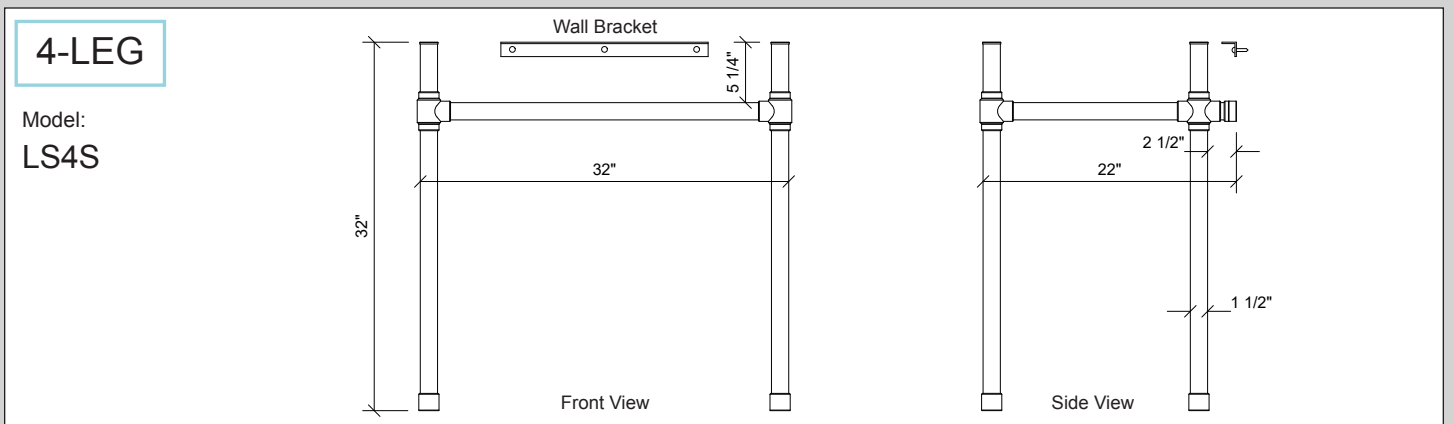
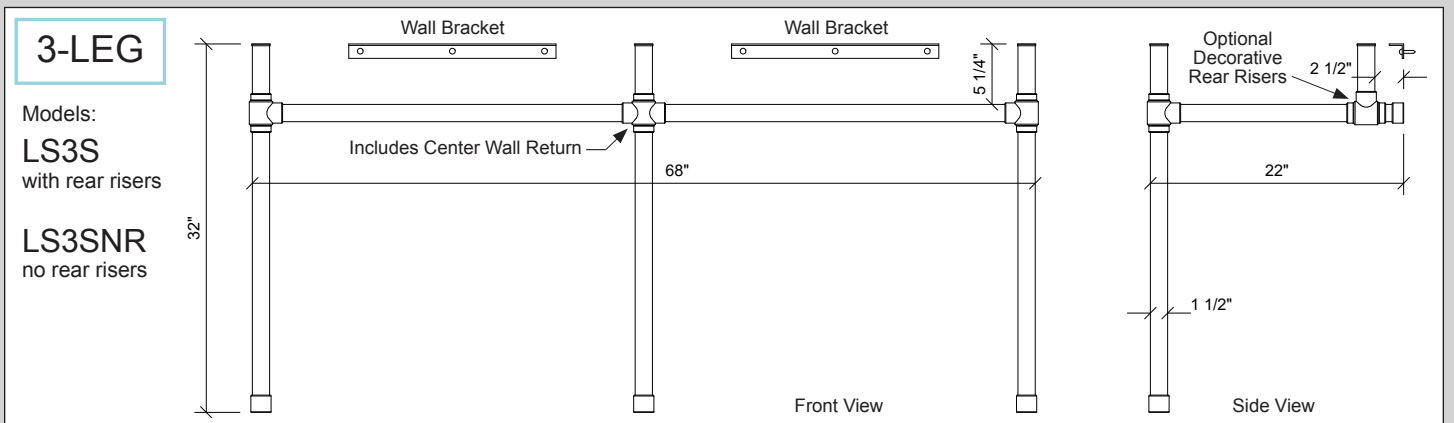
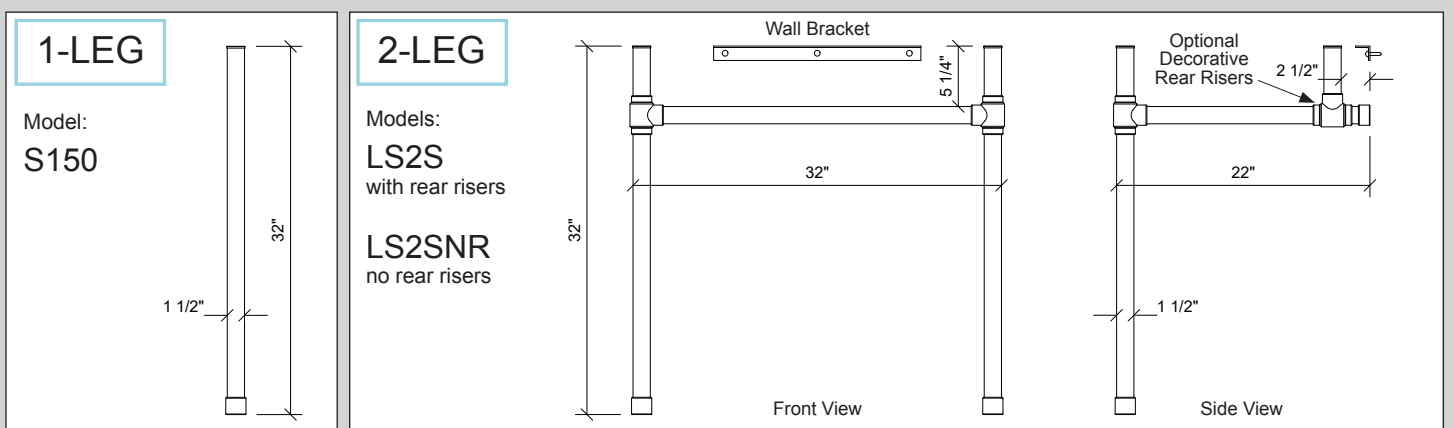


**Specifications shown below represent standard sizes only.
Palmer Leg Systems are custom built to ANY dimensions.**

[go back to index](#)

see next page for 1.0" diameter Studio

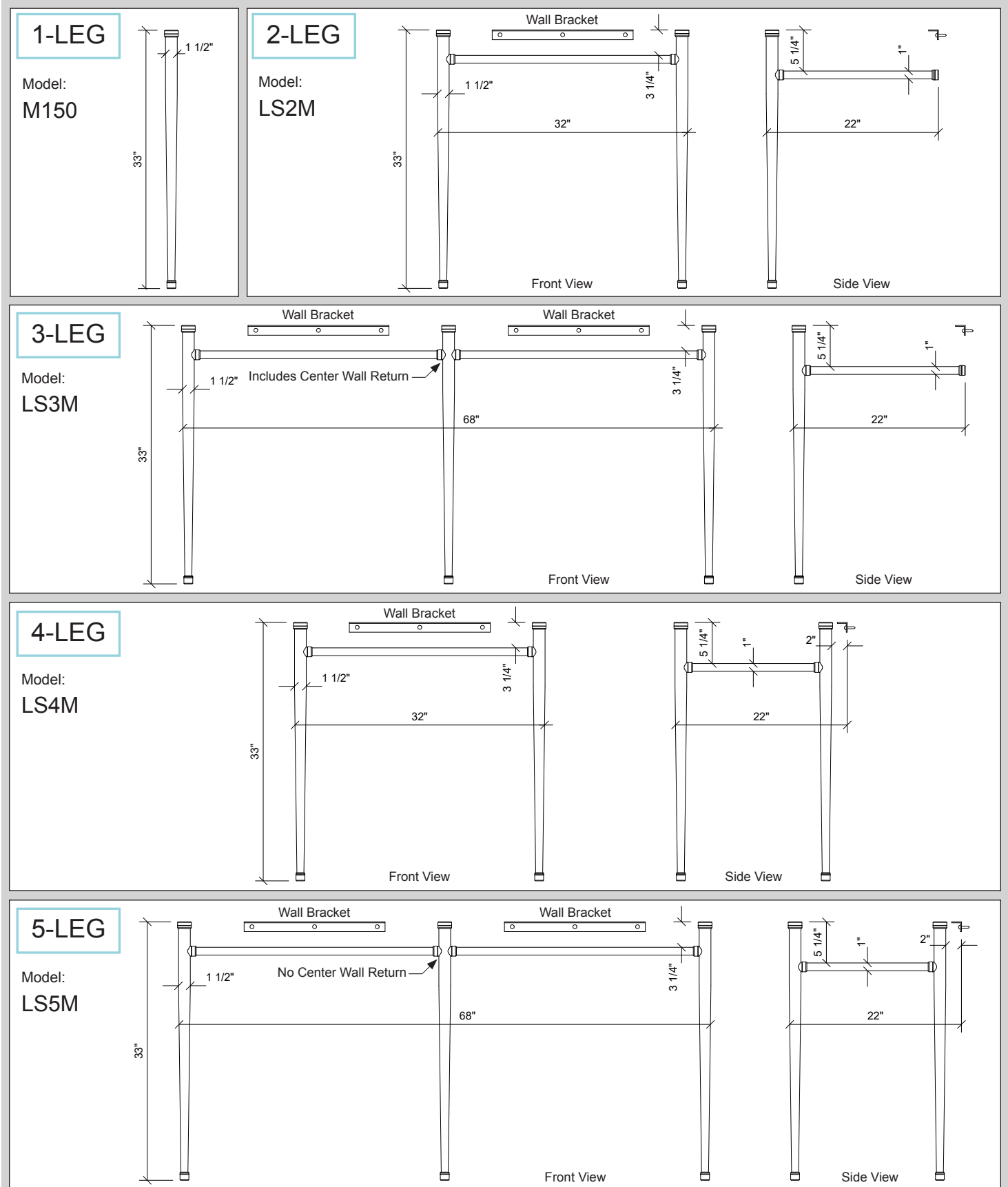
[Download DXF Drawing File](#)



**Specifications shown below represent standard sizes only.
Palmer Leg Systems are custom built to ANY dimensions.**

[go back to index](#)

[Download DXF Drawing File](#)

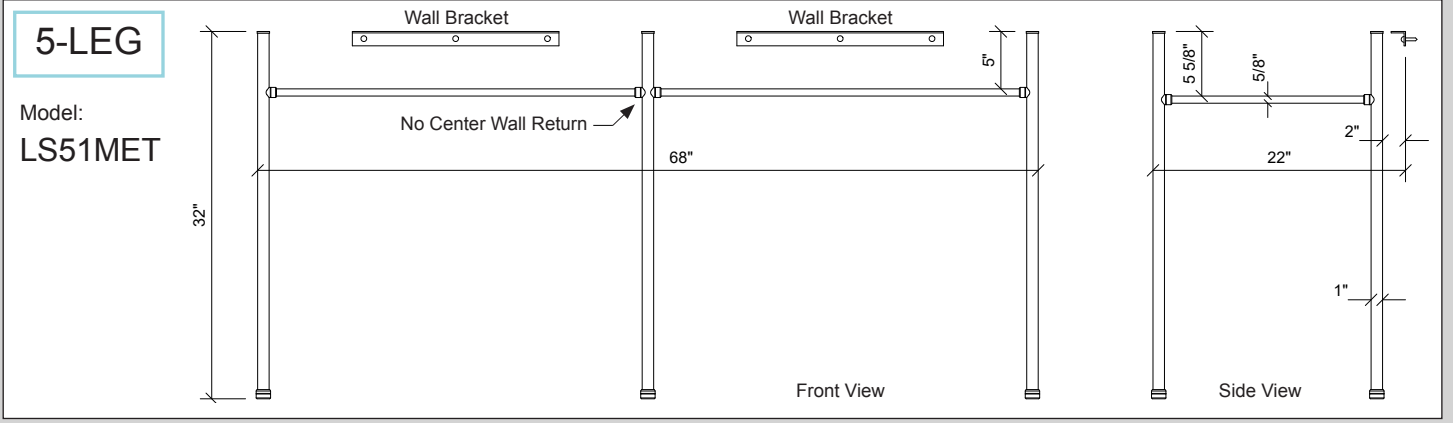
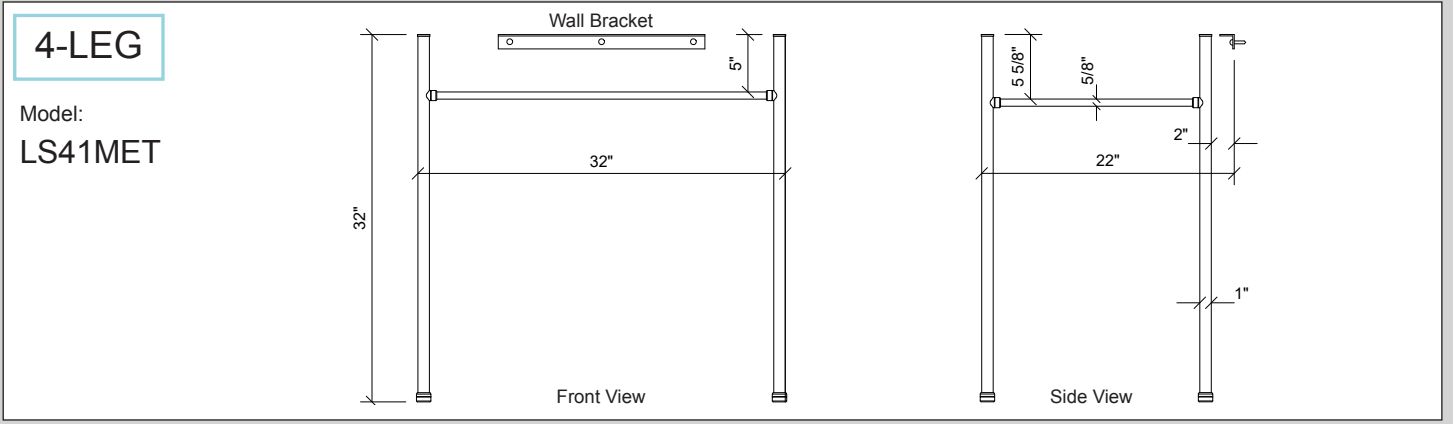
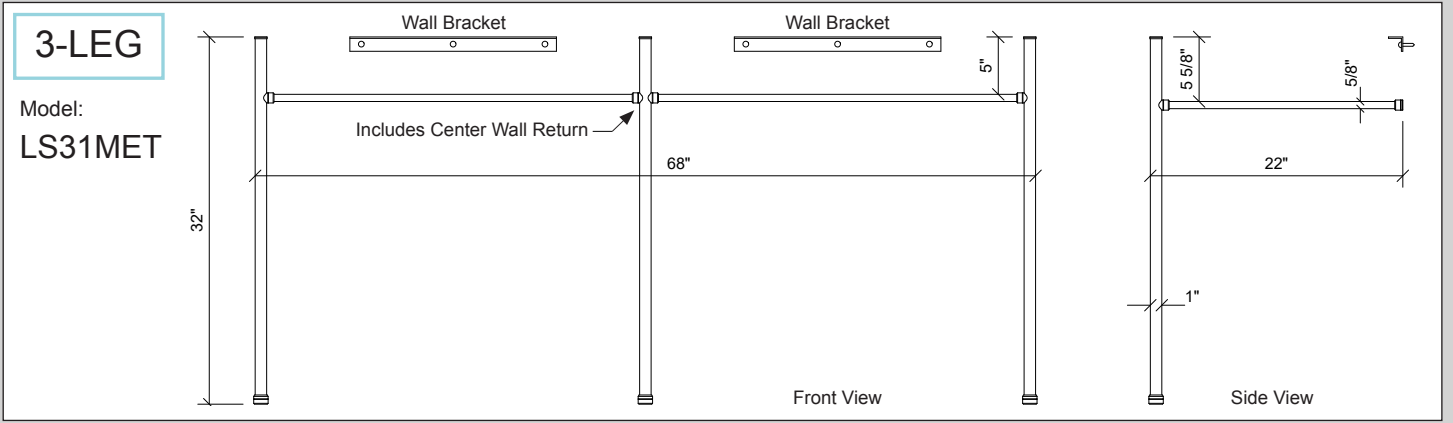
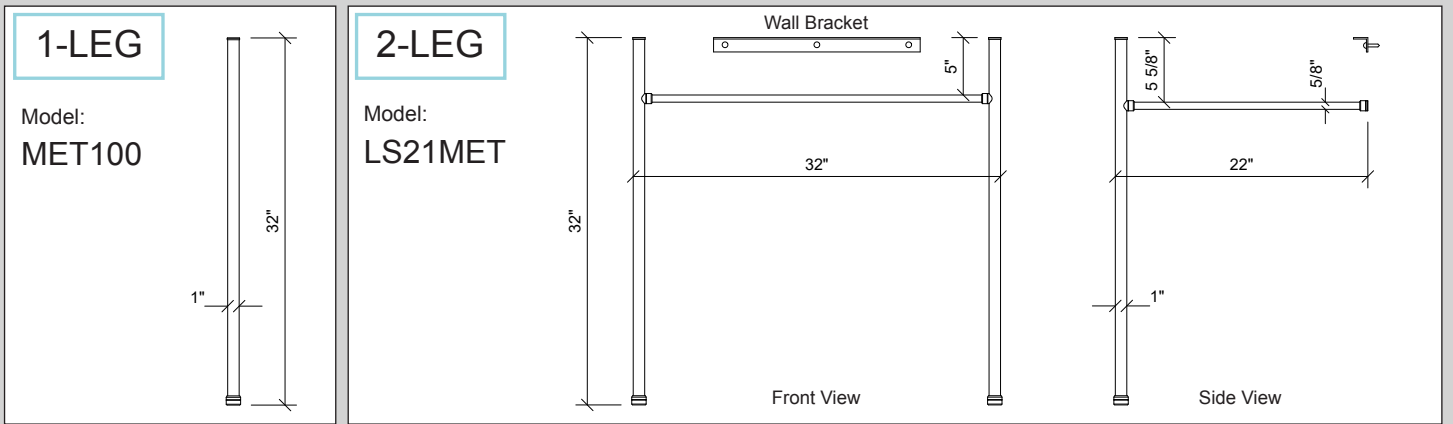


**Specifications shown below represent standard sizes only.
Palmer Leg Systems are custom built to ANY dimensions.**

[go back to index](#)

see previous page for 1.5" diameter Metro

[Download DXF Drawing File](#)

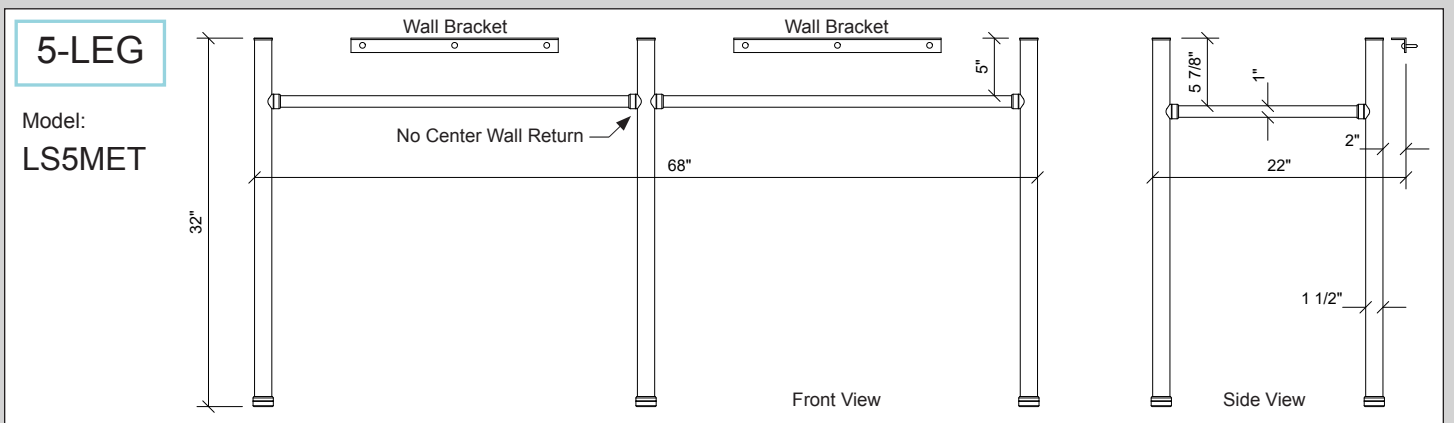
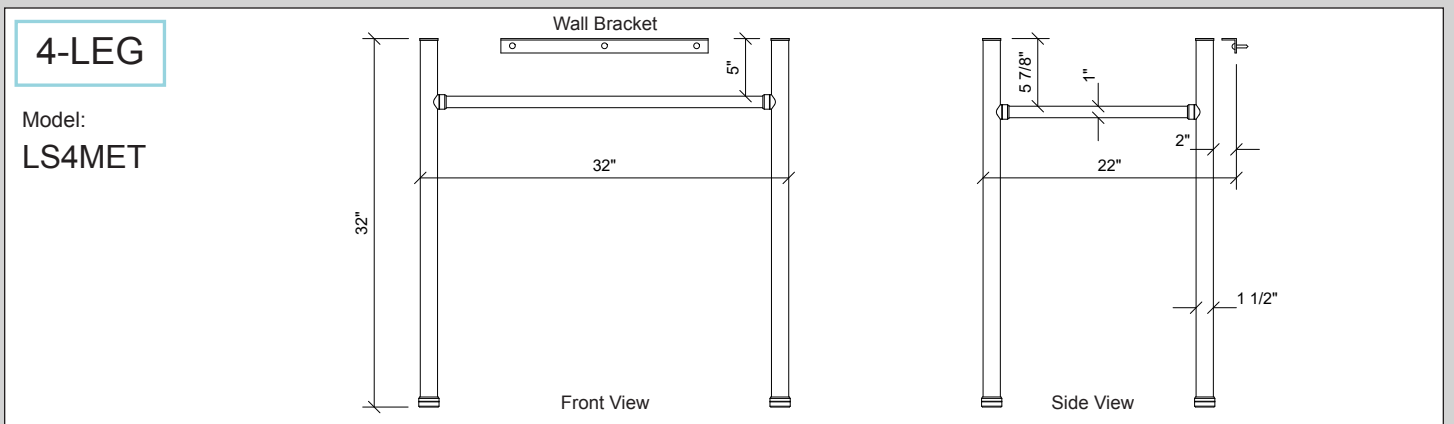
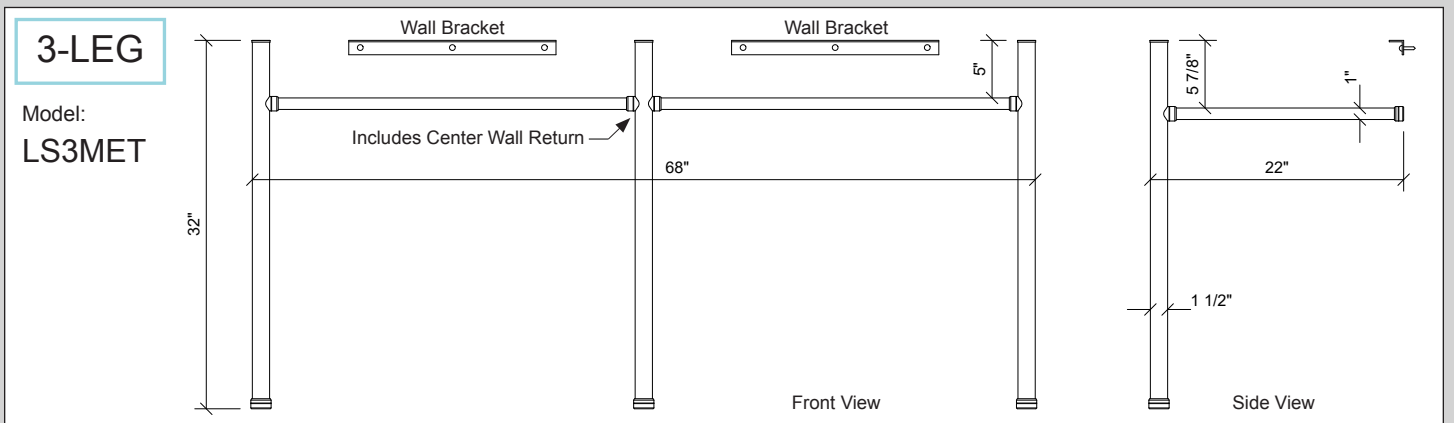
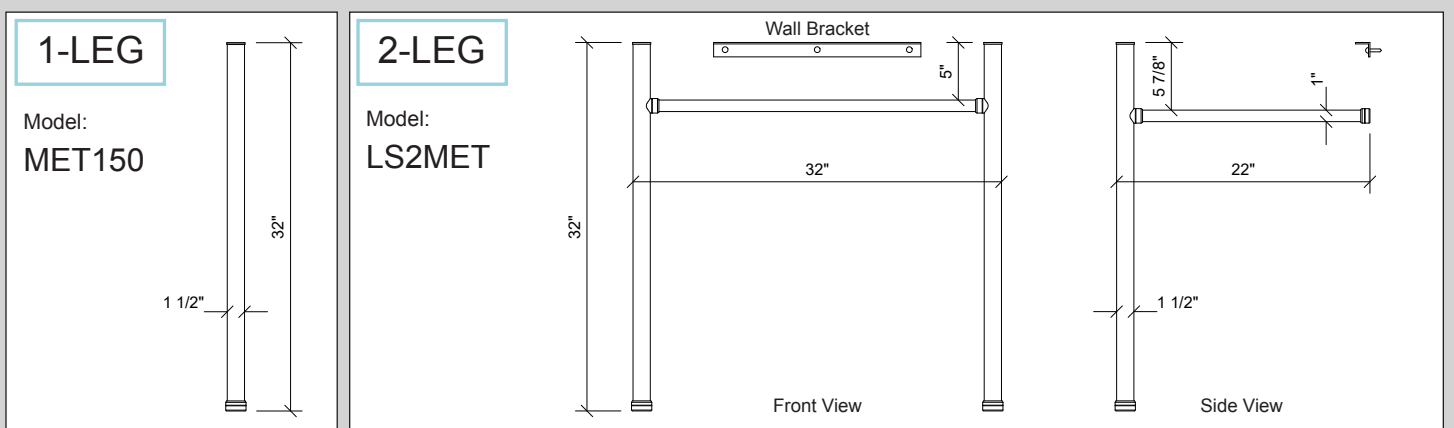


**Specifications shown below represent standard sizes only.
Palmer Leg Systems are custom built to ANY dimensions.**

[go back to index](#)

see next page for 1.0" diameter Metro

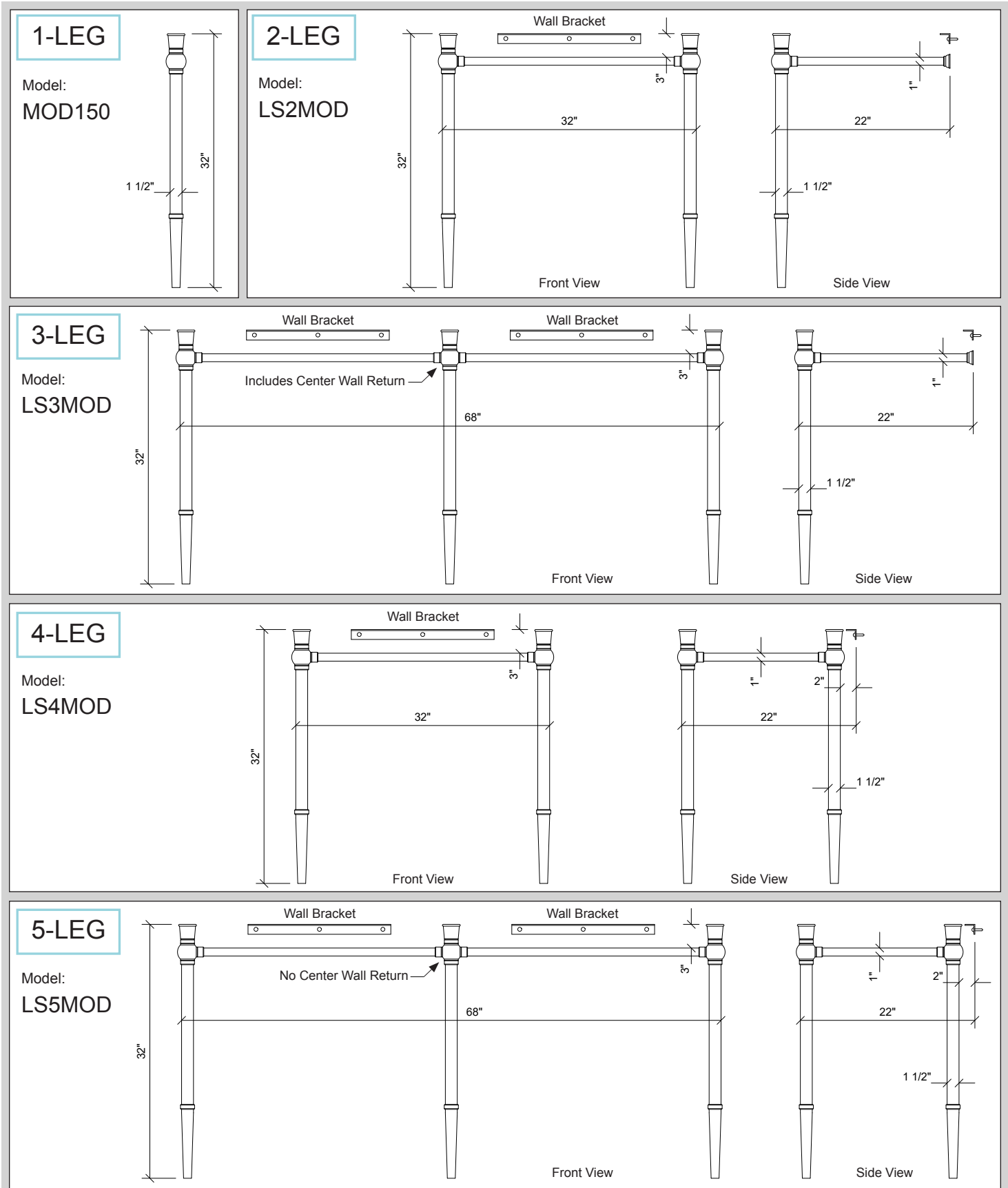
[Download DXF Drawing File](#)



**Specifications shown below represent standard sizes only.
Palmer Leg Systems are custom built to ANY dimensions.**

[go back to index](#)

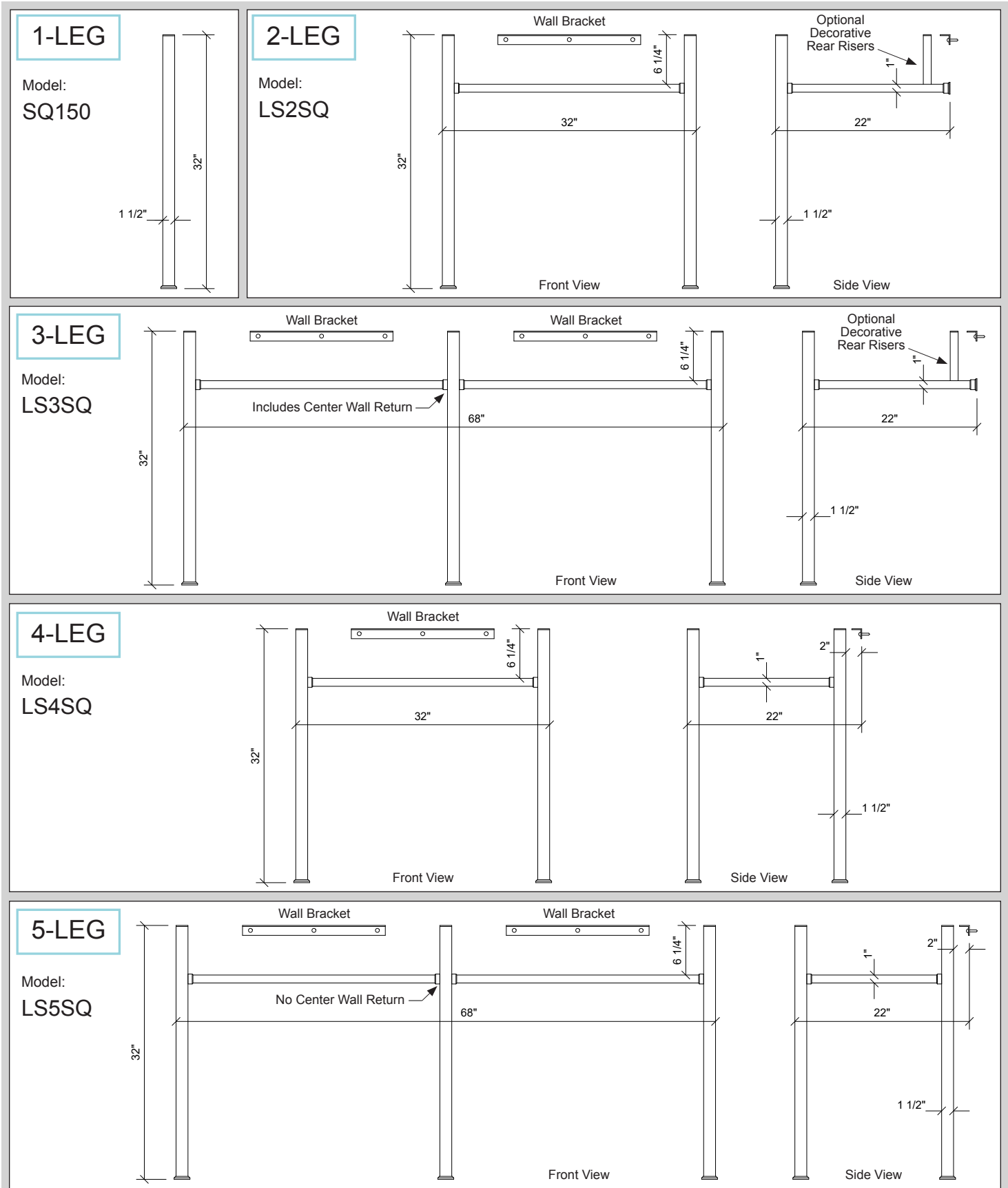
[Download DXF Drawing File](#)



**Specifications shown below represent standard sizes only.
Palmer Leg Systems are custom built to ANY dimensions.**

[go back to index](#)

[Download DXF Drawing File](#)

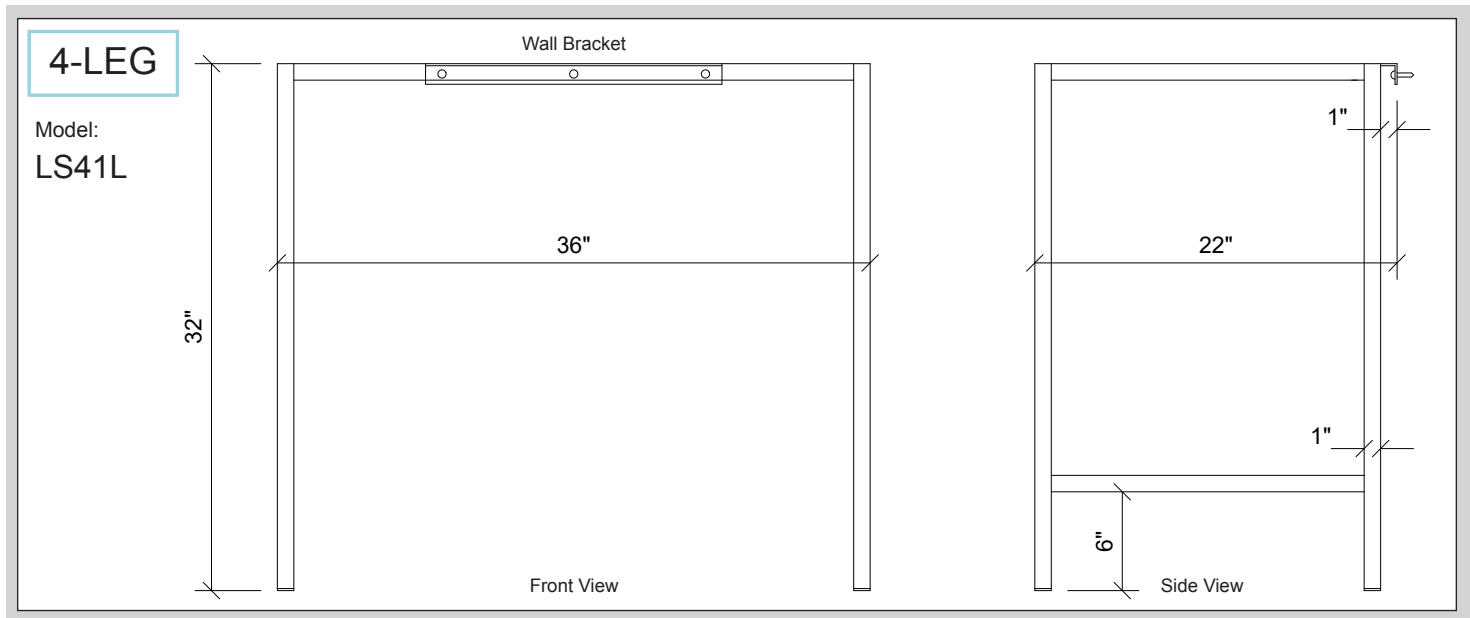




**Specifications shown below represent standard sizes only.
Palmer Leg Systems are custom built to ANY dimensions.**

[go back to index](#)

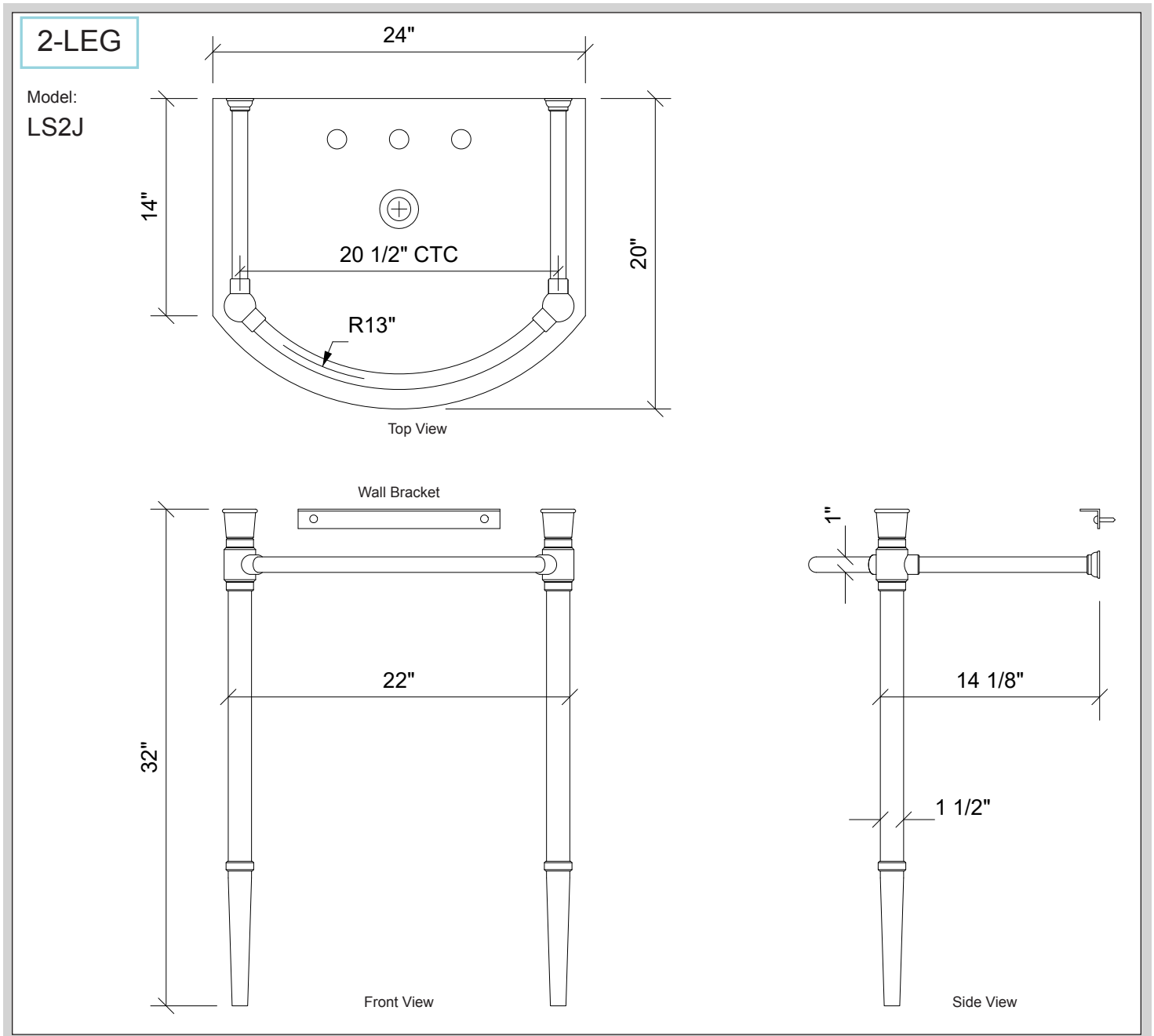
[Download DXF Drawing File](#)



**Specifications shown below represent standard sizes only.
Palmer Leg Systems are custom built to ANY dimensions.**

[go back to index](#)

[Download DXF Drawing File](#)

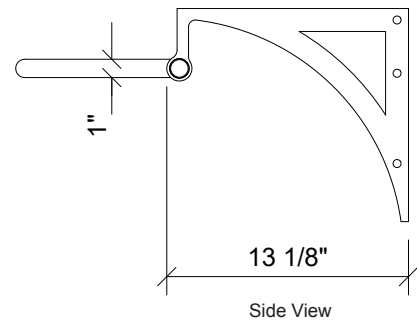
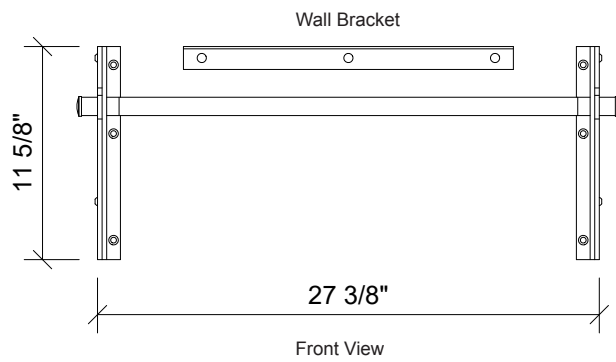
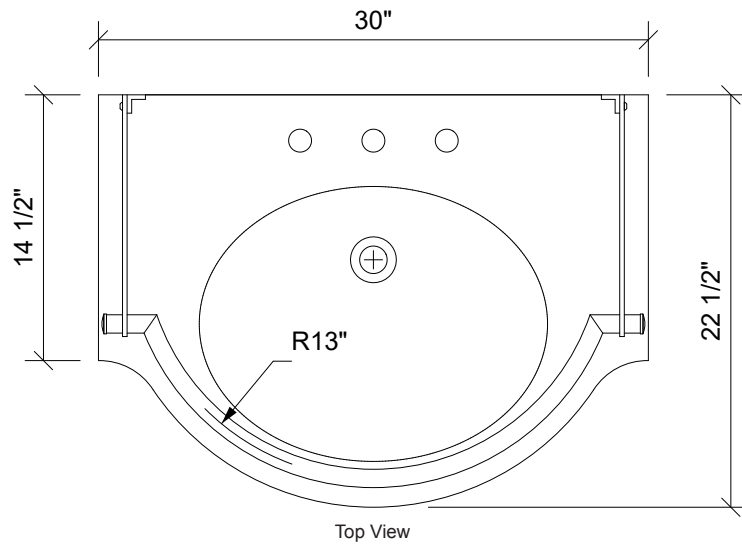


**Specifications shown below represent standard sizes only.
Palmer Leg Systems are custom built to ANY dimensions.**

[go back to index](#)

[Download DXF Drawing File](#)

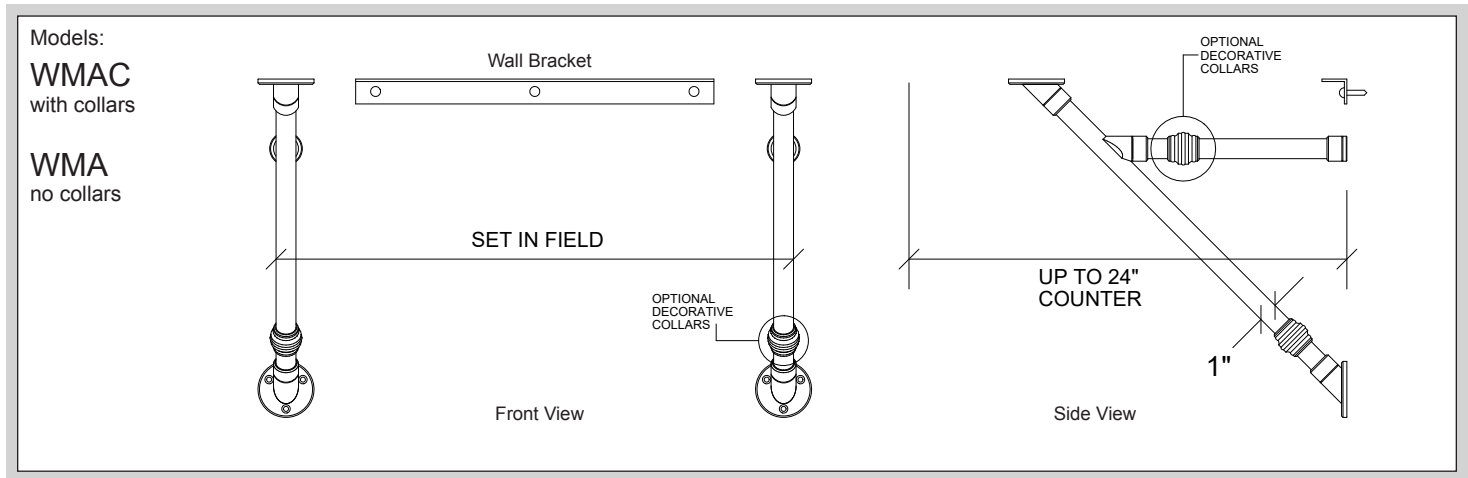
Model:
WMREG



**Specifications shown below represent standard sizes only.
Palmer Leg Systems are custom built to ANY dimensions.**

[go back to index](#)

[Download DXF Drawing File](#)



PALMER INDUSTRIES

CUSTOM SINK LEG SOLUTIONS



Palmer Industries, Inc.
862R Charles Street - Suite A
North Providence, RI 02904
USA

Toll-free: 800-398-9676
Phone: 401-421-1730
Fax: 401-421-4238

Info@sinklegs.com
sinklegs.com
palmerindustries.com

American Manufacturing



Providence, Rhode Island

© 2018 Palmer Industries Inc. all rights reserved