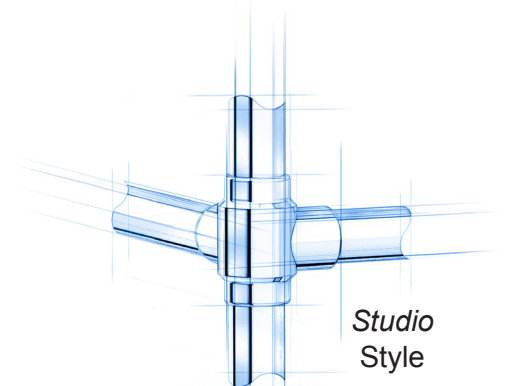


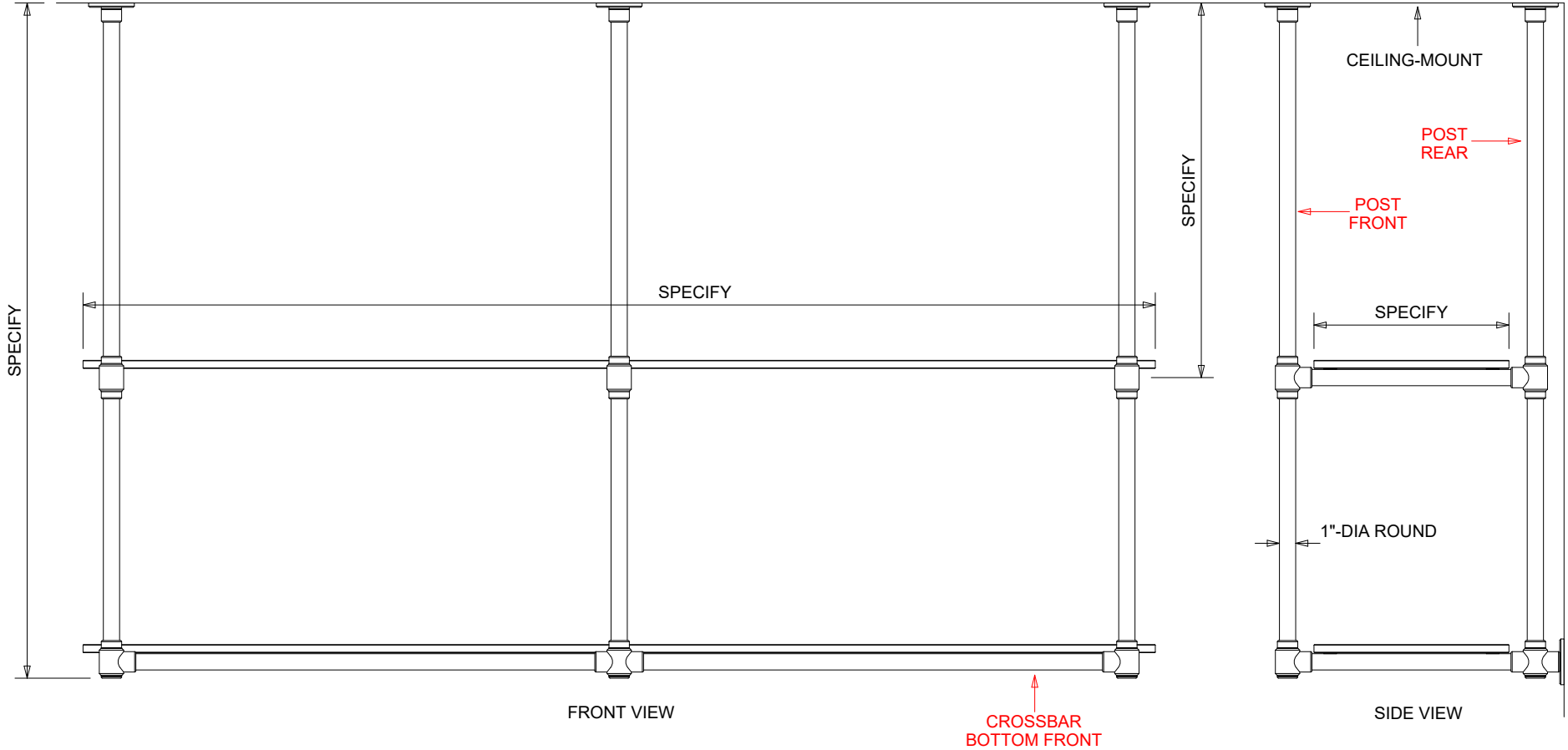
ALL SHELF SYSTEMS ARE CUSTOM BUILT TO ANY SIZE, ANY CONFIGURATION, & ANY FINISH  
COUNTER-MOUNT & CEILING-MOUNT AVAILABLE

Style	Studio	Vertical Posts		Horizontal Crossbars	
Shelves	2	Front	3	Top Front Only	No
Mount	Ceiling	Rear	3	Bottom Front Only	No
				All Front	Yes
				Matching Rear Bars	No

EXAMPLE AS DRAWN ABOVE:  
6-POST 2-SHELF CONFIGURATION



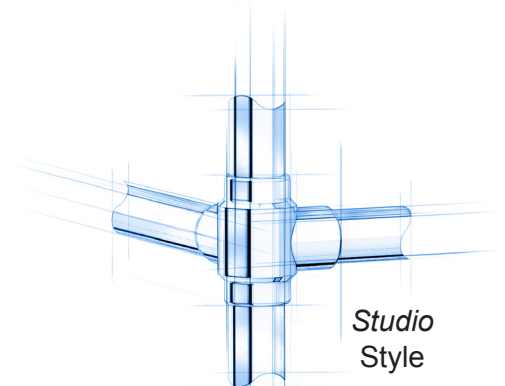
Studio Style

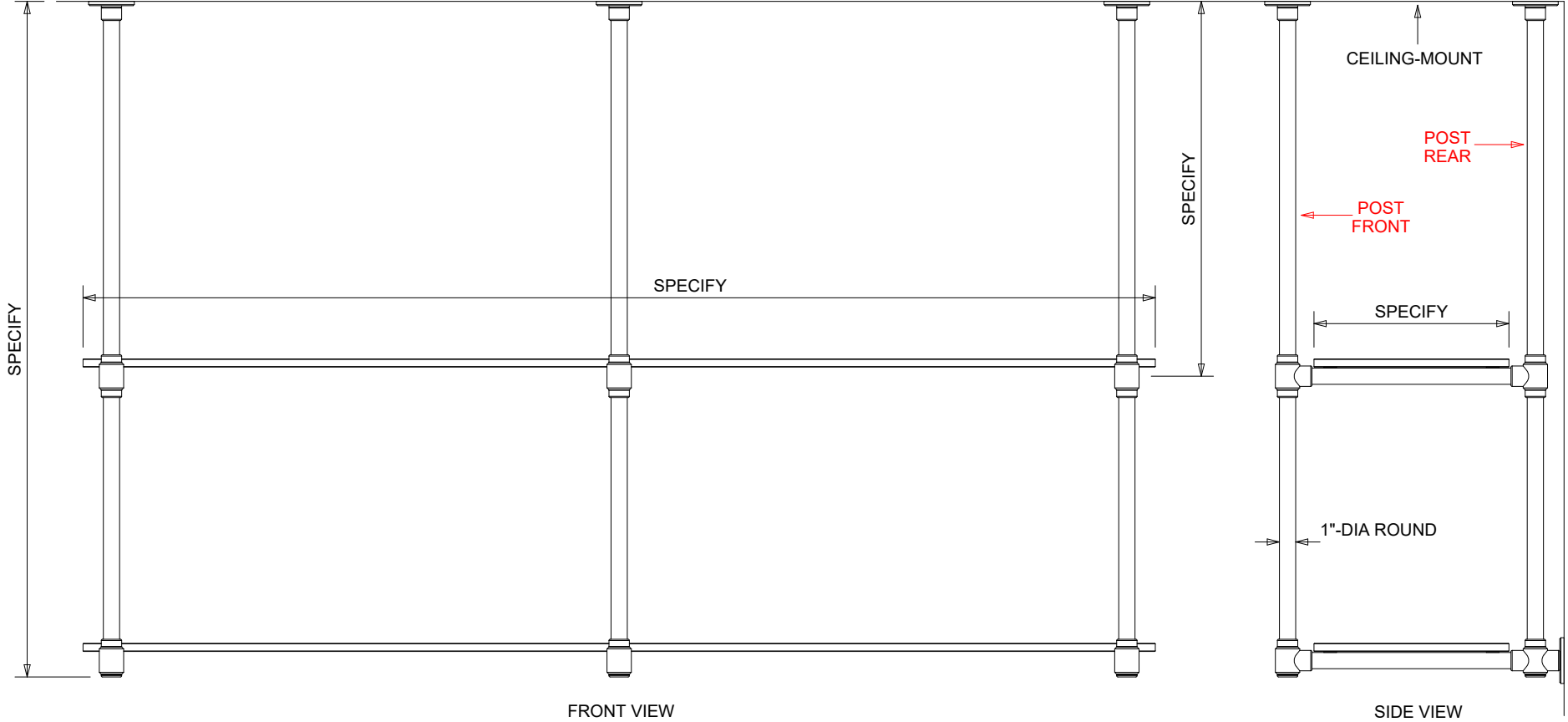


ALL SHELF SYSTEMS ARE CUSTOM BUILT TO ANY SIZE, ANY CONFIGURATION, & ANY FINISH  
COUNTER-MOUNT & CEILING-MOUNT AVAILABLE

Style	Studio	Vertical Posts		Horizontal Crossbars	
Shelves	2	Front	3	Top Front Only	No
Mount	Ceiling	Rear	3	Bottom Front Only	Yes
				All Front	No
				Matching Rear Bars	No

EXAMPLE AS DRAWN ABOVE:  
6-POST 2-SHELF CONFIGURATION

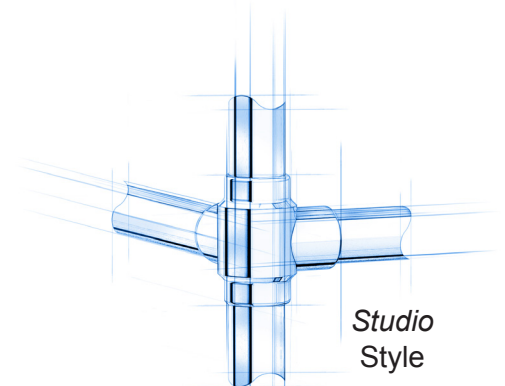




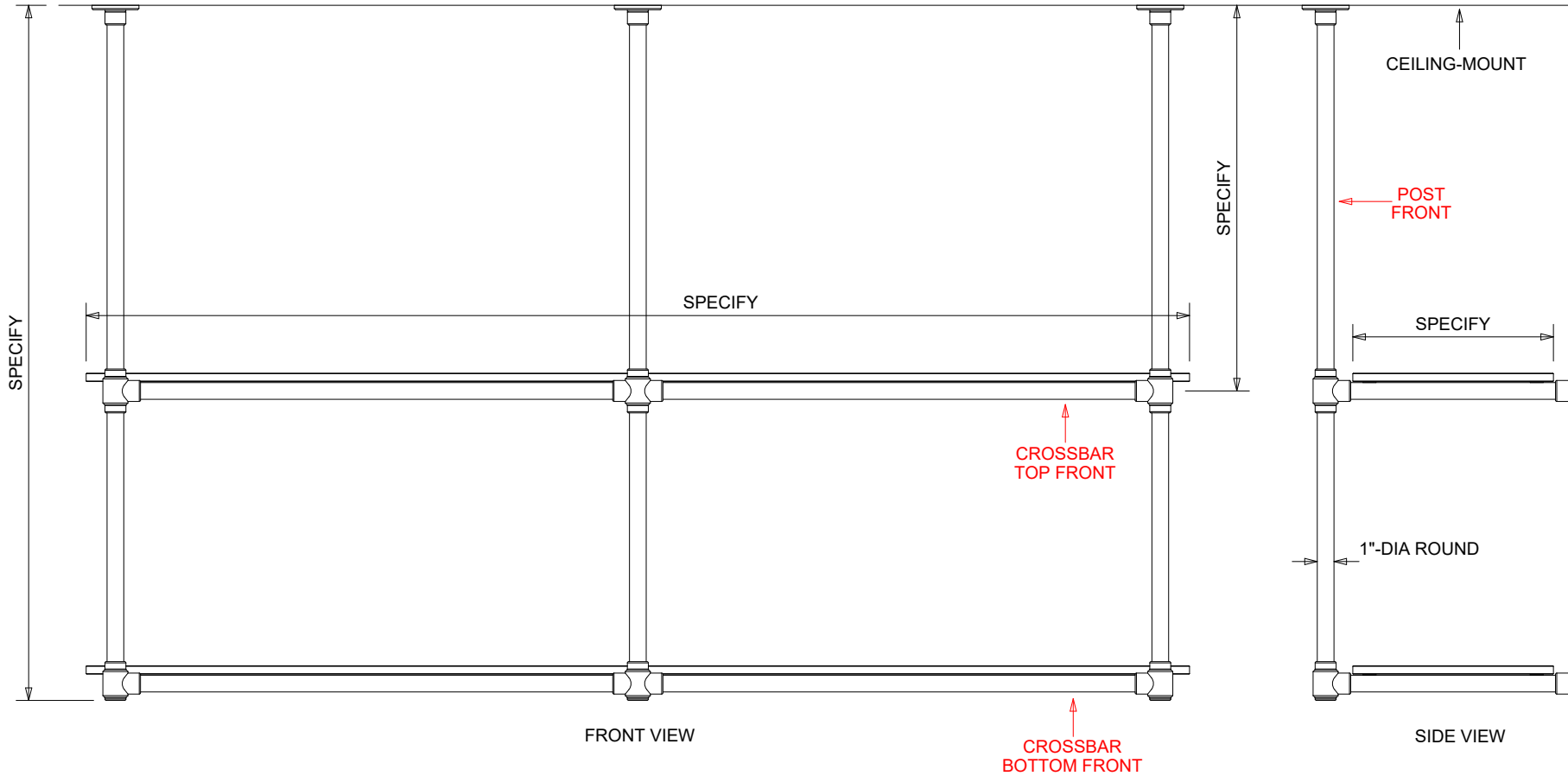
ALL SHELF SYSTEMS ARE CUSTOM BUILT TO ANY SIZE, ANY CONFIGURATION, & ANY FINISH  
COUNTER-MOUNT & CEILING-MOUNT AVAILABLE

Style	Studio	Vertical Posts		Horizontal Crossbars	
Shelves	2	Front	3	Top Front Only	No
Mount	Ceiling	Rear	3	Bottom Front Only	No
				All Front	No
				Matching Rear Bars	No

EXAMPLE AS DRAWN ABOVE:  
6-POST 2-SHELF CONFIGURATION



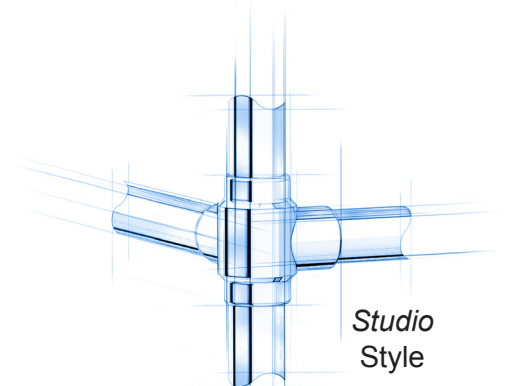
Studio Style



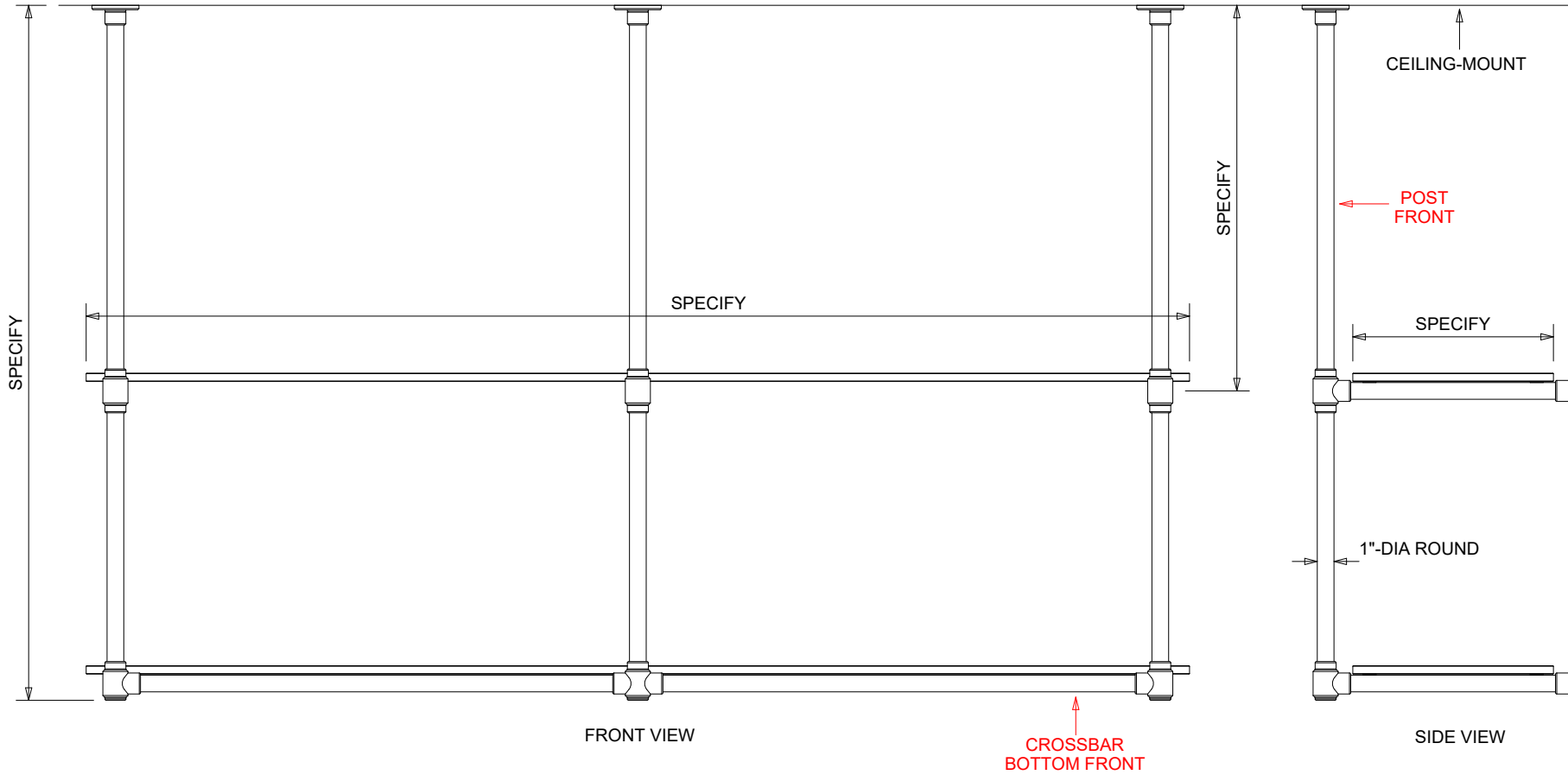
ALL SHELF SYSTEMS ARE CUSTOM BUILT TO ANY SIZE, ANY CONFIGURATION, & ANY FINISH  
COUNTER-MOUNT & CEILING-MOUNT AVAILABLE

Style	Studio	Vertical Posts		Horizontal Crossbars	
Shelves	2	Front	3	Top Front Only	No
Mount	Ceiling	Rear	0	Bottom Front Only	No
				All Front	Yes
				Matching Rear Bars	No

EXAMPLE AS DRAWN ABOVE:  
3-POST 2-SHELF CONFIGURATION



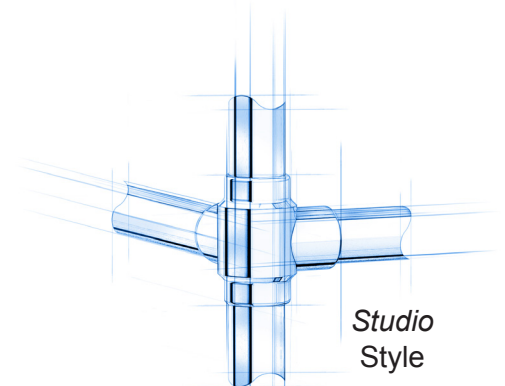
Studio Style

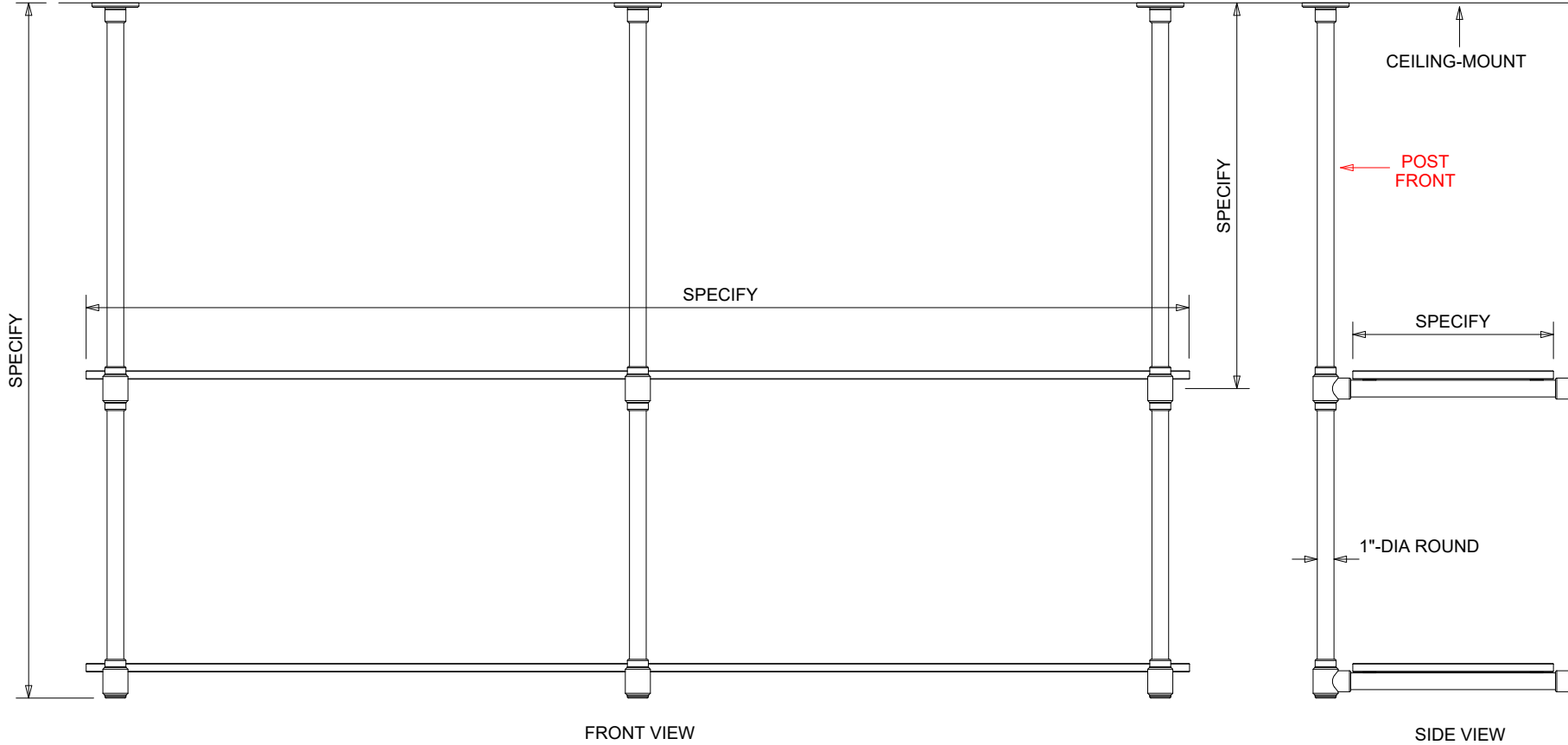


ALL SHELF SYSTEMS ARE CUSTOM BUILT TO ANY SIZE, ANY CONFIGURATION, & ANY FINISH  
COUNTER-MOUNT & CEILING-MOUNT AVAILABLE

Style	Studio	Vertical Posts		Horizontal Crossbars	
Shelves	2	Front	3	Top Front Only	No
Mount	Ceiling	Rear	0	Bottom Front Only	Yes
				All Front	No
				Matching Rear Bars	No

EXAMPLE AS DRAWN ABOVE:  
3-POST 2-SHELF CONFIGURATION

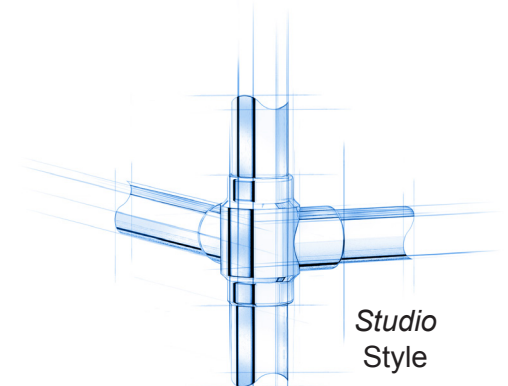




ALL SHELF SYSTEMS ARE CUSTOM BUILT TO ANY SIZE, ANY CONFIGURATION, & ANY FINISH  
COUNTER-MOUNT & CEILING-MOUNT AVAILABLE

Style	Studio	Vertical Posts		Horizontal Crossbars	
Shelves	2	Front	3	Top Front Only	No
Mount	Ceiling	Rear	0	Bottom Front Only	No
				All Front	No
				Matching Rear Bars	No

EXAMPLE AS DRAWN ABOVE:  
3-POST 2-SHELF CONFIGURATION



Studio Style