

PALMER STYLE SHEETS



Westport



Classic Collection

T	Tapered Foot	2
C	Decorative Collar	3
BL	Ball Foot	4
B	Bun Foot	5

Traditional Collection

E	Essex	6
W	Westport	7
CAP	Capital	8
K	Kingston	9
V	Victorian	10
REN	Renaissance	11
P	Providence	12
N	Newport	13

Modern Collection

S	Studio	14
M	Minimal	15
MET	Metro	16
MOD	Modern	17
SQ	Square	18
L	Linear	19
J	Jamestown	20

Wall Mount Collection

REG	Regency	21
A	Apex	22

TAPERED FOOT

MODEL LS2T

(Shown with 1.5" diameter tubing & rear risers)



The Tapered Foot console, with its distinctive and classic foot detail, remains Palmer's most popular style. The refined elements of the slender tapered foot with its ball finial present the perfect complement to our corner ball-style fitting, and add a fine furniture quality to this leg.

MODEL LS21TNR

(Shown with 1.0" diameter tubing & no rear risers)



Early European design details along with modern architectural and industrial influences blend to create a truly timeless console.

Palmer Consoles are completely modular and custom built to any design and leg configuration

American Manufacturing



Providence, Rhode Island

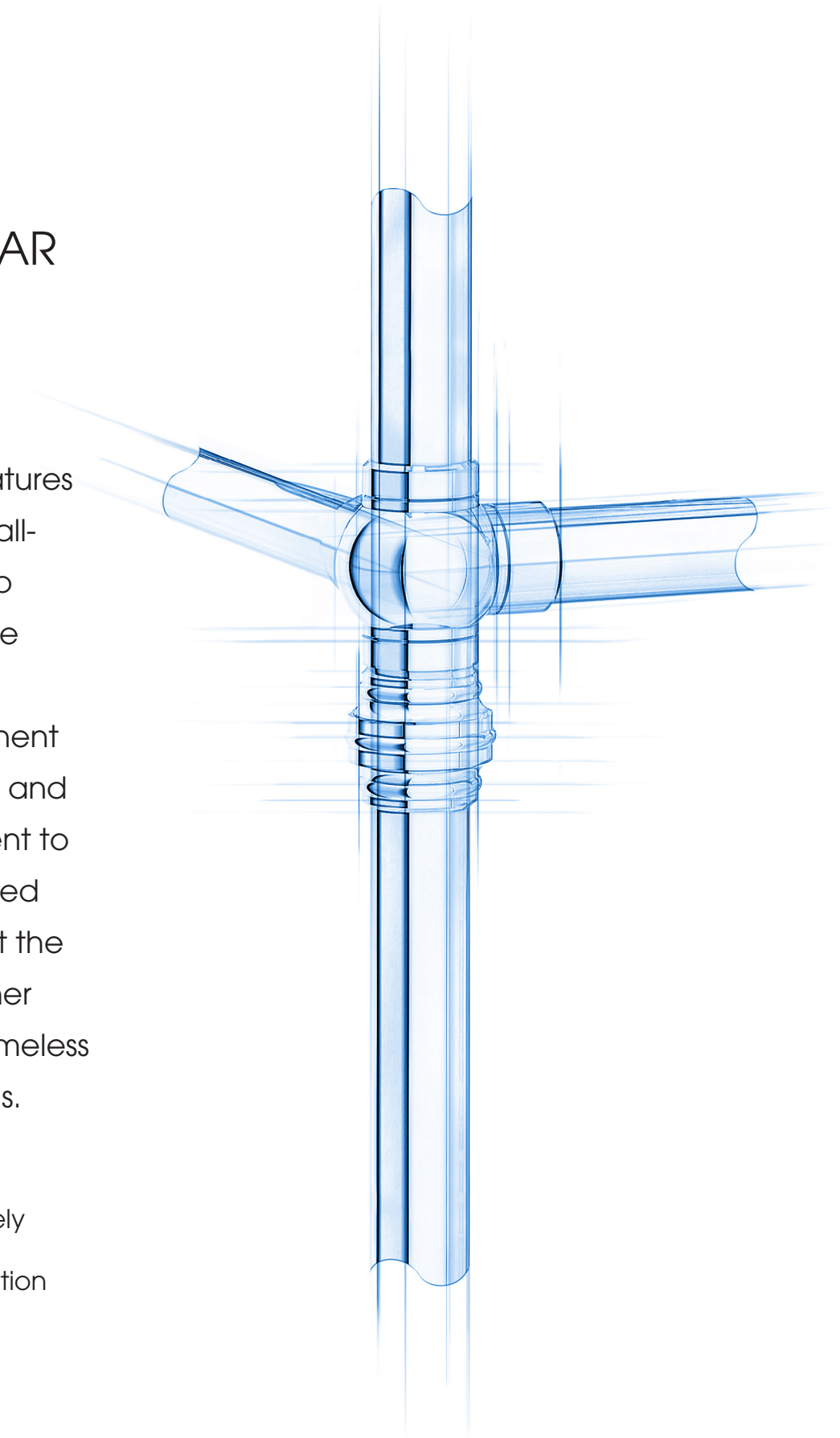


DECORATIVE COLLAR

MODEL LS2C

The Decorative Collar style features our distinctive and updated ball-and-socket fitting, with its sharp lines and strong visual presence reminiscent of early European plumbing fixtures. This component provides strength and stability, and imparts a classic design element to this model. The crisply machined decorative collars repeated at the floor and underneath the corner joint afford a traditional and timeless feel for today's finer bathrooms.

Palmer Consoles are completely modular and custom built to any design and leg configuration



American Manufacturing



Providence, Rhode Island

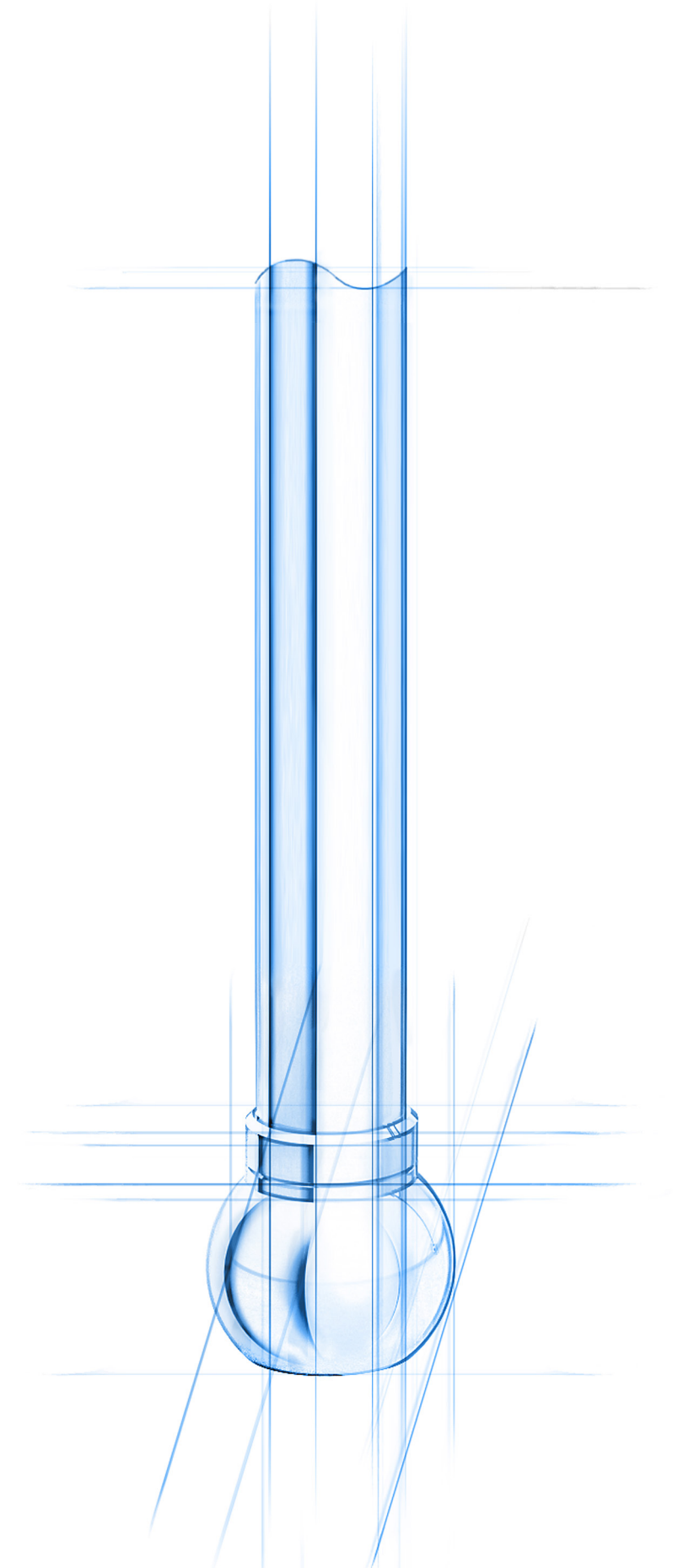


BALL FOOT

MODEL LS2BL

The Ball Foot console, with perfectly matched components featuring Palmer's updated geometric or "knuckle-style" round corner joints, provides a transitional feel for today's finer bathrooms.

Palmer Consoles are completely modular and custom built to any design and leg configuration



American Manufacturing



Providence, Rhode Island

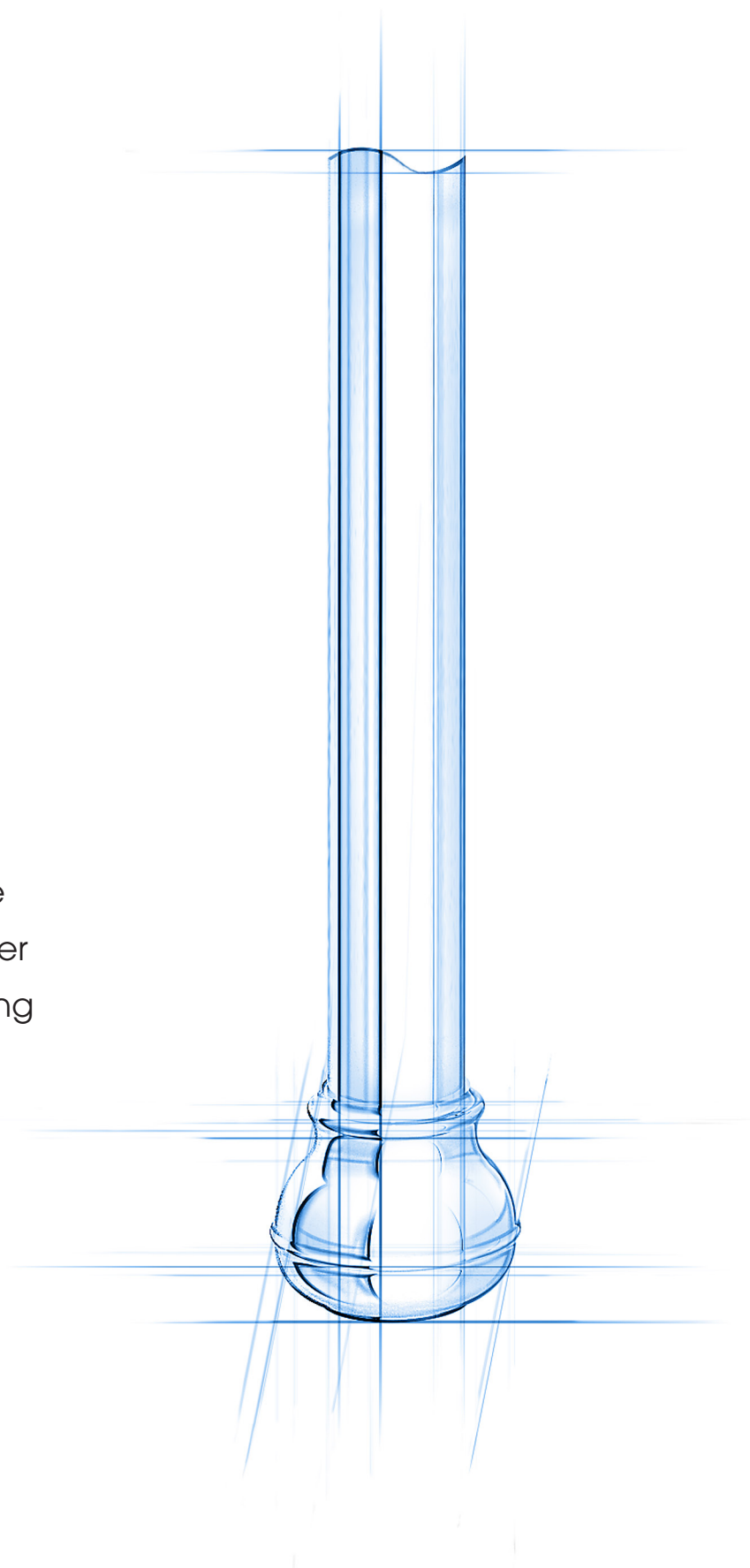


BUN FOOT

MODEL LS2B

The heft and solid footing of the Bun Foot leg system, both robust and refined, provide the perfect foundation and sophistication for vanity tops. The bun foot has long been a classic architectural feature in fine furniture design, and coordinates perfectly with the Palmer ball or "knuckle-style" corner joint, seen often in antique plumbing fixtures.

Palmer Consoles are completely modular and custom built to any design and leg configuration



American Manufacturing



Providence, Rhode Island

PALMER INDUSTRIES

CUSTOM SINK LEG SOLUTIONS



ESSEX

MODEL LS2E

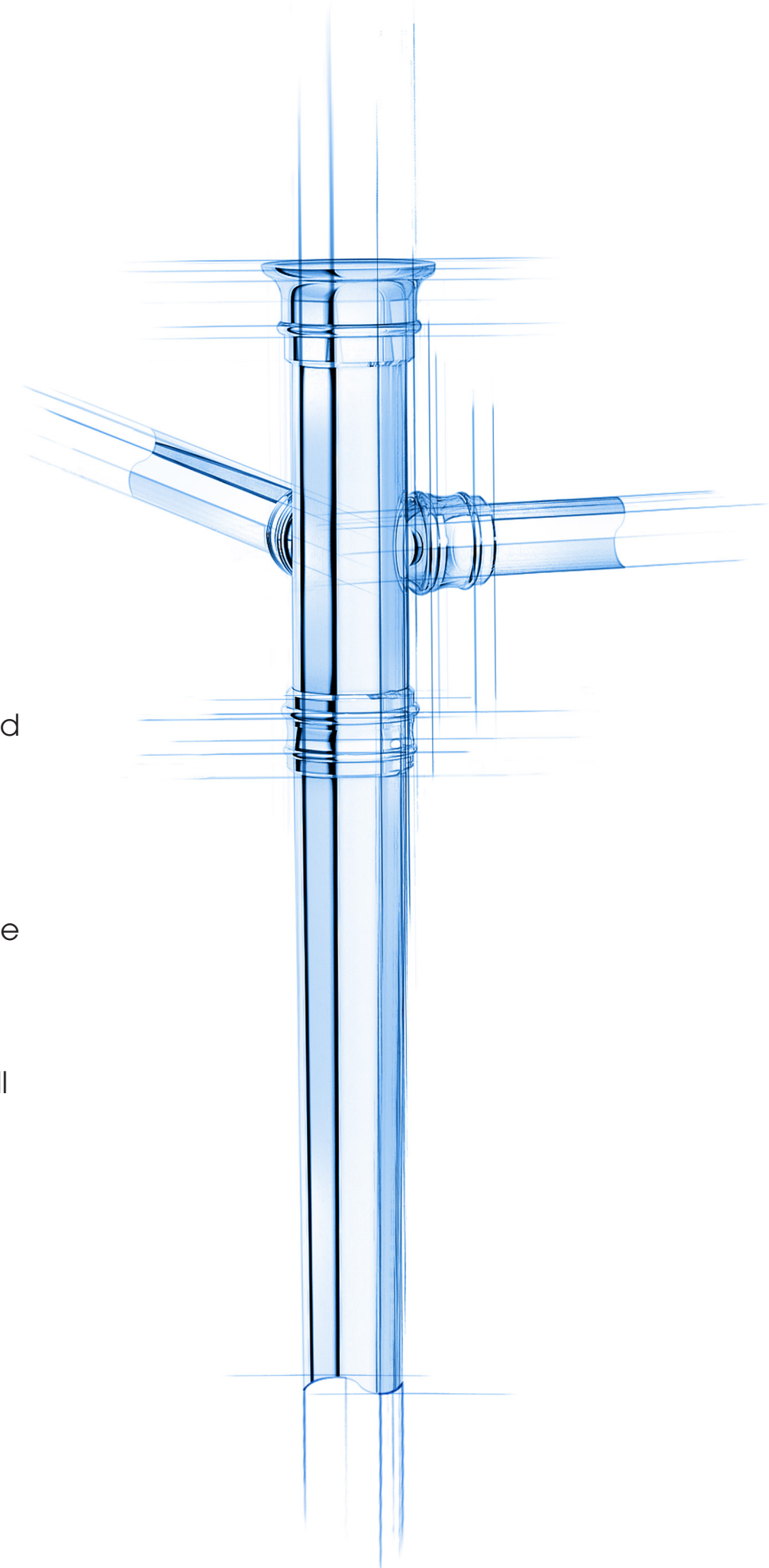
Formerly known as the Tapered Leg, this Palmer model with a tapered leg and updated styling affords a truly classic feel for today's finer bathrooms. Historically, the tapered leg provided a departure from the rigid designs of the common, thick, straight-lined furniture of the past. This refined and slender shape terminates at the floor in a small, tapered foot, with the decorative ring, top cap, and corner socket all coordinating perfectly.

Palmer Consoles are completely modular and custom built to any design and leg configuration

American Manufacturing



Providence, Rhode Island

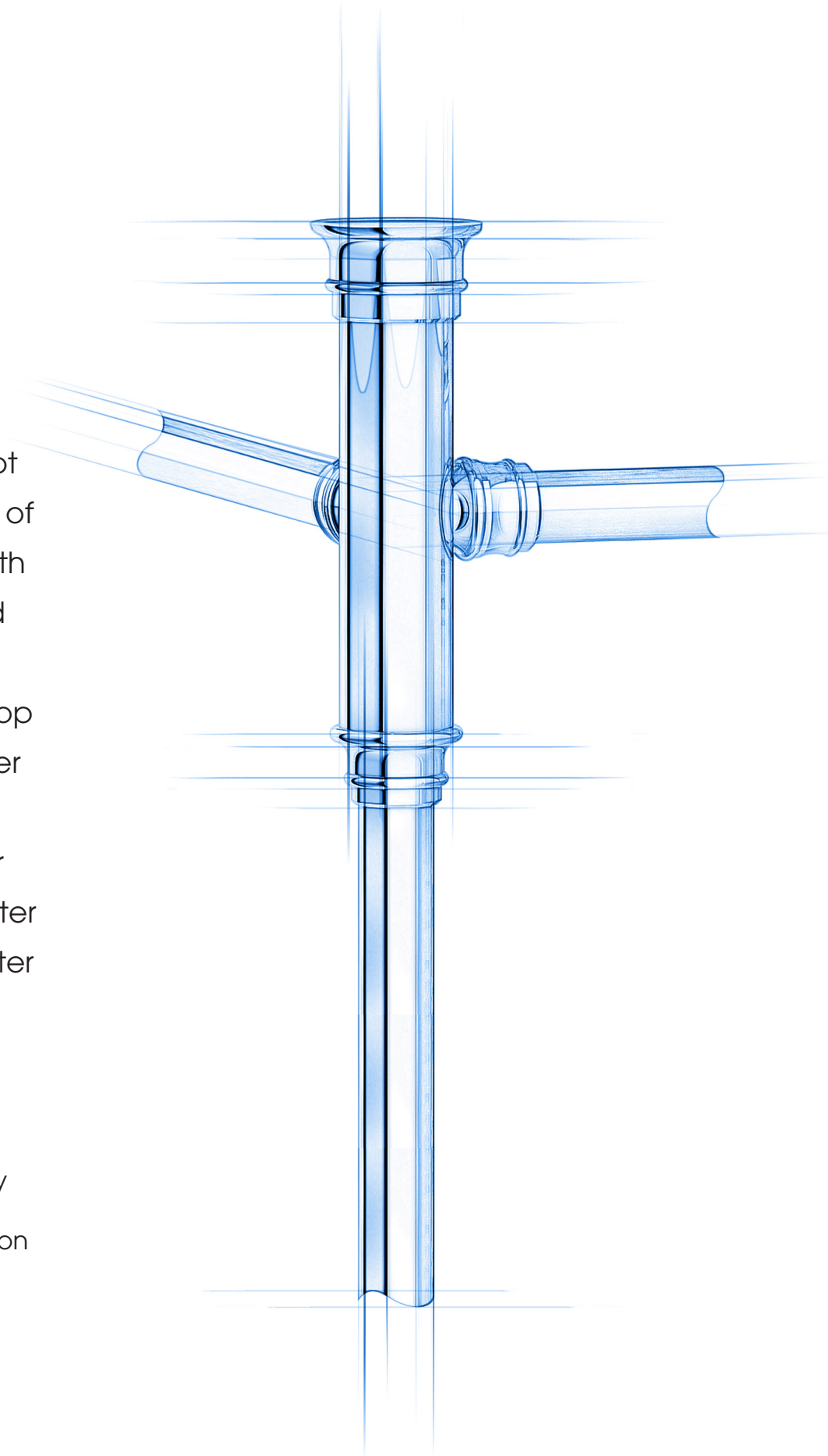




WESTPORT
MODEL LS2W

The Westport is similar in concept to our Capital style, reminiscent of an architectural column, but with a round (not square) head, and a single horizontal crossbar. All components such as the foot, top cap, decorative ring, and corner socket coordinate perfectly. The clear distinction in diameter between the larger 1 1/2" diameter head and the smaller 1" diameter lower leg define this elegant silhouette.

Palmer Consoles are completely modular and custom built to any design and leg configuration



American Manufacturing



Providence, Rhode Island

PALMER INDUSTRIES

CUSTOM SINK LEG SOLUTIONS

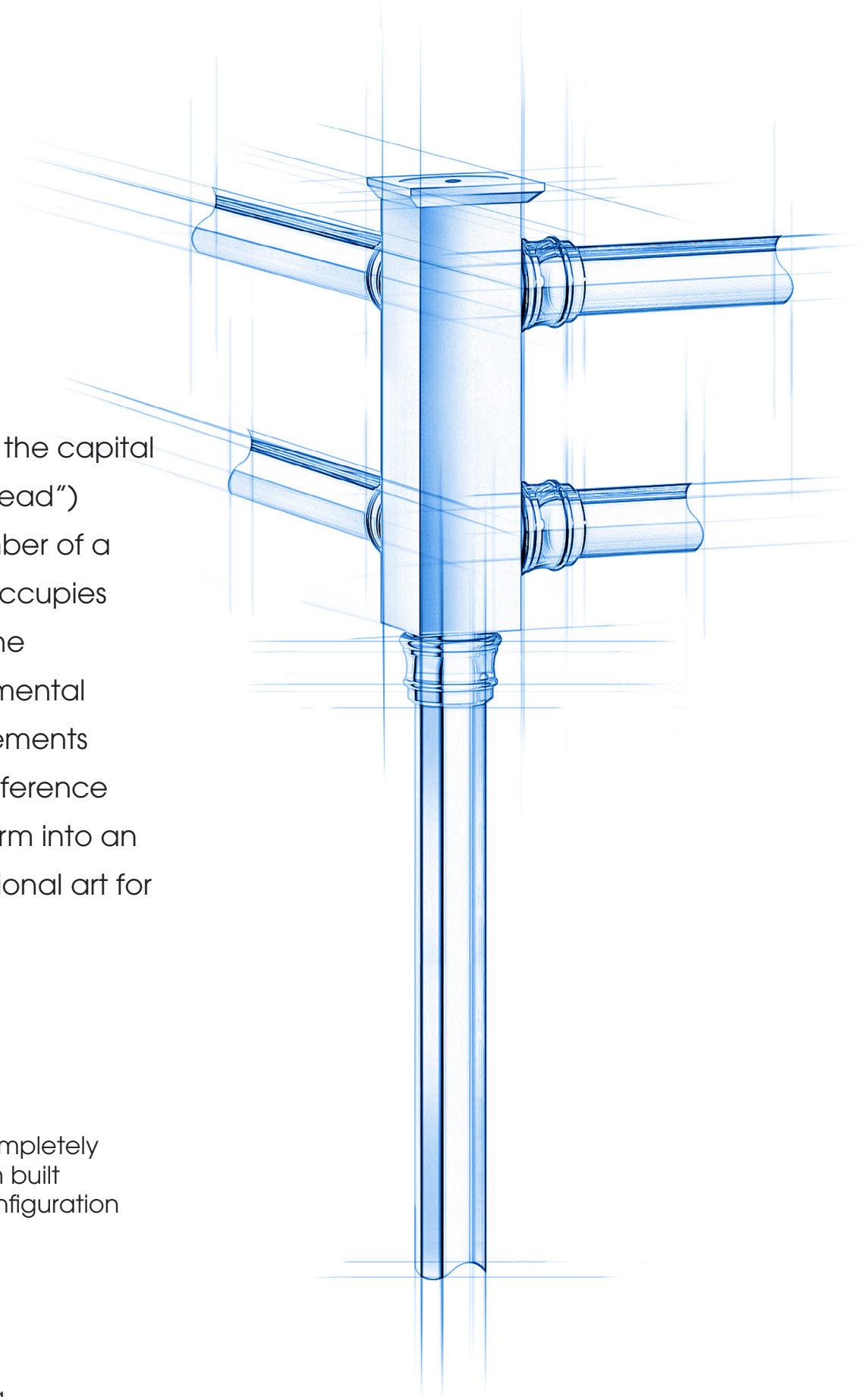


CAPITAL

MODEL LS2CAP

In Classical Architecture, the capital (from the Latin caput, "head") forms the crowning member of a column or pilaster, and occupies a prominent position in the ornamentation of monumental buildings. The refined elements of the Capital console reference historic form, and transform into an adaptable work of functional art for your bathroom.

Palmer Consoles are completely modular and custom built to any design and leg configuration



American Manufacturing



Providence, Rhode Island

PALMER INDUSTRIES

CUSTOM SINK LEG SOLUTIONS



KINGSTON

MODEL LS2K

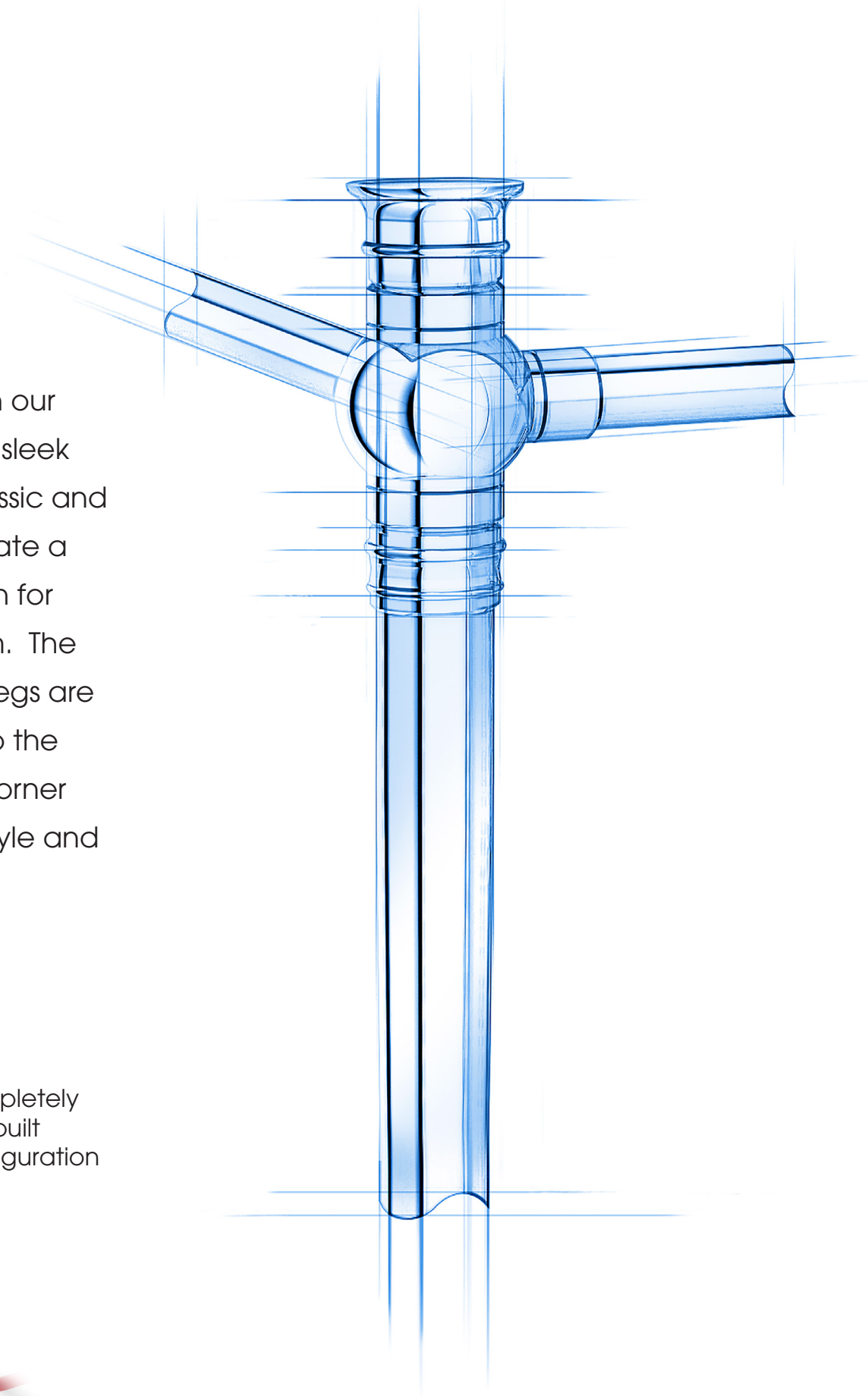
This Palmer leg system with our traditional ball fittings and sleek tapered leg combines classic and contemporary lines to create a transitional, elegant design for today's modern bathroom. The vintage inspired tapered legs are the perfect compliment to the classic shape of the ball corner joints, honoring classical style and modern innovation.

Palmer Consoles are completely modular and custom built to any design and leg configuration

American Manufacturing



Providence, Rhode Island

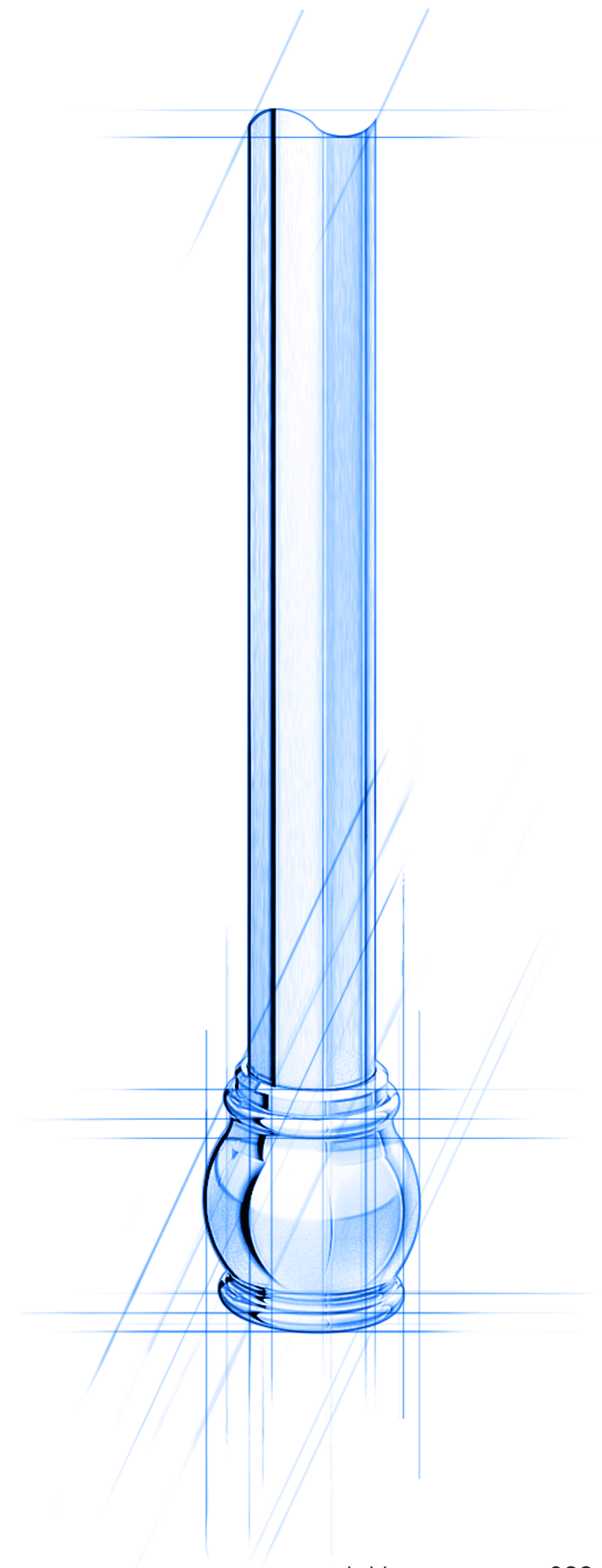




VICTORIAN
MODEL LS41V

Evoking the character of traditional Victorian furnishings, this artfully crafted leg system features auxiliary towel rails and split-collar shelf supports, breathing openness and light into any bathroom, while incorporating much-needed practical storage below. The proportions of this elegant silhouette will transform any bath into a luxurious personal retreat.

Palmer Consoles are completely modular and custom built to any design and leg configuration



RENAISSANCE

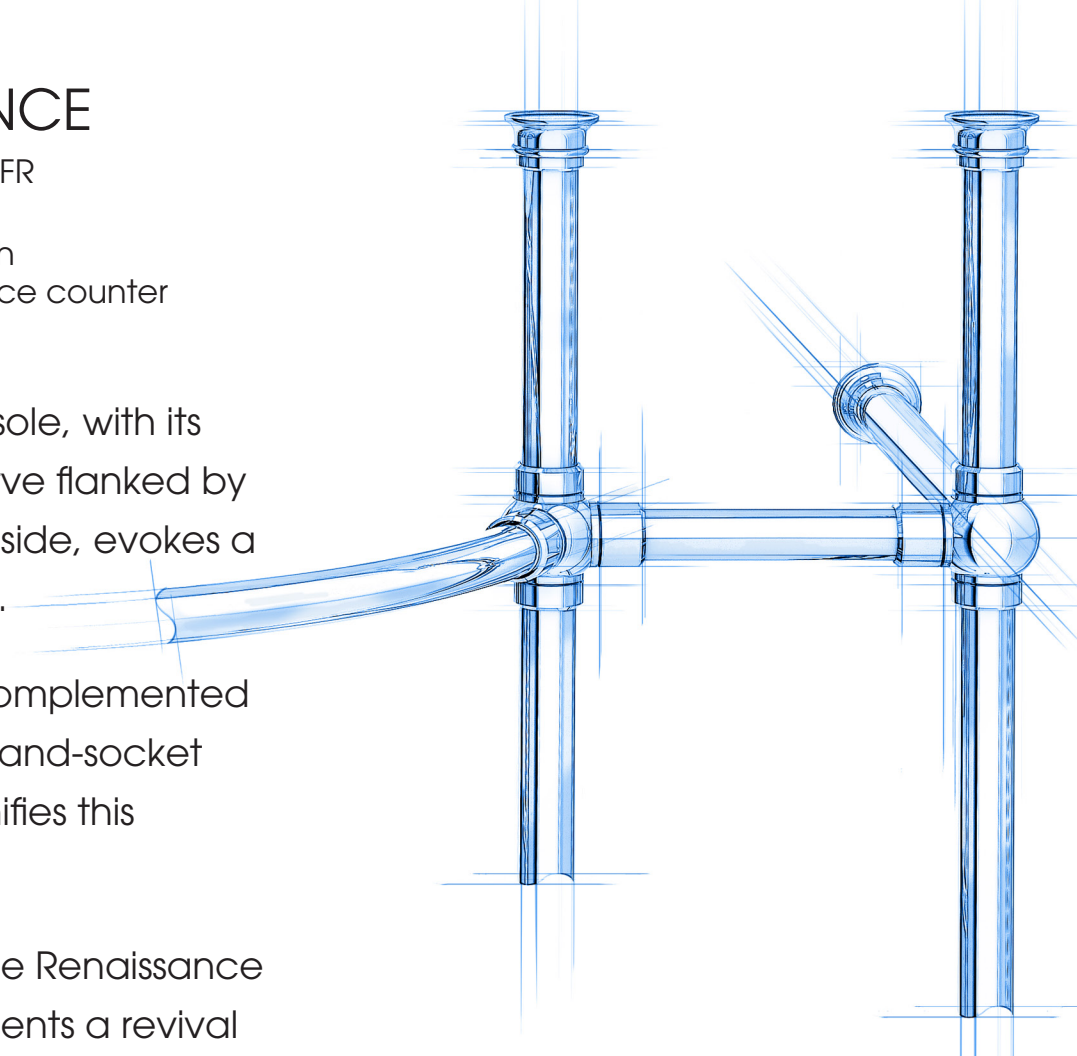
MODEL LS41BLSFR

As shown with
Stone Forest Renaissance counter

The Renaissance console, with its broadly sweeping curve flanked by pairs of legs on either side, evokes a classic palladian style.

The ball foot detail, complemented by the matching ball-and-socket joints harmoniously unifies this traditional design.

As its name implies, the Renaissance console design represents a revival of classical art and architecture expressed in timeless elegance.



Palmer Consoles are completely modular and custom built to any design and leg configuration

American Manufacturing



Providence, Rhode Island



PROVIDENCE
MODEL LS2P

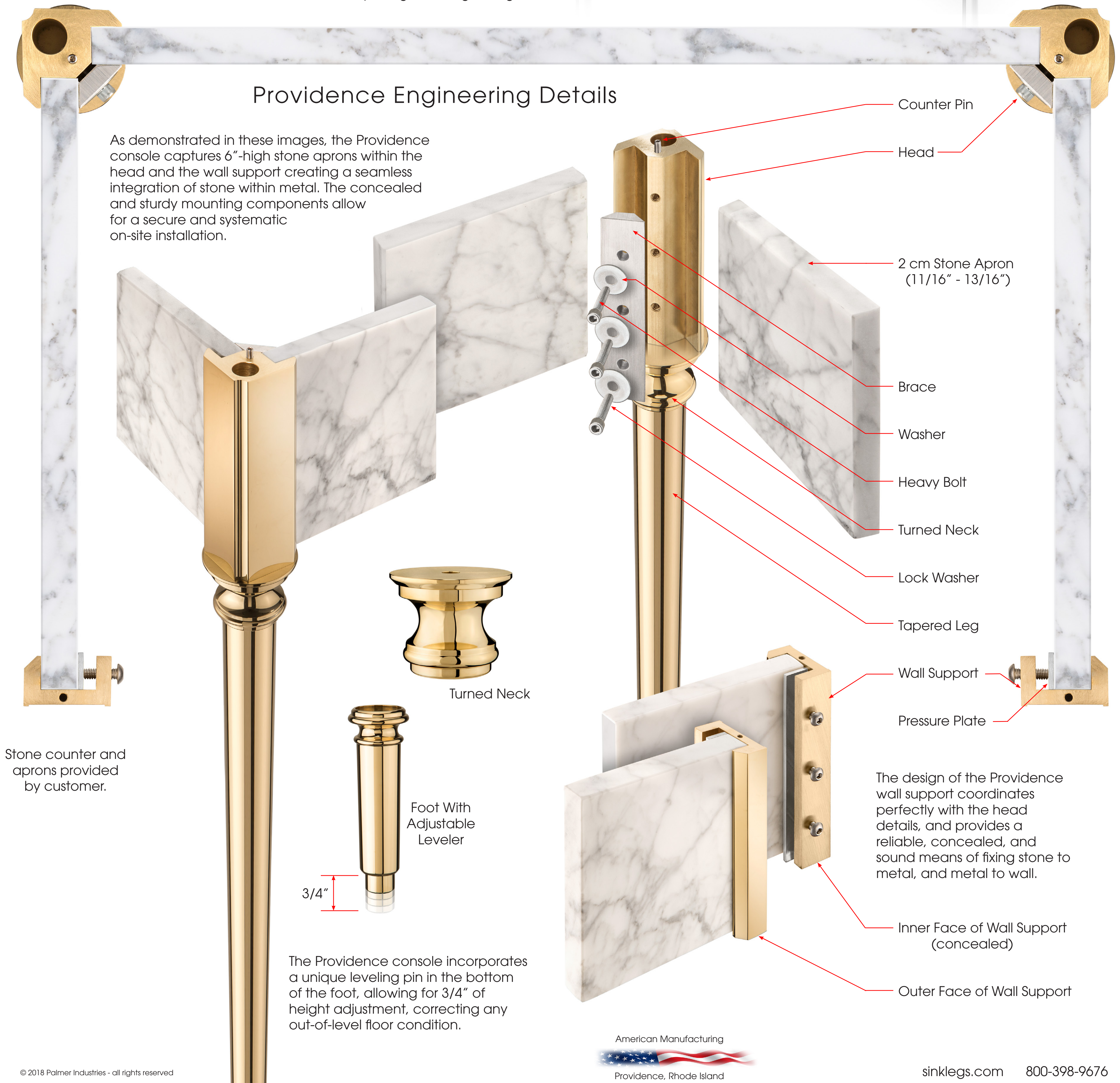
The Providence model features a truly unique and well-engineered system of incorporating stone aprons (a "skirt") directly into the head of the leg, affording a truly seamless complement to the counter material above, while concealing the sink basin and hardware below. The square head and decorative turned neck, together with the mild taper of the leg, continuing to the floor through the foot, all marry in perfect proportion to define the stately design of this console.



Palmer Consoles are completely modular and custom built to any design and leg configuration

Providence Engineering Details

As demonstrated in these images, the Providence console captures 6"-high stone aprons within the head and the wall support creating a seamless integration of stone within metal. The concealed and sturdy mounting components allow for a secure and systematic on-site installation.



Stone counter and aprons provided by customer.

The Providence console incorporates a unique leveling pin in the bottom of the foot, allowing for 3/4" of height adjustment, correcting any out-of-level floor condition.

The design of the Providence wall support coordinates perfectly with the head details, and provides a reliable, concealed, and sound means of fixing stone to metal, and metal to wall.

PALMER INDUSTRIES

CUSTOM SINK LEG SOLUTIONS

NEWPORT

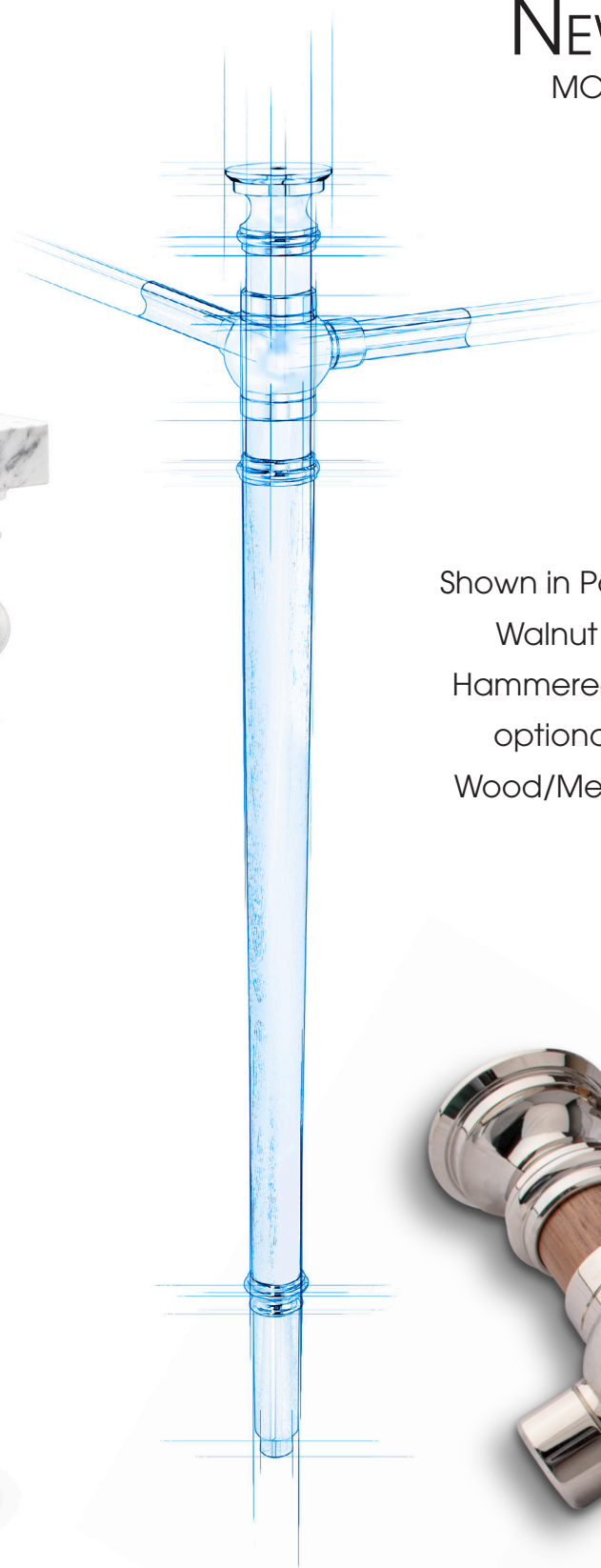
MODEL LS2N



The Newport washstand provides a classic pairing of two architecturally-pleasing materials: wood and metal. The warm and natural richness of wood, combined with the luster of metalwork, imparts a perfect balance to this design.

The Newport has a fixed leg height of 33 1/2"

Palmer Consoles are completely modular and custom built to any design and leg configuration



Shown in Polished Nickel with Walnut Legs, optional Hammered Ball Fittings and optional combination Wood/Metal front Crossbar



American Manufacturing



Providence, Rhode Island

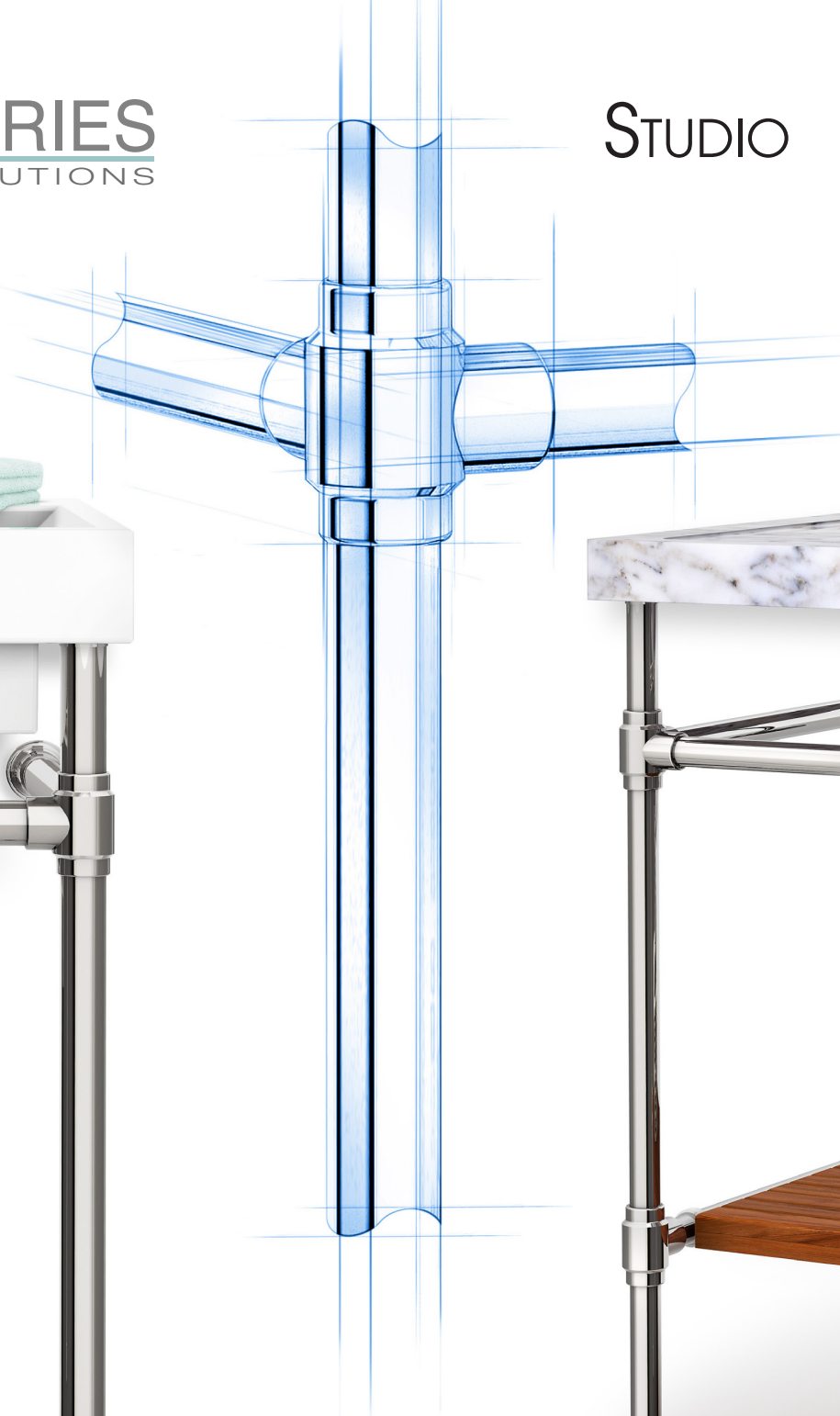
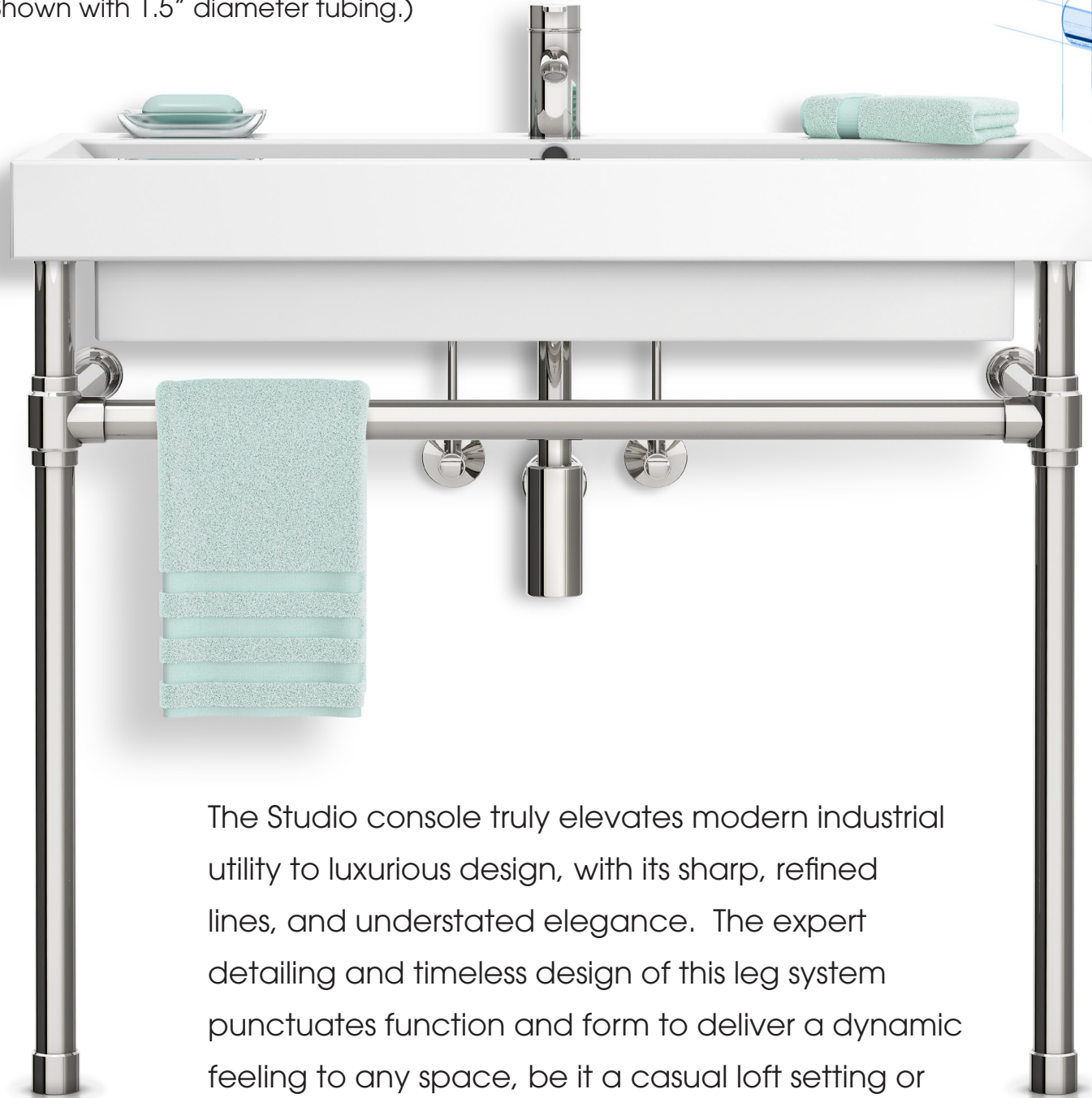
PALMER INDUSTRIES

CUSTOM SINK LEG SOLUTIONS

STUDIO

MODEL LS21S/C
(Shown with 1.0" diameter tubing,
optional shelf supports, and optional
Teak wood shelf.)

MODEL LS2S/C
(Shown with 1.5" diameter tubing.)



The Studio console truly elevates modern industrial utility to luxurious design, with its sharp, refined lines, and understated elegance. The expert detailing and timeless design of this leg system punctuates function and form to deliver a dynamic feeling to any space, be it a casual loft setting or sophisticated master bathroom.

Palmer Consoles are completely modular and custom built to any design and leg configuration

American Manufacturing



Providence, Rhode Island

PALMER INDUSTRIES
CUSTOM SINK LEG SOLUTIONS



MINIMAL
MODEL LS2M

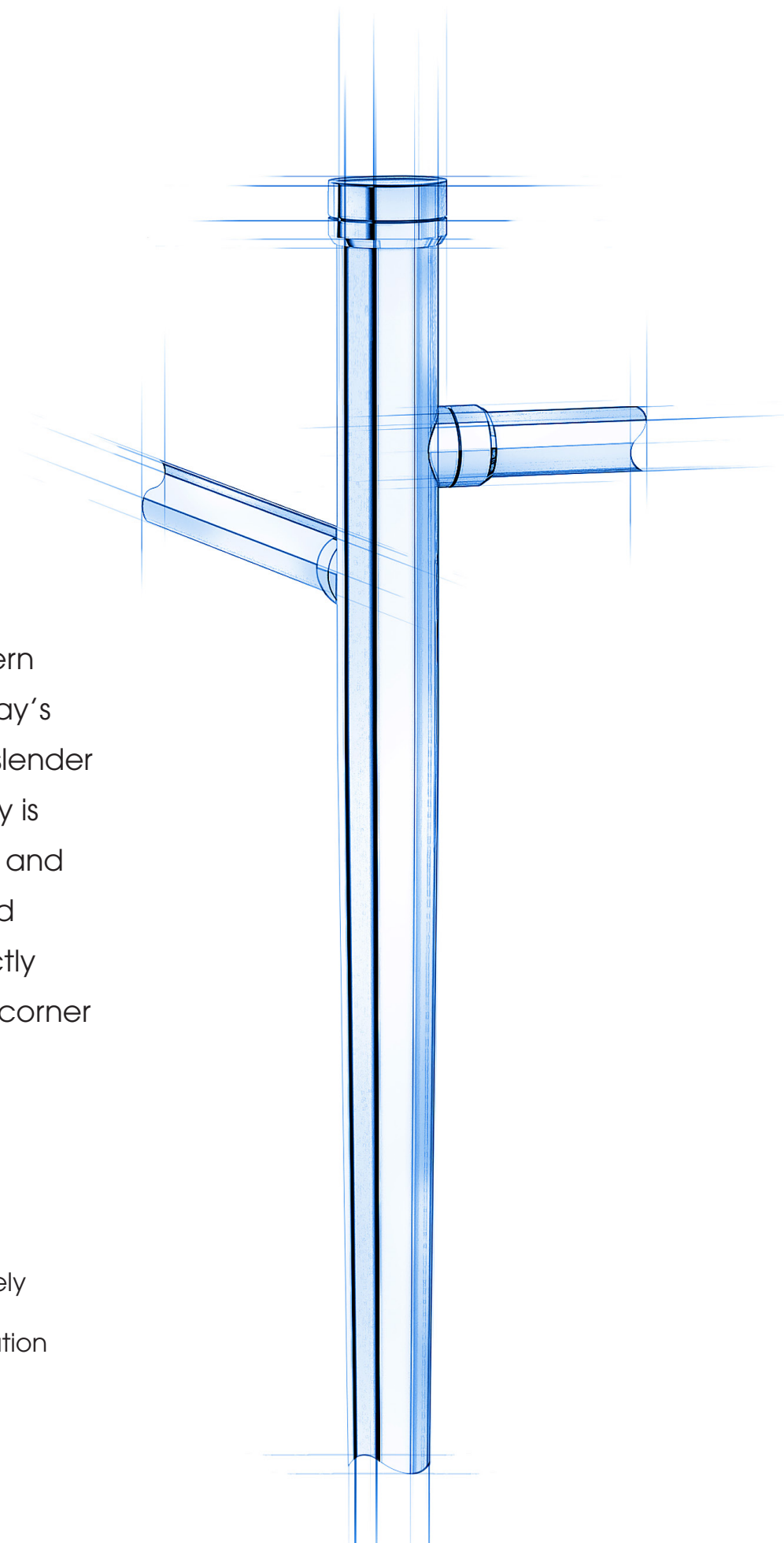
This Palmer model with our unadorned, tapered leg and minimal fittings affords a modern and fashionable sense for today's finer bathrooms. The refined, slender shape and elemental simplicity is characterized by flawless lines and dimensional details, evidenced by the simple foot, and perfectly matching top caps and sleek corner sockets.

Palmer Consoles are completely modular and custom built to any design and leg configuration

American Manufacturing



Providence, Rhode Island



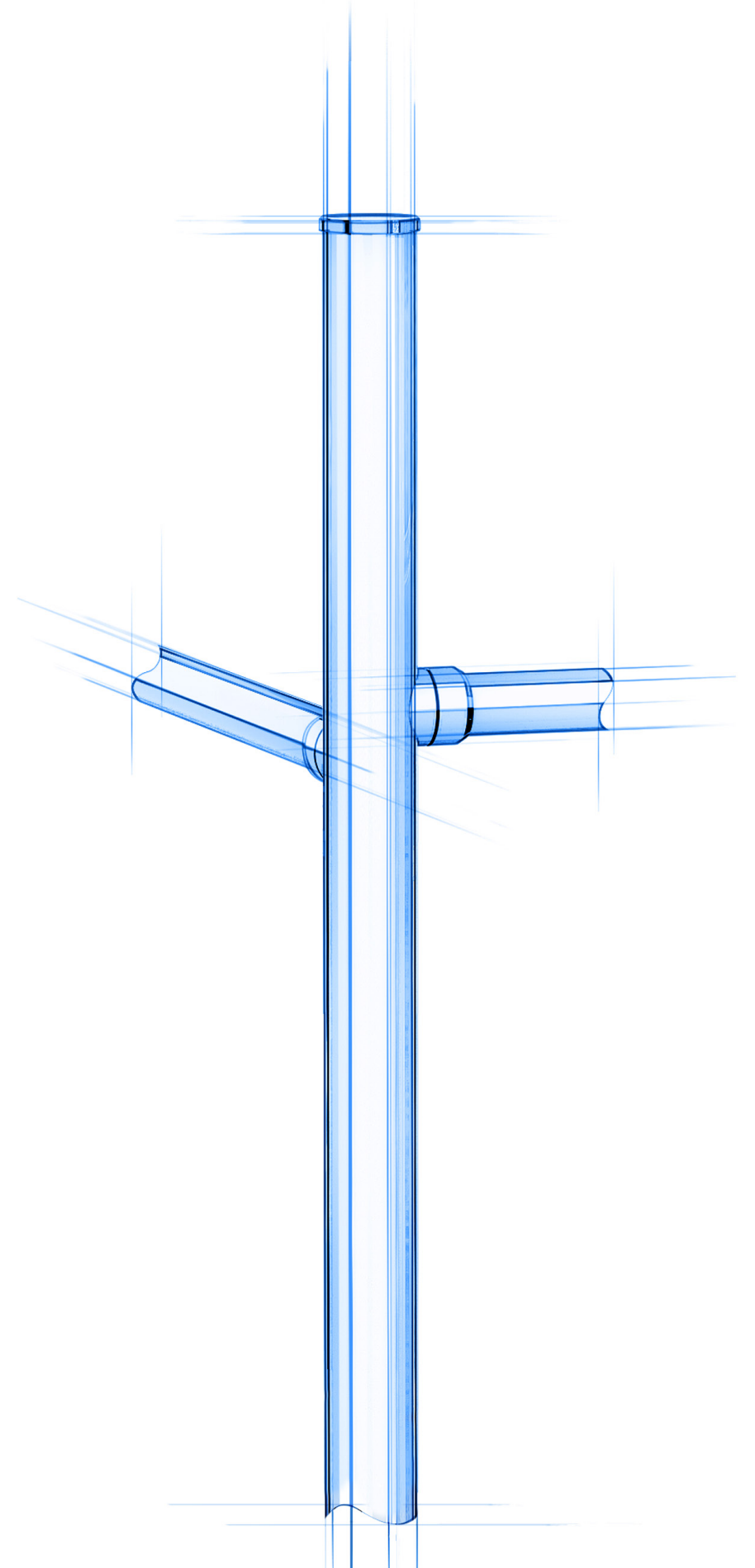


METRO
MODEL LS21MET

The Metro console captures the allure of clean lines and minimal detailing, perfectly suited for metropolitan life or loft settings. Its diminutive scale reflects a keen sense of balance and proportion, edited to essential elements with careful craftsmanship and modest appeal. This console utilizes 1" diameter legs with small 5/8" diameter crossbars.

(Shown with optional shelf supports and optional hotel-style shelf.)

Palmer Consoles are completely modular and custom built to any design and leg configuration



PALMER INDUSTRIES

CUSTOM SINK LEG SOLUTIONS

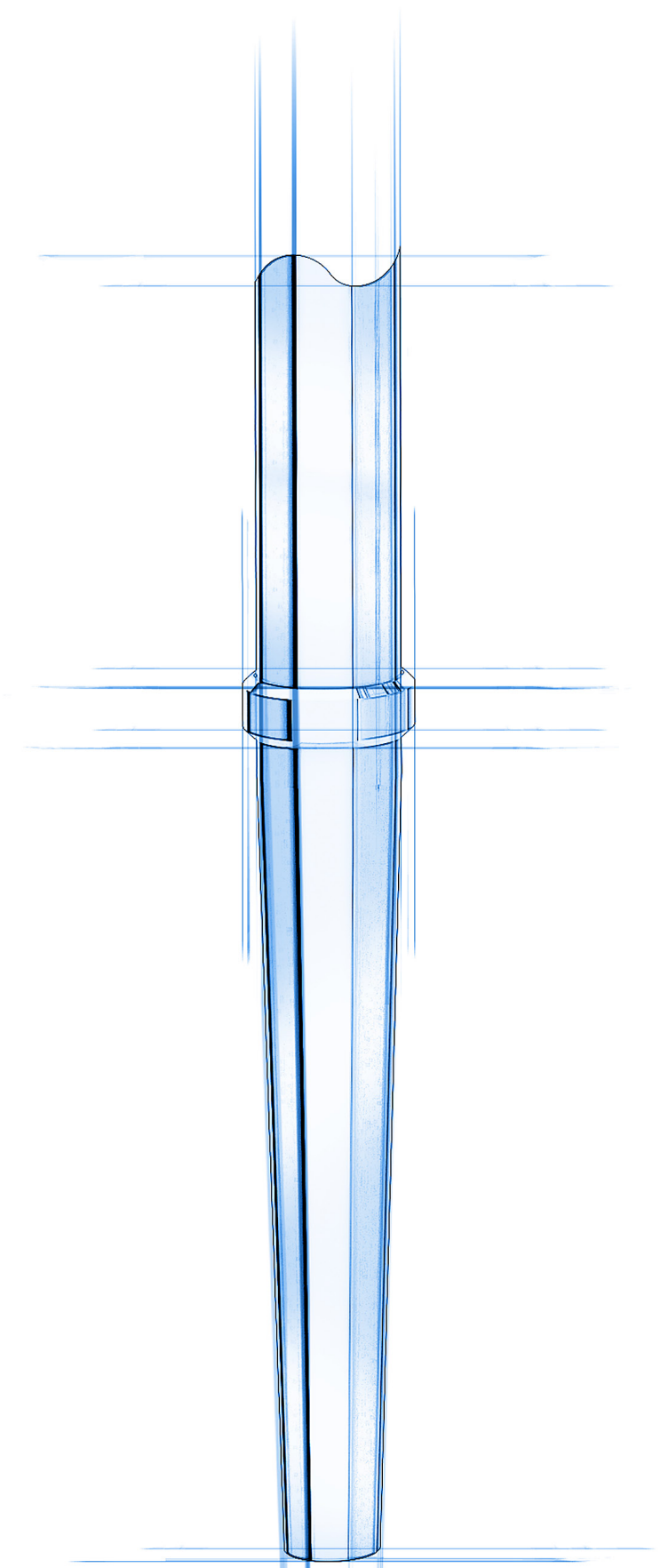


MODERN

MODEL LS2MOD

The Modern reflects a commitment to purity and simplicity of form, hallmarks of Danish Modern design, evidenced by the long slender foot, coordinating top cap, and simple, geometric lines. Its singular aesthetic combines with innovative engineering to offer a striking way to accent any modern bath.

Palmer Consoles are completely modular and custom built to any design and leg configuration

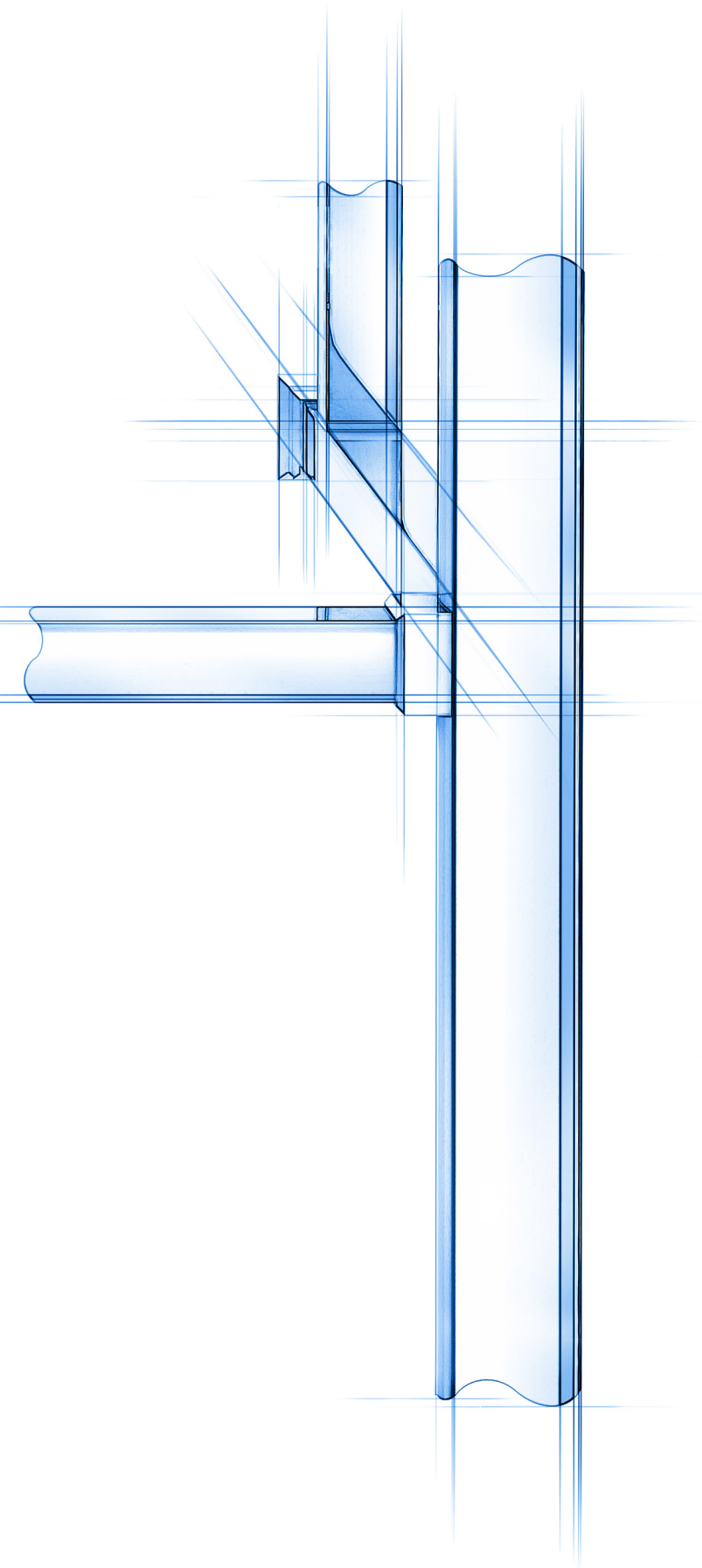




SQUARE
MODEL LS2SQ

This Palmer console leg system with square tubing affords a cleaner and more contemporary feel than our traditional models, perfect for modern and transitional design. The square tubing and sharp fittings all contribute to a simple yet stylish design working well with virtually any choice of vanity top. The strong horizontal and vertical lines of this model make a statement in any bath.

Palmer Consoles are completely modular and custom built to any design and leg configuration



American Manufacturing



Providence, Rhode Island

PALMER INDUSTRIES

CUSTOM SINK LEG SOLUTIONS



LINEAR

MODEL LS41L

The Linear leg system incorporates streamlined form with a modern silhouette. The integration of the strong rectilinear lines of our 1.0" square tubing with custom flush joinery creates this up-to-date look. The result is a fresh, stylish design well suited for today's contemporary bath.

(Shown with optional glass shelf.)

Palmer Consoles are completely modular and custom built to any design and leg configuration

American Manufacturing



Providence, Rhode Island

PALMER INDUSTRIES

CUSTOM SINK LEG SOLUTIONS



JAMESTOWN

MODEL LS2J

As shown with
Stone Forest Harbor counter,
optional Teak wood shelf
and optional shelf supports

Influenced by the kinship of modern innovation and classic design, the Jamestown imparts a feeling of strength and presence.

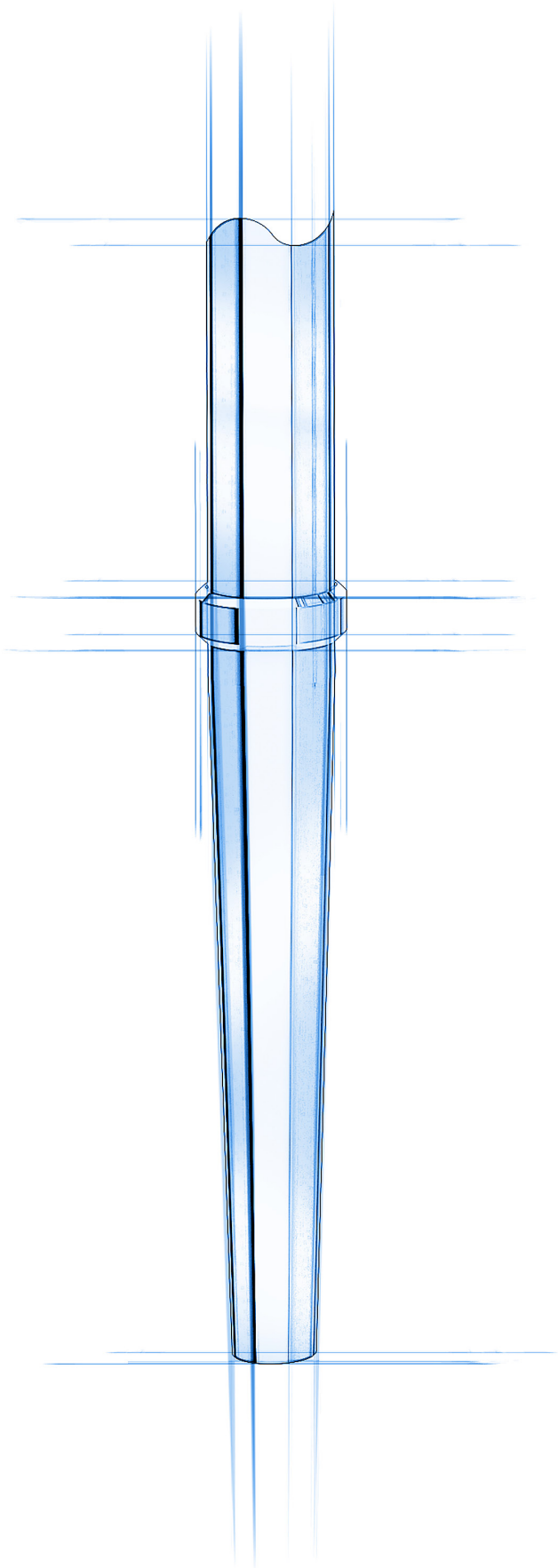
The sharp, refined lines of the Danish Modern foot and a gracefully curved crossbar accentuate the Jamestown's form, and achieve a tasteful blending of traditional appearance with a modern appeal.

Palmer Consoles are completely modular and custom built to any design and leg configuration

American Manufacturing



Providence, Rhode Island

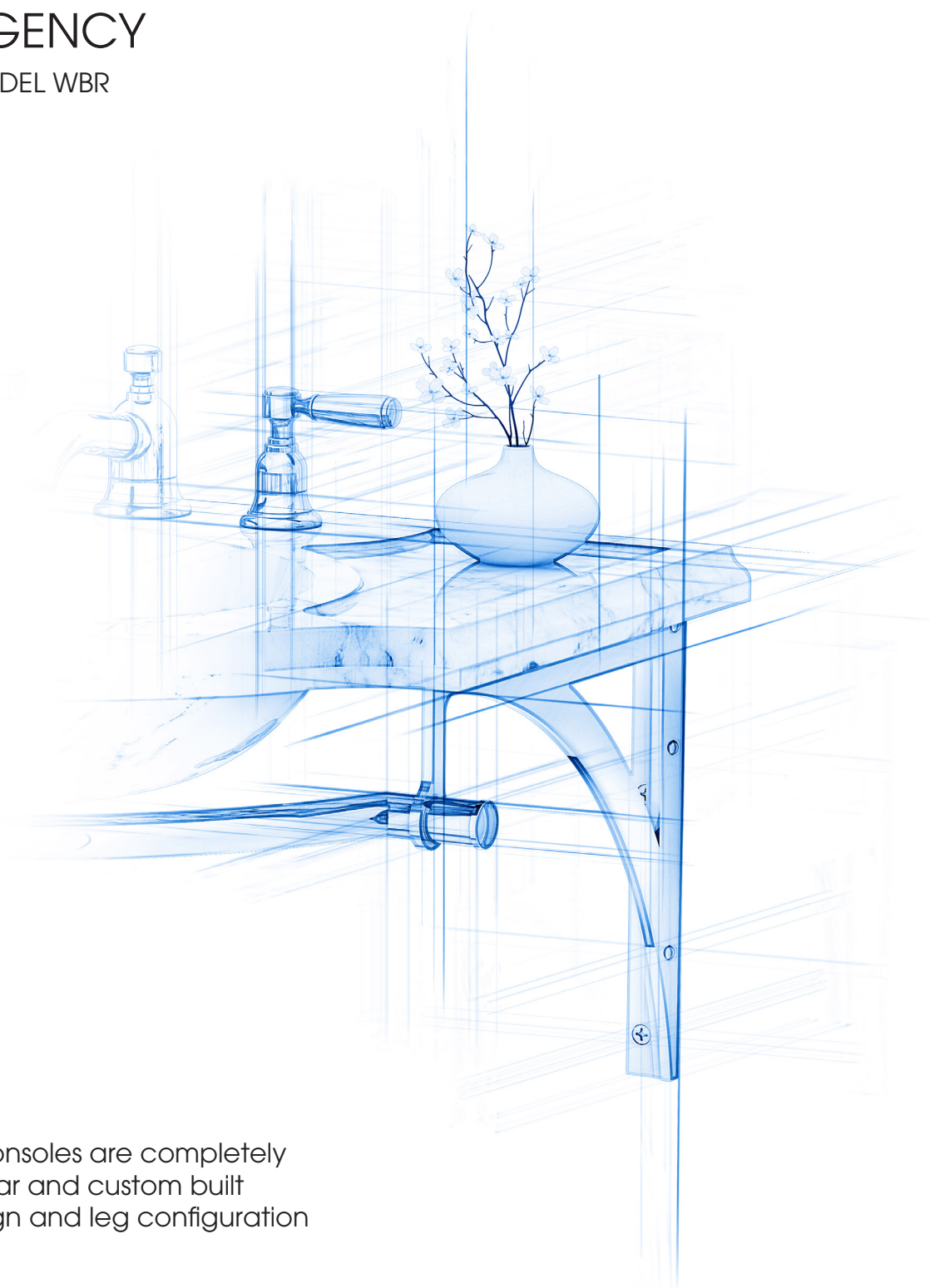




As shown with Stone Forest
Petite Renaissance counter

The details of the Regency model, with its soft curves and masculine flare contribute to this iconic and harmonious design, offering a wall-hung vanity option for applications when a leg system is not practical or a raised architectural concept is preferred. This design elevates the bath environment into a uniquely striking interior.

REGENCY
MODEL WBR



Palmer Consoles are completely
modular and custom built
to any design and leg configuration

American Manufacturing



Providence, Rhode Island

APEX

MODEL WMA

Featuring sharp lines and a well-established, structurally sound geometric form, the Apex presents both a modern and iconic flair. Offering a space-saving and simple wall-hung approach to vanity installations, this design with minimal exposed metalwork and a resolute stance will add architectural interest to any bathroom space.



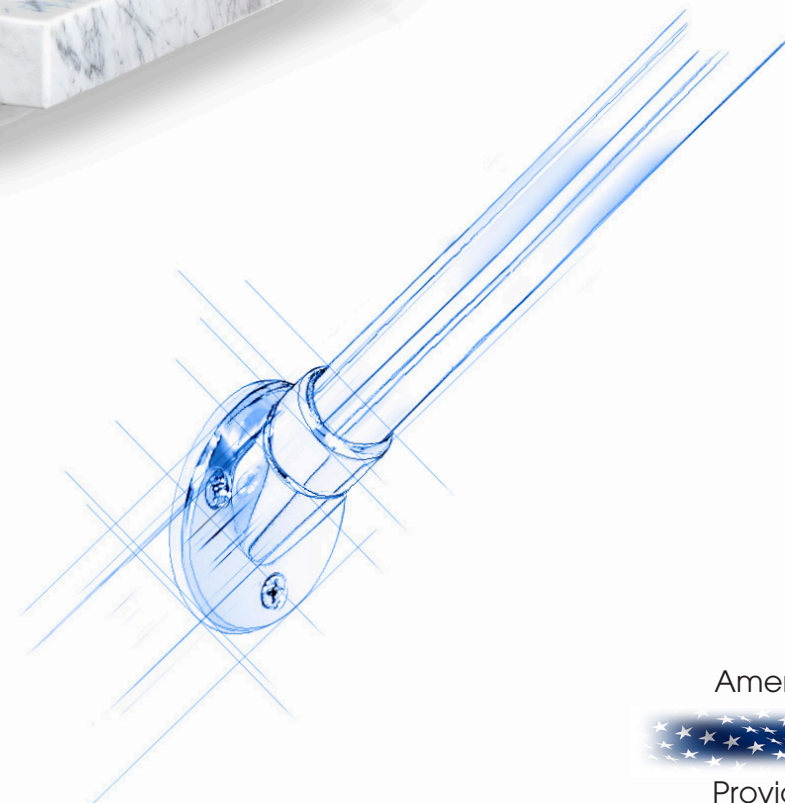
As Shown in Polished Brass
Un-Lacquered

PALMER INDUSTRIES

CUSTOM SINK LEG SOLUTIONS



As Shown in Polished Nickel
with Stone Forest
Vintage 27 Marble Top



Palmer Consoles are completely modular and custom built to any design and leg configuration

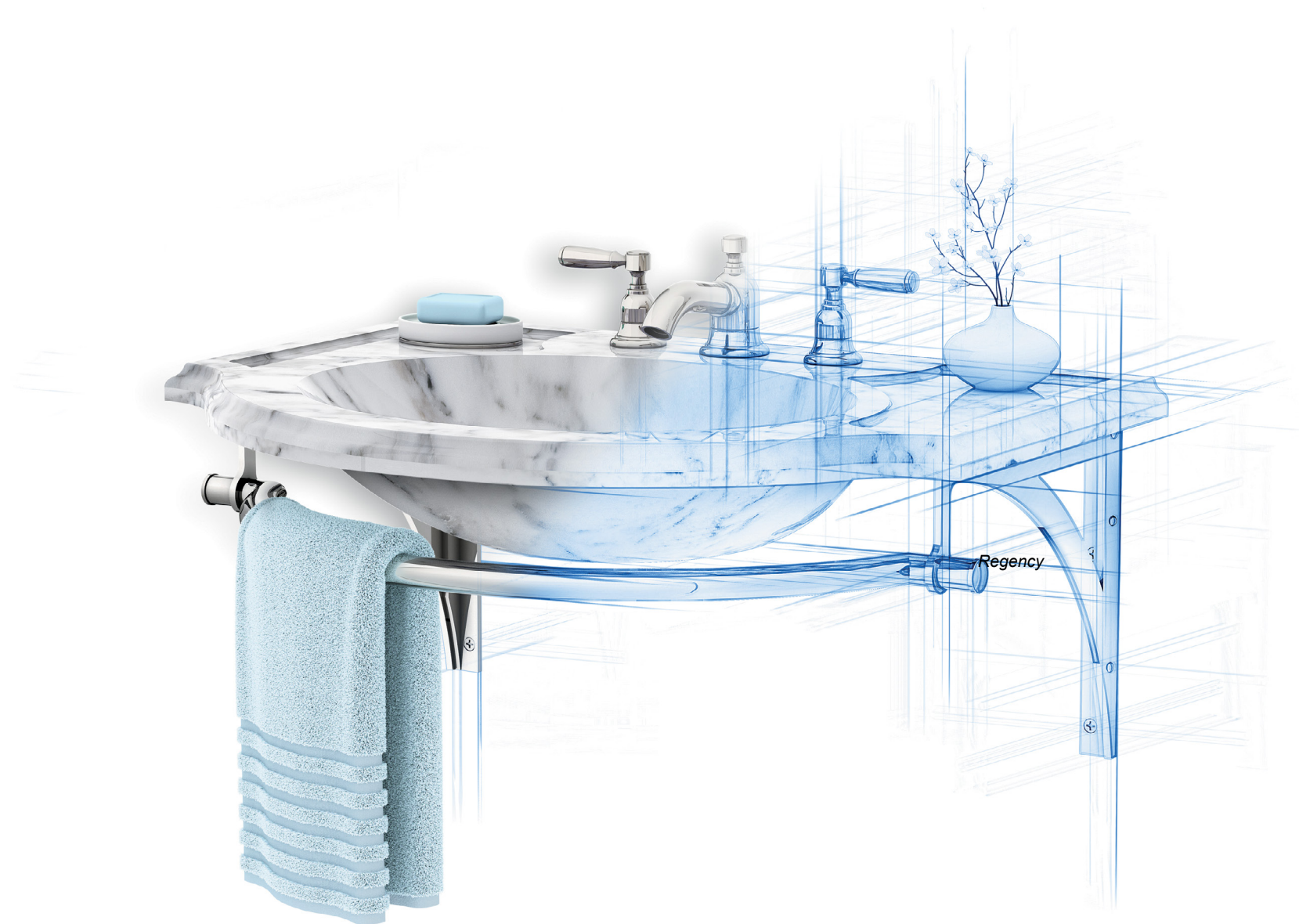
American Manufacturing



Providence, Rhode Island

PALMER INDUSTRIES

CUSTOM SINK LEG SOLUTIONS



Palmer Industries, Inc.
862R Charles Street - Suite A
North Providence, RI 02904
USA

Toll-free: 800-398-9676
Phone: 401-421-1730
Fax: 401-421-4238

Info@sinklegs.com
sinklegs.com
palmerindustries.com

American Manufacturing



Providence, Rhode Island

© 2018 Palmer Industries Inc. all rights reserved