



Table of Contents  
click on a page # to navigate



Studio with Catalano Zero 100 sink

Palmer Industries is the leading manufacturer of vanity sink legs. Palmer washstands are proudly manufactured in the USA – designed, fabricated, assembled, and packaged in our Rhode Island facility. We maintain complete control over the entire process, enabling Palmer to custom fabricate any size, configuration, and finish efficiently and accurately.

Styles		Images	Pricing
<i>Classic Collection</i>			
<b>T</b>	Tapered Foot	11	42
<b>C</b>	Decorative Collar	12	46
<b>BL</b>	Ball Foot	13	50
<b>B</b>	Bun Foot	14	54
<i>Traditional Collection</i>			
<b>E</b>	Essex	15	58
<b>W</b>	Westport	16	60
<b>CAP</b>	Capital	17	62
<b>K</b>	Kingston	18	64
<b>V</b>	Victorian	19	66
<b>REN</b>	Renaissance	20	67
<b>P</b>	Providence	21	68
<b>N</b>	Newport	21a	69a
<i>Modern Collection</i>			
<b>S</b>	Studio	22	70
<b>M</b>	Minimal	23	74
<b>MET</b>	Metro	24	76
<b>MOD</b>	Modern	25	80
<b>SQ</b>	Square	26	82
<b>L</b>	Linear	27	84
<b>J</b>	Jamestown	28	85
<i>Wall Mount Collection</i>			
<b>REG</b>	Regency	29	86
<b>A</b>	Apex	30	87
<i>Finishes, Options &amp; Accessories</i>			
	Finishes & Materials	32	90
	Shelving & Supports	34	92
	Options & Accessories	36	94
<i>Appendices</i>			
	Order Forms		98
	Packing & Shipping		100
	Policies & Procedures		101
	China Sinks		103
	Anatomy of a Leg System		104
	Tubing Diameter Reference		105

this entire catalog is available to dealers for download at Sinklegs.com



Modern



Working with architects & designers worldwide to produce unique

expressions of bathroom elegance

As a designer, engineer, and manufacturer of custom architectural metalwork, Palmer specializes in the production of America's finest Custom Vanity Sink Legs.

Sink Legs do not simply play a supporting role in the design of your vanity, they play the defining role. The choice between elegant legs or just a wood box changes everything...

A Palmer leg system will integrate perfectly with your unique choices of personal colors, wall, floor, and counter materials, plumbing fixtures, and style.

Palmer washstands will support any choice of counter material, such as granite, marble, quartz, porcelain, cement, Corian, glass, metal, or wood. You provide the counter, and Palmer will design the appropriate leg system exactly to your specifications ...a perfect marriage.

Engineered in solid brass and richly finished in a full palette of lustrous platings and hand-rubbed patinas, Palmer Industries brings you the finest in custom vanity sink legs, perfectly at home in your elegant master bedroom suite or your understated powder room.

Table of Contents

click on a page # to navigate

Styles		Images	Pricing
Style Code	Style Name		
<i>Classic Collection</i>			
<b>T</b>	Tapered Foot	11	42
<b>C</b>	Decorative Collar	12	46
<b>BL</b>	Ball Foot	13	50
<b>B</b>	Bun Foot	14	54
<i>Traditional Collection</i>			
<b>E</b>	Essex	15	58
<b>W</b>	Westport	16	60
<b>CAP</b>	Capital	17	62
<b>K</b>	Kingston	18	64
<b>V</b>	Victorian	19	66
<b>REN</b>	Renaissance	20	67
<b>P</b>	Providence	21	68
<b>N</b>	Newport	21a	69a
<i>Modern Collection</i>			
<b>S</b>	Studio	22	70
<b>M</b>	Minimal	23	74
<b>MET</b>	Metro	24	76
<b>MOD</b>	Modern	25	80
<b>SQ</b>	Square	26	82
<b>L</b>	Linear	27	84
<b>J</b>	Jamestown	28	85
<i>Wall Mount Collection</i>			
<b>REG</b>	Regency	29	86
<b>A</b>	Apex	30	87
<i>Finishes, Options &amp; Accessories</i>			
	Finishes & Materials	32	90
	Shelving & Supports	34	92
	Options & Accessories	36	94
<i>Appendices</i>			
	Order Forms		98
	Packing & Shipping		100
	Policies & Procedures		101
	China Sinks		103
	Anatomy of a Leg System		104
	Tubing Diameter Reference		105

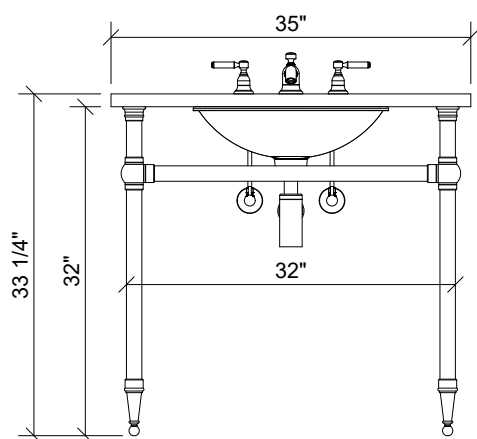
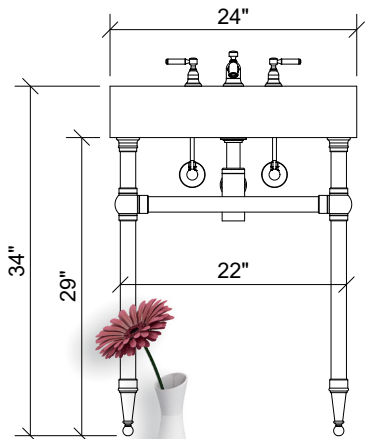
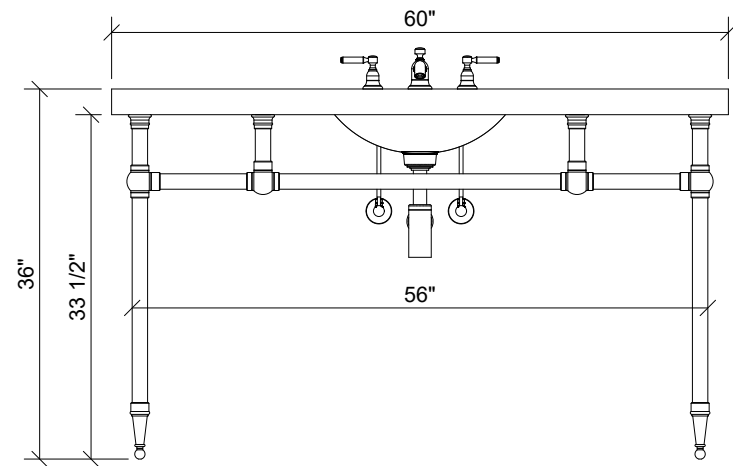




# At Palmer, Custom Sizing is not "Custom"...

Each and every leg system is built to order... one at a time... to your exact size

One artisan... One leg system... One individual "work of art"



Tapered Foot

Because Palmer hand builds ALL leg systems to order, we can easily adjust the width, depth, and finished height to suit your customer's exact needs for a modest additional cost.

Give us your counter dimensions and we'll deliver an exact fit.



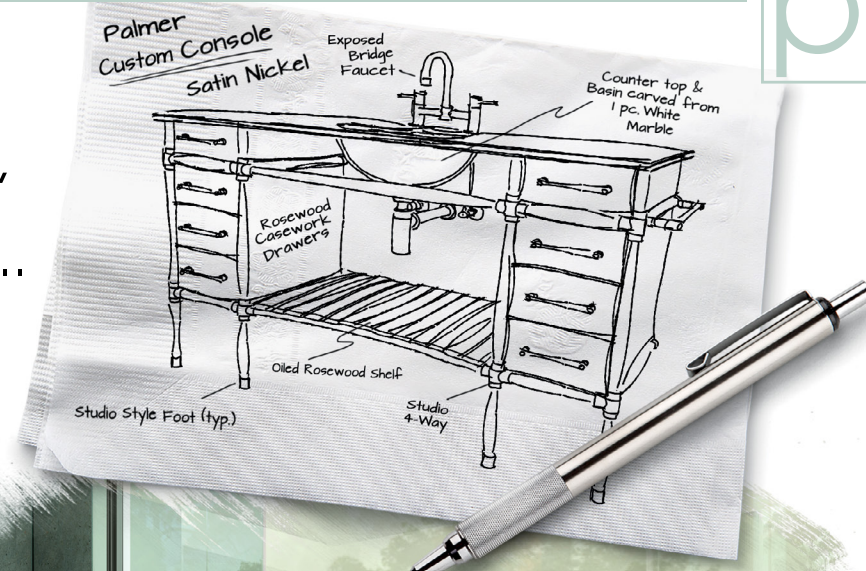
R-102717  
R-102717



# Palmer is a Boutique Designer & Manufacturer



If You Can Dream It, Palmer Can Build It...



From your inspiration to the final polishing touch, Palmer's dedicated team of engineers and artisans can take your project from conception to completion.

Provide us with your simple sketch, magazine clipping, or concept image from Houzz or Pinterest, and Palmer will quickly propose a solution to accommodate your design intent.

any style, any size, any configuration, and any finish...

## Table of Contents

click on a page # to navigate

### Styles

#### Classic Collection

	Images	Pricing
<b>T</b> Tapered Foot	11	42
<b>C</b> Decorative Collar	12	46
<b>BL</b> Ball Foot	13	50
<b>B</b> Bun Foot	14	54

#### Traditional Collection

<b>E</b> Essex	15	58
<b>W</b> Westport	16	60
<b>CAP</b> Capital	17	62
<b>K</b> Kingston	18	64
<b>V</b> Victorian	19	66
<b>REN</b> Renaissance	20	67
<b>P</b> Providence	21	68
<b>N</b> Newport	21a	69a

#### Modern Collection

<b>S</b> Studio	22	70
<b>M</b> Minimal	23	74
<b>MET</b> Metro	24	76
<b>MOD</b> Modern	25	80
<b>SQ</b> Square	26	82
<b>L</b> Linear	27	84
<b>J</b> Jamestown	28	85

#### Wall Mount Collection

<b>REG</b> Regency	29	86
<b>A</b> Apex	30	87

### Finishes, Options & Accessories

Finishes & Materials	32	90
Shelving & Supports	34	92
Options & Accessories	36	94

### Appendices

Order Forms	98
Packing & Shipping	100
Policies & Procedures	101
China Sinks	103
Anatomy of a Leg System	104
Tubing Diameter Reference	105



Palmer specializes in meeting your custom design needs:



Kingston

PALMER  
WE DO ALL THE LEG WORK FOR YOU



R-102717  
R-102717

# PALMER STYLES

a gallery of images



Westport



## Table of Contents

click on a page # to navigate

### Styles

#### Classic Collection

	Images	Pricing
<b>T</b> Tapered Foot	11	42
<b>C</b> Decorative Collar	12	46
<b>BL</b> Ball Foot	13	50
<b>B</b> Bun Foot	14	54

#### Traditional Collection

<b>E</b> Essex	15	58
<b>W</b> Westport	16	60
<b>CAP</b> Capital	17	62
<b>K</b> Kingston	18	64
<b>V</b> Victorian	19	66
<b>REN</b> Renaissance	20	67
<b>P</b> Providence	21	68
<b>N</b> Newport	21a	69a

#### Modern Collection

<b>S</b> Studio	22	70
<b>M</b> Minimal	23	74
<b>MET</b> Metro	24	76
<b>MOD</b> Modern	25	80
<b>SQ</b> Square	26	82
<b>L</b> Linear	27	84
<b>J</b> Jamestown	28	85

#### Wall Mount Collection

<b>REG</b> Regency	29	86
<b>A</b> Apex	30	87

#### Finishes, Options & Accessories

Finishes & Materials	32	90
Shelving & Supports	34	92
Options & Accessories	36	94

#### Appendices

Order Forms	98
Packing & Shipping	100
Policies & Procedures	101
China Sinks	103
Anatomy of a Leg System	104
Tubing Diameter Reference	105

# PALMER STYLES

a gallery of images

## Classic Collection

<b>T</b> Tapered Foot	11
<b>C</b> Decorative Collar	12
<b>BL</b> Ball Foot	13
<b>B</b> Bun Foot	14

## Traditional Collection

<b>E</b> Essex	15
<b>W</b> Westport	16
<b>CAP</b> Capital	17
<b>K</b> Kingston	18
<b>V</b> Victorian	19
<b>REN</b> Renaissance	20
<b>P</b> Providence	21

## Modern Collection

<b>S</b> Studio	22
<b>M</b> Minimal	23
<b>MET</b> Metro	24
<b>MOD</b> Modern	25
<b>SQ</b> Square	26
<b>L</b> Linear	27
<b>J</b> Jamestown	28

## Wall Mount Collection

<b>REG</b> Regency	29
<b>A</b> Apex	30



## The Classic Collection



## TAPERED FOOT

**T**

The *Tapered Foot* console, with its classic foot detail and distinctive ball corner joints, remains Palmer's most popular style.



LS21T with MTI Modern counter

available in 1 1/2" diameter and 1" diameter tubing

see pg. 42 for pricing & details

LS2T

## Table of Contents

click on a page # to navigate

### Styles

	Images	Pricing
<i>Classic Collection</i>		
<b>T</b> Tapered Foot	11	42
<b>C</b> Decorative Collar	12	46
<b>BL</b> Ball Foot	13	50
<b>B</b> Bun Foot	14	54
<i>Traditional Collection</i>		
<b>E</b> Essex	15	58
<b>W</b> Westport	16	60
<b>CAP</b> Capital	17	62
<b>K</b> Kingston	18	64
<b>V</b> Victorian	19	66
<b>REN</b> Renaissance	20	67
<b>P</b> Providence	21	68
<b>N</b> Newport	21a	69a
<i>Modern Collection</i>		
<b>S</b> Studio	22	70
<b>M</b> Minimal	23	74
<b>MET</b> Metro	24	76
<b>MOD</b> Modern	25	80
<b>SQ</b> Square	26	82
<b>L</b> Linear	27	84
<b>J</b> Jamestown	28	85
<i>Wall Mount Collection</i>		
<b>REG</b> Regency	29	86
<b>A</b> Apex	30	87

### Finishes, Options & Accessories

Finishes & Materials	32	90
Shelving & Supports	34	92
Options & Accessories	36	94

### Appendices

Order Forms	98
Packing & Shipping	100
Policies & Procedures	101
China Sinks	103
Anatomy of a Leg System	104
Tubing Diameter Reference	105



# DECORATIVE COLLAR

C

The crisply machined decorative collars, fitted underneath the corner joints and as feet, define the *Decorative Collar* style.



LS5C + TS5 + SS5R + TRL + TRR

shown above with optional hotel style shelf, rail shelf supports, and auxiliary towel rails

available in 1 1/2" diameter and 1" diameter tubing

see pg. 46 for pricing & details

LS2C

# BALL FOOT

BL

The *Ball Foot* style features Palmer's unique ball-and-socket corner joint, with its sharp lines and visual heft, paired with perfectly matching ball feet.



LS2BL + SD

shown with split diameter option

available in 1 1/2" diameter and 1" diameter tubing

see pg. 50 for pricing & details

LS2BL + SD

Styles

Classic Collection

	Images	Pricing
T Tapered Foot	11	42
C Decorative Collar	12	46
BL Ball Foot	13	50
B Bun Foot	14	54

Traditional Collection

E Essex	15	58
W Westport	16	60
CAP Capital	17	62
K Kingston	18	64
V Victorian	19	66
REN Renaissance	20	67
P Providence	21	68
N Newport	21a	69a

Modern Collection

S Studio	22	70
M Minimal	23	74
MET Metro	24	76
MOD Modern	25	80
SQ Square	26	82
L Linear	27	84
J Jamestown	28	85

Wall Mount Collection

REG Regency	29	86
A Apex	30	87

Finishes, Options & Accessories

Finishes & Materials	32	90
Shelving & Supports	34	92
Options & Accessories	36	94

Appendices

Order Forms	98
Packing & Shipping	100
Policies & Procedures	101
China Sinks	103
Anatomy of a Leg System	104
Tubing Diameter Reference	105



# BUN FOOT

**B**

The bun foot has long been a classic architectural feature in fine furniture design, and Palmer's *Bun Foot* console features a robust and elegant version of this prominent component.



LS2B + FR



LS2B

shown above with Palmer custom mirrors and optional front riser

available in 1 1/2" diameter and 1" diameter tubing

see pg. 54 for pricing & details



R-102717  
R-102717

LS2E

1 1/2" diameter legs tapering to 1" diameter at the foot

1" diameter crossbars

see pg. 58 for pricing & details



# ESSEX

**E**

Formerly known as the *Tapered Leg*, the *Essex* features a refined tapered leg with a slender foot and perfectly coordinated fittings.



LS2E

### Styles

#### Classic Collection

	Images	Pricing
<b>T</b> Tapered Foot	11	42
<b>C</b> Decorative Collar	12	46
<b>BL</b> Ball Foot	13	50
<b>B</b> Bun Foot	14	54

#### Traditional Collection

<b>E</b> Essex	15	58
<b>W</b> Westport	16	60
<b>CAP</b> Capital	17	62
<b>K</b> Kingston	18	64
<b>V</b> Victorian	19	66
<b>REN</b> Renaissance	20	67
<b>P</b> Providence	21	68
<b>N</b> Newport	21a	69a

#### Modern Collection

<b>S</b> Studio	22	70
<b>M</b> Minimal	23	74
<b>MET</b> Metro	24	76
<b>MOD</b> Modern	25	80
<b>SQ</b> Square	26	82
<b>L</b> Linear	27	84
<b>J</b> Jamestown	28	85

#### Wall Mount Collection

<b>REG</b> Regency	29	86
<b>A</b> Apex	30	87

### Finishes, Options & Accessories

Finishes & Materials	32	90
Shelving & Supports	34	92
Options & Accessories	36	94

### Appendices

Order Forms	98
Packing & Shipping	100
Policies & Procedures	101
China Sinks	103
Anatomy of a Leg System	104
Tubing Diameter Reference	105



# WESTPORT

W

The *Westport* features a round head transitioning to a slender leg, with complementary fittings, and a single horizontal crossbar.



LS2W



LS2W

1 1/2" diameter head  
1" diameter legs  
1" diameter crossbars

see pg. 60 for pricing & details



R-102717  
R-102717



LS2CAP

shown above with Palmer custom wall-mounted Towel Rack

1 1/2" square head  
1" diameter legs  
1" diameter crossbars

see pg. 62 for pricing & details

# CAPITAL

CAP

The *Capital* style is defined by its prominent square head, slender leg, and distinctive double horizontal crossbars.



LS2CAP

click on a page # to navigate

Styles

Classic Collection

	Images	Pricing
<b>T</b> Tapered Foot	11	42
<b>C</b> Decorative Collar	12	46
<b>BL</b> Ball Foot	13	50
<b>B</b> Bun Foot	14	54

Traditional Collection

<b>E</b> Essex	15	58
<b>W</b> Westport	16	60
<b>CAP</b> Capital	17	62
<b>K</b> Kingston	18	64
<b>V</b> Victorian	19	66
<b>REN</b> Renaissance	20	67
<b>P</b> Providence	21	68
<b>N</b> Newport	21a	69a

Modern Collection

<b>S</b> Studio	22	70
<b>M</b> Minimal	23	74
<b>MET</b> Metro	24	76
<b>MOD</b> Modern	25	80
<b>SQ</b> Square	26	82
<b>L</b> Linear	27	84
<b>J</b> Jamestown	28	85

Wall Mount Collection

<b>REG</b> Regency	29	86
<b>A</b> Apex	30	87

Finishes, Options & Accessories

Finishes & Materials	32	90
Shelving & Supports	34	92
Options & Accessories	36	94

Appendices

Order Forms	98
Packing & Shipping	100
Policies & Procedures	101
China Sinks	103
Anatomy of a Leg System	104
Tubing Diameter Reference	105





# KINGSTON

K

Vintage tapered legs with decorative collars, classic ball-and-socket joints, a tapered foot, and slender crossbars all combine to create the *Kingston*.



LS2K

1½" diameter legs tapering to 1" diameter at the foot

1" diameter crossbars

see pg. 64 for pricing & details

LS2K

# VICTORIAN

V

The *Victorian* offers an artfully crafted and open design, featuring auxiliary towel rails and split collar shelf supports, while incorporating ample storage space below.



LS41V

1" diameter legs  
5/8" diameter towel rails

see pg. 66 for pricing & details

shown with stone shelf supplied by customer

LS41V



Styles

Classic Collection

	Images	Pricing
<b>T</b> Tapered Foot	11	42
<b>C</b> Decorative Collar	12	46
<b>BL</b> Ball Foot	13	50
<b>B</b> Bun Foot	14	54

Traditional Collection

<b>E</b> Essex	15	58
<b>W</b> Westport	16	60
<b>CAP</b> Capital	17	62
<b>K</b> Kingston	18	64
<b>V</b> Victorian	19	66
<b>REN</b> Renaissance	20	67
<b>P</b> Providence	21	68
<b>N</b> Newport	21a	69a

Modern Collection

<b>S</b> Studio	22	70
<b>M</b> Minimal	23	74
<b>MET</b> Metro	24	76
<b>MOD</b> Modern	25	80
<b>SQ</b> Square	26	82
<b>L</b> Linear	27	84
<b>J</b> Jamestown	28	85

Wall Mount Collection

<b>REG</b> Regency	29	86
<b>A</b> Apex	30	87

Finishes, Options & Accessories

Finishes & Materials	32	90
Shelving & Supports	34	92
Options & Accessories	36	94

Appendices

Order Forms	98
Packing & Shipping	100
Policies & Procedures	101
China Sinks	103
Anatomy of a Leg System	104
Tubing Diameter Reference	105



# RENAISSANCE

REN

The *Renaissance* console, with its broadly sweeping center curve flanked by pairs of legs on either side, represents a classic and timeless architectural style.



LS41REN

shown above with Stone Forest Renaissance sink and featuring matching Palmer wall-mounted Towel Rack and free-standing Palmer Étagère

1" diameter legs  
1" diameter crossbars

see pg. 67 for pricing & details

LS41REN

# PROVIDENCE

P

The *Providence* model, featuring a striking square head, turned neck, and mildly tapered legs, seamlessly incorporates stone aprons (a "skirt") concealing the sink basin and hardware below the counter.



LS2P

2" square head

1 1/2" diameter legs tapering to 1" diameter at the foot

see pg. 68 for pricing & details

LS2P

Styles

Classic Collection

	Images	Pricing
<b>T</b> Tapered Foot	11	42
<b>C</b> Decorative Collar	12	46
<b>BL</b> Ball Foot	13	50
<b>B</b> Bun Foot	14	54

Traditional Collection

<b>E</b> Essex	15	58
<b>W</b> Westport	16	60
<b>CAP</b> Capital	17	62
<b>K</b> Kingston	18	64
<b>V</b> Victorian	19	66
<b>REN</b> Renaissance	20	67
<b>P</b> Providence	21	68
<b>N</b> Newport	21a	69a

Modern Collection

<b>S</b> Studio	22	70
<b>M</b> Minimal	23	74
<b>MET</b> Metro	24	76
<b>MOD</b> Modern	25	80
<b>SQ</b> Square	26	82
<b>L</b> Linear	27	84
<b>J</b> Jamestown	28	85

Wall Mount Collection

<b>REG</b> Regency	29	86
<b>A</b> Apex	30	87

Finishes, Options & Accessories

Finishes & Materials	32	90
Shelving & Supports	34	92
Options & Accessories	36	94

Appendices

Order Forms	98
Packing & Shipping	100
Policies & Procedures	101
China Sinks	103
Anatomy of a Leg System	104
Tubing Diameter Reference	105



# NEWPORT

N

A vanity console featuring the combination of classic metal finishes with the natural beauty of tapered heartwood legs.



LS2N

1 1/2" diameter wood legs tapering to 1" diameter at the foot

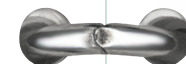
1" diameter crossbars

shown with optional hammered balls and optional wood & metal combination crossbar

LS2N



R-120518  
R-120518



Walnut with Polished Nickel

Walnut with Oil Rubbed Bronze

Walnut with Polished Brass

## Table of Contents

click on a page # to navigate

### Styles

#### Classic Collection

	Images	Pricing
<b>T</b> Tapered Foot	11	42
<b>C</b> Decorative Collar	12	46
<b>BL</b> Ball Foot	13	50
<b>B</b> Bun Foot	14	54

#### Traditional Collection

<b>E</b> Essex	15	58
<b>W</b> Westport	16	60
<b>CAP</b> Capital	17	62
<b>K</b> Kingston	18	64
<b>V</b> Victorian	19	66
<b>REN</b> Renaissance	20	67
<b>P</b> Providence	21	68
<b>N</b> Newport	21a	69a

#### Modern Collection

<b>S</b> Studio	22	70
<b>M</b> Minimal	23	74
<b>MET</b> Metro	24	76
<b>MOD</b> Modern	25	80
<b>SQ</b> Square	26	82
<b>L</b> Linear	27	84
<b>J</b> Jamestown	28	85

#### Wall Mount Collection

<b>REG</b> Regency	29	86
<b>A</b> Apex	30	87

#### Finishes, Options & Accessories

Finishes & Materials	32	90
Shelving & Supports	34	92
Options & Accessories	36	94

#### Appendices

Order Forms	98
Packing & Shipping	100
Policies & Procedures	101
China Sinks	103
Anatomy of a Leg System	104
Tubing Diameter Reference	105



# STUDIO S

The *Studio* console elevates modern industrial utility to a state of luxurious design with its sharp refined lines, and understated fittings.



LS2SNR with Catalano Zero 100 sink

available in 1 1/2" diameter and 1" diameter tubing

see pg. 70 for pricing & details

LS2SNR

# MINIMAL M

The *Minimal* model, with its unadorned tapered legs and clean fittings, affords a sleek and fashionable sense for today's modern bathrooms.



LS2M with Duravit DuraStyle sink

1 1/2" diameter legs tapering to 1" diameter at the foot

1" diameter crossbars

see pg. 74 for pricing & details

LS2M

### Styles

#### Classic Collection

	Images	Pricing
<b>T</b> Tapered Foot	11	42
<b>C</b> Decorative Collar	12	46
<b>BL</b> Ball Foot	13	50
<b>B</b> Bun Foot	14	54

#### Traditional Collection

<b>E</b> Essex	15	58
<b>W</b> Westport	16	60
<b>CAP</b> Capital	17	62
<b>K</b> Kingston	18	64
<b>V</b> Victorian	19	66
<b>REN</b> Renaissance	20	67
<b>P</b> Providence	21	68
<b>N</b> Newport	21a	69a

#### Modern Collection

<b>S</b> Studio	22	70
<b>M</b> Minimal	23	74
<b>MET</b> Metro	24	76
<b>MOD</b> Modern	25	80
<b>SQ</b> Square	26	82
<b>L</b> Linear	27	84
<b>J</b> Jamestown	28	85

#### Wall Mount Collection

<b>REG</b> Regency	29	86
<b>A</b> Apex	30	87

#### Finishes, Options & Accessories

Finishes & Materials	32	90
Shelving & Supports	34	92
Options & Accessories	36	94

#### Appendices

Order Forms	98
Packing & Shipping	100
Policies & Procedures	101
China Sinks	103
Anatomy of a Leg System	104
Tubing Diameter Reference	105



# METRO

MET

The *Metro* console offers clean uninterrupted lines and simple styling, in a diminutive scale well suited to smaller spaces.



LS21MET + TS2 + SS2LP with Duravit Vero sink



LS21MET + TS2 + SS2LP

shown with optional hotel style shelf and low profile shelf supports

available in 1" diameter legs with 5/8" diameter offset crossbars (as shown), and also 1 1/2" diameter legs with 1" diameter offset crossbars

see pg. 76 for pricing & details



R-102717  
R-102717



LS2MOD

1 1/2" diameter legs  
1" diameter crossbars

see pg. 80 for pricing & details

# MODERN

MOD

Inspired by Danish Modern design, the *Modern* console features a long sleek foot, smooth contours, and simple geometric patterns.



LS2MOD

## Styles

### Classic Collection

	Images	Pricing
<b>T</b> Tapered Foot	11	42
<b>C</b> Decorative Collar	12	46
<b>BL</b> Ball Foot	13	50
<b>B</b> Bun Foot	14	54

### Traditional Collection

<b>E</b> Essex	15	58
<b>W</b> Westport	16	60
<b>CAP</b> Capital	17	62
<b>K</b> Kingston	18	64
<b>V</b> Victorian	19	66
<b>REN</b> Renaissance	20	67
<b>P</b> Providence	21	68
<b>N</b> Newport	21a	69a

### Modern Collection

<b>S</b> Studio	22	70
<b>M</b> Minimal	23	74
<b>MET</b> Metro	24	76
<b>MOD</b> Modern	25	80
<b>SQ</b> Square	26	82
<b>L</b> Linear	27	84
<b>J</b> Jamestown	28	85

### Wall Mount Collection

<b>REG</b> Regency	29	86
<b>A</b> Apex	30	87

### Finishes, Options & Accessories

Finishes & Materials	32	90
Shelving & Supports	34	92
Options & Accessories	36	94

### Appendices

Order Forms	98
Packing & Shipping	100
Policies & Procedures	101
China Sinks	103
Anatomy of a Leg System	104
Tubing Diameter Reference	105



# SQUARE

SQ

The contemporary *Square* model is defined by its strong horizontal and vertical lines created by the crisp-edge square tubing, and punctuated by complementary square and stylish fittings.



LS2SQ

1 1/2" square legs  
1" square crossbars

see pg. 82 for pricing & details

LS2SQ with Duravit Vero sink



LS41L + GS4

1" square legs  
1" square crossbars

shown with optional glass shelf

Linear not recommended for use with china sinks

see pg. 84 for pricing & details

# LINEAR

L

The integration of the strong rectilinear lines of square tubing with concealed flush joinery creates the cutting-edge look and appeal of the *Linear* console.



LS41L + GS4

## Styles

### Classic Collection

	Images	Pricing
<b>T</b> Tapered Foot	11	42
<b>C</b> Decorative Collar	12	46
<b>BL</b> Ball Foot	13	50
<b>B</b> Bun Foot	14	54

### Traditional Collection

<b>E</b> Essex	15	58
<b>W</b> Westport	16	60
<b>CAP</b> Capital	17	62
<b>K</b> Kingston	18	64
<b>V</b> Victorian	19	66
<b>REN</b> Renaissance	20	67
<b>P</b> Providence	21	68
<b>N</b> Newport	21a	69a

### Modern Collection

<b>S</b> Studio	22	70
<b>M</b> Minimal	23	74
<b>MET</b> Metro	24	76
<b>MOD</b> Modern	25	80
<b>SQ</b> Square	26	82
<b>L</b> Linear	27	84
<b>J</b> Jamestown	28	85

### Wall Mount Collection

<b>REG</b> Regency	29	86
<b>A</b> Apex	30	87

### Finishes, Options & Accessories

Finishes & Materials	32	90
Shelving & Supports	34	92
Options & Accessories	36	94

### Appendices

Order Forms	98
Packing & Shipping	100
Policies & Procedures	101
China Sinks	103
Anatomy of a Leg System	104
Tubing Diameter Reference	105



# JAMESTOWN

J

The smooth refined lines of the Danish Modern foot and a gracefully curved crossbar define the *Jamestown* form, and achieve a tasteful blending of traditional form with modern appeal.



LS2J + WS2 + SS2LP

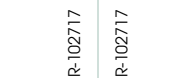
1 1/2" diameter legs  
1" diameter crossbars

shown at left with Stone Forest Harbor sink, optional Teak wood shelf, & low profile shelf supports

see pg. 85 for pricing & details



LS2J + GS2 + SS2GC



R-102717  
R-102717



# REGENCY

REG

The *Regency* model, with its soft curves and masculine flair, offers a wall-hung vanity option for applications when a leg system is not practical, or a raised architectural concept is preferred.



WMREG

1" diameter crossbar



WMREG

shown with Stone Forest Petite Renaissance sink

see pg. 86 for pricing & details

### Styles

#### Classic Collection

	Images	Pricing
<b>T</b> Tapered Foot	11	42
<b>C</b> Decorative Collar	12	46
<b>BL</b> Ball Foot	13	50
<b>B</b> Bun Foot	14	54

#### Traditional Collection

<b>E</b> Essex	15	58
<b>W</b> Westport	16	60
<b>CAP</b> Capital	17	62
<b>K</b> Kingston	18	64
<b>V</b> Victorian	19	66
<b>REN</b> Renaissance	20	67
<b>P</b> Providence	21	68
<b>N</b> Newport	21a	69a

#### Modern Collection

<b>S</b> Studio	22	70
<b>M</b> Minimal	23	74
<b>MET</b> Metro	24	76
<b>MOD</b> Modern	25	80
<b>SQ</b> Square	26	82
<b>L</b> Linear	27	84
<b>J</b> Jamestown	28	85

#### Wall Mount Collection

<b>REG</b> Regency	29	86
<b>A</b> Apex	30	87

#### Finishes, Options & Accessories

Finishes & Materials	32	90
Shelving & Supports	34	92
Options & Accessories	36	94

#### Appendices

Order Forms	98
Packing & Shipping	100
Policies & Procedures	101
China Sinks	103
Anatomy of a Leg System	104
Tubing Diameter Reference	105



# APEX

A

Featuring minimal exposed metalwork and a structurally sound geometric form, the Apex offers a space-saving and simple wall-hung approach to vanity installations.



WMA

1" diameter tubing

shown with Stone Forest Vintage 27 sink

WMA

see pg. 87 for pricing & details



R-102717  
R-102717



WMAC

1" diameter tubing

WMAC

# APEX

A

The Apex with the decorative collar option presents a more ornate style variant to this geometrically simple design.



shown with Stone Forest Vintage 27 sink

see pg. 87 for pricing & details

click on a page # to navigate

### Styles

#### Classic Collection

	Images	Pricing
<b>T</b> Tapered Foot	11	42
<b>C</b> Decorative Collar	12	46
<b>BL</b> Ball Foot	13	50
<b>B</b> Bun Foot	14	54

#### Traditional Collection

<b>E</b> Essex	15	58
<b>W</b> Westport	16	60
<b>CAP</b> Capital	17	62
<b>K</b> Kingston	18	64
<b>V</b> Victorian	19	66
<b>REN</b> Renaissance	20	67
<b>P</b> Providence	21	68
<b>N</b> Newport	21a	69a

#### Modern Collection

<b>S</b> Studio	22	70
<b>M</b> Minimal	23	74
<b>MET</b> Metro	24	76
<b>MOD</b> Modern	25	80
<b>SQ</b> Square	26	82
<b>L</b> Linear	27	84
<b>J</b> Jamestown	28	85

#### Wall Mount Collection

<b>REG</b> Regency	29	86
<b>A</b> Apex	30	87

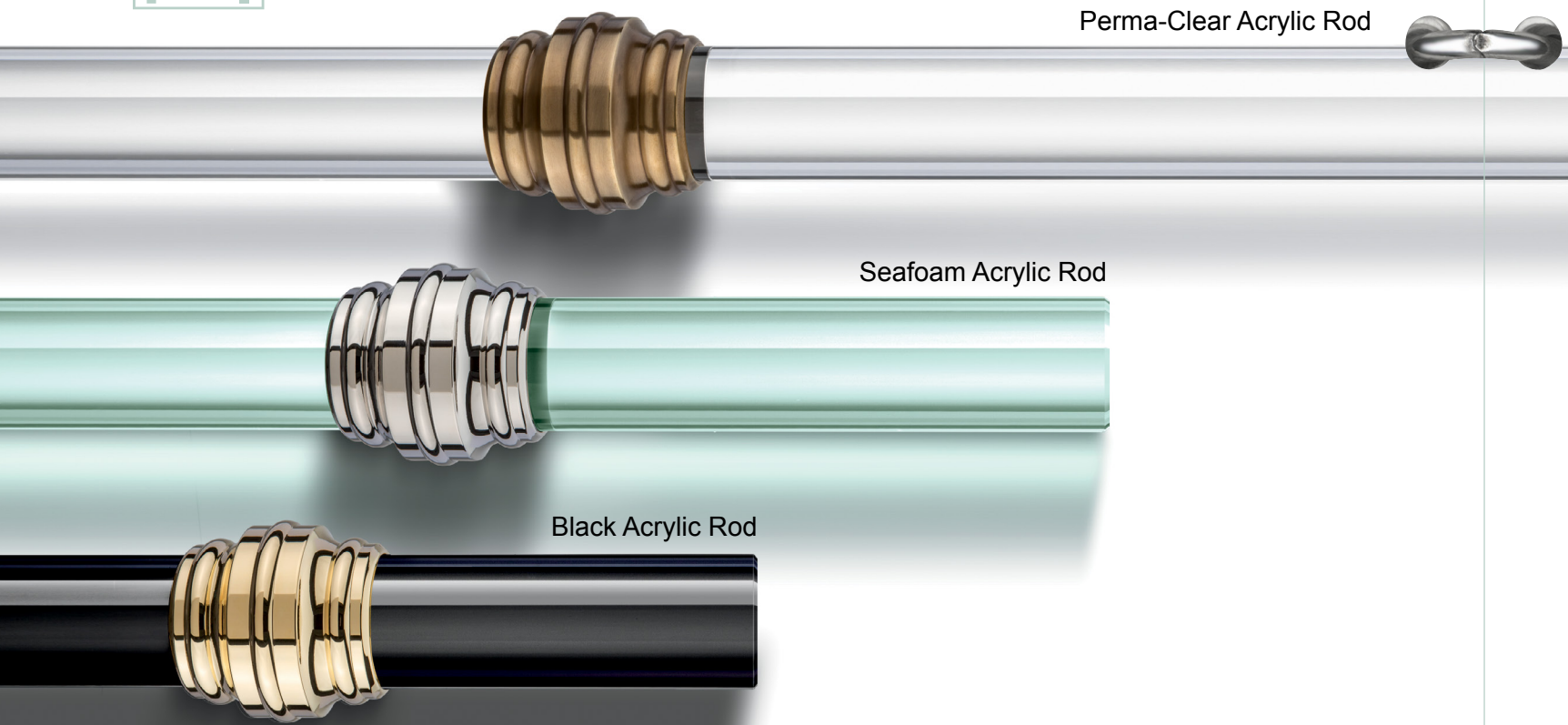
#### Finishes, Options & Accessories

Finishes & Materials	32	90
Shelving & Supports	34	92
Options & Accessories	36	94

#### Appendices

Order Forms	98
Packing & Shipping	100
Policies & Procedures	101
China Sinks	103
Anatomy of a Leg System	104
Tubing Diameter Reference	105

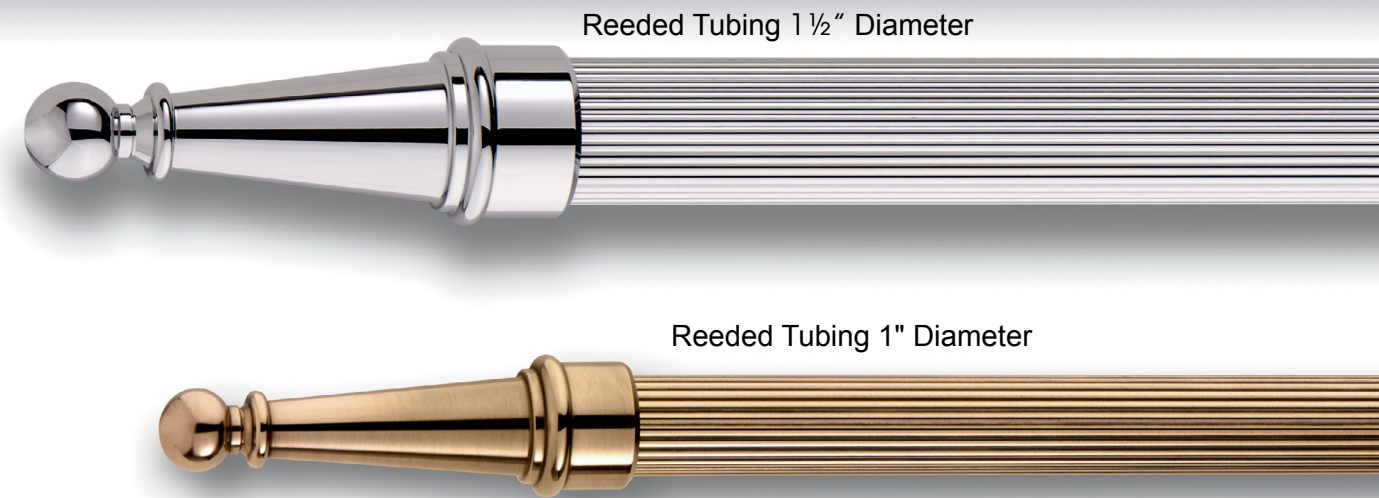




Perma-Clear Acrylic Rod

Seafoam Acrylic Rod

Black Acrylic Rod



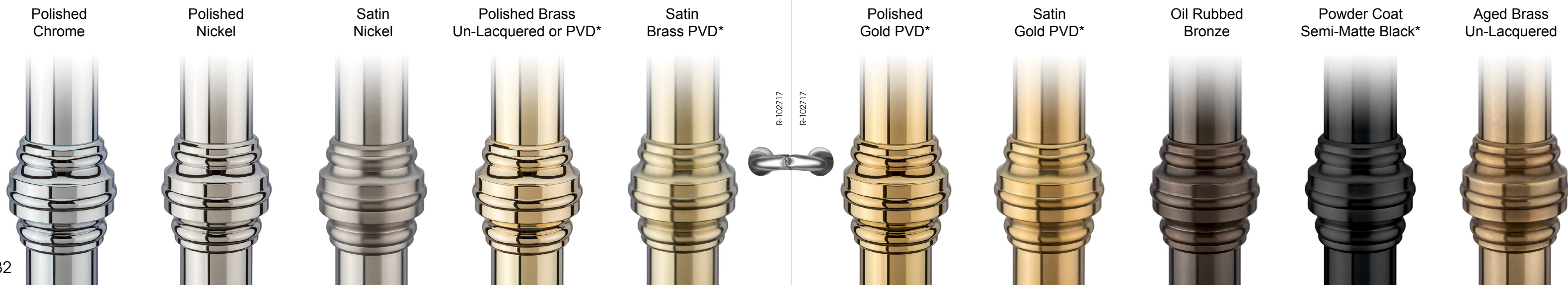
Reeded Tubing 1 1/2" Diameter

Reeded Tubing 1" Diameter

# The Polished Look of Palmer Perfection

The Palmer Palette includes a rich range of luxurious and durable platings, PVD coatings, and hand-rubbed "living finish" patinas. With the addition of clear and colored acrylic rods, reeded tubing, and our many functional accessories, your design choices are virtually unlimited...

\* contact Palmer for pricing & delivery of PVD and Powder Coat finishes



Polished Chrome

Polished Nickel

Satin Nickel

Polished Brass Un-Lacquered or PVD\*

Satin Brass PVD\*

Polished Gold PVD\*

Satin Gold PVD\*

Oil Rubbed Bronze

Powder Coat Semi-Matte Black\*

Aged Brass Un-Lacquered

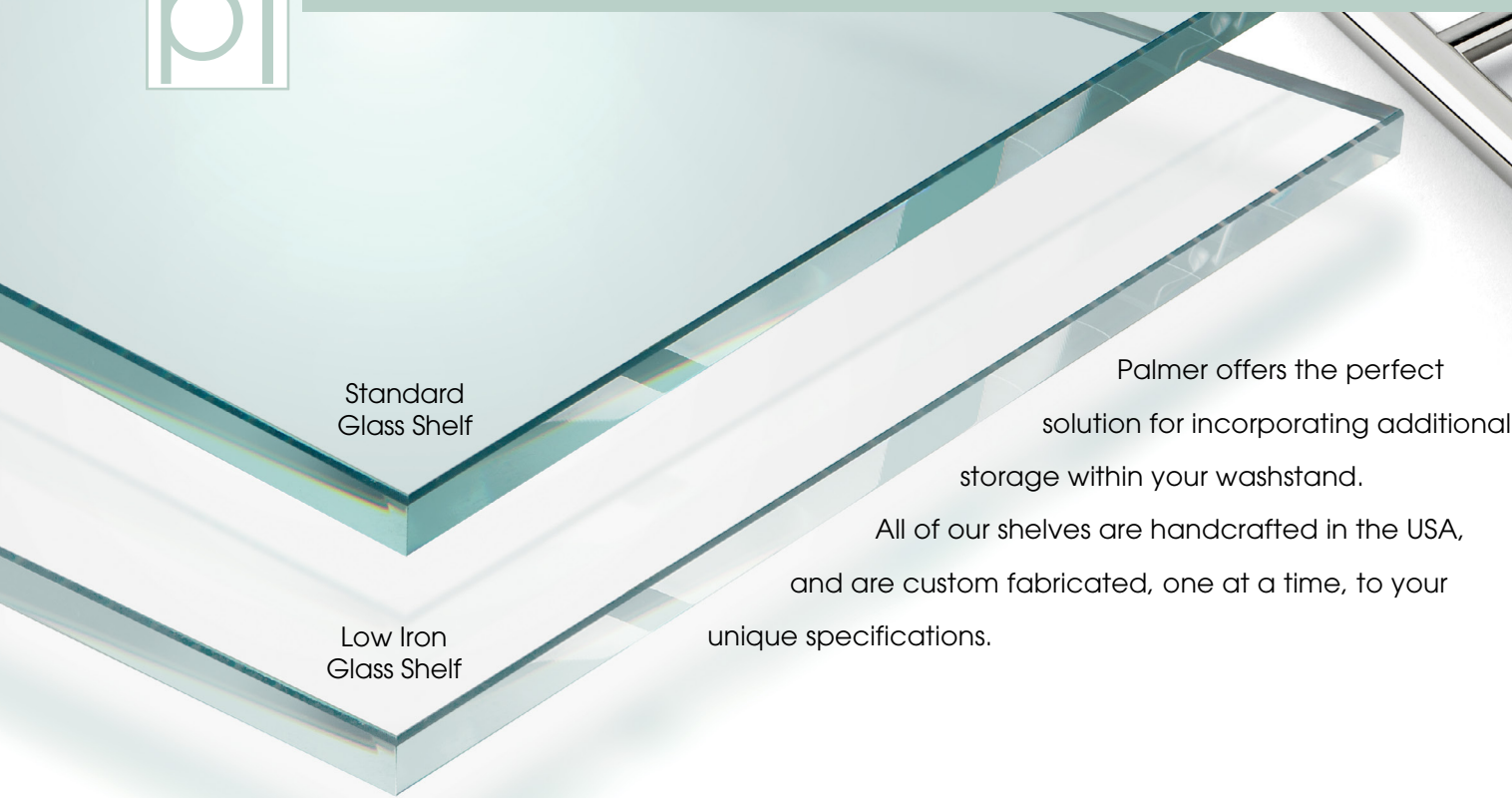
Styles		Images	Pricing
<i>Classic Collection</i>			
<b>T</b>	Tapered Foot	11	42
<b>C</b>	Decorative Collar	12	46
<b>BL</b>	Ball Foot	13	50
<b>B</b>	Bun Foot	14	54
<i>Traditional Collection</i>			
<b>E</b>	Essex	15	58
<b>W</b>	Westport	16	60
<b>CAP</b>	Capital	17	62
<b>K</b>	Kingston	18	64
<b>V</b>	Victorian	19	66
<b>REN</b>	Renaissance	20	67
<b>P</b>	Providence	21	68
<b>N</b>	Newport	21a	69a
<i>Modern Collection</i>			
<b>S</b>	Studio	22	70
<b>M</b>	Minimal	23	74
<b>MET</b>	Metro	24	76
<b>MOD</b>	Modern	25	80
<b>SQ</b>	Square	26	82
<b>L</b>	Linear	27	84
<b>J</b>	Jamestown	28	85
<i>Wall Mount Collection</i>			
<b>REG</b>	Regency	29	86
<b>A</b>	Apex	30	87

### Finishes, Options & Accessories

Finishes & Materials	32	90
Shelving & Supports	34	92
Options & Accessories	36	94

### Appendices

Order Forms	98
Packing & Shipping	100
Policies & Procedures	101
China Sinks	103
Anatomy of a Leg System	104
Tubing Diameter Reference	105



Standard Glass Shelf

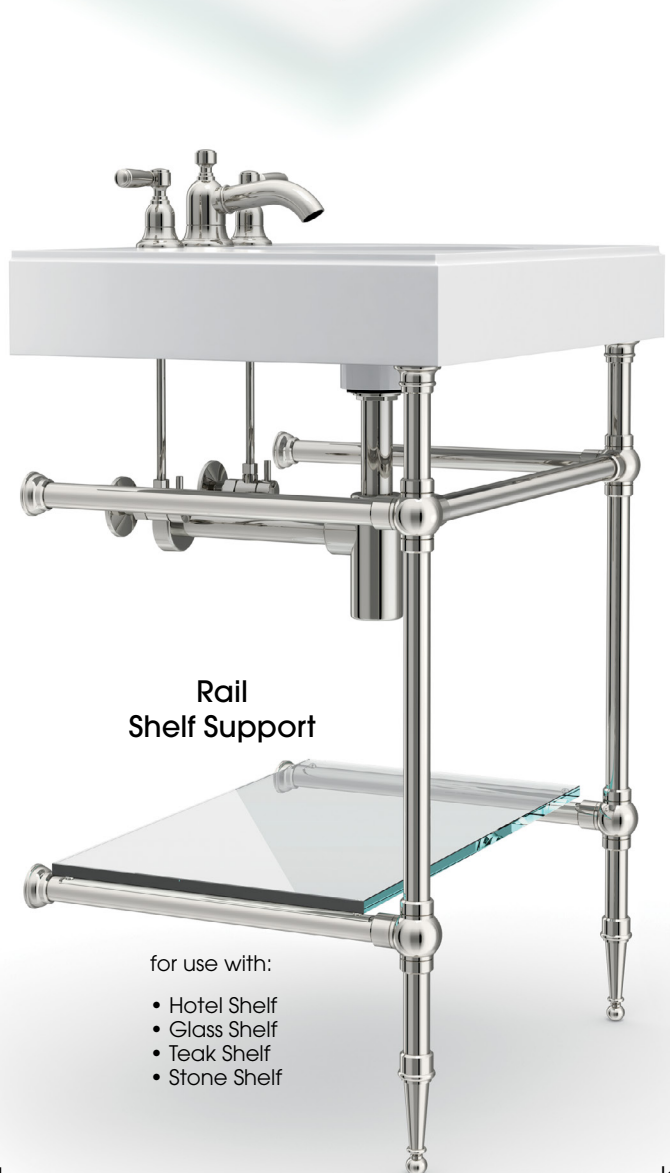
Low Iron Glass Shelf

Palmer offers the perfect solution for incorporating additional storage within your washstand. All of our shelves are handcrafted in the USA, and are custom fabricated, one at a time, to your unique specifications.



Hotel Style Tubular Metal Shelf

Teak Wood Shelf



Rail Shelf Support

for use with:

- Hotel Shelf
- Glass Shelf
- Teak Shelf
- Stone Shelf

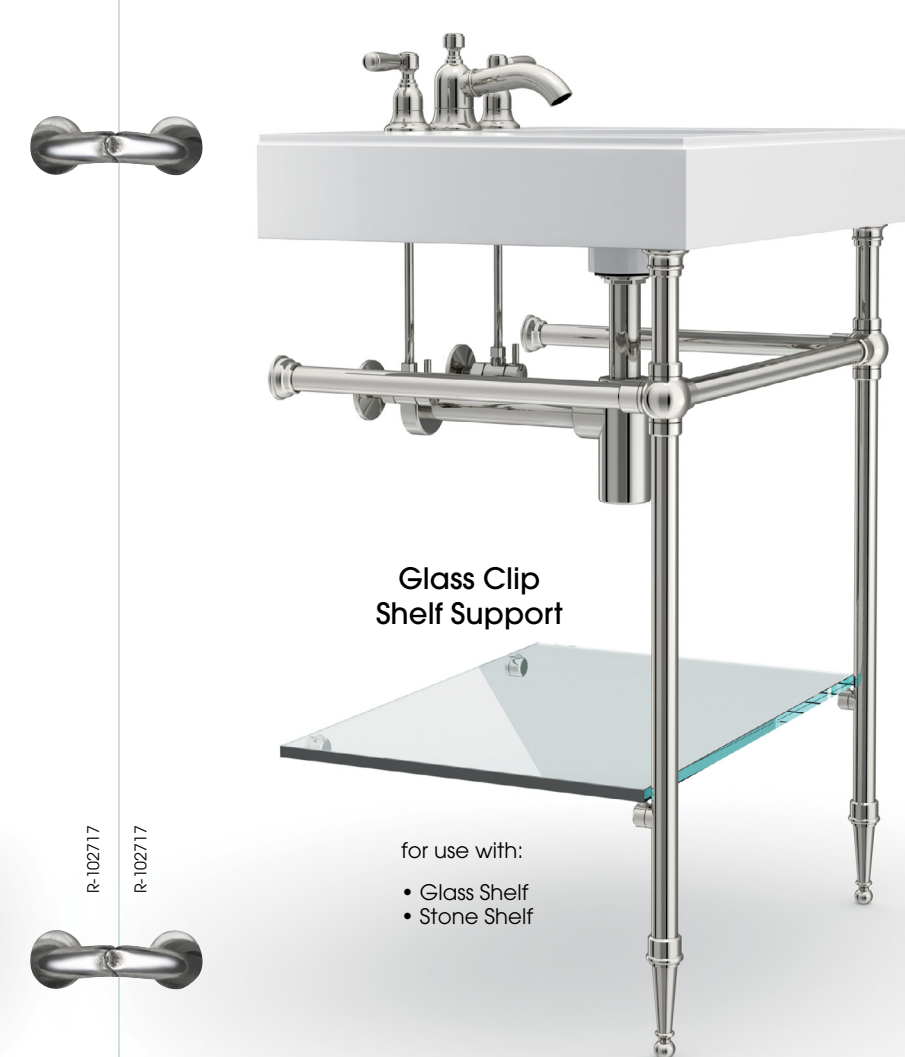


Tapered Foot with MTI Traditional counter

Low Profile Shelf Support

for use with:

- Hotel Shelf
- Glass Shelf
- Teak Shelf
- Stone Shelf



Glass Clip Shelf Support

for use with:

- Glass Shelf
- Stone Shelf



Split Collar Shelf Support

for use with:

- Stone Shelf

stone shelf provided by others

Palmer Industries has engineered four unique

shelf support systems to meet your shelving needs.

Styles

Classic Collection

	Images	Pricing
<b>T</b> Tapered Foot	11	42
<b>C</b> Decorative Collar	12	46
<b>BL</b> Ball Foot	13	50
<b>B</b> Bun Foot	14	54

Traditional Collection

<b>E</b> Essex	15	58
<b>W</b> Westport	16	60
<b>CAP</b> Capital	17	62
<b>K</b> Kingston	18	64
<b>V</b> Victorian	19	66
<b>REN</b> Renaissance	20	67
<b>P</b> Providence	21	68
<b>N</b> Newport	21a	69a

Modern Collection

<b>S</b> Studio	22	70
<b>M</b> Minimal	23	74
<b>MET</b> Metro	24	76
<b>MOD</b> Modern	25	80
<b>SQ</b> Square	26	82
<b>L</b> Linear	27	84
<b>J</b> Jamestown	28	85

Wall Mount Collection

<b>REG</b> Regency	29	86
<b>A</b> Apex	30	87

Finishes, Options & Accessories

Finishes & Materials	32	90
Shelving & Supports	34	92
Options & Accessories	36	94

Appendices

Order Forms	98
Packing & Shipping	100
Policies & Procedures	101
China Sinks	103
Anatomy of a Leg System	104
Tubing Diameter Reference	105



Solid Acrylic Rod

Solid Brass Wall Bracket finished to match legs

Palmer Custom Mirror

Front Riser

Curved Crossbar

Toilet Paper Holder

Hammered Ball Fitting

Auxiliary Towel Rail

Styles

Classic Collection

	Images	Pricing
<b>T</b> Tapered Foot	11	42
<b>C</b> Decorative Collar	12	46
<b>BL</b> Ball Foot	13	50
<b>B</b> Bun Foot	14	54

Traditional Collection

<b>E</b> Essex	15	58
<b>W</b> Westport	16	60
<b>CAP</b> Capital	17	62
<b>K</b> Kingston	18	64
<b>V</b> Victorian	19	66
<b>REN</b> Renaissance	20	67
<b>P</b> Providence	21	68
<b>N</b> Newport	21a	69a

Modern Collection

<b>S</b> Studio	22	70
<b>M</b> Minimal	23	74
<b>MET</b> Metro	24	76
<b>MOD</b> Modern	25	80
<b>SQ</b> Square	26	82
<b>L</b> Linear	27	84
<b>J</b> Jamestown	28	85

Wall Mount Collection

<b>REG</b> Regency	29	86
<b>A</b> Apex	30	87

Finishes, Options & Accessories

Finishes & Materials	32	90
Shelving & Supports	34	92
Options & Accessories	36	94

Appendices

Order Forms	98
Packing & Shipping	100
Policies & Procedures	101
China Sinks	103
Anatomy of a Leg System	104
Tubing Diameter Reference	105

1 1/2" Diameter

Split Diameter Tubing

1" Diameter

R-102717

R-102717



Palmer wall-mounted Towel Rack & free-standing Palmer Étagère Renaissance

## CUSTOM ARCHITECTURAL METALWORK



R-102717  
R-102717



# PRICING

by Style



Providence



## Table of Contents

click on a page # to navigate

### Styles

#### Classic Collection

	Images	Pricing
<b>T</b> Tapered Foot	11	42
<b>C</b> Decorative Collar	12	46
<b>BL</b> Ball Foot	13	50
<b>B</b> Bun Foot	14	54

#### Traditional Collection

<b>E</b> Essex	15	58
<b>W</b> Westport	16	60
<b>CAP</b> Capital	17	62
<b>K</b> Kingston	18	64
<b>V</b> Victorian	19	66
<b>REN</b> Renaissance	20	67
<b>P</b> Providence	21	68
<b>N</b> Newport	21a	69a

#### Modern Collection

<b>S</b> Studio	22	70
<b>M</b> Minimal	23	74
<b>MET</b> Metro	24	76
<b>MOD</b> Modern	25	80
<b>SQ</b> Square	26	82
<b>L</b> Linear	27	84
<b>J</b> Jamestown	28	85

#### Wall Mount Collection

<b>REG</b> Regency	29	86
<b>A</b> Apex	30	87

### Finishes, Options & Accessories

Finishes & Materials	32	90
Shelving & Supports	34	92
Options & Accessories	36	94

### Appendices

Order Forms	98
Packing & Shipping	100
Policies & Procedures	101
China Sinks	103
Anatomy of a Leg System	104
Tubing Diameter Reference	105



### Step-by-Step Instructions

Go to the specific style page from the index on the right.

Choose the Configuration that matches your counter size and the number of sinks

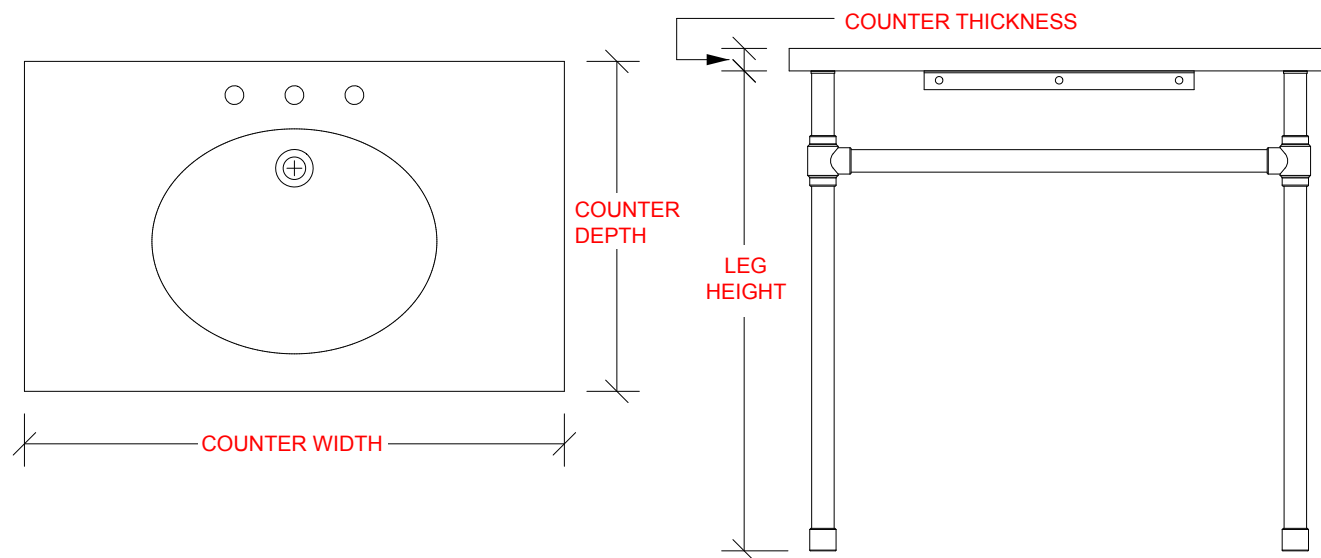
Select a Finish to determine the Base Price of the System

Add any custom size charges as required by the counter width

This will provide the total *Retail Price* for the specific System, Finish, and Size.

Turn to the "Options & Finishes" tab page to select shelving, shelving supports, options, and accessories

SIZE CHARGES are based on COUNTER WIDTH, COUNTER DEPTH, and LEG HEIGHT as defined below:



For any configuration or other custom design features not covered in this guide, please contact Palmer for a quote.



R-102717  
R-102717



#### Classic Collection

<b>T</b>	Tapered Foot	42
<b>C</b>	Decorative Collar	46
<b>BL</b>	Ball Foot	50
<b>B</b>	Bun Foot	54

#### Traditional Collection

<b>E</b>	Essex	58
<b>W</b>	Westport	60
<b>CAP</b>	Capital	62
<b>K</b>	Kingston	64
<b>V</b>	Victorian	66
<b>REN</b>	Renaissance	67
<b>P</b>	Providence	68

#### Modern Collection

<b>S</b>	Studio	70
<b>M</b>	Minimal	74
<b>MET</b>	Metro	76
<b>MOD</b>	Modern	80
<b>SQ</b>	Square	82
<b>L</b>	Linear	84
<b>J</b>	Jamestown	85

#### Wall Mount Collection

<b>REG</b>	Regency	86
<b>A</b>	Apex	87

full specifications for all standard models available online at Sinklegs.com

#### Styles

##### Classic Collection

	Images	Pricing
<b>T</b>	11	42
<b>C</b>	12	46
<b>BL</b>	13	50
<b>B</b>	14	54

##### Traditional Collection

<b>E</b>	15	58
<b>W</b>	16	60
<b>CAP</b>	17	62
<b>K</b>	18	64
<b>V</b>	19	66
<b>REN</b>	20	67
<b>P</b>	21	68
<b>N</b>	21a	69a

##### Modern Collection

<b>S</b>	22	70
<b>M</b>	23	74
<b>MET</b>	24	76
<b>MOD</b>	25	80
<b>SQ</b>	26	82
<b>L</b>	27	84
<b>J</b>	28	85

##### Wall Mount Collection

<b>REG</b>	29	86
<b>A</b>	30	87

#### Finishes, Options & Accessories

Finishes & Materials	32	90
Shelving & Supports	34	92
Options & Accessories	36	94

#### Appendices

Order Forms		98
Packing & Shipping		100
Policies & Procedures		101
China Sinks		103
Anatomy of a Leg System		104
Tubing Diameter Reference		105



# Tapered Foot

SEE PHOTO ON PG. 11



## LEG SYSTEM CONFIGURATIONS

### 1.5" DIAMETER TUBING

See page 44 for 1.0" diameter

#### STEP #1: SELECT LEG SYSTEM CONFIGURATION

choose the configuration that best suits your counter size and number of sinks

**1-LEG**  
ANY WIDTH COUNTER  
Wall Bracket not included with single legs - see pg. 96  
32"  
1 1/2"

**2-LEG**  
UP TO 60" W COUNTERS  
1 OR 2 SINKS  
Standard Counter Size: 36"W x 24"D  
32"  
32"  
22"  
1 1/2"  
Front View  
Side View  
Optional Decorative Rear Risers

**3-LEG**  
UP TO 90" W COUNTERS  
2 SINKS  
Standard Counter Size: 72"W x 24"D  
32"  
68"  
22"  
1 1/2"  
Front View  
Side View  
Optional Decorative Rear Risers  
Includes Center Wall Return

**4-LEG**  
UP TO 60" W COUNTERS  
1 OR 2 SINKS  
Standard Counter Size: 36"W x 24"D  
32"  
32"  
22"  
1 1/2"  
Front View  
Side View

**5-LEG**  
UP TO 90" W COUNTERS  
2 SINKS  
Standard Counter Size: 72"W x 24"D  
32"  
68"  
22"  
1 1/2"  
Front View  
Side View

Standard Wall Bracket(s) included with all leg systems

Custom Configurations are available - if you don't see what you want please call Palmer Customer Support

Jan 2018 Price List

Sinklegs.com

401-421-1730

M-F 9-5 EST

# Tapered Foot

SEE PHOTO ON PG. 11



## BASE PRICING & SIZE CHARGES

### 1.5" DIAMETER TUBING

See page 44 for 1.0" diameter

#### STEP #2: ESTABLISH BASE PRICE OF LEG SYSTEM

using the configuration from step #1, select the finish to determine base price

LEGS	DIA	MODEL	DESCRIPTION	PC - PN	SN	PBUL	ABUL - ORB
1-LEG	1.5"	T150	LEG SINGLE 1.5" TAPERED FOOT	\$491	\$580	\$541	\$639
2-LEG	1.5"	LS2T	LEG SYS 2-LEG 1.5" TAPERED FOOT w/ REAR RISERS	\$2,085	\$2,461	\$2,294	\$2,711
		LS2TNR	LEG SYS 2-LEG 1.5" TAPERED FOOT NO REAR RISERS	\$1,748	\$2,063	\$1,923	\$2,273
3-LEG	1.5"	LS3T	LEG SYS 3-LEG 1.5" TAPERED FOOT w/ REAR RISERS	\$3,303	\$3,898	\$3,634	\$4,294
		LS3TNR	LEG SYS 3-LEG 1.5" TAPERED FOOT NO REAR RISERS	\$2,798	\$3,302	\$3,078	\$3,638
4-LEG	1.5"	LS4T	LEG SYS 4-LEG 1.5" TAPERED FOOT	\$2,937	\$3,466	\$3,231	\$3,819
5-LEG	1.5"	LS5T	LEG SYS 5-LEG 1.5" TAPERED FOOT	\$4,187	\$4,941	\$4,606	\$5,444

PC = POLISHED CHROME  
PN = POLISHED NICKEL

SN = SATIN NICKEL  
PBUL = POLISHED BRASS UN-LACQUERED

ABUL = AGED BRASS UN-LACQUERED  
ORB = OIL RUBBED BRONZE

can be field cut to reduce size

PVD & OTHER FINISHES ARE AVAILABLE - please see page 90

#### STEP #3: ADD SIZE CHARGES TO BASE PRICE OF LEG SYSTEM

if your counter width is other than the "standard" size shown below, please add the appropriate size charges to the base price

COUNTER WIDTH	LEGS	COUNTER WIDTH	LEGS	COUNTER WIDTH
	2-LEG - OR - 4-LEG		LESS THAN 36"	3-LEG - OR - 5-LEG
36" (STANDARD SIZE)			72" (STANDARD SIZE)	
UP TO 42"			UP TO 78"	
UP TO 48" *			UP TO 84"	
UP TO 60" *			UP TO 90"	

COUNTER DEPTH NO CHARGE FOR COUNTER DEPTHS UP TO 24"

LEG HEIGHT NO CHARGE FOR LEG HEIGHTS UP TO 36"

For sizes larger than shown, and/or custom configurations, please contact Palmer for a quote

\* front riser(s) should be considered for counters 48" or wider (see pg. 94)

IF YOU ARE NOT ORDERING ANY OPTIONS YOU ARE DONE - calculate shipping costs on pg. 100 & complete order form on pg. 98

#### STEP #4: SELECT YOUR OPTIONS & ACCESSORIES

ONLY the options & accessories listed below may be used with this TAPERED FOOT style

TURN TO OPTIONS TAB (pg. 91)

Please select only from the Options & Accessories listed here for use with this TAPERED FOOT style

**Towel Shelf Options:**

- Tubular Metal Shelf (TS)
- Glass Shelf (GS)
- Teak Wood Shelf (WS)

**Shelf Support Options:**  
required for all shelves

- Rail Shelf Support (SS\_R)
- Low Profile Shelf Support (SS\_LP)
- Glass Clip Shelf Support (SS\_GC)
- Split Collar Shelf Support (SS\_SC)

**Additional Options & Accessories:**

- Front Riser (FR)
- Split Diameter (SD)
- ADA Compliant Configuration (ADA)
- Curved Crossbar (CURV)
- Solid Acrylic Rod (ACR)
- Reeded Tubing (RT)
- Hammered Ball Fittings (HB)
- Wall Brackets: non-standard (WB)
- Auxiliary Towel Rail (TR)
- TP Holder (TP)

Turn to the Options & Finishes Tab Page for pricing & details

## Table of Contents

click on a page # to navigate

### Styles

#### Classic Collection

Style	Images	Pricing
T Tapered Foot	11	42
C Decorative Collar	12	46
BL Ball Foot	13	50
B Bun Foot	14	54

#### Traditional Collection

E Essex	15	58
W Westport	16	60
CAP Capital	17	62
K Kingston	18	64
V Victorian	19	66
REN Renaissance	20	67
P Providence	21	68
N Newport	21a	69a

#### Modern Collection

S Studio	22	70
M Minimal	23	74
MET Metro	24	76
MOD Modern	25	80
SQ Square	26	82
L Linear	27	84
J Jamestown	28	85

#### Wall Mount Collection

REG Regency	29	86
A Apex	30	87

#### Finishes, Options & Accessories

Finishes & Materials	32	90
Shelving & Supports	34	92
Options & Accessories	36	94

#### Appendices

Order Forms	98
Packing & Shipping	100
Policies & Procedures	101
China Sinks	103
Anatomy of a Leg System	104
Tubing Diameter Reference	105





# Tapered Foot

SEE PHOTO ON PG. 11



## LEG SYSTEM CONFIGURATIONS

### 1.0" DIAMETER TUBING

See page 42 for 1.5" diameter

#### STEP #1: SELECT LEG SYSTEM CONFIGURATION

choose the configuration that best suits your counter size and number of sinks

**1-LEG**  
ANY WIDTH COUNTER  
Wall Bracket not included with single legs - see pg. 96

**2-LEG**  
UP TO 60" W COUNTERS  
1 OR 2 SINKS  
Standard Counter Size: 36"W x 24"D

**3-LEG**  
UP TO 90" W COUNTERS  
2 SINKS  
Standard Counter Size: 72"W x 24"D

**4-LEG**  
UP TO 60" W COUNTERS  
1 OR 2 SINKS  
Standard Counter Size: 36"W x 24"D

**5-LEG**  
UP TO 90" W COUNTERS  
2 SINKS  
Standard Counter Size: 72"W x 24"D

Standard Wall Bracket(s) included with all leg systems

Custom Configurations are available - if you don't see what you want please call Palmer Customer Support

Jan 2018 Price List

Sinklegs.com

401-421-1730

M-F 9-5 EST

45

# Tapered Foot

SEE PHOTO ON PG. 11



## BASE PRICING & SIZE CHARGES

### 1.0" DIAMETER TUBING

See page 42 for 1.5" diameter

#### STEP #2: ESTABLISH BASE PRICE OF LEG SYSTEM

using the configuration from step #1, select the finish to determine base price

LEGS	DIA	MODEL	DESCRIPTION	PC - PN	SN	PBUL	ABUL - ORB
1-LEG	1.0"	T100	LEG SINGLE 1.0" TAPERED FOOT	\$365	\$431	\$402	\$475
2-LEG	1.0"	LS21T	LEG SYS 2-LEG 1.0" TAPERED FOOT w/ REAR RISERS	\$1,456	\$1,719	\$1,602	\$1,893
		LS21TNR	LEG SYS 2-LEG 1.0" TAPERED FOOT NO REAR RISERS	\$1,242	\$1,466	\$1,367	\$1,615
3-LEG	1.0"	LS31T	LEG SYS 3-LEG 1.0" TAPERED FOOT w/ REAR RISERS	\$2,323	\$2,742	\$2,556	\$3,020
		LS31TNR	LEG SYS 3-LEG 1.0" TAPERED FOOT NO REAR RISERS	\$2,001	\$2,362	\$2,202	\$2,602
4-LEG	1.0"	LS41T	LEG SYS 4-LEG 1.0" TAPERED FOOT	\$1,997	\$2,357	\$2,197	\$2,597
5-LEG	1.0"	LS51T	LEG SYS 5-LEG 1.0" TAPERED FOOT	\$2,877	\$3,395	\$3,165	\$3,741

PC = POLISHED CHROME  
PN = POLISHED NICKEL

SN = SATIN NICKEL  
PBUL = POLISHED BRASS UN-LACQUERED

ABUL = AGED BRASS UN-LACQUERED  
ORB = OIL RUBBED BRONZE

can be field cut to reduce size

PVD & OTHER FINISHES ARE AVAILABLE - please see page 90

#### STEP #3: ADD SIZE CHARGES TO BASE PRICE OF LEG SYSTEM

if your counter width is other than the "standard" size shown below, please add the appropriate size charges to the base price

COUNTER WIDTH	LEGS	COUNTER WIDTH	LEGS	COUNTER WIDTH
	2-LEG - OR - 4-LEG		LESS THAN 36"	3-LEG - OR - 5-LEG
36" (STANDARD SIZE)			72" (STANDARD SIZE)	
UP TO 42"			UP TO 78"	
UP TO 48"			UP TO 84"	
UP TO 60"			UP TO 90"	

COUNTER DEPTH NO CHARGE FOR COUNTER DEPTHS UP TO 24"

LEG HEIGHT NO CHARGE FOR LEG HEIGHTS UP TO 36"

For sizes larger than shown, and/or custom configurations, please contact Palmer for a quote

IF YOU ARE NOT ORDERING ANY OPTIONS YOU ARE DONE - calculate shipping costs on pg. 100 & complete order form on pg. 98

#### STEP #4: SELECT YOUR OPTIONS & ACCESSORIES

ONLY the options & accessories listed below may be used with this TAPERED FOOT style

TURN TO OPTIONS TAB (pg. 91)

Please select only from the Options & Accessories listed here for use with this TAPERED FOOT style



Turn to the Options & Finishes Tab Page for pricing & details

##### Towel Shelf Options:

Tubular Metal Shelf (TS)  
Glass Shelf (GS)  
Teak Wood Shelf (WS)

##### Shelf Support Options: required for all shelves

Rail Shelf Support (SS\_R)  
Low Profile Shelf Support (SS\_LP)  
Glass Clip Shelf Support (SS\_GC)  
Split Collar Shelf Support (SS\_SC)

##### Additional Options & Accessories:

ADA Compliant Configuration (ADA)  
Curved Crossbar (CURV)  
Reeded Tubing (RT)  
Hammered Ball Fittings (HB)  
Wall Brackets: non-standard (WB)  
Auxiliary Towel Rail (TR)  
TP Holder (TP)

## Table of Contents

click on a page # to navigate

### Styles

#### Classic Collection

Style	Images	Pricing
T Tapered Foot	11	42
C Decorative Collar	12	46
BL Ball Foot	13	50
B Bun Foot	14	54

#### Traditional Collection

E Essex	15	58
W Westport	16	60
CAP Capital	17	62
K Kingston	18	64
V Victorian	19	66
REN Renaissance	20	67
P Providence	21	68
N Newport	21a	69a

#### Modern Collection

S Studio	22	70
M Minimal	23	74
MET Metro	24	76
MOD Modern	25	80
SQ Square	26	82
L Linear	27	84
J Jamestown	28	85

#### Wall Mount Collection

REG Regency	29	86
A Apex	30	87

#### Finishes, Options & Accessories

Finishes & Materials	32	90
Shelving & Supports	34	92
Options & Accessories	36	94

#### Appendices

Order Forms	98
Packing & Shipping	100
Policies & Procedures	101
China Sinks	103
Anatomy of a Leg System	104
Tubing Diameter Reference	105



SEE PHOTO ON PG. 12



### 1.5" DIAMETER TUBING

See page 48 for 1.0" diameter

#### STEP #1: SELECT LEG SYSTEM CONFIGURATION

choose the configuration that best suits your counter size and number of sinks

**1-LEG**  
ANY WIDTH COUNTER  
Wall Bracket not included with single legs - see pg. 96  
1 1/2" x 32"

**2-LEG**  
UP TO 60" W COUNTERS  
1 OR 2 SINKS  
Standard Counter Size: 36"W x 24"D  
32" x 22" x 1 1/2"

**3-LEG**  
UP TO 90" W COUNTERS  
2 SINKS  
Standard Counter Size: 72"W x 24"D  
32" x 68" x 22" x 1 1/2"

**4-LEG**  
UP TO 60" W COUNTERS  
1 OR 2 SINKS  
Standard Counter Size: 36"W x 24"D  
32" x 22" x 1 1/2"

**5-LEG**  
UP TO 90" W COUNTERS  
2 SINKS  
Standard Counter Size: 72"W x 24"D  
32" x 68" x 22" x 1 1/2"

Standard Wall Bracket(s) included with all leg systems

Custom Configurations are available - if you don't see what you want please call Palmer Customer Support

Jan 2018 Price List

Sinklegs.com

401-421-1730

M-F 9-5 EST

SEE PHOTO ON PG. 12



### 1.5" DIAMETER TUBING

See page 48 for 1.0" diameter

#### STEP #2: ESTABLISH BASE PRICE OF LEG SYSTEM

using the configuration from step #1, select the finish to determine base price

LEGS	DIA	MODEL	DESCRIPTION	PC - PN	SN	PBUL	ABUL - ORB
1-LEG	1.5"	C150	LEG SINGLE 1.5" DEC COLLAR	\$425	\$502	\$468	\$553
2-LEG	1.5"	LS2C	LEG SYS 2-LEG 1.5" DEC COLLAR w/ REAR RISERS	\$1,963	\$2,317	\$2,160	\$2,552
		LS2CNR	LEG SYS 2-LEG 1.5" DEC COLLAR NO REAR RISERS	\$1,672	\$1,973	\$1,840	\$2,174
3-LEG	1.5"	LS3C	LEG SYS 3-LEG 1.5" DEC COLLAR w/ REAR RISERS	\$3,120	\$3,682	\$3,432	\$4,056
		LS3CNR	LEG SYS 3-LEG 1.5" DEC COLLAR NO REAR RISERS	\$2,685	\$3,169	\$2,954	\$3,491
4-LEG	1.5"	LS4C	LEG SYS 4-LEG 1.5" DEC COLLAR	\$2,687	\$3,171	\$2,956	\$3,494
5-LEG	1.5"	LS5C	LEG SYS 5-LEG 1.5" DEC COLLAR	\$3,876	\$4,574	\$4,264	\$5,039

PC = POLISHED CHROME  
PN = POLISHED NICKEL

SN = SATIN NICKEL  
PBUL = POLISHED BRASS UN-LACQUERED

ABUL = AGED BRASS UN-LACQUERED  
ORB = OIL RUBBED BRONZE

can be field cut to reduce size

PVD & OTHER FINISHES ARE AVAILABLE - please see page 90

#### STEP #3: ADD SIZE CHARGES TO BASE PRICE OF LEG SYSTEM

if your counter width is other than the "standard" size shown below, please add the appropriate size charges to the base price

COUNTER WIDTH	LEGS	COUNTER WIDTH	LEGS	COUNTER WIDTH
	2-LEG - OR - 4-LEG		LESS THAN 36"	3-LEG - OR - 5-LEG
36" (STANDARD SIZE)			72" (STANDARD SIZE)	
UP TO 42"			UP TO 78"	
UP TO 48" *			UP TO 84"	
UP TO 60" *			UP TO 90"	

COUNTER DEPTH NO CHARGE FOR COUNTER DEPTHS UP TO 24"

LEG HEIGHT NO CHARGE FOR LEG HEIGHTS UP TO 36"

For sizes larger than shown, and/or custom configurations, please contact Palmer for a quote

\* front riser(s) should be considered for counters 48" or wider (see pg. 94)

IF YOU ARE NOT ORDERING ANY OPTIONS YOU ARE DONE - calculate shipping costs on pg. 100 & complete order form on pg. 98

#### STEP #4: SELECT YOUR OPTIONS & ACCESSORIES

ONLY the options & accessories listed below may be used with this DECORATIVE COLLAR style

TURN TO OPTIONS TAB (pg. 91)

Please select only from the Options & Accessories listed here for use with this DECORATIVE COLLAR style



Turn to the Options & Finishes Tab Page for pricing & details

##### Towel Shelf Options:

- Tubular Metal Shelf (TS)
- Glass Shelf (GS)
- Teak Wood Shelf (WS)

##### Shelf Support Options: required for all shelves

- Rail Shelf Support (SS\_R)
- Low Profile Shelf Support (SS\_LP)
- Glass Clip Shelf Support (SS\_GC)
- Split Collar Shelf Support (SS\_SC)

##### Additional Options & Accessories:

- Front Riser (FR)
- Split Diameter (SD)
- ADA Compliant Configuration (ADA)
- Curved Crossbar (CURV)
- Solid Acrylic Rod (ACR)
- Reeded Tubing (RT)
- Hammered Ball Fittings (HB)
- Wall Brackets: non-standard (WB)
- Auxiliary Towel Rail (TR)
- TP Holder (TP)

## Table of Contents

click on a page # to navigate

### Styles

#### Classic Collection

Style	Images	Pricing
T Tapered Foot	11	42
C Decorative Collar	12	46
BL Ball Foot	13	50
B Bun Foot	14	54

#### Traditional Collection

E Essex	15	58
W Westport	16	60
CAP Capital	17	62
K Kingston	18	64
V Victorian	19	66
REN Renaissance	20	67
P Providence	21	68
N Newport	21a	69a

#### Modern Collection

S Studio	22	70
M Minimal	23	74
MET Metro	24	76
MOD Modern	25	80
SQ Square	26	82
L Linear	27	84
J Jamestown	28	85

#### Wall Mount Collection

REG Regency	29	86
A Apex	30	87

#### Finishes, Options & Accessories

Finishes & Materials	32	90
Shelving & Supports	34	92
Options & Accessories	36	94

#### Appendices

Order Forms	98
Packing & Shipping	100
Policies & Procedures	101
China Sinks	103
Anatomy of a Leg System	104
Tubing Diameter Reference	105





# Decorative Collar

SEE PHOTO ON PG. 12



## LEG SYSTEM CONFIGURATIONS

### 1.0" DIAMETER TUBING

See page 46 for 1.5" diameter

#### STEP #1: SELECT LEG SYSTEM CONFIGURATION

choose the configuration that best suits your counter size and number of sinks

**1-LEG**  
ANY WIDTH COUNTER  
Wall Bracket not included with single legs - see pg. 96  
32" height, 1" diameter

**2-LEG**  
UP TO 60" W COUNTERS  
1 OR 2 SINKS  
Standard Counter Size: 36"W x 24"D  
32" width, 22" depth, 1" diameter

**3-LEG**  
UP TO 90" W COUNTERS  
2 SINKS  
Standard Counter Size: 72"W x 24"D  
32" height, 68" width, 22" depth, 1" diameter

**4-LEG**  
UP TO 60" W COUNTERS  
1 OR 2 SINKS  
Standard Counter Size: 36"W x 24"D  
32" height, 22" depth, 1" diameter

**5-LEG**  
UP TO 90" W COUNTERS  
2 SINKS  
Standard Counter Size: 72"W x 24"D  
32" height, 68" width, 22" depth, 1" diameter

Standard Wall Bracket(s) included with all leg systems

Custom Configurations are available - if you don't see what you want please call Palmer Customer Support

Jan 2018 Price List

Sinklegs.com

401-421-1730

M-F 9-5 EST

# Decorative Collar

SEE PHOTO ON PG. 12



## BASE PRICING & SIZE CHARGES

### 1.0" DIAMETER TUBING

See page 46 for 1.5" diameter

#### STEP #2: ESTABLISH BASE PRICE OF LEG SYSTEM

using the configuration from step #1, select the finish to determine base price

LEGS	DIA	MODEL	DESCRIPTION	PC - PN	SN	PBUL	ABUL - ORB
1-LEG	1.0"	C100	LEG SINGLE 1.0" DEC COLLAR	\$326	\$385	\$359	\$424
2-LEG	1.0"	LS21C	LEG SYS 2-LEG 1.0" DEC COLLAR w/ REAR RISERS	\$1,419	\$1,675	\$1,561	\$1,845
		LS21CNR	LEG SYS 2-LEG 1.0" DEC COLLAR NO REAR RISERS	\$1,242	\$1,466	\$1,367	\$1,615
3-LEG	1.0"	LS31C	LEG SYS 3-LEG 1.0" DEC COLLAR w/ REAR RISERS	\$2,268	\$2,677	\$2,495	\$2,949
		LS31CNR	LEG SYS 3-LEG 1.0" DEC COLLAR NO REAR RISERS	\$2,001	\$2,362	\$2,202	\$2,602
4-LEG	1.0"	LS41C	LEG SYS 4-LEG 1.0" DEC COLLAR	\$1,928	\$2,276	\$2,121	\$2,507
5-LEG	1.0"	LS51C	LEG SYS 5-LEG 1.0" DEC COLLAR	\$2,789	\$3,292	\$3,068	\$3,626

PC = POLISHED CHROME  
PN = POLISHED NICKEL

SN = SATIN NICKEL  
PBUL = POLISHED BRASS UN-LACQUERED

ABUL = AGED BRASS UN-LACQUERED  
ORB = OIL RUBBED BRONZE

can be field cut to reduce size

PVD & OTHER FINISHES ARE AVAILABLE - please see page 90

#### STEP #3: ADD SIZE CHARGES TO BASE PRICE OF LEG SYSTEM

if your counter width is other than the "standard" size shown below, please add the appropriate size charges to the base price

COUNTER WIDTH	LEGS	COUNTER WIDTH		LEGS	COUNTER WIDTH		
	2-LEG - OR - 4-LEG		LESS THAN 36"	+\$95	3-LEG - OR - 5-LEG		LESS THAN 72"
36" (STANDARD SIZE)			+\$0	72" (STANDARD SIZE)			+\$0
UP TO 42"			+\$110	UP TO 78"			+\$110
UP TO 48"			+\$160	UP TO 84"			+\$160
UP TO 60"			+\$250	UP TO 90"			+\$250

COUNTER DEPTH NO CHARGE FOR COUNTER DEPTHS UP TO 24"

LEG HEIGHT NO CHARGE FOR LEG HEIGHTS UP TO 36"

For sizes larger than shown, and/or custom configurations, please contact Palmer for a quote

IF YOU ARE NOT ORDERING ANY OPTIONS YOU ARE DONE - calculate shipping costs on pg. 100 & complete order form on pg. 98

#### STEP #4: SELECT YOUR OPTIONS & ACCESSORIES

ONLY the options & accessories listed below may be used with this DECORATIVE COLLAR style

TURN TO OPTIONS TAB (pg. 91)

Please select only from the Options & Accessories listed here for use with this DECORATIVE COLLAR style



Turn to the Options & Finishes Tab Page for pricing & details

##### Towel Shelf Options:

- Tubular Metal Shelf (TS)
- Glass Shelf (GS)
- Teak Wood Shelf (WS)

##### Shelf Support Options: required for all shelves

- Rail Shelf Support (SS\_R)
- Low Profile Shelf Support (SS\_LP)
- Glass Clip Shelf Support (SS\_GC)
- Split Collar Shelf Support (SS\_SC)

##### Additional Options & Accessories:

- ADA Compliant Configuration (ADA)
- Curved Crossbar (CURV)
- Reeded Tubing (RT)
- Hammered Ball Fittings (HB)
- Wall Brackets: non-standard (WB)
- Auxiliary Towel Rail (TR)
- TP Holder (TP)

## Table of Contents

click on a page # to navigate

### Styles

#### Classic Collection

Style	Images	Pricing
T Tapered Foot	11	42
C Decorative Collar	12	46
BL Ball Foot	13	50
B Bun Foot	14	54

#### Traditional Collection

E Essex	15	58
W Westport	16	60
CAP Capital	17	62
K Kingston	18	64
V Victorian	19	66
REN Renaissance	20	67
P Providence	21	68
N Newport	21a	69a

#### Modern Collection

S Studio	22	70
M Minimal	23	74
MET Metro	24	76
MOD Modern	25	80
SQ Square	26	82
L Linear	27	84
J Jamestown	28	85

#### Wall Mount Collection

REG Regency	29	86
A Apex	30	87

#### Finishes, Options & Accessories

Finishes & Materials	32	90
Shelving & Supports	34	92
Options & Accessories	36	94

#### Appendices

Order Forms	98
Packing & Shipping	100
Policies & Procedures	101
China Sinks	103
Anatomy of a Leg System	104
Tubing Diameter Reference	105



#### STEP #1: SELECT LEG SYSTEM CONFIGURATION

choose the configuration that best suits your counter size and number of sinks

**1-LEG**  
ANY WIDTH COUNTER  
Wall Bracket not included with single legs - see pg. 96  
1 1/2" x 32"

**2-LEG**  
UP TO 60" W COUNTERS  
1 OR 2 SINKS  
Standard Counter Size: 36"W x 24"D  
32" x 22" x 1 1/2"

**3-LEG**  
UP TO 90" W COUNTERS  
2 SINKS  
Standard Counter Size: 72"W x 24"D  
32" x 68" x 22" x 1 1/2"

**4-LEG**  
UP TO 60" W COUNTERS  
1 OR 2 SINKS  
Standard Counter Size: 36"W x 24"D  
32" x 22" x 1 1/2"

**5-LEG**  
UP TO 90" W COUNTERS  
2 SINKS  
Standard Counter Size: 72"W x 24"D  
32" x 68" x 22" x 1 1/2"

Standard Wall Bracket(s) included with all leg systems

Custom Configurations are available - if you don't see what you want please call Palmer Customer Support



#### STEP #2: ESTABLISH BASE PRICE OF LEG SYSTEM

using the configuration from step #1, select the finish to determine base price

LEGS	DIA	MODEL	DESCRIPTION	PC - PN	SN	PBUL	ABUL - ORB
1-LEG	1.5"	BL150	LEG SINGLE 1.5" BALL FOOT	\$491	\$580	\$541	\$639
2-LEG	1.5"	LS2BL	LEG SYS 2-LEG 1.5" BALL FOOT w/ REAR RISERS	\$2,085	\$2,461	\$2,294	\$2,711
		LS2BLNR	LEG SYS 2-LEG 1.5" BALL FOOT NO REAR RISERS	\$1,748	\$2,063	\$1,923	\$2,273
3-LEG	1.5"	LS3BL	LEG SYS 3-LEG 1.5" BALL FOOT w/ REAR RISERS	\$3,303	\$3,898	\$3,634	\$4,294
		LS3BLNR	LEG SYS 3-LEG 1.5" BALL FOOT NO REAR RISERS	\$2,798	\$3,302	\$3,078	\$3,638
4-LEG	1.5"	LS4BL	LEG SYS 4-LEG 1.5" BALL FOOT	\$2,937	\$3,466	\$3,231	\$3,819
5-LEG	1.5"	LS5BL	LEG SYS 5-LEG 1.5" BALL FOOT	\$4,187	\$4,941	\$4,606	\$5,444

PC = POLISHED CHROME  
PN = POLISHED NICKEL

SN = SATIN NICKEL  
PBUL = POLISHED BRASS UN-LACQUERED

ABUL = AGED BRASS UN-LACQUERED  
ORB = OIL RUBBED BRONZE

can be field cut to reduce size

PVD & OTHER FINISHES ARE AVAILABLE - please see page 90

#### STEP #3: ADD SIZE CHARGES TO BASE PRICE OF LEG SYSTEM

if your counter width is other than the "standard" size shown below, please add the appropriate size charges to the base price

COUNTER WIDTH	LEGS	COUNTER WIDTH	LEGS	COUNTER WIDTH
	2-LEG - OR - 4-LEG	3-LEG	LESS THAN 36"	3-LEG
36" (STANDARD SIZE)				72" (STANDARD SIZE)
UP TO 42"		5-LEG	UP TO 78"	
UP TO 48" *			UP TO 84"	
UP TO 60" *			UP TO 90"	

COUNTER DEPTH NO CHARGE FOR COUNTER DEPTHS UP TO 24"

LEG HEIGHT NO CHARGE FOR LEG HEIGHTS UP TO 36"

For sizes larger than shown, and/or custom configurations, please contact Palmer for a quote

\* front riser(s) should be considered for counters 48" or wider (see pg. 94)

IF YOU ARE NOT ORDERING ANY OPTIONS YOU ARE DONE - calculate shipping costs on pg. 100 & complete order form on pg. 98

#### STEP #4: SELECT YOUR OPTIONS & ACCESSORIES

ONLY the options & accessories listed below may be used with this BALL FOOT style

TURN TO OPTIONS TAB (pg. 91)

Please select only from the Options & Accessories listed here for use with this BALL FOOT style



Turn to the Options & Finishes Tab Page for pricing & details

##### Towel Shelf Options:

- Tubular Metal Shelf (TS)
- Glass Shelf (GS)
- Teak Wood Shelf (WS)

##### Shelf Support Options: required for all shelves

- Rail Shelf Support (SS\_R)
- Low Profile Shelf Support (SS\_LP)
- Glass Clip Shelf Support (SS\_GC)
- Split Collar Shelf Support (SS\_SC)

##### Additional Options & Accessories:

- Front Riser (FR)
- Split Diameter (SD)
- ADA Compliant Configuration (ADA)
- Curved Crossbar (CURV)
- Solid Acrylic Rod (ACR)
- Reeded Tubing (RT)
- Hammered Ball Fittings (HB)
- Wall Brackets: non-standard (WB)
- Auxiliary Towel Rail (TR)
- TP Holder (TP)

### Styles

#### Classic Collection

Style	Images	Pricing
T Tapered Foot	11	42
C Decorative Collar	12	46
BL Ball Foot	13	50
B Bun Foot	14	54

#### Traditional Collection

E Essex	15	58
W Westport	16	60
CAP Capital	17	62
K Kingston	18	64
V Victorian	19	66
REN Renaissance	20	67
P Providence	21	68
N Newport	21a	69a

#### Modern Collection

S Studio	22	70
M Minimal	23	74
MET Metro	24	76
MOD Modern	25	80
SQ Square	26	82
L Linear	27	84
J Jamestown	28	85

#### Wall Mount Collection

REG Regency	29	86
A Apex	30	87

#### Finishes, Options & Accessories

Finishes & Materials	32	90
Shelving & Supports	34	92
Options & Accessories	36	94

#### Appendices

Order Forms	98
Packing & Shipping	100
Policies & Procedures	101
China Sinks	103
Anatomy of a Leg System	104
Tubing Diameter Reference	105



### STEP #1: SELECT LEG SYSTEM CONFIGURATION

choose the configuration that best suits your counter size and number of sinks

**1-LEG**  
ANY WIDTH COUNTER  
Wall Bracket not included with single legs - see pg. 96

**2-LEG**  
UP TO 60" W COUNTERS  
1 OR 2 SINKS  
Standard Counter Size: 36"W x 24"D

**3-LEG**  
UP TO 90" W COUNTERS  
2 SINKS  
Standard Counter Size: 72"W x 24"D

**4-LEG**  
UP TO 60" W COUNTERS  
1 OR 2 SINKS  
Standard Counter Size: 36"W x 24"D

**5-LEG**  
UP TO 90" W COUNTERS  
2 SINKS  
Standard Counter Size: 72"W x 24"D

Standard Wall Bracket(s) included with all leg systems

Custom Configurations are available - if you don't see what you want please call Palmer Customer Support



### STEP #2: ESTABLISH BASE PRICE OF LEG SYSTEM

using the configuration from step #1, select the finish to determine base price

LEGS	DIA	MODEL	DESCRIPTION	PC - PN	SN	PBUL	ABUL - ORB
1-LEG	1.0"	BL100	LEG SINGLE 1.0" BALL FOOT	\$365	\$431	\$402	\$475
2-LEG	1.0"	LS21BL	LEG SYS 2-LEG 1.0" BALL FOOT w/ REAR RISERS	\$1,456	\$1,719	\$1,602	\$1,893
		LS21BLNR	LEG SYS 2-LEG 1.0" BALL FOOT NO REAR RISERS	\$1,242	\$1,466	\$1,367	\$1,615
3-LEG	1.0"	LS31BL	LEG SYS 3-LEG 1.0" BALL FOOT w/ REAR RISERS	\$2,323	\$2,742	\$2,556	\$3,020
		LS31BLNR	LEG SYS 3-LEG 1.0" BALL FOOT NO REAR RISERS	\$2,001	\$2,362	\$2,202	\$2,602
4-LEG	1.0"	LS41BL	LEG SYS 4-LEG 1.0" BALL FOOT	\$1,997	\$2,357	\$2,197	\$2,597
5-LEG	1.0"	LS51BL	LEG SYS 5-LEG 1.0" BALL FOOT	\$2,877	\$3,395	\$3,165	\$3,741

PC = POLISHED CHROME  
PN = POLISHED NICKEL

SN = SATIN NICKEL  
PBUL = POLISHED BRASS UN-LACQUERED

ABUL = AGED BRASS UN-LACQUERED  
ORB = OIL RUBBED BRONZE

can be field cut to reduce size

PVD & OTHER FINISHES ARE AVAILABLE - please see page 90

### STEP #3: ADD SIZE CHARGES TO BASE PRICE OF LEG SYSTEM

if your counter width is other than the "standard" size shown below, please add the appropriate size charges to the base price

COUNTER WIDTH	LEGS	COUNTER WIDTH		LEGS	COUNTER WIDTH		
	2-LEG - OR - 4-LEG		LESS THAN 36"	+\$95	3-LEG - OR - 5-LEG		LESS THAN 72"
36" (STANDARD SIZE)			+\$0	72" (STANDARD SIZE)			+\$0
UP TO 42"			+\$110	UP TO 78"			+\$110
UP TO 48"			+\$160	UP TO 84"			+\$160
UP TO 60"			+\$250	UP TO 90"			+\$250

COUNTER DEPTH NO CHARGE FOR COUNTER DEPTHS UP TO 24"

LEG HEIGHT NO CHARGE FOR LEG HEIGHTS UP TO 36"

For sizes larger than shown, and/or custom configurations, please contact Palmer for a quote

IF YOU ARE NOT ORDERING ANY OPTIONS YOU ARE DONE - calculate shipping costs on pg. 100 & complete order form on pg. 98

### STEP #4: SELECT YOUR OPTIONS & ACCESSORIES

ONLY the options & accessories listed below may be used with this BALL FOOT style

TURN TO OPTIONS TAB (pg. 91)

Please select only from the Options & Accessories listed here for use with this BALL FOOT style



Turn to the Options & Finishes Tab Page for pricing & details

#### Towel Shelf Options:

- Tubular Metal Shelf (TS)
- Glass Shelf (GS)
- Teak Wood Shelf (WS)

#### Shelf Support Options: required for all shelves

- Rail Shelf Support (SS\_R)
- Low Profile Shelf Support (SS\_LP)
- Glass Clip Shelf Support (SS\_GC)
- Split Collar Shelf Support (SS\_SC)

#### Additional Options & Accessories:

- ADA Compliant Configuration (ADA)
- Curved Crossbar (CURV)
- Reeded Tubing (RT)
- Hammered Ball Fittings (HB)
- Wall Brackets: non-standard (WB)
- Auxiliary Towel Rail (TR)
- TP Holder (TP)

### Styles

#### Classic Collection

Style	Images	Pricing
T Tapered Foot	11	42
C Decorative Collar	12	46
BL Ball Foot	13	50
B Bun Foot	14	54

#### Traditional Collection

E Essex	15	58
W Westport	16	60
CAP Capital	17	62
K Kingston	18	64
V Victorian	19	66
REN Renaissance	20	67
P Providence	21	68
N Newport	21a	69a

#### Modern Collection

S Studio	22	70
M Minimal	23	74
MET Metro	24	76
MOD Modern	25	80
SQ Square	26	82
L Linear	27	84
J Jamestown	28	85

#### Wall Mount Collection

REG Regency	29	86
A Apex	30	87

#### Finishes, Options & Accessories

Finishes & Materials	32	90
Shelving & Supports	34	92
Options & Accessories	36	94

#### Appendices

Order Forms	98
Packing & Shipping	100
Policies & Procedures	101
China Sinks	103
Anatomy of a Leg System	104
Tubing Diameter Reference	105



## STEP #1: SELECT LEG SYSTEM CONFIGURATION

choose the configuration that best suits your counter size and number of sinks

**1-LEG**  
ANY WIDTH COUNTER  
Wall Bracket not included with single legs - see pg. 96  
1 1/2" x 32"

**2-LEG**  
UP TO 60" W COUNTERS  
1 OR 2 SINKS  
Standard Counter Size: 36"W x 24"D  
32" x 22" x 1 1/2"

**3-LEG**  
UP TO 90" W COUNTERS  
2 SINKS  
Standard Counter Size: 72"W x 24"D  
32" x 68" x 22" x 1 1/2"

**4-LEG**  
UP TO 60" W COUNTERS  
1 OR 2 SINKS  
Standard Counter Size: 36"W x 24"D  
32" x 22" x 1 1/2"

**5-LEG**  
UP TO 90" W COUNTERS  
2 SINKS  
Standard Counter Size: 72"W x 24"D  
32" x 68" x 22" x 1 1/2"

Standard Wall Bracket(s) included with all leg systems

Custom Configurations are available - if you don't see what you want please call Palmer Customer Support

## STEP #2: ESTABLISH BASE PRICE OF LEG SYSTEM

using the configuration from step #1, select the finish to determine base price

LEGS	DIA	MODEL	DESCRIPTION	PC - PN	SN	PBUL	ABUL - ORB
1-LEG	1.5"	B150	LEG SINGLE 1.5" BUN FOOT	\$491	\$580	\$541	\$639
2-LEG	1.5"	LS2B	LEG SYS 2-LEG 1.5" BUN FOOT w/ REAR RISERS	\$2,085	\$2,461	\$2,294	\$2,711
		LS2BNR	LEG SYS 2-LEG 1.5" BUN FOOT NO REAR RISERS	\$1,748	\$2,063	\$1,923	\$2,273
3-LEG	1.5"	LS3B	LEG SYS 3-LEG 1.5" BUN FOOT w/ REAR RISERS	\$3,303	\$3,898	\$3,634	\$4,294
		LS3BNR	LEG SYS 3-LEG 1.5" BUN FOOT NO REAR RISERS	\$2,798	\$3,302	\$3,078	\$3,638
4-LEG	1.5"	LS4B	LEG SYS 4-LEG 1.5" BUN FOOT	\$2,937	\$3,466	\$3,231	\$3,819
5-LEG	1.5"	LS5B	LEG SYS 5-LEG 1.5" BUN FOOT	\$4,187	\$4,941	\$4,606	\$5,444

PC = POLISHED CHROME  
PN = POLISHED NICKEL

SN = SATIN NICKEL  
PBUL = POLISHED BRASS UN-LACQUERED

ABUL = AGED BRASS UN-LACQUERED  
ORB = OIL RUBBED BRONZE

can be field cut to reduce size

PVD & OTHER FINISHES ARE AVAILABLE - please see page 90

## STEP #3: ADD SIZE CHARGES TO BASE PRICE OF LEG SYSTEM

if your counter width is other than the "standard" size shown below, please add the appropriate size charges to the base price

COUNTER WIDTH	LEGS	COUNTER WIDTH	LEGS	COUNTER WIDTH
	2-LEG - OR - 4-LEG		LESS THAN 36"	3-LEG - OR - 5-LEG
36" (STANDARD SIZE)			72" (STANDARD SIZE)	
UP TO 42"			UP TO 78"	
UP TO 48" *			UP TO 84"	
UP TO 60" *			UP TO 90"	

COUNTER DEPTH NO CHARGE FOR COUNTER DEPTHS UP TO 24"

LEG HEIGHT NO CHARGE FOR LEG HEIGHTS UP TO 36"

For sizes larger than shown, and/or custom configurations, please contact Palmer for a quote

\* front riser(s) should be considered for counters 48" or wider (see pg. 94)

IF YOU ARE NOT ORDERING ANY OPTIONS YOU ARE DONE - calculate shipping costs on pg. 100 & complete order form on pg. 98

## STEP #4: SELECT YOUR OPTIONS & ACCESSORIES

ONLY the options & accessories listed below may be used with this BUN FOOT style

TURN TO OPTIONS TAB (pg. 91)

Please select only from the Options & Accessories listed here for use with this BUN FOOT style



Turn to the Options & Finishes Tab Page for pricing & details

### Towel Shelf Options:

- Tubular Metal Shelf (TS)
- Glass Shelf (GS)
- Teak Wood Shelf (WS)

### Shelf Support Options: required for all shelves

- Rail Shelf Support (SS\_R)
- Low Profile Shelf Support (SS\_LP)
- Glass Clip Shelf Support (SS\_GC)
- Split Collar Shelf Support (SS\_SC)

### Additional Options & Accessories:

- Front Riser (FR)
- Split Diameter (SD)
- ADA Compliant Configuration (ADA)
- Curved Crossbar (CURV)
- Solid Acrylic Rod (ACR)
- Reeded Tubing (RT)
- Hammered Ball Fittings (HB)
- Wall Brackets: non-standard (WB)
- Auxiliary Towel Rail (TR)
- TP Holder (TP)

### Styles

#### Classic Collection

Style	Images	Pricing
Tapered Foot	11	42
Decorative Collar	12	46
Ball Foot	13	50
Bun Foot	14	54

#### Traditional Collection

Essex	15	58
Westport	16	60
Capital	17	62
Kingston	18	64
Victorian	19	66
Renaissance	20	67
Providence	21	68
Newport	21a	69a

#### Modern Collection

Studio	22	70
Minimal	23	74
Metro	24	76
Modern	25	80
Square	26	82
Linear	27	84
Jamestown	28	85

#### Wall Mount Collection

Regency	29	86
Apex	30	87

### Finishes, Options & Accessories

Finishes & Materials	32	90
Shelving & Supports	34	92
Options & Accessories	36	94

### Appendices

Order Forms	98
Packing & Shipping	100
Policies & Procedures	101
China Sinks	103
Anatomy of a Leg System	104
Tubing Diameter Reference	105



#### STEP #1: SELECT LEG SYSTEM CONFIGURATION

choose the configuration that best suits your counter size and number of sinks

**1-LEG**  
ANY WIDTH COUNTER  
Wall Bracket not included with single legs - see pg. 96  
32"  
1"

**2-LEG**  
UP TO 60" W COUNTERS  
1 OR 2 SINKS  
Standard Counter Size:  
36"W x 24"D  
32"  
32"  
22"  
1"

**3-LEG**  
UP TO 90" W COUNTERS  
2 SINKS  
Standard Counter Size:  
72"W x 24"D  
32"  
68"  
22"  
1"

**4-LEG**  
UP TO 60" W COUNTERS  
1 OR 2 SINKS  
Standard Counter Size:  
36"W x 24"D  
32"  
32"  
22"  
1"

**5-LEG**  
UP TO 90" W COUNTERS  
2 SINKS  
Standard Counter Size:  
72"W x 24"D  
32"  
68"  
22"  
1"

Standard Wall Bracket(s) included with all leg systems

Custom Configurations are available - if you don't see what you want please call Palmer Customer Support



#### STEP #2: ESTABLISH BASE PRICE OF LEG SYSTEM

using the configuration from step #1, select the finish to determine base price

LEGS	DIA	MODEL	DESCRIPTION	PC - PN	SN	PBUL	ABUL - ORB
1-LEG	1.0"	B100	LEG SINGLE 1.0" BUN FOOT	\$365	\$431	\$402	\$475
2-LEG	1.0"	LS21B	LEG SYS 2-LEG 1.0" BUN FOOT w/ REAR RISERS	\$1,456	\$1,719	\$1,602	\$1,893
		LS21BNR	LEG SYS 2-LEG 1.0" BUN FOOT NO REAR RISERS	\$1,242	\$1,466	\$1,367	\$1,615
3-LEG	1.0"	LS31B	LEG SYS 3-LEG 1.0" BUN FOOT w/ REAR RISERS	\$2,323	\$2,742	\$2,556	\$3,020
		LS31BNR	LEG SYS 3-LEG 1.0" BUN FOOT NO REAR RISERS	\$2,001	\$2,362	\$2,202	\$2,602
4-LEG	1.0"	LS41B	LEG SYS 4-LEG 1.0" BUN FOOT	\$1,997	\$2,357	\$2,197	\$2,597
5-LEG	1.0"	LS51B	LEG SYS 5-LEG 1.0" BUN FOOT	\$2,877	\$3,395	\$3,165	\$3,741

PC = POLISHED CHROME  
PN = POLISHED NICKEL

SN = SATIN NICKEL  
PBUL = POLISHED BRASS UN-LACQUERED

ABUL = AGED BRASS UN-LACQUERED  
ORB = OIL RUBBED BRONZE

can be field cut to reduce size

PVD & OTHER FINISHES ARE AVAILABLE - please see page 90

#### STEP #3: ADD SIZE CHARGES TO BASE PRICE OF LEG SYSTEM

if your counter width is other than the "standard" size shown below, please add the appropriate size charges to the base price

COUNTER WIDTH	LEGS	COUNTER WIDTH	LEGS	COUNTER WIDTH
	2-LEG - OR - 4-LEG		LESS THAN 36"	3-LEG - OR - 5-LEG
36" (STANDARD SIZE)			72" (STANDARD SIZE)	
UP TO 42"			UP TO 78"	
UP TO 48"			UP TO 84"	
UP TO 60"			UP TO 90"	

COUNTER DEPTH NO CHARGE FOR COUNTER DEPTHS UP TO 24"

LEG HEIGHT NO CHARGE FOR LEG HEIGHTS UP TO 36"

For sizes larger than shown, and/or custom configurations, please contact Palmer for a quote

IF YOU ARE NOT ORDERING ANY OPTIONS YOU ARE DONE - calculate shipping costs on pg. 100 & complete order form on pg. 98

#### STEP #4: SELECT YOUR OPTIONS & ACCESSORIES

ONLY the options & accessories listed below may be used with this BUN FOOT style

TURN TO OPTIONS TAB (pg. 91)

Please select only from the Options & Accessories listed here for use with this BUN FOOT style



Turn to the Options & Finishes Tab Page for pricing & details

##### Towel Shelf Options:

- Tubular Metal Shelf (TS)
- Glass Shelf (GS)
- Teak Wood Shelf (WS)

##### Shelf Support Options:

- required for all shelves
- Rail Shelf Support (SS\_R)
- Low Profile Shelf Support (SS\_LP)
- Glass Clip Shelf Support (SS\_GC)
- Split Collar Shelf Support (SS\_SC)

##### Additional Options & Accessories:

- ADA Compliant Configuration (ADA)
- Curved Crossbar (CURV)
- Reeded Tubing (RT)
- Hammered Ball Fittings (HB)
- Wall Brackets: non-standard (WB)
- Auxiliary Towel Rail (TR)
- TP Holder (TP)

## Table of Contents

click on a page # to navigate

### Styles

#### Classic Collection

Style	Images	Pricing
T Tapered Foot	11	42
C Decorative Collar	12	46
BL Ball Foot	13	50
B Bun Foot	14	54

#### Traditional Collection

E Essex	15	58
W Westport	16	60
CAP Capital	17	62
K Kingston	18	64
V Victorian	19	66
REN Renaissance	20	67
P Providence	21	68
N Newport	21a	69a

#### Modern Collection

S Studio	22	70
M Minimal	23	74
MET Metro	24	76
MOD Modern	25	80
SQ Square	26	82
L Linear	27	84
J Jamestown	28	85

#### Wall Mount Collection

REG Regency	29	86
A Apex	30	87

#### Finishes, Options & Accessories

Finishes & Materials	32	90
Shelving & Supports	34	92
Options & Accessories	36	94

#### Appendices

Order Forms	98
Packing & Shipping	100
Policies & Procedures	101
China Sinks	103
Anatomy of a Leg System	104
Tubing Diameter Reference	105





### STEP #1: SELECT LEG SYSTEM CONFIGURATION

choose the configuration that best suits your counter size and number of sinks

**1-LEG**  
ANY WIDTH COUNTER  
Wall Bracket not included with single legs - see pg. 96  
33"  
1 1/2"

**2-LEG**  
UP TO 60" W COUNTERS  
1 OR 2 SINKS  
Standard Counter Size:  
36"W x 24"D  
33"  
32"  
22"  
1 1/2"  
1"  
Front View  
Side View

**3-LEG**  
UP TO 90" W COUNTERS  
2 SINKS  
Standard Counter Size:  
72"W x 24"D  
33"  
68"  
22"  
1 1/2"  
1"  
Includes Center Wall Return  
Wall Bracket  
Front View  
Side View

**4-LEG**  
UP TO 60" W COUNTERS  
1 OR 2 SINKS  
Standard Counter Size:  
36"W x 24"D  
33"  
32"  
22"  
1 1/2"  
1"  
Wall Bracket  
Front View  
Side View

**5-LEG**  
UP TO 90" W COUNTERS  
2 SINKS  
Standard Counter Size:  
72"W x 24"D  
33"  
68"  
22"  
1 1/2"  
1"  
No Center Wall Return  
Wall Bracket  
Front View  
Side View

Standard Wall Bracket(s) included with all leg systems

Custom Configurations are available - if you don't see what you want please call Palmer Customer Support

### STEP #2: ESTABLISH BASE PRICE OF LEG SYSTEM

using the configuration from step #1, select the finish to determine base price

LEGS	DIA	MODEL	DESCRIPTION	PC - PN	SN	PBUL	ABUL - ORB
1-LEG	1.5"	E150	LEG SINGLE 1.5" ESSEX	\$757	\$894	\$833	\$985
2-LEG	1.5"	LS2E	LEG SYS 2-LEG 1.5" ESSEX	\$2,173	\$2,565	\$2,391	\$2,825
3-LEG	1.5"	LS3E	LEG SYS 3-LEG 1.5" ESSEX	\$3,419	\$4,035	\$3,761	\$4,445
4-LEG	1.5"	LS4E	LEG SYS 4-LEG 1.5" ESSEX	\$3,713	\$4,382	\$4,085	\$4,827
5-LEG	1.5"	LS5E	LEG SYS 5-LEG 1.5" ESSEX	\$4,802	\$5,667	\$5,283	\$6,243

PC = POLISHED CHROME  
PN = POLISHED NICKEL

SN = SATIN NICKEL  
PBUL = POLISHED BRASS UN-LACQUERED

ABUL = AGED BRASS UN-LACQUERED  
ORB = OIL RUBBED BRONZE

width & depth can be field cut to reduce size

PVD & OTHER FINISHES ARE AVAILABLE - please see page 90

### STEP #3: ADD SIZE CHARGES TO BASE PRICE OF LEG SYSTEM

if your counter width is other than the "standard" size shown below, please add the appropriate size charges to the base price

COUNTER WIDTH	LEGS	COUNTER WIDTH	LEGS	COUNTER WIDTH	
	2-LEG - OR - 4-LEG	LESS THAN 36"	+\$95	3-LEG - OR - 5-LEG	LESS THAN 72"
36" (STANDARD SIZE)		+\$0	72" (STANDARD SIZE)		+\$0
UP TO 42"		+\$110	UP TO 78"		+\$110
UP TO 48"		+\$160	UP TO 84"		+\$160
UP TO 60"		+\$250	UP TO 90"		+\$250

COUNTER DEPTH NO CHARGE FOR COUNTER DEPTHS UP TO 24"

LEG HEIGHT NO CHARGE FOR LEG HEIGHTS UP TO 36" \*

For sizes larger than shown, and/or custom configurations, please contact Palmer for a quote

\* the Essex style requires a minimum leg height of 33" due to the tapered leg shape

IF YOU ARE NOT ORDERING ANY OPTIONS YOU ARE DONE - calculate shipping costs on pg. 100 & complete order form on pg. 98

### STEP #4: SELECT YOUR OPTIONS & ACCESSORIES

ONLY the options & accessories listed below may be used with the ESSEX style

TURN TO OPTIONS TAB (pg. 91)

Please select only from the Options & Accessories listed here for use with the ESSEX style



Turn to the Options & Finishes Tab Page for pricing & details

#### Towel Shelf Options:

- Tubular Metal Shelf (TS)
- Glass Shelf (GS)
- Teak Wood Shelf (WS)

#### Shelf Support Options: required for all shelves

- Low Profile Shelf Support (SS\_LP)
- Glass Clip Shelf Support (SS\_GC)

#### Additional Options & Accessories:

- ADA Compliant Configuration (ADA)
- Curved Crossbar (CURV)
- Reeded Horizontal Tubing (RTH)
- Wall Brackets: non-standard (WB)
- Auxiliary Towel Rail (TR)
- TP Holder (TP)

#### Styles

##### Classic Collection

Style	Images	Pricing
Tapered Foot	11	42
Decorative Collar	12	46
Ball Foot	13	50
Bun Foot	14	54

##### Traditional Collection

Essex	15	58
Westport	16	60
Capital	17	62
Kingston	18	64
Victorian	19	66
Renaissance	20	67
Providence	21	68
Newport	21a	69a

##### Modern Collection

Studio	22	70
Minimal	23	74
Metro	24	76
Modern	25	80
Square	26	82
Linear	27	84
Jamestown	28	85

##### Wall Mount Collection

Regency	29	86
Apex	30	87

#### Finishes, Options & Accessories

Finishes & Materials	32	90
Shelving & Supports	34	92
Options & Accessories	36	94

#### Appendices

Order Forms	98
Packing & Shipping	100
Policies & Procedures	101
China Sinks	103
Anatomy of a Leg System	104
Tubing Diameter Reference	105



### STEP #1: SELECT LEG SYSTEM CONFIGURATION

choose the configuration that best suits your counter size and number of sinks

**1-LEG**  
ANY WIDTH COUNTER  
Wall Bracket not included with single legs - see pg. 96  
32" height, 1 1/2" top diameter, 1" bottom diameter

**2-LEG**  
UP TO 60" W COUNTERS  
1 OR 2 SINKS  
Standard Counter Size: 36"W x 24"D  
32" height, 32" width, 22" depth, 1 1/2" top diameter, 1" bottom diameter

**3-LEG**  
UP TO 90" W COUNTERS  
2 SINKS  
Standard Counter Size: 72"W x 24"D  
32" height, 68" width, 22" depth, 1 1/2" top diameter, 1" bottom diameter

**4-LEG**  
UP TO 60" W COUNTERS  
1 OR 2 SINKS  
Standard Counter Size: 36"W x 24"D  
32" height, 32" width, 22" depth, 1 1/2" top diameter, 1" bottom diameter

**5-LEG**  
UP TO 90" W COUNTERS  
2 SINKS  
Standard Counter Size: 72"W x 24"D  
32" height, 68" width, 22" depth, 1 1/2" top diameter, 1" bottom diameter

Standard Wall Bracket(s) included with all leg systems

Custom Configurations are available - if you don't see what you want please call Palmer Customer Support

### STEP #2: ESTABLISH BASE PRICE OF LEG SYSTEM

using the configuration from step #1, select the finish to determine base price

LEGS	DIA	MODEL	DESCRIPTION	PC - PN	SN	PBUL	ABUL - ORB
1-LEG	1.0"	W100	LEG SINGLE 1.0" WESTPORT	\$601	\$710	\$662	\$782
2-LEG	1.0"	LS2W	LEG SYS 2-LEG 1.0" WESTPORT	\$2,080	\$2,455	\$2,288	\$2,704
3-LEG	1.0"	LS3W	LEG SYS 3-LEG 1.0" WESTPORT	\$3,335	\$3,936	\$3,669	\$4,336
4-LEG	1.0"	LS4W	LEG SYS 4-LEG 1.0" WESTPORT	\$3,320	\$3,918	\$3,652	\$4,316
5-LEG	1.0"	LS5W	LEG SYS 5-LEG 1.0" WESTPORT	\$4,366	\$5,152	\$4,803	\$5,676

PC = POLISHED CHROME  
PN = POLISHED NICKEL

SN = SATIN NICKEL  
PBUL = POLISHED BRASS UN-LACQUERED

ABUL = AGED BRASS UN-LACQUERED  
ORB = OIL RUBBED BRONZE

width & depth can be field cut to reduce size

PVD & OTHER FINISHES ARE AVAILABLE - please see page 90

### STEP #3: ADD SIZE CHARGES TO BASE PRICE OF LEG SYSTEM

if your counter width is other than the "standard" size shown below, please add the appropriate size charges to the base price

COUNTER WIDTH	LEGS	COUNTER WIDTH	LEGS	COUNTER WIDTH	
	2-LEG - OR - 4-LEG	LESS THAN 36"	+\$95	3-LEG - OR - 5-LEG	LESS THAN 72"
36" (STANDARD SIZE)		+\$0	72" (STANDARD SIZE)		+\$0
UP TO 42"		+\$110	UP TO 78"		+\$110
UP TO 48"		+\$160	UP TO 84"		+\$160
		UP TO 60"	+\$250	UP TO 90"	+\$250

COUNTER DEPTH NO CHARGE FOR COUNTER DEPTHS UP TO 24"

LEG HEIGHT NO CHARGE FOR LEG HEIGHTS UP TO 36"

For sizes larger than shown, and/or custom configurations, please contact Palmer for a quote

IF YOU ARE NOT ORDERING ANY OPTIONS YOU ARE DONE - calculate shipping costs on pg. 100 & complete order form on pg. 98

### STEP #4: SELECT YOUR OPTIONS & ACCESSORIES

ONLY the options & accessories listed below may be used with the WESTPORT style

TURN TO OPTIONS TAB (pg. 91)

Please select only from the Options & Accessories listed here for use with the WESTPORT style



Turn to the Options & Finishes Tab Page for pricing & details

#### Towel Shelf Options:

- Tubular Metal Shelf (TS)
- Glass Shelf (GS)
- Teak Wood Shelf (WS)

#### Shelf Support Options: required for all shelves

- Low Profile Shelf Support (SS\_LP)
- Glass Clip Shelf Support (SS\_GC)
- Split Collar Shelf Support (SS\_SC)

#### Additional Options & Accessories:

- ADA Compliant Configuration (ADA)
- Curved Crossbar (CURV)
- Reeded Tubing (RT)
- Wall Brackets: non-standard (WB)
- Auxiliary Towel Rail (TR)
- TP Holder (TP)

#### Styles

##### Classic Collection

	Images	Pricing
T Tapered Foot	11	42
C Decorative Collar	12	46
BL Ball Foot	13	50
B Bun Foot	14	54

##### Traditional Collection

E Essex	15	58
W Westport	16	60
CAP Capital	17	62
K Kingston	18	64
V Victorian	19	66
REN Renaissance	20	67
P Providence	21	68
N Newport	21a	69a

##### Modern Collection

S Studio	22	70
M Minimal	23	74
MET Metro	24	76
MOD Modern	25	80
SQ Square	26	82
L Linear	27	84
J Jamestown	28	85

##### Wall Mount Collection

REG Regency	29	86
A Apex	30	87

#### Finishes, Options & Accessories

Finishes & Materials	32	90
Shelving & Supports	34	92
Options & Accessories	36	94

#### Appendices

Order Forms	98
Packing & Shipping	100
Policies & Procedures	101
China Sinks	103
Anatomy of a Leg System	104
Tubing Diameter Reference	105



### STEP #1: SELECT LEG SYSTEM CONFIGURATION

choose the configuration that best suits your counter size and number of sinks

**1-LEG**  
ANY WIDTH COUNTER  
Wall Bracket not included with single legs - see pg. 96  
32" height, 1 1/2" top width, 1" bottom width

**2-LEG**  
UP TO 60" W COUNTERS  
1 OR 2 SINKS  
Standard Counter Size: 36"W x 24"D  
32" height, 32" top width, 22" side width, 1 1/2" top width, 1" bottom width

**3-LEG**  
UP TO 90" W COUNTERS  
2 SINKS  
Standard Counter Size: 72"W x 24"D  
32" height, 68" top width, 22" side width, 1 1/2" top width, 1" bottom width

**4-LEG**  
UP TO 60" W COUNTERS  
1 OR 2 SINKS  
Standard Counter Size: 36"W x 24"D  
32" height, 32" top width, 22" side width, 1 1/2" top width, 1" bottom width

**5-LEG**  
UP TO 90" W COUNTERS  
2 SINKS  
Standard Counter Size: 72"W x 24"D  
32" height, 68" top width, 22" side width, 1 1/2" top width, 1" bottom width

Standard Wall Bracket(s) included with all leg systems

Custom Configurations are available - if you don't see what you want please call Palmer Customer Support

Jan 2018 Price List

Sinklegs.com

401-421-1730

M-F 9-5 EST

63

### STEP #2: ESTABLISH BASE PRICE OF LEG SYSTEM

using the configuration from step #1, select the finish to determine base price

LEGS	DIA	MODEL	DESCRIPTION	PC - PN	SN	PBUL	ABUL - ORB
1-LEG	1.0"	CAP100	LEG SINGLE 1.0" CAPITAL	\$748	\$883	\$823	\$973
2-LEG	1.0"	LS2CAP	LEG SYS 2-LEG 1.0" CAPITAL	\$2,971	\$3,506	\$3,269	\$3,863
3-LEG	1.0"	LS3CAP	LEG SYS 3-LEG 1.0" CAPITAL	\$4,806	\$5,672	\$5,287	\$6,248
4-LEG	1.0"	LS4CAP	LEG SYS 4-LEG 1.0" CAPITAL	\$3,931	\$4,639	\$4,325	\$5,111
5-LEG	1.0"	LS5CAP	LEG SYS 5-LEG 1.0" CAPITAL	\$5,644	\$6,660	\$6,209	\$7,338

PC = POLISHED CHROME  
PN = POLISHED NICKEL

SN = SATIN NICKEL  
PBUL = POLISHED BRASS UN-LACQUERED

ABUL = AGED BRASS UN-LACQUERED  
ORB = OIL RUBBED BRONZE

width & depth can be field cut to reduce size

PVD & OTHER FINISHES ARE AVAILABLE - please see page 90

### STEP #3: ADD SIZE CHARGES TO BASE PRICE OF LEG SYSTEM

if your counter width is other than the "standard" size shown below, please add the appropriate size charges to the base price

COUNTER WIDTH	LEGS	COUNTER WIDTH	LEGS	COUNTER WIDTH	
	2-LEG - OR - 4-LEG	LESS THAN 36"	+\$95	3-LEG - OR - 5-LEG	LESS THAN 72"
36" (STANDARD SIZE)		+\$0	72" (STANDARD SIZE)		+\$0
UP TO 42"		+\$110	UP TO 78"		+\$110
UP TO 48"		+\$160	UP TO 84"		+\$160
		UP TO 60"	+\$250	UP TO 90"	+\$250

COUNTER DEPTH NO CHARGE FOR COUNTER DEPTHS UP TO 24"

LEG HEIGHT NO CHARGE FOR LEG HEIGHTS UP TO 36"

For sizes larger than shown, and/or custom configurations, please contact Palmer for a quote

IF YOU ARE NOT ORDERING ANY OPTIONS YOU ARE DONE - calculate shipping costs on pg. 100 & complete order form on pg. 98

### STEP #4: SELECT YOUR OPTIONS & ACCESSORIES

ONLY the options & accessories listed below may be used with the CAPITAL style

TURN TO OPTIONS TAB (pg. 91)

Please select only from the Options & Accessories listed here for use with the CAPITAL style



Turn to the Options & Finishes Tab Page for pricing & details

#### Towel Shelf Options:

- Tubular Metal Shelf (TS)
- Glass Shelf (GS)
- Teak Wood Shelf (WS)

#### Shelf Support Options: required for all shelves

- Low Profile Shelf Support (SS\_LP)
- Glass Clip Shelf Support (SS\_GC)
- Split Collar Shelf Support (SS\_SC)

#### Additional Options & Accessories:

- ADA Compliant Configuration (ADA)
- Reeded Tubing (RT)
- Wall Brackets: non-standard (WB)
- Auxiliary Towel Rail (TR)
- TP Holder (TP)

#### Styles

##### Classic Collection

	Images	Pricing
T Tapered Foot	11	42
C Decorative Collar	12	46
BL Ball Foot	13	50
B Bun Foot	14	54

##### Traditional Collection

E Essex	15	58
W Westport	16	60
CAP Capital	17	62
K Kingston	18	64
V Victorian	19	66
REN Renaissance	20	67
P Providence	21	68
N Newport	21a	69a

##### Modern Collection

S Studio	22	70
M Minimal	23	74
MET Metro	24	76
MOD Modern	25	80
SQ Square	26	82
L Linear	27	84
J Jamestown	28	85

##### Wall Mount Collection

REG Regency	29	86
A Apex	30	87

#### Finishes, Options & Accessories

Finishes & Materials	32	90
Shelving & Supports	34	92
Options & Accessories	36	94

#### Appendices

Order Forms	98
Packing & Shipping	100
Policies & Procedures	101
China Sinks	103
Anatomy of a Leg System	104
Tubing Diameter Reference	105





### STEP #1: SELECT LEG SYSTEM CONFIGURATION

choose the configuration that best suits your counter size and number of sinks

**1-LEG**  
ANY WIDTH COUNTER  
Wall Bracket not included with single legs - see pg. 96  
33" height, 1 1/2" diameter

**2-LEG**  
UP TO 60" W COUNTERS  
1 OR 2 SINKS  
Standard Counter Size: 36"W x 24"D  
33" height, 32" width, 22" depth, 1 1/2" diameter

**3-LEG**  
UP TO 90" W COUNTERS  
2 SINKS  
Standard Counter Size: 72"W x 24"D  
33" height, 68" width, 22" depth, 1 1/2" diameter

**4-LEG**  
UP TO 60" W COUNTERS  
1 OR 2 SINKS  
Standard Counter Size: 36"W x 24"D  
33" height, 32" width, 22" depth, 1 1/2" diameter

**5-LEG**  
UP TO 90" W COUNTERS  
2 SINKS  
Standard Counter Size: 72"W x 24"D  
33" height, 68" width, 22" depth, 1 1/2" diameter

Standard Wall Bracket(s) included with all leg systems

Custom Configurations are available - if you don't see what you want please call Palmer Customer Support

Jan 2018 Price List

Sinklegs.com

401-421-1730

M-F 9-5 EST

### STEP #2: ESTABLISH BASE PRICE OF LEG SYSTEM

using the configuration from step #1, select the finish to determine base price

LEGS	DIA	MODEL	DESCRIPTION	PC - PN	SN	PBUL	ABUL - ORB
1-LEG	1.5"	K150	LEG SINGLE 1.5" KINGSTON	\$834	\$985	\$918	\$1,085
2-LEG	1.5"	LS2K	LEG SYS 2-LEG 1.5" KINGSTON	\$2,231	\$2,633	\$2,455	\$2,901
3-LEG	1.5"	LS3K	LEG SYS 3-LEG 1.5" KINGSTON	\$3,489	\$4,118	\$3,838	\$4,536
4-LEG	1.5"	LS4K	LEG SYS 4-LEG 1.5" KINGSTON	\$3,883	\$4,582	\$4,272	\$5,048
5-LEG	1.5"	LS5K	LEG SYS 5-LEG 1.5" KINGSTON	\$5,001	\$5,902	\$5,502	\$6,502

PC = POLISHED CHROME  
PN = POLISHED NICKEL

SN = SATIN NICKEL  
PBUL = POLISHED BRASS UN-LACQUERED

ABUL = AGED BRASS UN-LACQUERED  
ORB = OIL RUBBED BRONZE

width & depth can be field cut to reduce size

PVD & OTHER FINISHES ARE AVAILABLE - please see page 90

### STEP #3: ADD SIZE CHARGES TO BASE PRICE OF LEG SYSTEM

if your counter width is other than the "standard" size shown below, please add the appropriate size charges to the base price

COUNTER WIDTH	LEGS	COUNTER WIDTH	LEGS	COUNTER WIDTH	
	2-LEG - OR - 4-LEG	LESS THAN 36"	+\$95	3-LEG - OR - 5-LEG	LESS THAN 72"
36" (STANDARD SIZE)			+\$0		72" (STANDARD SIZE)
UP TO 42"		+\$110	UP TO 78"	+\$110	
UP TO 48"		+\$160	UP TO 84"	+\$160	
UP TO 60"		+\$250	UP TO 90"	+\$250	

COUNTER DEPTH NO CHARGE FOR COUNTER DEPTHS UP TO 24"

LEG HEIGHT NO CHARGE FOR LEG HEIGHTS UP TO 36" \*

For sizes larger than shown, and/or custom configurations, please contact Palmer for a quote

\* the Kingston style requires a minimum leg height of 33" due to the tapered leg shape

IF YOU ARE NOT ORDERING ANY OPTIONS YOU ARE DONE - calculate shipping costs on pg. 100 & complete order form on pg. 98

### STEP #4: SELECT YOUR OPTIONS & ACCESSORIES

ONLY the options & accessories listed below may be used with the KINGSTON style

TURN TO OPTIONS TAB (pg. 91)

Please select only from the Options & Accessories listed here for use with the KINGSTON style



Turn to the Options & Finishes Tab Page for pricing & details

#### Towel Shelf Options:

- Tubular Metal Shelf (TS)
- Glass Shelf (GS)
- Teak Wood Shelf (WS)

#### Shelf Support Options:

required for all shelves

- Low Profile Shelf Support (SS\_LP)
- Glass Clip Shelf Support (SS\_GC)

#### Additional Options & Accessories:

- ADA Compliant Configuration (ADA)
- Curved Crossbar (CURV)
- Reeded Horizontal Tubing (RTH)
- Hammered Ball Fittings (HB)
- Wall Brackets: non-standard (WB)
- Auxiliary Towel Rail (TR)
- TP Holder (TP)

#### Styles

##### Classic Collection

	Images	Pricing
T Tapered Foot	11	42
C Decorative Collar	12	46
BL Ball Foot	13	50
B Bun Foot	14	54

##### Traditional Collection

E Essex	15	58
W Westport	16	60
CAP Capital	17	62
K Kingston	18	64
V Victorian	19	66
REN Renaissance	20	67
P Providence	21	68
N Newport	21a	69a

##### Modern Collection

S Studio	22	70
M Minimal	23	74
MET Metro	24	76
MOD Modern	25	80
SQ Square	26	82
L Linear	27	84
J Jamestown	28	85

##### Wall Mount Collection

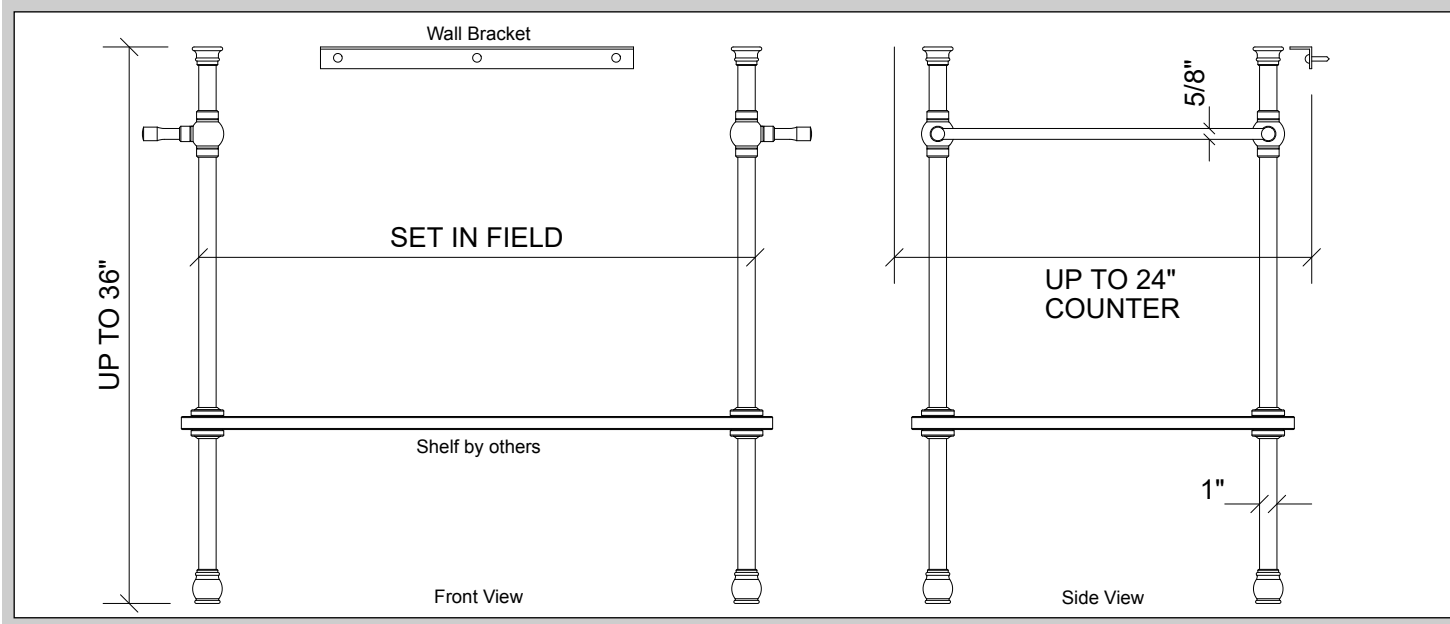
REG Regency	29	86
A Apex	30	87

#### Finishes, Options & Accessories

Finishes & Materials	32	90
Shelving & Supports	34	92
Options & Accessories	36	94

#### Appendices

Order Forms	98
Packing & Shipping	100
Policies & Procedures	101
China Sinks	103
Anatomy of a Leg System	104
Tubing Diameter Reference	105



For sizes larger than shown, and/or custom configurations, please contact Palmer for a quote

**STEP #1: ESTABLISH BASE PRICE OF LEG SYSTEM**  
select the finish to determine base price

LEGS	DIA	MODEL	DESCRIPTION	PC - PN	SN	PBUL	ABUL - ORB
4-LEG	1.0"	LS41V	LEG SYS 4-LEG 1.0" VICTORIAN	\$2,250	\$2,655	\$2,475	\$2,925

PC = POLISHED CHROME      SN = SATIN NICKEL      ABUL = AGED BRASS UN-LACQUERED  
 PN = POLISHED NICKEL      PBUL = POLISHED BRASS UN-LACQUERED      ORB = OIL RUBBED BRONZE

PVD & OTHER FINISHES ARE AVAILABLE - please see page 90

The standard Victorian model as shown includes:  
4 legs, 2 towel rails, and 4 split collar shelf supports designed to support a stone shelf supplied by the customer



IF YOU ARE NOT ORDERING ANY OPTIONS YOU ARE DONE - calculate shipping costs on pg. 100 & complete order form on pg. 98

**STEP #2: SELECT YOUR OPTIONS & ACCESSORIES**      TURN TO OPTIONS TAB (pg. 91)  
ONLY the options & accessories listed below may be used with the VICTORIAN style

Please select only from the Options & Accessories listed here for use with the VICTORIAN style



Turn to the Options & Finishes Tab page for pricing & details

**Towel Shelf Options:**

Victorian designed to receive customer-supplied stone shelf only

**Shelf Support Options:**

required for all shelves  
Includes Split Collar Shelf Support

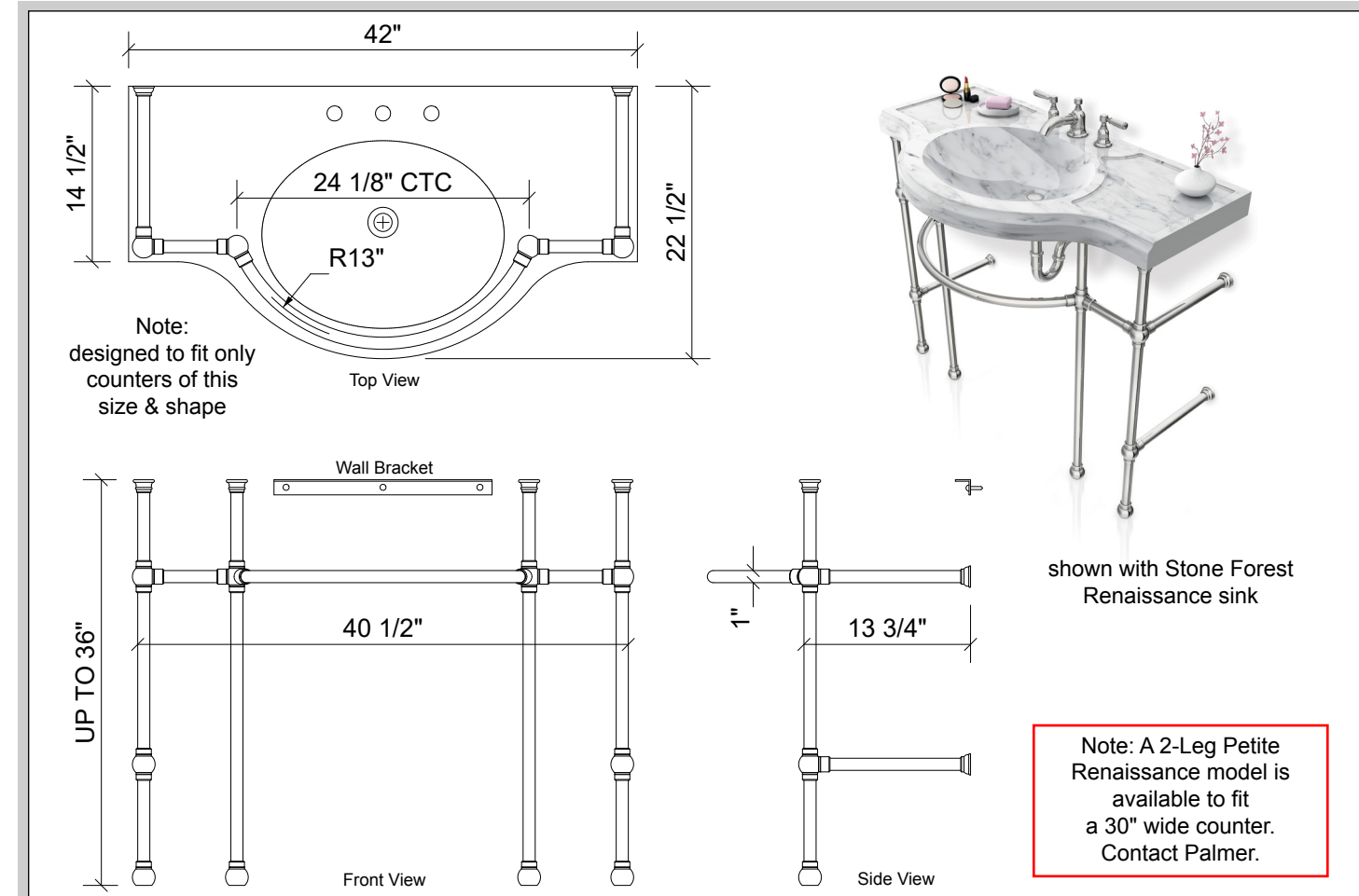
**Additional Options & Accessories:**

Includes 2 Auxiliary Towel Rails

**Available Options:**

Hammered Ball Fittings (HB)  
Wall Brackets: non-standard (WB)

R-102717



Note: designed to fit only counters of this size & shape

shown with Stone Forest Renaissance sink

Note: A 2-Leg Petite Renaissance model is available to fit a 30" wide counter. Contact Palmer.

For sizes larger than shown, and/or custom configurations, please contact Palmer for a quote

**STEP #1: ESTABLISH BASE PRICE OF LEG SYSTEM**  
select the finish to determine base price      PVD & other finishes are available - please see page 90

LEGS	DIA	MODEL	DESCRIPTION	PC - PN	SN	PBUL	ABUL - ORB
4-LEG	1.0"	LS41REN	LEG SYS 4-LEG 1.0" RENAISSANCE	\$3,685	\$4,791	\$4,054	\$4,791

PC = POLISHED CHROME      SN = SATIN NICKEL      ABUL = AGED BRASS UN-LACQUERED  
 PN = POLISHED NICKEL      PBUL = POLISHED BRASS UN-LACQUERED      ORB = OIL RUBBED BRONZE

IF YOU ARE NOT ORDERING ANY OPTIONS YOU ARE DONE - calculate shipping costs on pg. 100 & complete order form on pg. 98

**STEP #2: SELECT YOUR OPTIONS & ACCESSORIES**      TURN TO OPTIONS TAB (pg. 91)  
ONLY the options & accessories listed below may be used with the RENAISSANCE style

Please select only from the Options & Accessories listed here for use with the RENAISSANCE style



Turn to the Options & Finishes Tab Page for pricing & details

**Towel Shelf Options:**

Tubular Metal Shelf (TS)  
Glass Shelf (GS)  
Teak Wood Shelf (WS)

**Shelf Support Options:**

required for all shelves  
Includes Rail Shelf Support

**Additional Options & Accessories:**

Reeded Tubing (RT)  
Hammered Ball Fittings (HB)  
Wall Brackets: non-standard (WB)  
Auxiliary Towel Rail (TR)  
TP Holder (TP)

Styles

Classic Collection

	Images	Pricing
T Tapered Foot	11	42
C Decorative Collar	12	46
BL Ball Foot	13	50
B Bun Foot	14	54

Traditional Collection

E Essex	15	58
W Westport	16	60
CAP Capital	17	62
K Kingston	18	64
V Victorian	19	66
REN Renaissance	20	67
P Providence	21	68
N Newport	21a	69a

Modern Collection

S Studio	22	70
M Minimal	23	74
MET Metro	24	76
MOD Modern	25	80
SQ Square	26	82
L Linear	27	84
J Jamestown	28	85

Wall Mount Collection

REG Regency	29	86
A Apex	30	87

Finishes, Options & Accessories

Finishes & Materials	32	90
Shelving & Supports	34	92
Options & Accessories	36	94

Appendices

Order Forms	98
Packing & Shipping	100
Policies & Procedures	101
China Sinks	103
Anatomy of a Leg System	104
Tubing Diameter Reference	105



### STEP #1: SELECT LEG SYSTEM CONFIGURATION

choose the configuration that best suits your counter size and number of sinks

**2-LEG**

UP TO 60" W COUNTERS

1 OR 2 SINKS

Standard Counter Size:  
36"W x 24"D

**3-LEG**

UP TO 90" W COUNTERS

2 SINKS

Standard Counter Size:  
72"W x 24"D

**4-LEG**

UP TO 60" W COUNTERS

1 OR 2 SINKS

Standard Counter Size:  
36"W x 24"D

**5-LEG**

UP TO 90" W COUNTERS

2 SINKS

Standard Counter Size:  
72"W x 24"D

Standard Wall Bracket(s) included with all leg systems

Custom Configurations are available - if you don't see what you want please call Palmer Customer Support

Jan 2018 Price List

Sinklegs.com

401-421-1730

M-F 9-5 EST

### STEP #2: ESTABLISH BASE PRICE OF LEG SYSTEM

using the configuration from step #1, select the finish to determine base price

LEGS	DIA	MODEL	DESCRIPTION	PC - PN	SN	PBUL	ABUL - ORB
2-LEG	1.5"	LS2P	LEG SYS 2-LEG 1.5" PROVIDENCE	\$5,200	\$5,500	\$5,200	\$5,200
3-LEG	1.5"	LS3P	LEG SYS 3-LEG 1.5" PROVIDENCE	\$8,200	\$8,600	\$8,200	\$8,200
4-LEG	1.5"	LS4P	LEG SYS 4-LEG 1.5" PROVIDENCE	\$8,900	\$9,400	\$8,900	\$8,900
5-LEG	1.5"	LS5P	LEG SYS 5-LEG 1.5" PROVIDENCE	\$11,900	\$12,500	\$11,900	\$11,900

PC = POLISHED CHROME  
PN = POLISHED NICKEL

SN = SATIN NICKEL  
PBUL = POLISHED BRASS UN-LACQUERED

ABUL = AGED BRASS UN-LACQUERED  
ORB = OIL RUBBED BRONZE

PVD & OTHER FINISHES ARE AVAILABLE - please see page 90

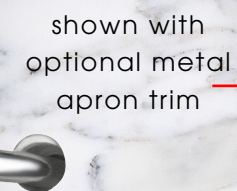
### SIZING THE PROVIDENCE LEG SYSTEM

The width and depth of the Providence leg system is determined by the lengths of the stone aprons.

Palmer will provide detailed drawings and specifications for the stone apron pieces required.

Prices include leg heights up to a maximum of 36".

ALL STONE PROVIDED BY CUSTOMER.



shown with optional metal apron trim

contact Palmer for quote



IF YOU ARE NOT ORDERING ANY OPTIONS YOU ARE DONE - calculate shipping costs on pg. 100 & complete order form on pg. 98

### STEP #3: SELECT YOUR OPTIONS & ACCESSORIES

ONLY the options & accessories listed below may be used with the PROVIDENCE style

TURN TO OPTIONS TAB (pg. 91)

Please select only from the Options & Accessories listed here for use with the PROVIDENCE style



Turn to the Options & Finishes Tab Page for pricing & details

#### Towel Shelf Options:

- Tubular Metal Shelf (TS)
- Glass Shelf (GS)
- Teak Wood Shelf (WS)

#### Shelf Support Options: required for all shelves

- Low Profile Shelf Support (SS\_LP)
- Glass Clip Shelf Support (SS\_GC)

#### Additional Options & Accessories:

- Wall Brackets: non-standard (WB)
- Auxiliary Towel Rail (TR)
- TP Holder (TP)

### Styles

#### Classic Collection

Style	Images	Pricing
T Tapered Foot	11	42
C Decorative Collar	12	46
BL Ball Foot	13	50
B Bun Foot	14	54

#### Traditional Collection

E Essex	15	58
W Westport	16	60
CAP Capital	17	62
K Kingston	18	64
V Victorian	19	66
REN Renaissance	20	67
P Providence	21	68
N Newport	21a	69a

#### Modern Collection

S Studio	22	70
M Minimal	23	74
MET Metro	24	76
MOD Modern	25	80
SQ Square	26	82
L Linear	27	84
J Jamestown	28	85

#### Wall Mount Collection

REG Regency	29	86
A Apex	30	87

### Finishes, Options & Accessories

Finishes & Materials	32	90
Shelving & Supports	34	92
Options & Accessories	36	94

### Appendices

Order Forms	98
Packing & Shipping	100
Policies & Procedures	101
China Sinks	103
Anatomy of a Leg System	104
Tubing Diameter Reference	105



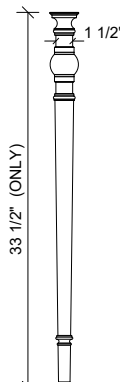
### STEP #1: SELECT LEG SYSTEM CONFIGURATION

choose the configuration that best suits your counter size and number of sinks

**1-LEG**

ANY WIDTH COUNTER

Wall Bracket not included with single legs - see pg. 96



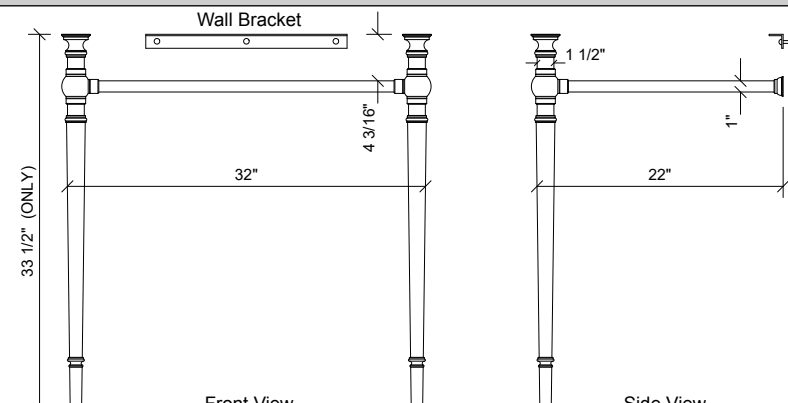
33 1/2" (ONLY)

**2-LEG**

UP TO 60" W COUNTERS

1 OR 2 SINKS

Standard Counter Size: 36"W x 24"D



Wall Bracket

32"

4 3/16"

33 1/2" (ONLY)

22"

1 1/2"

1"

Front View

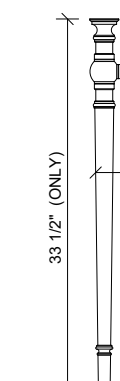
Side View

**3-LEG**

UP TO 90" W COUNTERS

2 SINKS

Standard Counter Size: 72"W x 24"D



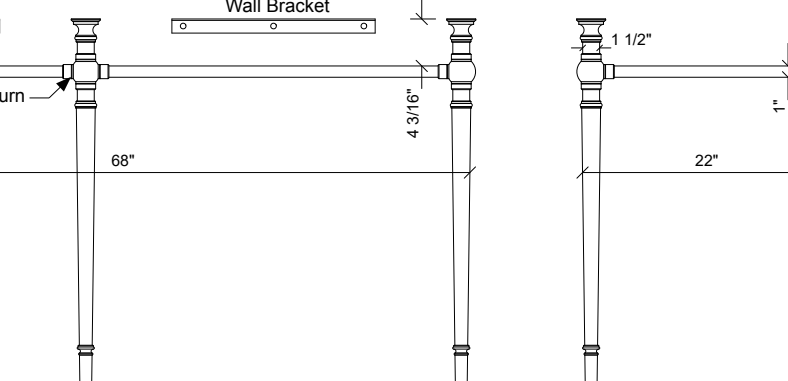
33 1/2" (ONLY)

**3-LEG**

UP TO 90" W COUNTERS

2 SINKS

Standard Counter Size: 72"W x 24"D



Wall Bracket

Wall Bracket

Includes Center Wall Return

68"

4 3/16"

33 1/2" (ONLY)

22"

1 1/2"

1"

Front View


Side View

**4-LEG**

UP TO 60" W COUNTERS

1 OR 2 SINKS

Standard Counter Size: 36"W x 24"D



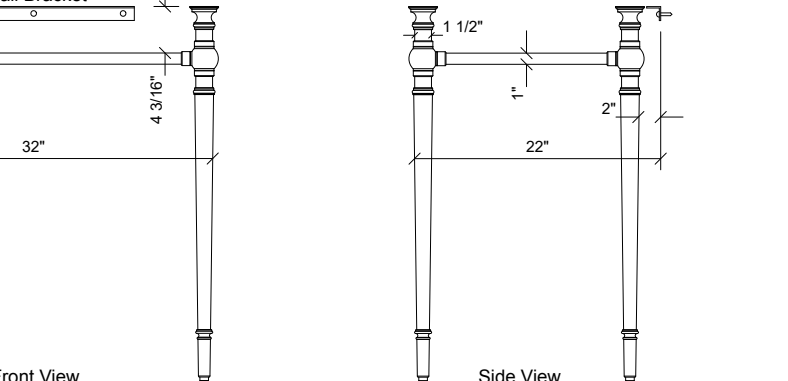
33 1/2" (ONLY)

**4-LEG**

UP TO 60" W COUNTERS

1 OR 2 SINKS

Standard Counter Size: 36"W x 24"D



Wall Bracket

32"

4 3/16"

33 1/2" (ONLY)

22"

1 1/2"

1"

2"

Front View

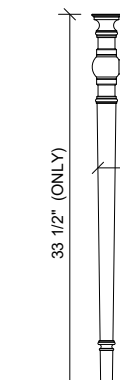
Side View

**5-LEG**

UP TO 90" W COUNTERS

2 SINKS

Standard Counter Size: 72"W x 24"D



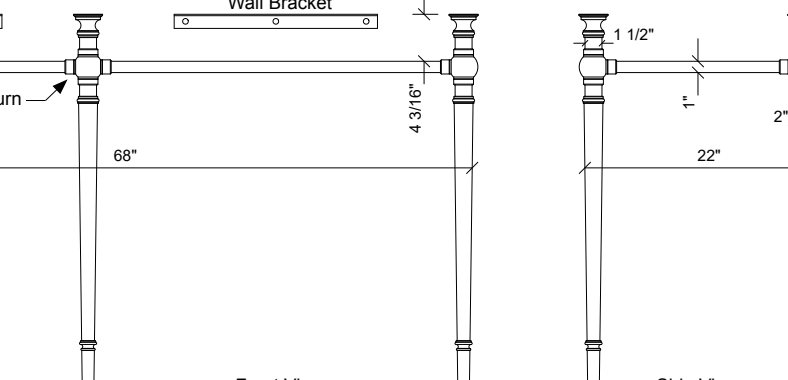
33 1/2" (ONLY)

**5-LEG**

UP TO 90" W COUNTERS

2 SINKS

Standard Counter Size: 72"W x 24"D



Wall Bracket

Wall Bracket

No Center Wall Return

68"

4 3/16"

33 1/2" (ONLY)

22"

1 1/2"

1"

2"

Front View

Side View

Standard Wall Bracket(s) included with all leg systems

Custom Configurations are available - if you don't see what you want please call Palmer Customer Support

### STEP #2: ESTABLISH BASE PRICE OF LEG SYSTEM

using the configuration from step #1, select the finish to determine base price

LEGS	DIA	MODEL	DESCRIPTION	PC - PN	SN	PBUL	ABUL - ORB
1-LEG	1.5"	N150	LEG SINGLE 1.5" NEWPORT	Call	Call	Call	Call
2-LEG	1.5"	LS2N	LEG SYS 2-LEG 1.5" NEWPORT	\$3,400	\$3,400	\$3,400	\$3,400
3-LEG	1.5"	LS3N	LEG SYS 3-LEG 1.5" NEWPORT	Call	Call	Call	Call
4-LEG	1.5"	LS4N	LEG SYS 4-LEG 1.5" NEWPORT	Call	Call	Call	Call
5-LEG	1.5"	LS5N	LEG SYS 5-LEG 1.5" NEWPORT	Call	Call	Call	Call

PC = POLISHED CHROME  
PN = POLISHED NICKEL

SN = SATIN NICKEL  
PBUL = POLISHED BRASS UN-LACQUERED

ABUL = AGED BRASS UN-LACQUERED  
ORB = OIL RUBBED BRONZE

width & depth can be field cut to reduce size PVD & OTHER FINISHES ARE AVAILABLE - please see page 90

### STEP #3: ADD SIZE CHARGES TO BASE PRICE OF LEG SYSTEM

if your counter width is other than the "standard" size shown below, please add the appropriate size charges to the base price

COUNTER WIDTH	LEGS	COUNTER WIDTH	LEGS	COUNTER WIDTH
	2-LEG - OR - 4-LEG		LESS THAN 36"	3-LEG - OR - 5-LEG
36" (STANDARD SIZE)			72" (STANDARD SIZE)	
UP TO 42"			UP TO 78"	
UP TO 48"			UP TO 84"	
UP TO 60"			UP TO 90"	
COUNTER DEPTH	NO CHARGE FOR COUNTER DEPTHS UP TO 24"			
LEG HEIGHT	NO CHARGE FOR LEG HEIGHTS UP TO 36" *			

For sizes larger than shown, and/or custom configurations, please contact Palmer for a quote

\* the Newport style is only available in a leg height of 33 1/2" due to the tapered leg shape

IF YOU ARE NOT ORDERING ANY OPTIONS YOU ARE DONE - calculate shipping costs on pg. 100 & complete order form on pg. 98

### STEP #4: SELECT YOUR OPTIONS & ACCESSORIES

ONLY the options & accessories listed below may be used with the MINIMAL style

TURN TO OPTIONS TAB (pg. 91)

Please select only from the Options & Accessories listed here for use with the NEWPORT style



Turn to the Options & Finishes Tab Page for pricing & details

#### Towel Shelf Options:

- Tubular Metal Shelf (TS)
- Glass Shelf (GS)

#### Shelf Support Options:

required for all shelves

- Low Profile Shelf Support (SS\_LP)
- Glass Clip Shelf Support (SS\_GC)

#### Additional Options & Accessories:

- ADA Compliant Configuration (ADA)
- Curved Crossbar (CURV)
- Wall Brackets: non-standard (WB)
- Wood & Metal Combination Crossbar
- Hammered Ball Fittings (HB)
- Auxiliary Towel Rail (TR)
- TP Holder (TP)

#### Styles

##### Classic Collection

	Images	Pricing
T Tapered Foot	11	42
C Decorative Collar	12	46
BL Ball Foot	13	50
B Bun Foot	14	54

##### Traditional Collection

E Essex	15	58
W Westport	16	60
CAP Capital	17	62
K Kingston	18	64
V Victorian	19	66
REN Renaissance	20	67
P Providence	21	68
N Newport	21a	69a

##### Modern Collection

S Studio	22	70
M Minimal	23	74
MET Metro	24	76
MOD Modern	25	80
SQ Square	26	82
L Linear	27	84
J Jamestown	28	85

##### Wall Mount Collection

REG Regency	29	86
A Apex	30	87

#### Finishes, Options & Accessories

Finishes & Materials	32	90
Shelving & Supports	34	92
Options & Accessories	36	94

#### Appendices

Order Forms	98
Packing & Shipping	100
Policies & Procedures	101
China Sinks	103
Anatomy of a Leg System	104
Tubing Diameter Reference	105



STEP #1: SELECT LEG SYSTEM CONFIGURATION

choose the configuration that best suits your counter size and number of sinks

**1-LEG**  
ANY WIDTH COUNTER  
Wall Bracket not included with single legs - see pg. 96  
32"  
1 1/2"

**2-LEG**  
UP TO 60" W COUNTERS  
1 OR 2 SINKS  
Standard Counter Size: 36"W x 24"D  
32"  
22"  
1 1/2"  
Front View  
Side View  
Wall Bracket  
Optional Decorative Rear-Risers

**3-LEG**  
UP TO 90" W COUNTERS  
2 SINKS  
Standard Counter Size: 72"W x 24"D  
32"  
68"  
22"  
1 1/2"  
Front View  
Side View  
Wall Bracket  
Includes Center Wall Return  
Optional Decorative Rear-Risers

**4-LEG**  
UP TO 60" W COUNTERS  
1 OR 2 SINKS  
Standard Counter Size: 36"W x 24"D  
32"  
22"  
1 1/2"  
Front View  
Side View  
Wall Bracket

**5-LEG**  
UP TO 90" W COUNTERS  
2 SINKS  
Standard Counter Size: 72"W x 24"D  
32"  
68"  
22"  
1 1/2"  
Front View  
Side View  
Wall Bracket  
Includes Center Wall Return

Standard Wall Bracket(s) included with all leg systems

Custom Configurations are available - if you don't see what you want please call Palmer Customer Support

STEP #2: ESTABLISH BASE PRICE OF LEG SYSTEM

using the configuration from step #1, select the finish to determine base price

LEGS	DIA	MODEL	DESCRIPTION	PC - PN	SN	PBUL	ABUL - ORB
1-LEG	1.5"	S150	LEG SINGLE 1.5" STUDIO	\$425	\$502	\$468	\$553
2-LEG	1.5"	LS2S	LEG SYS 2-LEG 1.5" STUDIO w/ REAR RISERS	\$1,963	\$2,317	\$2,160	\$2,552
		LS2SNR	LEG SYS 2-LEG 1.5" STUDIO NO REAR RISERS	\$1,672	\$1,973	\$1,840	\$2,174
3-LEG	1.5"	LS3S	LEG SYS 3-LEG 1.5" STUDIO w/ REAR RISERS	\$3,120	\$3,682	\$3,432	\$4,056
		LS3SNR	LEG SYS 3-LEG 1.5" STUDIO NO REAR RISERS	\$2,685	\$3,169	\$2,954	\$3,491
4-LEG	1.5"	LS4S	LEG SYS 4-LEG 1.5" STUDIO	\$2,687	\$3,171	\$2,956	\$3,494
5-LEG	1.5"	LS5S	LEG SYS 5-LEG 1.5" STUDIO	\$3,876	\$4,574	\$4,264	\$5,039

PC = POLISHED CHROME  
PN = POLISHED NICKEL

SN = SATIN NICKEL  
PBUL = POLISHED BRASS UN-LACQUERED

ABUL = AGED BRASS UN-LACQUERED  
ORB = OIL RUBBED BRONZE

can be field cut to reduce size

PVD & OTHER FINISHES ARE AVAILABLE - please see page 90

STEP #3: ADD SIZE CHARGES TO BASE PRICE OF LEG SYSTEM

if your counter width is other than the "standard" size shown below, please add the appropriate size charges to the base price

COUNTER WIDTH	LEGS	COUNTER WIDTH	LEGS	COUNTER WIDTH
	2-LEG - OR - 4-LEG		LESS THAN 36"	3-LEG - OR - 5-LEG
36" (STANDARD SIZE)			72" (STANDARD SIZE)	
UP TO 42"			UP TO 78"	
UP TO 48" *			UP TO 84"	
		UP TO 60" *		UP TO 90"

COUNTER DEPTH NO CHARGE FOR COUNTER DEPTHS UP TO 24"

LEG HEIGHT NO CHARGE FOR LEG HEIGHTS UP TO 36"

For sizes larger than shown, and/or custom configurations, please contact Palmer for a quote

\* front riser(s) should be considered for counters 48" or wider (see pg. 94)

IF YOU ARE NOT ORDERING ANY OPTIONS YOU ARE DONE - calculate shipping costs on pg. 100 & complete order form on pg. 98

STEP #4: SELECT YOUR OPTIONS & ACCESSORIES

ONLY the options & accessories listed below may be used with this STUDIO style

TURN TO OPTIONS TAB (pg. 91)

Please select only from the Options & Accessories listed here for use with this STUDIO style



Turn to the Options & Finishes Tab Page for pricing & details

Towel Shelf Options:

- Tubular Metal Shelf (TS)
- Glass Shelf (GS)
- Teak Wood Shelf (WS)

Shelf Support Options:  
required for all shelves

- Rail Shelf Support (SS\_R)
- Low Profile Shelf Support (SS\_LP)
- Glass Clip Shelf Support (SS\_GC)
- Split Collar Shelf Support (SS\_SC)

Additional Options & Accessories:

- Front Riser (FR)
- Split Diameter (SD)
- ADA Compliant Configuration (ADA)
- Curved Crossbar (CURV)
- Solid Acrylic Rod (ACR)
- Wall Brackets: non-standard (WB)
- Auxiliary Towel Rail (TR)
- TP Holder (TP)

Styles

Classic Collection

	Images	Pricing
T Tapered Foot	11	42
C Decorative Collar	12	46
BL Ball Foot	13	50
B Bun Foot	14	54

Traditional Collection

E Essex	15	58
W Westport	16	60
CAP Capital	17	62
K Kingston	18	64
V Victorian	19	66
REN Renaissance	20	67
P Providence	21	68
N Newport	21a	69a

Modern Collection

S Studio	22	70
M Minimal	23	74
MET Metro	24	76
MOD Modern	25	80
SQ Square	26	82
L Linear	27	84
J Jamestown	28	85

Wall Mount Collection

REG Regency	29	86
A Apex	30	87

Finishes, Options & Accessories

Finishes & Materials	32	90
Shelving & Supports	34	92
Options & Accessories	36	94

Appendices

Order Forms	98
Packing & Shipping	100
Policies & Procedures	101
China Sinks	103
Anatomy of a Leg System	104
Tubing Diameter Reference	105



STEP #1: SELECT LEG SYSTEM CONFIGURATION

choose the configuration that best suits your counter size and number of sinks

**1-LEG**  
ANY WIDTH COUNTER  
Wall Bracket not included with single legs - see pg. 96  
32"  
1"  
32"

**2-LEG**  
UP TO 60" W COUNTERS  
1 OR 2 SINKS  
Standard Counter Size: 36"W x 24"D  
32"  
32"  
32"  
Wall Bracket  
22"  
Optional Decorative Rear-Risers  
1"

**3-LEG**  
UP TO 90" W COUNTERS  
2 SINKS  
Standard Counter Size: 72"W x 24"D  
32"  
68"  
22"  
1"  
Wall Bracket  
Includes Center Wall Return  
Optional Decorative Rear-Risers

**4-LEG**  
UP TO 60" W COUNTERS  
1 OR 2 SINKS  
Standard Counter Size: 36"W x 24"D  
32"  
32"  
22"  
1"

**5-LEG**  
UP TO 90" W COUNTERS  
2 SINKS  
Standard Counter Size: 72"W x 24"D  
32"  
68"  
22"  
1"

Standard Wall Bracket(s) included with all leg systems

Custom Configurations are available - if you don't see what you want please call Palmer Customer Support

STEP #2: ESTABLISH BASE PRICE OF LEG SYSTEM

using the configuration from step #1, select the finish to determine base price

LEGS	DIA	MODEL	DESCRIPTION	PC - PN	SN	PBUL	ABUL - ORB
1-LEG	1.0"	S100	LEG SINGLE 1.0" STUDIO	\$326	\$385	\$359	\$424
2-LEG	1.0"	LS21S	LEG SYS 2-LEG 1.0" STUDIO w/ REAR RISERS	\$1,419	\$1,675	\$1,561	\$1,845
		LS21SNR	LEG SYS 2-LEG 1.0" STUDIO NO REAR RISERS	\$1,242	\$1,466	\$1,367	\$1,615
3-LEG	1.0"	LS31S	LEG SYS 3-LEG 1.0" STUDIO w/ REAR RISERS	\$2,268	\$2,677	\$2,495	\$2,949
		LS31SNR	LEG SYS 3-LEG 1.0" STUDIO NO REAR RISERS	\$2,001	\$2,362	\$2,202	\$2,602
4-LEG	1.0"	LS41S	LEG SYS 4-LEG 1.0" STUDIO	\$1,928	\$2,276	\$2,121	\$2,507
5-LEG	1.0"	LS51S	LEG SYS 5-LEG 1.0" STUDIO	\$2,789	\$3,292	\$3,068	\$3,626

PC = POLISHED CHROME  
PN = POLISHED NICKEL

SN = SATIN NICKEL  
PBUL = POLISHED BRASS UN-LACQUERED

ABUL = AGED BRASS UN-LACQUERED  
ORB = OIL RUBBED BRONZE

can be field cut to reduce size

PVD & OTHER FINISHES ARE AVAILABLE - please see page 90

STEP #3: ADD SIZE CHARGES TO BASE PRICE OF LEG SYSTEM

if your counter width is other than the "standard" size shown below, please add the appropriate size charges to the base price

COUNTER WIDTH	LEGS	COUNTER WIDTH	LEGS	COUNTER WIDTH
	2-LEG - OR - 4-LEG		LESS THAN 36"	3-LEG - OR - 5-LEG
36" (STANDARD SIZE)			72" (STANDARD SIZE)	
UP TO 42"			UP TO 78"	
UP TO 48"			UP TO 84"	
UP TO 60"			UP TO 90"	

COUNTER DEPTH NO CHARGE FOR COUNTER DEPTHS UP TO 24"

LEG HEIGHT NO CHARGE FOR LEG HEIGHTS UP TO 36"

For sizes larger than shown, and/or custom configurations, please contact Palmer for a quote

IF YOU ARE NOT ORDERING ANY OPTIONS YOU ARE DONE - calculate shipping costs on pg. 100 & complete order form on pg. 98

STEP #4: SELECT YOUR OPTIONS & ACCESSORIES

ONLY the options & accessories listed below may be used with this STUDIO style

TURN TO OPTIONS TAB (pg. 91)

Please select only from the Options & Accessories listed here for use with this STUDIO style



Turn to the Options & Finishes Tab Page for pricing & details

Towel Shelf Options:

- Tubular Metal Shelf (TS)
- Glass Shelf (GS)
- Teak Wood Shelf (WS)

Shelf Support Options: required for all shelves

- Rail Shelf Support (SS\_R)
- Low Profile Shelf Support (SS\_LP)
- Glass Clip Shelf Support (SS\_GC)
- Split Collar Shelf Support (SS\_SC)

Additional Options & Accessories:

- ADA Compliant Configuration (ADA)
- Curved Crossbar (CURV)
- Wall Brackets: non-standard (WB)
- Auxiliary Towel Rail (TR)
- TP Holder (TP)

Styles

Classic Collection

	Images	Pricing
T Tapered Foot	11	42
C Decorative Collar	12	46
BL Ball Foot	13	50
B Bun Foot	14	54

Traditional Collection

E Essex	15	58
W Westport	16	60
CAP Capital	17	62
K Kingston	18	64
V Victorian	19	66
REN Renaissance	20	67
P Providence	21	68
N Newport	21a	69a

Modern Collection

S Studio	22	70
M Minimal	23	74
MET Metro	24	76
MOD Modern	25	80
SQ Square	26	82
L Linear	27	84
J Jamestown	28	85

Wall Mount Collection

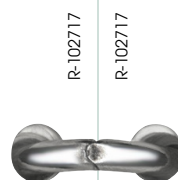
REG Regency	29	86
A Apex	30	87

Finishes, Options & Accessories

Finishes & Materials	32	90
Shelving & Supports	34	92
Options & Accessories	36	94

Appendices

Order Forms	98
Packing & Shipping	100
Policies & Procedures	101
China Sinks	103
Anatomy of a Leg System	104
Tubing Diameter Reference	105





STEP #1: SELECT LEG SYSTEM CONFIGURATION

choose the configuration that best suits your counter size and number of sinks

**1-LEG**  
ANY WIDTH COUNTER  
Wall Bracket not included with single legs - see pg. 96  
33" height, 1 1/2" diameter

**2-LEG**  
UP TO 60" W COUNTERS  
1 OR 2 SINKS  
Standard Counter Size: 36"W x 24"D  
33" height, 32" width, 22" depth, 1 1/2" diameter

**3-LEG**  
UP TO 90" W COUNTERS  
2 SINKS  
Standard Counter Size: 72"W x 24"D  
33" height, 68" width, 22" depth, 1 1/2" diameter

**4-LEG**  
UP TO 60" W COUNTERS  
1 OR 2 SINKS  
Standard Counter Size: 36"W x 24"D  
33" height, 32" width, 22" depth, 1 1/2" diameter

**5-LEG**  
UP TO 90" W COUNTERS  
2 SINKS  
Standard Counter Size: 72"W x 24"D  
33" height, 68" width, 22" depth, 1 1/2" diameter

Standard Wall Bracket(s) included with all leg systems

Custom Configurations are available - if you don't see what you want please call Palmer Customer Support

STEP #2: ESTABLISH BASE PRICE OF LEG SYSTEM

using the configuration from step #1, select the finish to determine base price

LEGS	DIA	MODEL	DESCRIPTION	PC - PN	SN	PBUL	ABUL - ORB
1-LEG	1.5"	M150	LEG SINGLE 1.5" MINIMAL	\$757	\$894	\$833	\$985
2-LEG	1.5"	LS2M	LEG SYS 2-LEG 1.5" MINIMAL	\$2,173	\$2,565	\$2,391	\$2,825
3-LEG	1.5"	LS3M	LEG SYS 3-LEG 1.5" MINIMAL	\$3,419	\$4,035	\$3,761	\$4,445
4-LEG	1.5"	LS4M	LEG SYS 4-LEG 1.5" MINIMAL	\$3,713	\$4,382	\$4,085	\$4,827
5-LEG	1.5"	LS5M	LEG SYS 5-LEG 1.5" MINIMAL	\$4,802	\$5,667	\$5,283	\$6,243

PC = POLISHED CHROME  
PN = POLISHED NICKEL

SN = SATIN NICKEL  
PBUL = POLISHED BRASS UN-LACQUERED

ABUL = AGED BRASS UN-LACQUERED  
ORB = OIL RUBBED BRONZE

width & depth can be field cut to reduce size

PVD & OTHER FINISHES ARE AVAILABLE - please see page 90

STEP #3: ADD SIZE CHARGES TO BASE PRICE OF LEG SYSTEM

if your counter width is other than the "standard" size shown below, please add the appropriate size charges to the base price

COUNTER WIDTH	LEGS	COUNTER WIDTH	LEGS	COUNTER WIDTH	
	2-LEG - OR - 4-LEG	LESS THAN 36"	+\$95	3-LEG - OR - 5-LEG	LESS THAN 72"
36" (STANDARD SIZE)		+\$0	72" (STANDARD SIZE)		+\$0
UP TO 42"		+\$110	UP TO 78"		+\$110
UP TO 48"		+\$160	UP TO 84"		+\$160
UP TO 60"		+\$250	UP TO 90"		+\$250

COUNTER DEPTH NO CHARGE FOR COUNTER DEPTHS UP TO 24"

LEG HEIGHT NO CHARGE FOR LEG HEIGHTS UP TO 36" \*

For sizes larger than shown, and/or custom configurations, please contact Palmer for a quote

\* the Minimal style requires a minimum leg height of 33" due to the tapered leg shape

IF YOU ARE NOT ORDERING ANY OPTIONS YOU ARE DONE - calculate shipping costs on pg. 100 & complete order form on pg. 98

STEP #4: SELECT YOUR OPTIONS & ACCESSORIES

ONLY the options & accessories listed below may be used with the MINIMAL style

TURN TO OPTIONS TAB (pg. 91)

Please select only from the Options & Accessories listed here for use with the MINIMAL style



Turn to the Options & Finishes Tab Page for pricing & details

Towel Shelf Options:

- Tubular Metal Shelf (TS)
- Glass Shelf (GS)
- Teak Wood Shelf (WS)

Shelf Support Options:

- required for all shelves
- Low Profile Shelf Support (SS\_LP)
- Glass Clip Shelf Support (SS\_GC)

Additional Options & Accessories:

- ADA Compliant Configuration (ADA)
- Curved Crossbar (CURV)
- Wall Brackets: non-standard (WB)
- Auxiliary Towel Rail (TR)
- TP Holder (TP)

Styles

Classic Collection

Style	Images	Pricing
Tapered Foot	11	42
Decorative Collar	12	46
Ball Foot	13	50
Bun Foot	14	54

Traditional Collection

Essex	15	58
Westport	16	60
Capital	17	62
Kingston	18	64
Victorian	19	66
Renaissance	20	67
Providence	21	68
Newport	21a	69a

Modern Collection

Studio	22	70
Minimal	23	74
Metro	24	76
Modern	25	80
Square	26	82
Linear	27	84
Jamestown	28	85

Wall Mount Collection

Regency	29	86
Apex	30	87

Finishes, Options & Accessories

Finishes & Materials	32	90
Shelving & Supports	34	92
Options & Accessories	36	94

Appendices

Order Forms	98
Packing & Shipping	100
Policies & Procedures	101
China Sinks	103
Anatomy of a Leg System	104
Tubing Diameter Reference	105





Metro

SEE PHOTO ON PG. 24



LEG SYSTEM CONFIGURATIONS

1.5" DIAMETER TUBING

See Page 78 for 1.0" diameter

Metro

SEE PHOTO ON PG. 24



BASE PRICING & SIZE CHARGES

1.5" DIAMETER TUBING

See Page 78 for 1.0" diameter



Table of Contents  
click on a page # to navigate

### STEP #1: SELECT LEG SYSTEM CONFIGURATION

choose the configuration that best suits your counter size and number of sinks

**1-LEG**  
ANY WIDTH COUNTER  
Wall Bracket not included with single legs - see pg. 96  
32"  
1 1/2"

**2-LEG**  
UP TO 60" W COUNTERS  
1 OR 2 SINKS  
Standard Counter Size: 36"W x 24"D  
32"  
22"  
1 1/2"  
Front View  
Side View

**3-LEG**  
UP TO 90" W COUNTERS  
2 SINKS  
Standard Counter Size: 72"W x 24"D  
32"  
68"  
22"  
1 1/2"  
Includes Center Wall Return  
Front View  
Side View

**4-LEG**  
UP TO 60" W COUNTERS  
1 OR 2 SINKS  
Standard Counter Size: 36"W x 24"D  
32"  
22"  
1 1/2"  
Front View  
Side View

**5-LEG**  
UP TO 90" W COUNTERS  
2 SINKS  
Standard Counter Size: 72"W x 24"D  
32"  
68"  
22"  
1 1/2"  
No Center Wall Return  
Front View  
Side View

Standard Wall Bracket(s) included with all leg systems

Custom Configurations are available - if you don't see what you want please call Palmer Customer Support

Jan 2018 Price List

Sinklegs.com

401-421-1730

M-F 9-5 EST

### STEP #2: ESTABLISH BASE PRICE OF LEG SYSTEM

using the configuration from step #1, select the finish to determine base price

LEGS	DIA	MODEL	DESCRIPTION	PC - PN	SN	PBUL	ABUL - ORB
1-LEG	1.5"	MET150	LEG SINGLE 1.5" METRO	\$390	\$461	\$429	\$507
2-LEG	1.5"	LS2MET	LEG SYS 2-LEG 1.5" METRO	\$1,672	\$1,973	\$1,840	\$2,174
3-LEG	1.5"	LS3MET	LEG SYS 3-LEG 1.5" METRO	\$2,721	\$3,211	\$2,994	\$3,538
4-LEG	1.5"	LS4MET	LEG SYS 4-LEG 1.5" METRO	\$2,538	\$2,995	\$2,792	\$3,300
5-LEG	1.5"	LS5MET	LEG SYS 5-LEG 1.5" METRO	\$3,383	\$3,992	\$3,722	\$4,398

PC = POLISHED CHROME  
PN = POLISHED NICKEL

SN = SATIN NICKEL  
PBUL = POLISHED BRASS UN-LACQUERED

ABUL = AGED BRASS UN-LACQUERED  
ORB = OIL RUBBED BRONZE

can be field cut to reduce size

PVD & OTHER FINISHES ARE AVAILABLE - please see page 90

### STEP #3: ADD SIZE CHARGES TO BASE PRICE OF LEG SYSTEM

if your counter width is other than the "standard" size shown below, please add the appropriate size charges to the base price

COUNTER WIDTH	LEGS	COUNTER WIDTH	LEGS	COUNTER WIDTH	
	2-LEG - OR - 4-LEG	LESS THAN 36"	+\$95	3-LEG - OR - 5-LEG	LESS THAN 72"
36" (STANDARD SIZE)		+\$0	72" (STANDARD SIZE)		+\$0
UP TO 42"		+\$110	UP TO 78"		+\$110
UP TO 48"		+\$160	UP TO 84"		+\$160
UP TO 60"		+\$250	UP TO 90"		+\$250

COUNTER DEPTH NO CHARGE FOR COUNTER DEPTHS UP TO 24"

LEG HEIGHT NO CHARGE FOR LEG HEIGHTS UP TO 36"

For sizes larger than shown, and/or custom configurations, please contact Palmer for a quote

IF YOU ARE NOT ORDERING ANY OPTIONS YOU ARE DONE - calculate shipping costs on pg. 100 & complete order form on pg. 98

### STEP #4: SELECT YOUR OPTIONS & ACCESSORIES

ONLY the options & accessories listed below may be used with this METRO style

TURN TO OPTIONS TAB (pg. 91)

Please select only from the Options & Accessories listed here for use with this METRO style



Turn to the Options & Finishes Tab Page for pricing & details

#### Towel Shelf Options:

- Tubular Metal Shelf (TS)
- Glass Shelf (GS)
- Teak Wood Shelf (WS)

#### Shelf Support Options: required for all shelves

- Low Profile Shelf Support (SS\_LP)
- Glass Clip Shelf Support (SS\_GC)
- Split Collar Shelf Support (SS\_SC)

#### Additional Options & Accessories:

- ADA Compliant Configuration (ADA)
- Curved Crossbar (CURV)
- Wall Brackets: non-standard (WB)
- Auxiliary Towel Rail (TR)
- TP Holder (TP)

#### Styles

##### Classic Collection

Style	Images	Pricing
Tapered Foot	11	42
Decorative Collar	12	46
Ball Foot	13	50
Bun Foot	14	54

##### Traditional Collection

Essex	15	58
Westport	16	60
Capital	17	62
Kingston	18	64
Victorian	19	66
Renaissance	20	67
Providence	21	68
Newport	21a	69a

##### Modern Collection

Studio	22	70
Minimal	23	74
Metro	24	76
Modern	25	80
Square	26	82
Linear	27	84
Jamestown	28	85

##### Wall Mount Collection

Regency	29	86
Apex	30	87

#### Finishes, Options & Accessories

Finishes & Materials	32	90
Shelving & Supports	34	92
Options & Accessories	36	94

#### Appendices

Order Forms	98
Packing & Shipping	100
Policies & Procedures	101
China Sinks	103
Anatomy of a Leg System	104
Tubing Diameter Reference	105







Metro

SEE PHOTO ON PG. 24



LEG SYSTEM CONFIGURATIONS

1.0" DIAMETER TUBING

See page 76 for 1.5" diameter

Metro

SEE PHOTO ON PG. 24



BASE PRICING & SIZE CHARGES

1.0" DIAMETER TUBING

See page 76 for 1.5" diameter



Table of Contents

click on a page # to navigate

STEP #1: SELECT LEG SYSTEM CONFIGURATION

choose the configuration that best suits your counter size and number of sinks

**1-LEG**  
ANY WIDTH COUNTER  
Wall Bracket not included with single legs - see pg. 96  
32"  
1"

**2-LEG**  
UP TO 60" W COUNTERS  
1 OR 2 SINKS  
Standard Counter Size: 36"W x 24"D  
32"  
32"  
22"  
5/8"  
1"  
Front View  
Side View

**3-LEG**  
UP TO 90" W COUNTERS  
2 SINKS  
Standard Counter Size: 72"W x 24"D  
32"  
68"  
22"  
5/8"  
1"  
Front View  
Side View

**4-LEG**  
UP TO 60" W COUNTERS  
1 OR 2 SINKS  
Standard Counter Size: 36"W x 24"D  
32"  
32"  
22"  
5/8"  
1"  
Front View  
Side View

**5-LEG**  
UP TO 90" W COUNTERS  
2 SINKS  
Standard Counter Size: 72"W x 24"D  
32"  
68"  
22"  
5/8"  
1"  
Front View  
Side View

Standard Wall Bracket(s) included with all leg systems

Custom Configurations are available - if you don't see what you want please call Palmer Customer Support

Jan 2018 Price List

Sinklegs.com

401-421-1730

M-F 9-5 EST

79

STEP #2: ESTABLISH BASE PRICE OF LEG SYSTEM

using the configuration from step #1, select the finish to determine base price

LEGS	DIA	MODEL	DESCRIPTION	PC - PN	SN	PBUL	ABUL - ORB
1-LEG	1.0"	MET100	LEG SINGLE 1.0" METRO	\$300	\$354	\$330	\$390
2-LEG	1.0"	LS21MET	LEG SYS 2-LEG 1.0" METRO	\$1,242	\$1,466	\$1,367	\$1,615
3-LEG	1.0"	LS31MET	LEG SYS 3-LEG 1.0" METRO	\$1,945	\$2,296	\$2,140	\$2,529
4-LEG	1.0"	LS41MET	LEG SYS 4-LEG 1.0" METRO	\$1,838	\$2,169	\$2,022	\$2,390
5-LEG	1.0"	LS51MET	LEG SYS 5-LEG 1.0" METRO	\$2,473	\$2,919	\$2,721	\$3,215

PC = POLISHED CHROME  
PN = POLISHED NICKEL

SN = SATIN NICKEL  
PBUL = POLISHED BRASS UN-LACQUERED

ABUL = AGED BRASS UN-LACQUERED  
ORB = OIL RUBBED BRONZE

can be field cut to reduce size

PVD & OTHER FINISHES ARE AVAILABLE - please see page 90

STEP #3: ADD SIZE CHARGES TO BASE PRICE OF LEG SYSTEM

if your counter width is other than the "standard" size shown below, please add the appropriate size charges to the base price

COUNTER WIDTH	LEGS	COUNTER WIDTH	LEGS	COUNTER WIDTH	
	2-LEG - OR - 4-LEG	LESS THAN 36"	+\$95	3-LEG - OR - 5-LEG	LESS THAN 72"
36" (STANDARD SIZE)		+\$0	72" (STANDARD SIZE)		+\$0
UP TO 42"		+\$110	UP TO 78"		+\$110
UP TO 48"		+\$160	UP TO 84"		+\$160
UP TO 60"		+\$250	UP TO 90"		+\$250

COUNTER DEPTH NO CHARGE FOR COUNTER DEPTHS UP TO 24"

LEG HEIGHT NO CHARGE FOR LEG HEIGHTS UP TO 36"

For sizes larger than shown, and/or custom configurations, please contact Palmer for a quote

IF YOU ARE NOT ORDERING ANY OPTIONS YOU ARE DONE - calculate shipping costs on pg. 100 & complete order form on pg. 98

STEP #4: SELECT YOUR OPTIONS & ACCESSORIES

ONLY the options & accessories listed below may be used with this METRO style

TURN TO OPTIONS TAB (pg. 91)

Please select only from the Options & Accessories listed here for use with this METRO style



Turn to the Options & Finishes Tab Page for pricing & details

Towel Shelf Options:

- Tubular Metal Shelf (TS)
- Glass Shelf (GS)
- Teak Wood Shelf (WS)

Shelf Support Options: required for all shelves

- Low Profile Shelf Support (SS\_LP)
- Glass Clip Shelf Support (SS\_GC)
- Split Collar Shelf Support (SS\_SC)

Additional Options & Accessories:

- ADA Compliant Configuration (ADA)
- Curved Crossbar (CURV)
- Wall Brackets: non-standard (WB)

Styles

Classic Collection

Style	Images	Pricing
Tapered Foot	11	42
Decorative Collar	12	46
Ball Foot	13	50
Bun Foot	14	54

Traditional Collection

Essex	15	58
Westport	16	60
Capital	17	62
Kingston	18	64
Victorian	19	66
Renaissance	20	67
Providence	21	68
Newport	21a	69a

Modern Collection

Studio	22	70
Minimal	23	74
Metro	24	76
Modern	25	80
Square	26	82
Linear	27	84
Jamestown	28	85

Wall Mount Collection

Regency	29	86
Apex	30	87

Finishes, Options & Accessories

Finishes & Materials	32	90
Shelving & Supports	34	92
Options & Accessories	36	94

Appendices

Order Forms	98
Packing & Shipping	100
Policies & Procedures	101
China Sinks	103
Anatomy of a Leg System	104
Tubing Diameter Reference	105

78



**STEP #1: SELECT LEG SYSTEM CONFIGURATION**

choose the configuration that best suits your counter size and number of sinks

**1-LEG**  
ANY WIDTH COUNTER  
Wall Bracket not included with single legs - see pg. 96  
1 1/2"  
32"

**2-LEG**  
UP TO 60" W COUNTERS  
1 OR 2 SINKS  
Standard Counter Size:  
36"W x 24"D  
32"  
32"  
22"  
1"  
1 1/2"

**3-LEG**  
UP TO 90" W COUNTERS  
2 SINKS  
Standard Counter Size:  
72"W x 24"D  
32"  
68"  
22"  
1 1/2"

**4-LEG**  
UP TO 60" W COUNTERS  
1 OR 2 SINKS  
Standard Counter Size:  
36"W x 24"D  
32"  
32"  
22"  
1 1/2"

**5-LEG**  
UP TO 90" W COUNTERS  
2 SINKS  
Standard Counter Size:  
72"W x 24"D  
32"  
68"  
22"  
1 1/2"

Standard Wall Bracket(s) included with all leg systems

Custom Configurations are available - if you don't see what you want please call Palmer Customer Support

Jan 2018 Price List



**STEP #2: ESTABLISH BASE PRICE OF LEG SYSTEM**

using the configuration from step #1, select the finish to determine base price

LEGS	DIA	MODEL	DESCRIPTION	PC - PN	SN	PBUL	ABUL - ORB
1-LEG	1.5"	MOD150	LEG SINGLE 1.5" MODERN	\$743	\$877	\$818	\$966
2-LEG	1.5"	LS2MOD	LEG SYS 2-LEG 1.5" MODERN	\$2,132	\$2,516	\$2,346	\$2,772
3-LEG	1.5"	LS3MOD	LEG SYS 3-LEG 1.5" MODERN	\$3,361	\$3,966	\$3,698	\$4,370
4-LEG	1.5"	LS4MOD	LEG SYS 4-LEG 1.5" MODERN	\$3,599	\$4,247	\$3,959	\$4,679
5-LEG	1.5"	LS5MOD	LEG SYS 5-LEG 1.5" MODERN	\$4,645	\$5,482	\$5,110	\$6,039

PC = POLISHED CHROME  
PN = POLISHED NICKEL

SN = SATIN NICKEL  
PBUL = POLISHED BRASS UN-LACQUERED

ABUL = AGED BRASS UN-LACQUERED  
ORB = OIL RUBBED BRONZE

width & depth can be field cut to reduce size

PVD & OTHER FINISHES ARE AVAILABLE - please see page 90

**STEP #3: ADD SIZE CHARGES TO BASE PRICE OF LEG SYSTEM**

if your counter width is other than the "standard" size shown below, please add the appropriate size charges to the base price

COUNTER WIDTH	LEGS	COUNTER WIDTH	LEGS	COUNTER WIDTH	
	2-LEG - OR - 4-LEG	LESS THAN 36"	+\$95	3-LEG - OR - 5-LEG	LESS THAN 72"
36" (STANDARD SIZE)		+\$0	72" (STANDARD SIZE)		+\$0
UP TO 42"		+\$110	UP TO 78"		+\$110
UP TO 48"		+\$160	UP TO 84"		+\$160
		UP TO 60"	+\$250	UP TO 90"	+\$250

**COUNTER DEPTH** NO CHARGE FOR COUNTER DEPTHS UP TO 24"

**LEG HEIGHT** NO CHARGE FOR LEG HEIGHTS UP TO 36"

For sizes larger than shown, and/or custom configurations, please contact Palmer for a quote

IF YOU ARE NOT ORDERING ANY OPTIONS YOU ARE DONE - calculate shipping costs on pg. 100 & complete order form on pg. 98

**STEP #4: SELECT YOUR OPTIONS & ACCESSORIES**

ONLY the options & accessories listed below may be used with the MODERN style

TURN TO OPTIONS TAB (pg. 91)

Please select only from the Options & Accessories listed here for use with the MODERN style



Turn to the Options & Finishes Tab Page for pricing & details

**Towel Shelf Options:**

- Tubular Metal Shelf (TS)
- Glass Shelf (GS)
- Teak Wood Shelf (WS)

**Shelf Support Options:**

required for all shelves

- Rail Shelf Support (SS\_R)
- Low Profile Shelf Support (SS\_LP)
- Glass Clip Shelf Support (SS\_GC)
- Split Collar Shelf Support (SS\_SC)

**Additional Options & Accessories:**

- ADA Compliant Configuration (ADA)
- Curved Crossbar (CURV)
- Hammered Ball Fittings (HB)
- Wall Brackets: non-standard (WB)
- Auxiliary Towel Rail (TR)
- TP Holder (TP)

Styles

Classic Collection

Style	Images	Pricing
Tapered Foot	11	42
Decorative Collar	12	46
Ball Foot	13	50
Bun Foot	14	54

Traditional Collection

Essex	15	58
Westport	16	60
Capital	17	62
Kingston	18	64
Victorian	19	66
Renaissance	20	67
Providence	21	68
Newport	21a	69a

Modern Collection

Studio	22	70
Minimal	23	74
Metro	24	76
Modern	25	80
Square	26	82
Linear	27	84
Jamestown	28	85

Wall Mount Collection

Regency	29	86
Apex	30	87

Finishes, Options & Accessories

Finishes & Materials	32	90
Shelving & Supports	34	92
Options & Accessories	36	94

Appendices

Order Forms	98
Packing & Shipping	100
Policies & Procedures	101
China Sinks	103
Anatomy of a Leg System	104
Tubing Diameter Reference	105



### STEP #1: SELECT LEG SYSTEM CONFIGURATION

choose the configuration that best suits your counter size and number of sinks

**1-LEG**  
ANY WIDTH COUNTER  
Wall Bracket not included with single legs - see pg. 96  
32"  
1 1/2"

**2-LEG**  
UP TO 60" W COUNTERS  
1 OR 2 SINKS  
Standard Counter Size: 36"W x 24"D  
32"  
32"  
22"  
1 1/2"  
Front View  
Side View  
Wall Bracket  
Optional Decorative Rear-Risers

**3-LEG**  
UP TO 90" W COUNTERS  
2 SINKS  
Standard Counter Size: 72"W x 24"D  
32"  
68"  
22"  
1 1/2"  
Front View  
Side View  
Wall Bracket  
Includes Center Wall Return  
Optional Decorative Rear-Risers

**4-LEG**  
UP TO 60" W COUNTERS  
1 OR 2 SINKS  
Standard Counter Size: 36"W x 24"D  
32"  
32"  
22"  
1 1/2"  
Front View  
Side View  
Wall Bracket

**5-LEG**  
UP TO 90" W COUNTERS  
2 SINKS  
Standard Counter Size: 72"W x 24"D  
32"  
68"  
22"  
1 1/2"  
Front View  
Side View  
Wall Bracket  
No Center Wall Return

Standard Wall Bracket(s) included with all leg systems

Custom Configurations are available - if you don't see what you want please call Palmer Customer Support

### STEP #2: ESTABLISH BASE PRICE OF LEG SYSTEM

using the configuration from step #1, select the finish to determine base price

LEGS	TUBE	MODEL	DESCRIPTION	PC - PN	SN	PBUL	ABUL - ORB
1-LEG	1.5" Sq	SQ150	LEG SINGLE 1.5" SQUARE	\$585	\$691	\$644	\$761
2-LEG	1.5" Sq	LS2SQ	LEG SYS 2-LEG 1.5" SQUARE w/ REAR RISERS	\$2,099	\$2,477	\$2,309	\$2,729
		LS2SQNR	LEG SYS 2-LEG 1.5" SQUARE NO REAR RISERS	\$1,964	\$2,318	\$2,161	\$2,554
3-LEG	1.5" Sq	LS3SQ	LEG SYS 3-LEG 1.5" SQUARE w/ REAR RISERS	\$3,389	\$4,000	\$3,728	\$4,406
		LS3SQNR	LEG SYS 3-LEG 1.5" SQUARE NO REAR RISERS	\$3,246	\$3,831	\$3,571	\$4,220
4-LEG	1.5" Sq	LS4SQ	LEG SYS 4-LEG 1.5" SQUARE	\$3,173	\$3,745	\$3,491	\$4,125
5-LEG	1.5" Sq	LS5SQ	LEG SYS 5-LEG 1.5" SQUARE	\$4,347	\$5,130	\$4,782	\$5,652

PC = POLISHED CHROME  
PN = POLISHED NICKEL

SN = SATIN NICKEL  
PBUL = POLISHED BRASS UN-LACQUERED

ABUL = AGED BRASS UN-LACQUERED  
ORB = OIL RUBBED BRONZE

width & depth can be field cut to reduce size

PVD & OTHER FINISHES ARE AVAILABLE - please see page 90

### STEP #3: ADD SIZE CHARGES TO BASE PRICE OF LEG SYSTEM

if your counter width is other than the "standard" size shown below, please add the appropriate size charges to the base price

COUNTER WIDTH	LEGS	COUNTER WIDTH	LEGS	COUNTER WIDTH	
	2-LEG - OR - 4-LEG	LESS THAN 36"	+\$95	3-LEG	LESS THAN 72"
36" (STANDARD SIZE)			+\$0		72" (STANDARD SIZE)
UP TO 42"		+\$110	- OR - 5-LEG	UP TO 78"	+\$110
UP TO 48"		+\$160		UP TO 84"	+\$160
UP TO 60"		+\$450		UP TO 90"	+\$450

COUNTER DEPTH NO CHARGE FOR COUNTER DEPTHS UP TO 24"

LEG HEIGHT NO CHARGE FOR LEG HEIGHTS UP TO 34"

For sizes larger than shown, and/or custom configurations, please contact Palmer for a quote

IF YOU ARE NOT ORDERING ANY OPTIONS YOU ARE DONE - calculate shipping costs on pg. 100 & complete order form on pg. 98

### STEP #4: SELECT YOUR OPTIONS & ACCESSORIES

ONLY the options & accessories listed below may be used with the SQUARE style

TURN TO OPTIONS TAB (pg. 91)

Please select only from the Options & Accessories listed here for use with the SQUARE style



Turn to the Options & Finishes Tab Page for pricing & details

#### Towel Shelf Options:

- Tubular Metal Shelf (TS)
- Glass Shelf (GS)
- Teak Wood Shelf (WS)

#### Shelf Support Options: required for all shelves

- Low Profile Shelf Support (SS\_LP)
- Glass Clip Shelf Support (SS\_GC)

#### Additional Options & Accessories:

- ADA Compliant Configuration (ADA)
- Wall Brackets: non-standard (WB)
- Auxiliary Towel Rail (TR)
- TP Holder (TP)

#### Styles

##### Classic Collection

	Images	Pricing
T Tapered Foot	11	42
C Decorative Collar	12	46
BL Ball Foot	13	50
B Bun Foot	14	54

##### Traditional Collection

E Essex	15	58
W Westport	16	60
CAP Capital	17	62
K Kingston	18	64
V Victorian	19	66
REN Renaissance	20	67
P Providence	21	68
N Newport	21a	69a

##### Modern Collection

S Studio	22	70
M Minimal	23	74
MET Metro	24	76
MOD Modern	25	80
SQ Square	26	82
L Linear	27	84
J Jamestown	28	85

##### Wall Mount Collection

REG Regency	29	86
A Apex	30	87

#### Finishes, Options & Accessories

Finishes & Materials	32	90
Shelving & Supports	34	92
Options & Accessories	36	94

#### Appendices

Order Forms	98
Packing & Shipping	100
Policies & Procedures	101
China Sinks	103
Anatomy of a Leg System	104
Tubing Diameter Reference	105

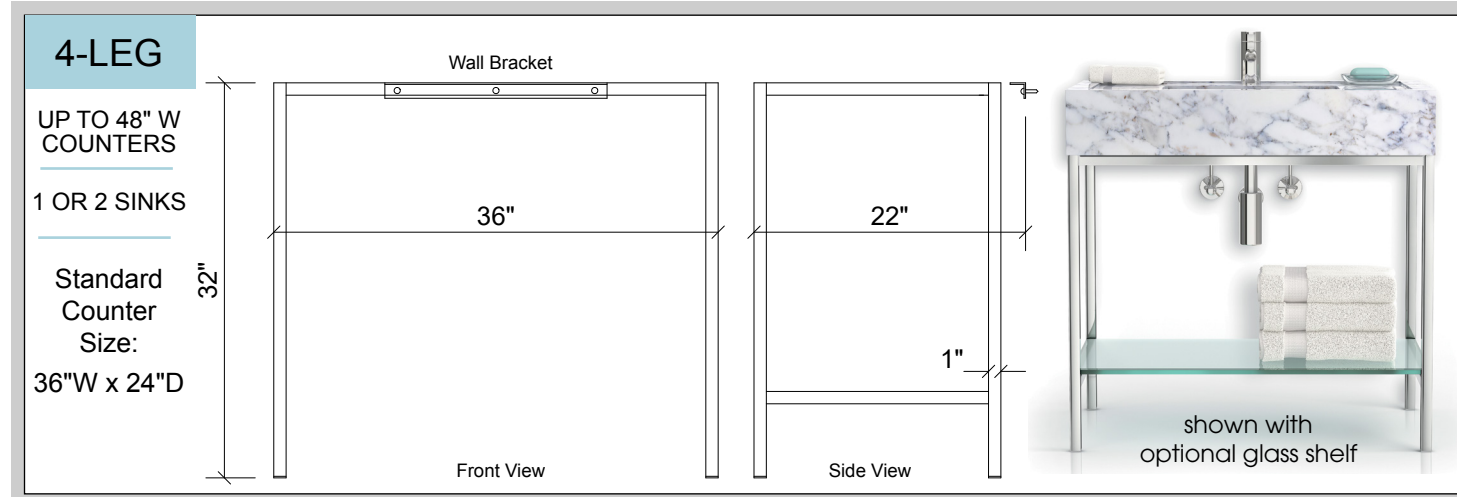


Linear

SEE PHOTO ON PG. 27

LEG SYSTEM CONFIGURATION

LINEAR NOT RECOMMENDED FOR CHINA SINKS



For sizes larger than shown, and/or custom configurations, please contact Palmer for a quote

**STEP #1: ESTABLISH BASE PRICE OF LEG SYSTEM**

select the finish to determine base price • PVD & other finishes are available - please see page 90

LEGS	TUBE	MODEL	DESCRIPTION	PC - PN	SN	PBUL	ABUL - ORB
4-LEG	1.0" Sq	LS41L	LEG SYS 4-LEG 1.0" LINEAR	\$3,980	\$4,185	\$3,600	\$3,600

PC = POLISHED CHROME  
PN = POLISHED NICKEL

SN = SATIN NICKEL  
PBUL = POLISHED BRASS UN-LACQUERED

ABUL = AGED BRASS UN-LACQUERED  
ORB = OIL RUBBED BRONZE

**STEP #2: ADD SIZE CHARGES TO BASE PRICE OF LEG SYSTEM**

if your counter width is other than the "standard" size shown below, please add the appropriate size charges to the base price

COUNTER WIDTH	LEGS	COUNTER WIDTH	
	4-LEG	LESS THAN 36"	+\$95
		36" (STANDARD SIZE)	+\$0
		UP TO 42"	+\$160
		UP TO 48"	+\$450

COUNTER DEPTH	NO CHARGE FOR COUNTER DEPTHS UP TO 24"
LEG HEIGHT	NO CHARGE FOR LEG HEIGHTS UP TO 36"

IF YOU ARE NOT ORDERING ANY OPTIONS YOU ARE DONE - calculate shipping costs on pg. 100 & complete order form on pg. 98

**STEP #3: SELECT YOUR OPTIONS & ACCESSORIES**

ONLY the options & accessories listed below may be used with the LINEAR style

TURN TO OPTIONS TAB (pg. 91)

Please select only from the Options & Accessories listed here for use with the LINEAR style

Turn to the Options & Finishes Tab page for pricing & details

**Towel Shelf Options:**

- Tubular Metal Shelf (TS)
- Glass Shelf (GS)
- Teak Wood Shelf (WS)

**Additional Options & Accessories:**

- ADA Compliant Configuration (ADA)
- Wall Brackets: non-standard (WB)

**Shelf Support Options:**  
required for all shelves

- Includes Linear Style Shelf Support

Standard Wall Bracket included with all leg systems  
Jan 2018 Price List

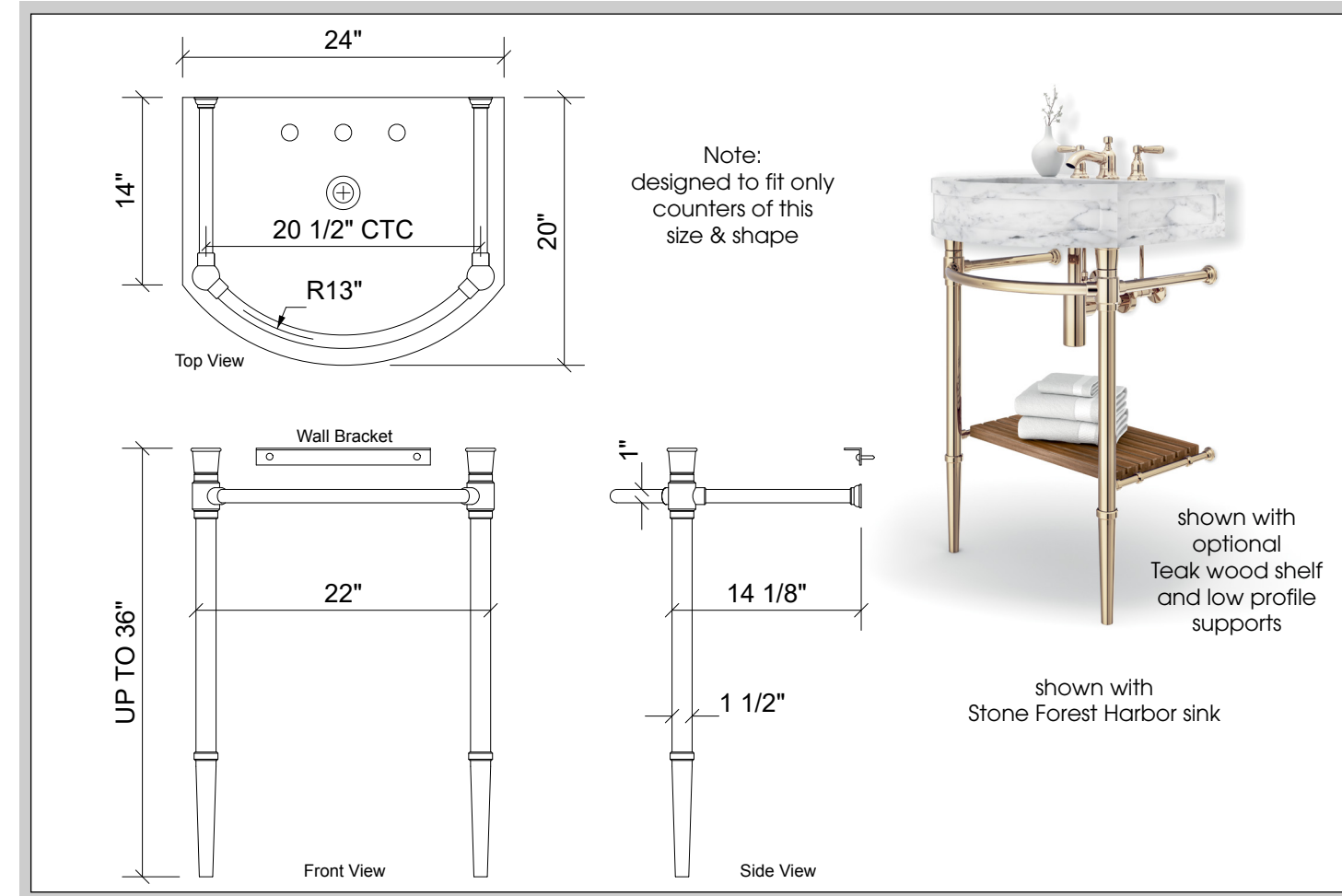
Sinklegs.com

401-421-1730

Jamestown

SEE PHOTO ON PG. 28

LEG SYSTEM CONFIGURATION



Note:  
designed to fit only  
counters of this  
size & shape

shown with  
optional  
Teak wood shelf  
and low profile  
supports

shown with  
Stone Forest Harbor sink

For sizes larger than shown, and/or custom configurations, please contact Palmer for a quote

**STEP #1: ESTABLISH BASE PRICE OF LEG SYSTEM**

select the finish to determine base price • PVD & other finishes are available - please see page 90

LEGS	DIA	MODEL	DESCRIPTION	PC - PN	SN	PBUL	ABUL - ORB
2-LEG	1.5"	LS2J	LEG SYS 2-LEG 1.5" JAMESTOWN	\$2,449	\$2,890	\$2,694	\$3,184

PC = POLISHED CHROME  
PN = POLISHED NICKEL

SN = SATIN NICKEL  
PBUL = POLISHED BRASS UN-LACQUERED

ABUL = AGED BRASS UN-LACQUERED  
ORB = OIL RUBBED BRONZE

IF YOU ARE NOT ORDERING ANY OPTIONS YOU ARE DONE - calculate shipping costs on pg. 100 & complete order form on pg. 98

**STEP #2: SELECT YOUR OPTIONS & ACCESSORIES**

ONLY the options & accessories listed below may be used with the JAMESTOWN style

TURN TO OPTIONS TAB (pg. 91)

Please select only from the Options & Accessories listed here for use with the JAMESTOWN style

Turn to the Options & Finishes Tab Page for pricing & details

**Towel Shelf Options:**

- Tubular Metal Shelf (TS)
- Glass Shelf (GS)
- Teak Wood Shelf (WS)

**Additional Options & Accessories:**

- Wall Brackets: non-standard (WB)
- Auxiliary Towel Rail (TR)
- TP Holder (TP)

**Shelf Support Options:**  
required for all shelves

- Rail Shelf Support (SS\_R)
- Low Profile Shelf Support (SS\_LP)
- Glass Clip Shelf Support (SS\_GC)
- Split Collar Shelf Support (SS\_SC)

Standard Wall Bracket included with all leg systems  
M-F 9-5 EST

Table of Contents

click on a page # to navigate

Styles

Classic Collection

	Images	Pricing
T Tapered Foot	11	42
C Decorative Collar	12	46
BL Ball Foot	13	50
B Bun Foot	14	54

Traditional Collection

E Essex	15	58
W Westport	16	60
CAP Capital	17	62
K Kingston	18	64
V Victorian	19	66
REN Renaissance	20	67
P Providence	21	68
N Newport	21a	69a

Modern Collection

S Studio	22	70
M Minimal	23	74
MET Metro	24	76
MOD Modern	25	80
SQ Square	26	82
L Linear	27	84
J Jamestown	28	85

Wall Mount Collection

REG Regency	29	86
A Apex	30	87

Finishes, Options & Accessories

Finishes & Materials	32	90
Shelving & Supports	34	92
Options & Accessories	36	94

Appendices

Order Forms	98
Packing & Shipping	100
Policies & Procedures	101
China Sinks	103
Anatomy of a Leg System	104
Tubing Diameter Reference	105



**Top View:** 30" width, 14 1/2" height, R13" radius.

**Front View:** 27 3/8" width, 11 5/8" height.

**Side View:** 13 1/8" depth, 1" offset.

Note: designed to fit only counters of this size & shape

Note: Wall Mount Systems Require Solid Wood Blocking in Wall

For sizes larger than shown, and/or custom configurations, please contact Palmer for a quote

**STEP #1: ESTABLISH BASE PRICE OF WALL MOUNT SYSTEM**  
select the finish to determine base price

DIA	MODEL	DESCRIPTION	PC - PN	SN	PBUL	ABUL - ORB
1.0"	WMREG	WALL MOUNT SYS REGENCY	\$3,265	\$3,265	\$3,265	\$3,265

PC = POLISHED CHROME      SN = SATIN NICKEL      ABUL = AGED BRASS UN-LACQUERED  
 PN = POLISHED NICKEL      PBUL = POLISHED BRASS UN-LACQUERED      ORB = OIL RUBBED BRONZE

PVD & OTHER FINISHES ARE AVAILABLE - please see page 90

**Options & Accessories:**  
Wall Brackets: non-standard (WB)



calculate shipping costs on pg. 100 & complete order form on pg. 98

Standard Wall Bracket included with all wall mount systems  
Custom Configurations are available - if you don't see what you want please call Palmer Customer Support

**Front View:** SET IN FIELD

**Side View:** UP TO 24" COUNTER, 1" offset, Optional Decorative Collars

shown with optional Decorative Collars

shown with Stone Forest Vintage 27 sink

Note: Wall Mount Systems Require Solid Wood Blocking in Wall

For sizes larger than shown, and/or custom configurations, please contact Palmer for a quote

**STEP #1: ESTABLISH BASE PRICE OF WALL MOUNT SYSTEM**  
select the finish to determine base price

DIA	MODEL	DESCRIPTION	PC - PN	SN	PBUL	ABUL - ORB
1.0"	WMAC	WALL MOUNT SYS APEX w/ COLLARS	\$1,635	\$1,930	\$1,799	\$2,126
1.0"	WMA	WALL MOUNT SYS APEX NO COLLARS	\$1,500	\$1,770	\$1,650	\$1,950

PC = POLISHED CHROME      SN = SATIN NICKEL      ABUL = AGED BRASS UN-LACQUERED  
 PN = POLISHED NICKEL      PBUL = POLISHED BRASS UN-LACQUERED      ORB = OIL RUBBED BRONZE

PVD & OTHER FINISHES ARE AVAILABLE - please see page 90

**Options & Accessories:**  
Wall Brackets: non-standard (WB)



calculate shipping costs on pg. 100 & complete order form on pg. 98

Standard Wall Bracket included with all wall mount systems  
Custom Configurations are available - if you don't see what you want please call Palmer Customer Support

Styles

Classic Collection

	Images	Pricing
T Tapered Foot	11	42
C Decorative Collar	12	46
BL Ball Foot	13	50
B Bun Foot	14	54

Traditional Collection

E Essex	15	58
W Westport	16	60
CAP Capital	17	62
K Kingston	18	64
V Victorian	19	66
REN Renaissance	20	67
P Providence	21	68
N Newport	21a	69a

Modern Collection

S Studio	22	70
M Minimal	23	74
MET Metro	24	76
MOD Modern	25	80
SQ Square	26	82
L Linear	27	84
J Jamestown	28	85

Wall Mount Collection

REG Regency	29	86
A Apex	30	87

Finishes, Options & Accessories

Finishes & Materials	32	90
Shelving & Supports	34	92
Options & Accessories	36	94

Appendices

Order Forms	98
Packing & Shipping	100
Policies & Procedures	101
China Sinks	103
Anatomy of a Leg System	104
Tubing Diameter Reference	105

# FINISHES OPTIONS & ACCESSORIES

finishing touches



Tapered Foot in Acrylic



R-102717  
R-102717



*Styles*

*Classic Collection*

	Images	Pricing
<b>T</b> Tapered Foot	11	42
<b>C</b> Decorative Collar	12	46
<b>BL</b> Ball Foot	13	50
<b>B</b> Bun Foot	14	54

*Traditional Collection*

<b>E</b> Essex	15	58
<b>W</b> Westport	16	60
<b>CAP</b> Capital	17	62
<b>K</b> Kingston	18	64
<b>V</b> Victorian	19	66
<b>REN</b> Renaissance	20	67
<b>P</b> Providence	21	68
<b>N</b> Newport	21a	69a

*Modern Collection*

<b>S</b> Studio	22	70
<b>M</b> Minimal	23	74
<b>MET</b> Metro	24	76
<b>MOD</b> Modern	25	80
<b>SQ</b> Square	26	82
<b>L</b> Linear	27	84
<b>J</b> Jamestown	28	85

*Wall Mount Collection*

<b>REG</b> Regency	29	86
<b>A</b> Apex	30	87

*Finishes, Options & Accessories*

Finishes & Materials	32	90
Shelving & Supports	34	92
Options & Accessories	36	94

*Appendices*

Order Forms	98
Packing & Shipping	100
Policies & Procedures	101
China Sinks	103
Anatomy of a Leg System	104
Tubing Diameter Reference	105



Victorian

FINISHING TOUCHES  
TO COMPLETE YOUR UNIQUE VISION



### THE PLATED FINISHES...

LUXURIOUS LUSTER  
OR SATIN SHEEN

Our chrome and nickel plated finishes are architectural grade, consistent with the quality of premium decorative plumbing fixtures. These plated finishes are not lacquered and the nickel finishes may require occasional cleaning.



Polished Chrome (PC)



Polished Nickel (PN)



Satin Nickel (SN)

### INTRODUCING...

POWDER COAT  
BLACK FINISH



Powder Coat Semi-Matte Black\* (MB)



Polished Brass Un-Lacquered (PBUL)



Aged Brass Un-Lacquered (ABUL)



Oil Rubbed Bronze (ORB)

### THE LIVING FINISHES...

AGING WITH BEAUTY, GRACE,  
AND A RICH PATINA

The living finishes offer an ever-changing patina, as their tone and luster will gracefully age with time and unique environmental conditions. These hand-crafted artisanal finishes are subject to variations in lightness and color.



### THE PVD FINISHES...

DURABLE, COLORFUL,  
AND TARNISH-FREE  
FINISHING TECHNOLOGY

The PVD finishes (Physical Vapor Deposition) incorporate a coating of specialized metal that provides a durable, tarnish-free, and lasting color tone.

\*Contact Palmer for pricing & delivery of PVD and Powder Coat finishes.



Polished Brass PVD\* (PBPVD)



Satin Brass PVD\* (SBPVD)



Polished Gold PVD\* (PGPVD)



Satin Gold PVD\* (SGPVD)



R-102717

R-102717

Choose the shelving, options, and accessories on the following pages to complete your Palmer washstand.

All Palmer styles with corresponding style codes are listed below.

Select only options with the code that matches your leg style.

#### Classic Collection

- T** Tapered Foot
- C** Decorative Collar
- BL** Ball Foot
- B** Bun Foot

#### Traditional Collection

- E** Essex
- W** Westport
- CAP** Capital
- K** Kingston
- V** Victorian
- REN** Renaissance
- P** Providence

#### Modern Collection

- S** Studio
- M** Minimal
- MET** Metro
- MOD** Modern
- SQ** Square
- L** Linear
- J** Jamestown

#### Wall Mount Collection

- REG** Regency
- A** Apex

**ALL STYLES**

Compatible with all styles

Refer to page 100 for Shipping Charges

Refer to page 98 for Order Forms

Styles	Images	Pricing
<i>Classic Collection</i>		
<b>T</b> Tapered Foot	11	42
<b>C</b> Decorative Collar	12	46
<b>BL</b> Ball Foot	13	50
<b>B</b> Bun Foot	14	54
<i>Traditional Collection</i>		
<b>E</b> Essex	15	58
<b>W</b> Westport	16	60
<b>CAP</b> Capital	17	62
<b>K</b> Kingston	18	64
<b>V</b> Victorian	19	66
<b>REN</b> Renaissance	20	67
<b>P</b> Providence	21	68
<b>N</b> Newport	21a	69a
<i>Modern Collection</i>		
<b>S</b> Studio	22	70
<b>M</b> Minimal	23	74
<b>MET</b> Metro	24	76
<b>MOD</b> Modern	25	80
<b>SQ</b> Square	26	82
<b>L</b> Linear	27	84
<b>J</b> Jamestown	28	85
<i>Wall Mount Collection</i>		
<b>REG</b> Regency	29	86
<b>A</b> Apex	30	87

#### Finishes, Options & Accessories

Finishes & Materials	32	90
Shelving & Supports	34	92
Options & Accessories	36	94

#### Appendices

Order Forms	98
Packing & Shipping	100
Policies & Procedures	101
China Sinks	103
Anatomy of a Leg System	104
Tubing Diameter Reference	105



# SHELF OPTIONS

## HOTEL STYLE SHELF



for larger image, see page 35

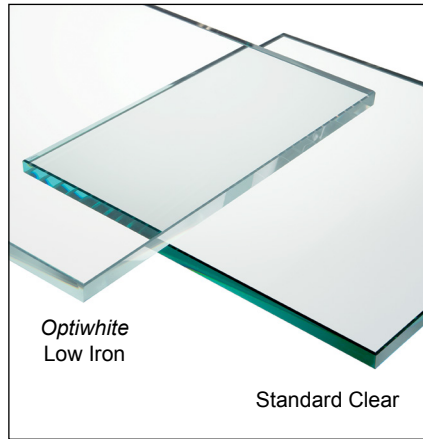
• TUBULAR METAL CONSTRUCTION WITH EUROPEAN-STYLE FLAIR requires a shelf support: Choose Rail or Low Profile

LEGS	MODEL	COUNTER WIDTH	PC - PN	SN	PBUL	ABUL - ORB
2-LEG - or - 4-LEG	TS2 - or - TS4	UP TO 30"	\$625	\$657	\$820	\$975
		UP TO 36"	\$650	\$683	\$925	\$1,125
2-LEG - or - 4-LEG	TS2 - or - TS4	UP TO 42"	\$750	\$788	\$1,060	\$1,275
		UP TO 48"	\$1,025	\$1,077	\$1,342	\$1,592
		UP TO 60"	\$1,275	\$1,339	\$1,603	\$1,892

LEGS	MODEL	COUNTER WIDTH	PC - PN	SN	PBUL	ABUL - ORB
3-LEG - or - 5-LEG	TS3 - or - TS5	UP TO 60"	\$1,325	\$1,392	\$1,765	\$1,994
		UP TO 72"	\$1,425	\$1,497	\$1,893	\$2,282
3-LEG - or - 5-LEG	TS3 - or - TS5	UP TO 78"	\$1,475	\$1,549	\$2,024	\$2,432
		UP TO 84"	\$1,921	\$2,018	\$2,466	\$2,915
		UP TO 90"	\$1,974	\$2,073	\$2,596	\$3,065

for use with: **ALL STYLES** Shelves are NOT field cuttable

## GLASS SHELF



for larger image, see page 34

• 1/2" THICK • FLAT-POLISHED ON ALL EDGES • TEMPERED requires a shelf support: Choose Rail, Low Profile, or Glass Clip

LEGS	MODEL	COUNTER WIDTH	STANDARD CLEAR (-SC)	OPTIWHITE LOW IRON (-LI)
2-LEG - or - 4-LEG	GS2 - or - GS4	UP TO 30"	\$447	\$668
		UP TO 36"	\$516	\$785
2-LEG - or - 4-LEG	GS2 - or - GS4	UP TO 42"	\$585	\$902
		UP TO 48"	\$655	\$1,019
		UP TO 60"	\$794	\$1,252

LEGS	MODEL	COUNTER WIDTH	STANDARD CLEAR (-SC)	OPTIWHITE LOW IRON (-LI)
3-LEG - or - 5-LEG	GS3 - or - GS5	UP TO 60"	\$794	\$1,252
		UP TO 72"	\$1,139	\$1,677
3-LEG - or - 5-LEG	GS3 - or - GS5	UP TO 78"	\$1,185	\$1,755
		UP TO 84"	\$1,277	\$1,911
		UP TO 90"	\$1,325	\$1,989

for use with: **ALL STYLES** Shelves are NOT field cuttable

## TEAK WOOD SHELF



for larger image, see page 35

• WARM TEXTURE AND COLOR WITH A SPA-LIKE FEEL requires a shelf support: Choose Rail or Low Profile

LEGS	MODEL	COUNTER WIDTH	RUBBED OIL FINISH
2-LEG - or - 4-LEG	WS2 - or - WS4	UP TO 30"	\$661
		UP TO 36"	\$795
2-LEG - or - 4-LEG	WS2 - or - WS4	UP TO 42"	\$928
		UP TO 48"	\$1,061
		UP TO 60"	\$1,328

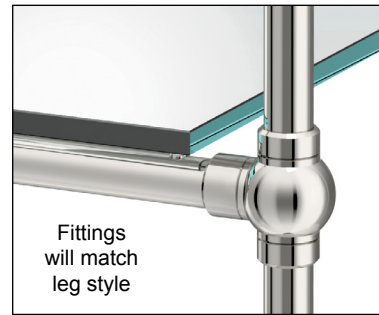
LEGS	MODEL	COUNTER WIDTH	RUBBED OIL FINISH
3-LEG - or - 5-LEG	WS3 - or - WS5	UP TO 60"	\$1,374
		UP TO 72"	\$1,641
3-LEG - or - 5-LEG	WS3 - or - WS5	UP TO 78"	\$1,774
		UP TO 84"	\$1,907
		UP TO 90"	\$2,041

for use with: **ALL STYLES** Shelves are NOT field cuttable

# SHELF SUPPORT OPTIONS



## RAIL SUPPORT



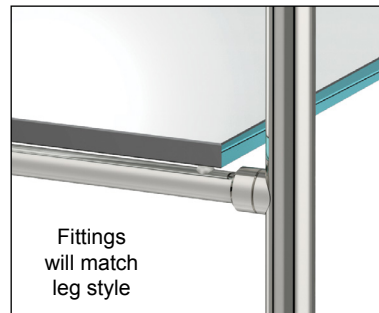
for larger image, see page 34

• TUBULAR SUPPORT OF SAME DIAMETER AS LEGS, WITH TEE JOINT for use with: • hotel style shelf • glass shelf • teak wood shelf • stone shelf

LEGS	MODEL / DIA		PC / PN		SN		PBUL		ABUL / ORB	
	1.5"	1.0"	1.5"	1.0"	1.5"	1.0"	1.5"	1.0"	1.5"	1.0"
2-LEG	SS2R	SS21R	\$557	\$398	\$658	\$470	\$613	\$438	\$725	\$518
3-LEG	SS3R	SS31R	\$835	\$597	\$986	\$705	\$919	\$657	\$1,086	\$777
4-LEG	SS4R	SS41R	\$752	\$517	\$888	\$611	\$828	\$569	\$978	\$673
5-LEG	SS5R	SS51R	\$1,030	\$716	\$1,216	\$845	\$1,133	\$788	\$1,339	\$931

for use with: **T C BL B S MOD J**

## LOW PROFILE SUPPORT



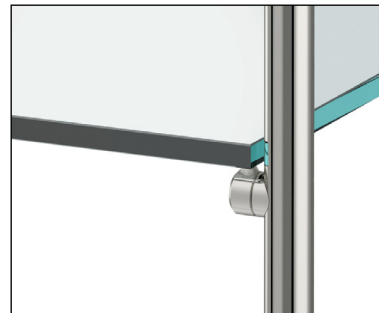
for larger image, see page 34

• TUBULAR SUPPORT OF SMALLER DIAMETER THAN LEGS, NO TEE JOINT for use with: • hotel style shelf • glass shelf • teak wood shelf • stone shelf • cannot be used with acrylic leg option

LEGS	MODEL	PC / PN	SN	PBUL	ABUL / ORB
2-LEG	SS2LP	\$460	\$543	\$506	\$598
3-LEG	SS3LP	\$689	\$814	\$758	\$896
4-LEG	SS4LP	\$478	\$565	\$526	\$622
5-LEG	SS5LP	\$708	\$836	\$779	\$921

for use with: **T C BL B E W CAP K P S M MET MOD SQ J**

## GLASS CLIP SUPPORT



for larger image, see page 35

• SHELF RESTS ON FITTED CLIPS AT REAR OF LEG, AND WALL BRACKET for use with: • glass shelf • stone shelf • cannot be used with acrylic leg option

LEGS	MODEL	PC / PN	SN	PBUL	ABUL / ORB
2-LEG	SS2GC	\$298	\$352	\$328	\$388
3-LEG	SS3GC	\$410	\$484	\$451	\$533
4-LEG	SS4GC	\$298	\$352	\$328	\$388
5-LEG	SS5GC	\$473	\$559	\$521	\$615

for use with: **T C BL B E W CAP K P S M MET MOD SQ J**

## SPLIT COLLAR SUPPORT



for larger image, see page 35

• LEGS PASS THROUGH STONE, WITH COLLARS PROVIDING SUPPORT for use with: • stone shelf

LEGS	MODEL	PC / PN	SN	PBUL	ABUL / ORB
2-LEG	SS2SC	\$417	\$493	\$459	\$543
3-LEG	SS3SC	\$644	\$760	\$709	\$838
4-LEG	SS4SC	\$601	\$710	\$662	\$782
5-LEG	SS5SC	\$943	\$1,113	\$1,038	\$1,226

for use with: **T C BL B W CAP S MET MOD J**

# Table of Contents

click on a page # to navigate

## Styles

### Classic Collection

Style	Images	Pricing
<b>T</b> Tapered Foot	11	42
<b>C</b> Decorative Collar	12	46
<b>BL</b> Ball Foot	13	50
<b>B</b> Bun Foot	14	54

### Traditional Collection

<b>E</b> Essex	15	58
<b>W</b> Westport	16	60
<b>CAP</b> Capital	17	62
<b>K</b> Kingston	18	64
<b>V</b> Victorian	19	66
<b>REN</b> Renaissance	20	67
<b>P</b> Providence	21	68
<b>N</b> Newport	21a	69a

### Modern Collection

<b>S</b> Studio	22	70
<b>M</b> Minimal	23	74
<b>MET</b> Metro	24	76
<b>MOD</b> Modern	25	80
<b>SQ</b> Square	26	82
<b>L</b> Linear	27	84
<b>J</b> Jamestown	28	85

### Wall Mount Collection

<b>REG</b> Regency	29	86
<b>A</b> Apex	30	87

### Finishes, Options & Accessories

Finishes & Materials	32	90
Shelving & Supports	34	92
Options & Accessories	36	94

### Appendices

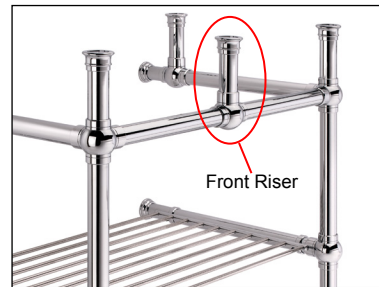
Order Forms	98
Packing & Shipping	100
Policies & Procedures	101
China Sinks	103
Anatomy of a Leg System	104
Tubing Diameter Reference	105

MORE OPTIONS ON NEXT PAGE





**FRONT RISER**



for larger image, see page 36

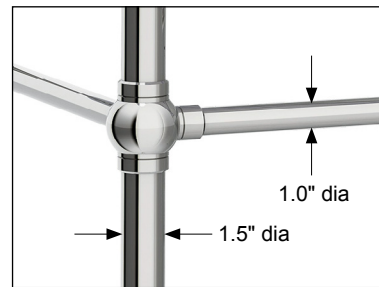
**ADDITIONAL FRONT COUNTER SUPPORT**

- available 1.5" diameter only • not available for acrylic crossbar
- front riser(s) should be considered for counters 48" or wider (2-Leg/4-Leg)
- consult your counter supplier regarding support requirements
- front riser will not prevent all flexing of counter if excessive force is applied

DESCRIPTION	MODEL	PC - PN	SN	PBUL	ABUL - ORB
FRONT RISER	FR	\$225 ea	\$266 ea	\$248 ea	\$293 ea

for use with: **T C BL B S** 1.5" Diameter Tubing ONLY

**SPLIT DIAMETER**



for larger image, see page 13

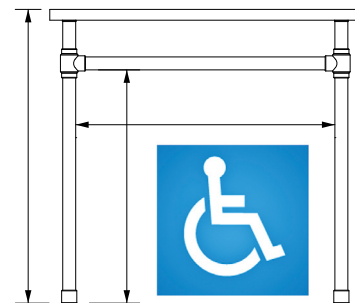
**1.5" DIAMETER LEGS WITH 1.0" DIAMETER CROSSBARS**

- combination of two tubing diameters
- provides dimensional contrast and design interest

DESCRIPTION	MODEL	PC - PN	SN	PBUL	ABUL - ORB
SPLIT DIAMETER: 1.5" DIA LEGS WITH 1.0" DIA CROSSBARS	SD	USE PRICE OF 1.5" DIAMETER LEG SYSTEM			

for use with: **T C BL B S**

**ADA**



**ADA COMPLIANT SIZING:**

washstand conforms to **Americans with Disabilities Act** dimensions

- customization charge reflects minimum washstand dimensions required to meet ADA specifications

DESCRIPTION	MODEL	PC - PN	SN	PBUL	ABUL - ORB
ADA CUSTOMIZATION	ADA	\$275 any finish			

for use with: **T C BL B E W CAP K S M MET MOD SQ L**

**CURVED CROSSBAR**



for larger image, see page 20

**CURVED CROSSBAR CONFORMS TO RADIUS SHAPE OF COUNTER**

- provides design flair • washstand cannot be field cut for width

DESCRIPTION	MODEL	PC - PN	SN	PBUL	ABUL - ORB
CURVED CROSSBAR	CURV	CONTACT PALMER FOR QUOTE			

for use with: **T C BL B E W K S M MET MOD**

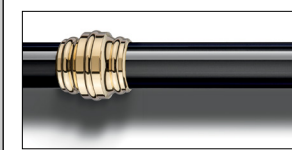
**ACRYLIC ROD**



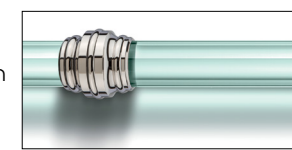
for larger image, see page 89

**SUBSTITUTE ACRYLIC ROD FOR LEGS AND/OR HORIZONTAL TUBING**

- crystal clear • non-aging • 1.5" diameter only • washstand cannot be field cut for width



also available in:  
Solid Black & Seafoam Green  
contact Palmer for pricing



LEGS	PERMA-CLEAR ACRYLIC HORIZONTALS MODEL: ACRH	PERMA-CLEAR ACRYLIC LEGS MODEL: ACRL	PERMA-CLEAR ACRYLIC HORIZONTALS, LEGS, & RISERS MODEL: ACRHL
1-LEG	N.A.	ADD \$55	N.A.
2-LEG	ADD \$110	ADD \$110	ADD \$220
3-LEG	ADD \$190	ADD \$165	ADD \$355
4-LEG	ADD \$110	ADD \$220	ADD \$330
5-LEG	ADD \$190	ADD \$275	ADD \$465

for use with: **T C BL B S** 1.5" Diameter ONLY

**REEDED TUBING**



for larger image, see page 33

**SUBSTITUTE REEDED TUBING FOR LEGS AND/OR HORIZONTAL TUBING**

- unique ribbed detail
- classic furniture design element

DESCRIPTION	MODEL	PC - PN	SN	PBUL	ABUL - ORB
REEDED HORIZONTALS	RTH	CONTACT PALMER FOR QUOTE			
REEDED LEGS	RTL				
REEDED HORIZONTALS, LEGS, AND RISERS	RTHL				

for use with: **T C BL B E W CAP K REN**

**HAMMERED BALL**



for larger image, see page 37

**BALL IS HAND-TOOLED WITH HAMMERED FACETS**

- hammered ball provides stylish texture and pleasing light reflections
- each ball is hand-tooled by a skilled artisan
- available for 1.5" and 1.0" diameter tubing

DESCRIPTION	MODEL	PC - PN	SN	PBUL	ABUL - ORB
HAMMERED BALL	HB	\$235 ADDITIONAL PER FITTING (1 PIECE)			

for use with: **T C BL B K V REN MOD**

*Styles*

*Classic Collection*

	Images	Pricing
<b>T</b> Tapered Foot	11	42
<b>C</b> Decorative Collar	12	46
<b>BL</b> Ball Foot	13	50
<b>B</b> Bun Foot	14	54

*Traditional Collection*

<b>E</b> Essex	15	58
<b>W</b> Westport	16	60
<b>CAP</b> Capital	17	62
<b>K</b> Kingston	18	64
<b>V</b> Victorian	19	66
<b>REN</b> Renaissance	20	67
<b>P</b> Providence	21	68
<b>N</b> Newport	21a	69a

*Modern Collection*

<b>S</b> Studio	22	70
<b>M</b> Minimal	23	74
<b>MET</b> Metro	24	76
<b>MOD</b> Modern	25	80
<b>SQ</b> Square	26	82
<b>L</b> Linear	27	84
<b>J</b> Jamestown	28	85

*Wall Mount Collection*

<b>REG</b> Regency	29	86
<b>A</b> Apex	30	87

*Finishes, Options & Accessories*

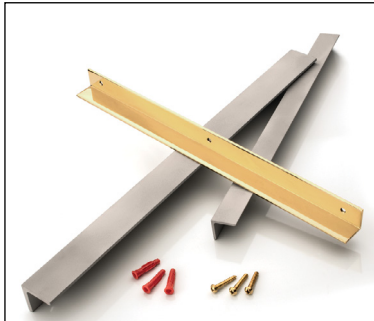
Finishes & Materials	32	90
Shelving & Supports	34	92
Options & Accessories	36	94

*Appendices*

Order Forms	98
Packing & Shipping	100
Policies & Procedures	101
China Sinks	103
Anatomy of a Leg System	104
Tubing Diameter Reference	105



WALL BRACKET



DIMENSIONS: Standard: 1.25" x 1.25" x 0.125" Heavy Weight: 1.75" x 1.75" x 0.25"

Length provided to suit counter width Screws & wall anchors included

for larger image, see page 36

SUPPORTS COUNTER AT WALL • REQUIRED FOR ALL INSTALLATIONS

- standard wall bracket(s) included at no charge with all washstands
• heavy weight wall bracket recommended for counters 150 Lb or more
• mounts to underside of counter at wall, not visible from a standing position

Table with 3 columns: DESCRIPTION, MODEL, MATTE ALUMINUM. Rows include WALL BRACKET ALUMINUM STANDARD WEIGHT and HEAVY WEIGHT.

Table with 4 columns: DESCRIPTION, MODEL, PC - PN - SN, PBUL - ABUL - ORB. Row includes WALL BRACKET SOLID BRASS STANDARD WEIGHT.

for use with: ALL STYLES

TOWEL RAIL



for larger image, see page 37

AUXILIARY TOWEL RAIL

- provides more accessibility for the hanging of towels
• cannot be used with acrylic horizontal crossbar option
• specify: TRL for left-side mount
• specify: TRR for right-side mount

Table with 6 columns: DESCRIPTION, MODEL, PC - PN, SN, PBUL, ABUL - ORB. Row includes TOWEL RAIL.

for use with: T C BL B E W CAP K REN P S M MET MOD SQ J

TP HOLDER



for larger image, see page 37

SIDE MOUNTED TOILET PAPER HOLDER

- cannot be used with acrylic horizontal crossbar option
• specify: TPL for left-side mount
• specify: TPR for right-side mount

Table with 6 columns: DESCRIPTION, MODEL, PC - PN, SN, PBUL, ABUL - ORB. Row includes TP HOLDER.

for use with: T C BL B E W CAP K REN P S M MET MOD SQ J



ORDER FORMS & SHIPPING

customer support



Decorative Collar



Table of Contents

Table with columns: Styles, Images, Pricing. Lists Classic Collection, Traditional Collection, Modern Collection, and Wall Mount Collection items.

Finishes, Options & Accessories

Table with 3 columns: Item Name, Images, Pricing. Lists Finishes & Materials, Shelving & Supports, Options & Accessories.

Appendices

Table with 3 columns: Item Name, Images, Pricing. Lists Order Forms, Packing & Shipping, Policies & Procedures, China Sinks, Anatomy of a Leg System, Tubing Diameter Reference.

Calculate Packing & Shipping on pg 100 - Complete Order Form on page 98

This Order Form can be filled out online at sinklegs.com

800-398-9676 / 401-421-1730

M-F 9-5 EST

email: [orders@palmerindustries.com](mailto:orders@palmerindustries.com)

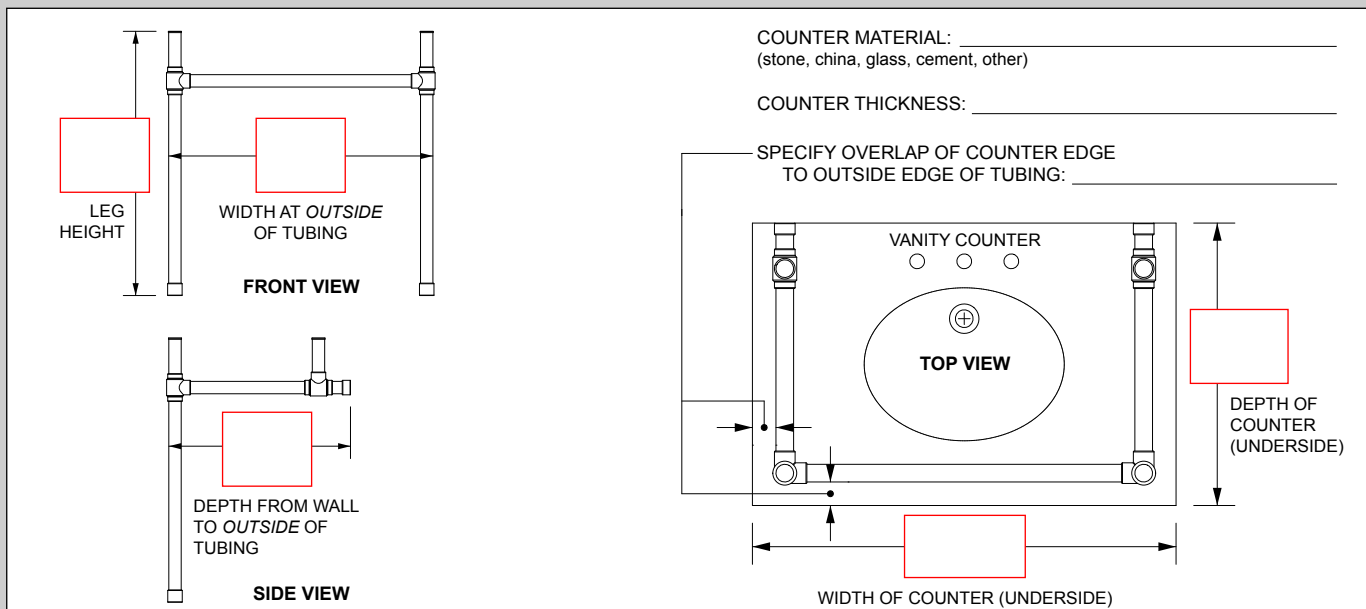
Dealer: \_\_\_\_\_ Date: \_\_\_\_\_  
 Purchase Order #: \_\_\_\_\_ **Model #:** \_\_\_\_\_  
 Contact Person (for questions about this order): \_\_\_\_\_  
 Phone: \_\_\_\_\_ email: \_\_\_\_\_  
 Notes: \_\_\_\_\_

**SELECT FINISH**

PC - Polished Chrome     PN - Polished Nickel     SN - Satin Nickel  
 PBUL - Polished Brass Un-Lacquered     ABUL - Aged Brass Un-Lacquered     ORB - Oil Rubbed Bronze  
 OTHER - Specify: \_\_\_\_\_

**OPTIONS & ACCESSORIES**

**TOWEL SHELF:**  Tubular Metal: **TS**     Standard Glass: **GS-SC**     Low-Iron Glass: **GS-LI**     Teak Wood: **WS**  
**SHELF SUPPORTS:**  Rail: **SS\_R**     Low Profile: **SS\_LP**     Glass Clip: **SS\_GC**     Split Collar: **SS\_SC**  
**FRONT RISER:**  **FR** (1 riser - centered)     **FR** (2 risers)  
**SPLIT DIAMETER:**  **SD**  
**ADA:**  **ADA**  
**CURVED CROSSBAR:**  **CURV**  
**CLEAR ACRYLIC ROD:**  Horizontals Only: **ACRH**     Legs Only: **ACRL**     Horizontals, Legs, & Risers: **ACRHL**  
**REEDED TUBING:**  Horizontals Only: **RTH**     Legs Only: **RTL**     Horizontals, Legs, & Risers: **RTHL**  
**HAMMERED BALLS:**  **HB** - Special Instructions: \_\_\_\_\_  
**WALL BRACKET:**  Heavy Duty Aluminum: **WBHVY**     Solid Brass Finished: **WBSTDB** (standard aluminum wall bracket included with all leg systems)  
**AUX TOWEL RAIL:**  Left Side: **TRL**     Right Side: **TRR**  
**TP HOLDER:**  Left Side: **TPL**     Right Side: **TPR**



**RUSH SERVICE REQUESTED:** please contact Palmer for Rush Service surcharges and policies

Signature: \_\_\_\_\_ Date: \_\_\_\_\_

This Order Form can be filled out online at sinklegs.com

800-398-9676 / 401-421-1730

M-F 9-5 EST

email: [orders@palmerindustries.com](mailto:orders@palmerindustries.com)

Dealer: \_\_\_\_\_ Date: \_\_\_\_\_  
 Purchase Order #: \_\_\_\_\_  
 Contact Person (for questions about this order): \_\_\_\_\_  
 Phone: \_\_\_\_\_ email: \_\_\_\_\_  
 Notes: \_\_\_\_\_

**IMPORTANT: THE PALMER MODEL NUMBERS AND RETAIL PRICES INDICATED BELOW REFLECT ONLY THE STYLES CURRENTLY SHOWN IN THE STONE FOREST CATALOG. NOTE: ANY PALMER WASHSTAND CAN BE SPECIFIED FOR USE WITH ANY STONE FOREST SINK: PLEASE CONTACT PALMER FOR PRICING OF ANY OTHER CONFIGURATION.**

**RETAIL PRICES EFFECTIVE SEPTEMBER 1, 2017**

NOTE: All pricing includes appropriate wall brackets and size customization fees

	Stone Forest	Palmer	Palmer Style	PC & PN	SN	PBUL	ABUL & ORB
<input type="checkbox"/>	C75 BORDEAUX 36.5"	LS2CSFB	DECORATIVE COLLAR	\$2,161	\$2,753	\$2,359	\$2,753
<input type="checkbox"/>	C75MD MED BORDEAUX 27"	LS2CSFMD	DECORATIVE COLLAR	\$2,161	\$2,753	\$2,359	\$2,753
<input type="checkbox"/>	C90-36SK VINTAGE 36"	LS2ESFV36	ESSEX	\$2,502	\$3,174	\$2,726	\$3,174
<input type="checkbox"/>	C90-27SK VINTAGE 27"	LS2ESFV27	ESSEX	\$2,417	\$3,089	\$2,641	\$3,089
<input type="checkbox"/>	C90-27SK VINTAGE 27"	LS2CAPSFV27	CAPITAL	\$3,160	\$4,054	\$3,458	\$4,054
<input type="checkbox"/>	C90-27SK VINTAGE WALL 27"	WMASFV27	APEX	\$1,500	\$1,950	\$1,650	\$1,950
<input type="checkbox"/>	C98-36 CORTINA 36"	LS2MSFCR	MINIMAL	\$2,417	\$3,089	\$2,641	\$3,089
<input type="checkbox"/>	C92-42 RENAISSANCE 42"	LS41REN	RENAISSANCE	\$3,685	\$4,791	\$4,054	\$4,791
<input type="checkbox"/>	C92-WL30 PETITE REN 2 LEG 30"	LS21REN	RENAISSANCE	\$2,627	\$3,416	\$2,890	\$3,416
<input type="checkbox"/>	C92-WL30 PETITE REN WALL 30"	WMREG	REGENCY	\$3,265	\$3,265	\$3,265	\$3,265
<input type="checkbox"/>	C94-24 HARBOR 24"	LS2JSFH	JAMESTOWN	\$2,448	\$3,183	\$2,693	\$3,183

NOTE: ALL STONE FOREST COUNTERS FINISH AT 36" HIGH

**SELECT FINISH**

PC - Polished Chrome     PN - Polished Nickel     SN - Satin Nickel  
 PBUL - Polished Brass Un-Lacquered     ABUL - Aged Brass Un-Lacquered     ORB - Oil Rubbed Bronze  
 OTHER - Specify: \_\_\_\_\_

**OPTIONS & ACCESSORIES**

**TOWEL SHELF:**  Tubular Metal: **TS**     Standard Glass: **GS-SC**     Low-Iron Glass: **GS-LI**     Teak Wood: **WS**  
**SHELF SUPPORTS:**  Rail: **SS\_R**     Low Profile: **SS\_LP**     Glass Clip: **SS\_GC**     Split Collar: **SS\_SC**  
**CLEAR ACRYLIC ROD:**  Horizontals Only: **ACRH**     Legs Only: **ACRL**     Horizontals, Legs, & Risers: **ACRHL**  
**REEDED TUBING:**  Horizontals Only: **RTH**     Legs Only: **RTL**     Horizontals, Legs, & Risers: **RTHL**  
**HAMMERED BALLS:**  **HB** - Special Instructions: \_\_\_\_\_  
**AUX TOWEL RAIL:**  Left Side: **TRL**     Right Side: **TRR**  
**TP HOLDER:**  Left Side: **TPL**     Right Side: **TPR**

**RUSH SERVICE REQUESTED:** please contact Palmer for Rush Service surcharges and policies

Signature: \_\_\_\_\_ Date: \_\_\_\_\_

**Styles**

*Classic Collection*

	Images	Pricing
<b>T</b> Tapered Foot	11	42
<b>C</b> Decorative Collar	12	46
<b>BL</b> Ball Foot	13	50
<b>B</b> Bun Foot	14	54

*Traditional Collection*

<b>E</b> Essex	15	58
<b>W</b> Westport	16	60
<b>CAP</b> Capital	17	62
<b>K</b> Kingston	18	64
<b>V</b> Victorian	19	66
<b>REN</b> Renaissance	20	67
<b>P</b> Providence	21	68
<b>N</b> Newport	21a	69a

*Modern Collection*

<b>S</b> Studio	22	70
<b>M</b> Minimal	23	74
<b>MET</b> Metro	24	76
<b>MOD</b> Modern	25	80
<b>SQ</b> Square	26	82
<b>L</b> Linear	27	84
<b>J</b> Jamestown	28	85

*Wall Mount Collection*

<b>REG</b> Regency	29	86
<b>A</b> Apex	30	87

**Finishes, Options & Accessories**

Finishes & Materials	32	90
Shelving & Supports	34	92
Options & Accessories	36	94

**Appendices**

Order Forms	98
Packing & Shipping	100
Policies & Procedures	101
China Sinks	103
Anatomy of a Leg System	104
Tubing Diameter Reference	105



R-102717

R-102717



## Estimated Packaging and Shipping Rates for USA and Canada

**PALMER SHIPS EXCLUSIVELY VIA UPS WITH OUR OWN ACCOUNT (FREIGHT PREPAID), AND WILL INVOICE THE DEALER FOR ALL PACKAGING AND SHIPPING COSTS, WITHOUT EXCEPTION. WE DO NOT SHIP USING A DEALER'S UPS ACCOUNT, OR ANY OTHER SHIPPING METHODS.**

- ESTIMATED PRICES INCLUDE ALL PACKAGING, BOXING, STANDARD GROUND UPS SHIPPING COSTS, AND INSURANCE, DELIVERING TO THE COMMERCIAL DEALER BUSINESS LOCATION.
- THE RATES BELOW ARE PROVIDED AS ESTIMATES ONLY, NOT FIRM QUOTES; RATES ARE SUBJECT TO CHANGE, AND MAY VARY DEPENDING ON FINAL SHIPPING WEIGHT AND PACKAGING DIMENSIONS.
- CONTACT PALMER FOR EXPEDITED SHIPPING RATES.
- DROP-SHIPPING DIRECTLY TO A RESIDENTIAL ADDRESS WILL INCUR ADDITIONAL DROP-SHIP FEES (SIGNATURE IS REQUIRED).
- PACKAGING AND SHIPPING COSTS FOR CUSTOM UNITS OF ANY KIND ARE BY QUOTE ONLY; DO NOT USE THE ESTIMATES BELOW.

• RATES REPRESENT DEALER NET COST •

LOCATE SHIPPING REGION BY STATE						
AL - B	GA - B	ME - A	NE - C	OH - B	TX - C	DC - A
AZ - C	ID - C	MD - A	NV - C	OK - C	UT - C	AK call
AR - B	IL - B	MA - A	NH - A	OR - C	VT - A	HI call
CA - C	IN - B	MI - B	NJ - A	PA - A	VA - A	
CO - C	IA - B	MN - B	NM - C	RI - A	WA - C	CANADA
CT - A	KS - C	MS - B	NY - A	SC - B	WV - A	
DE - A	KY - B	MO - B	NC - A	SD - C	WI - B	QC - D
FL - B	LA - B	MT - C	ND - C	TN - B	WY - C	ON - D

**NOTE: SHIPPING ESTIMATES TO CANADA DO NOT INCLUDE CUSTOMS, BROKERAGE, DUTY, OR TAXES. THESE ARE PAID BY THE RECEIVING DEALER DIRECTLY TO UPS.**

DETERMINE PACKAGING & SHIPPING NET COST BY MODEL, SIZE, & REGION				SHIPPING REGION			
	MODEL	DESCRIPTION	COUNTER WIDTH	A	B	C	D
Leg Systems	LS2	2-LEG SYSTEM	UP TO 48"	\$71	\$87	\$95	\$121
		2-LEG SYSTEM	UP TO 60"	\$125	\$140	\$148	\$169
	LS3	3-LEG SYSTEM	UP TO 72"	\$91	\$108	\$123	\$150
		4-LEG SYSTEM	UP TO 48"	\$89	\$106	\$120	\$147
	LS4	4-LEG SYSTEM	UP TO 60"	\$140	\$159	\$170	\$194
5-LEG SYSTEM		UP TO 72"	\$103	\$125	\$138	\$168	
Tubular Metal Shelves	TS2 or TS4	2 OR 4-LEG - TUBULAR METAL	UP TO 48"	\$72	\$84	\$93	\$112
		2 OR 4-LEG - TUBULAR METAL	UP TO 60"	\$135	\$152	\$163	\$184
	TS3 or TS5	3 OR 5-LEG - TUBULAR METAL	UP TO 72"	\$91	\$103	\$110	\$130
Glass Shelves	GS2 or GS4	2 OR 4-LEG - GLASS	UP TO 48"	\$74	\$89	\$100	\$127
		2 OR 4-LEG - GLASS	UP TO 60"	\$135	\$152	\$163	\$184
	GS3 or GS5	3 OR 5-LEG - GLASS	UP TO 72"	\$119	\$143	\$153	\$194
Teak Wood Shelves	WS2 or WS4	2 OR 4-LEG - TEAK WOOD	UP TO 48"	\$72	\$84	\$93	\$112
		2 OR 4-LEG - TEAK WOOD	UP TO 60"	\$135	\$152	\$163	\$184
	WS3 or WS5	3 OR 5-LEG - TEAK WOOD	UP TO 72"	\$91	\$103	\$110	\$130
Shelf Supports	SS	SHELF SUPPORTS	-	\$11	\$13	\$16	\$21
Wall Mounts	WM	WALL MOUNT SYSTEM	-	\$71	\$87	\$95	\$121



- Purchasing Policy:** Palmer is sold only through authorized Palmer distributors (dealer display requirements apply). Possession of this catalog does not constitute an authorization to sell Palmer products.
  - Terms:** Net 30 days upon established credit approval. Payment by business check preferred. Credit card payments and wire transfers may be allowed (Palmer must authorize), and will incur processing fees.
  - Minimum order:** There is no minimum order requirement.
  - Delivery and Freight:** Palmer reserves the right to select the final carrier of any shipment. Palmer ships via UPS with our own account (freight prepaid), and will invoice the dealer for all shipping costs, without exception. We do not ship using a dealer's UPS account, or any other shipping method. Each leg system is packaged individually, regardless of total order quantity (unless otherwise specified on high-volume projects). A delivery charge will be assessed to each leg system, and shall consist of the total of all packaging, boxing, standard ground UPS shipping costs, and insurance. There is no pickup available. Drop-Ship orders will incur additional shipping costs, and a signature will be required at the time of delivery.
  - Claims and Returns:** Any claims for damages, shortages, and incorrect merchandise must be reported to Palmer within 10 days of delivery. Please confirm all washstand specifications and dimensions prior to installation. Palmer is not responsible for labor associated with the replacement of incorrect product.
- Palmer consoles and shelves are all fabricated to order, and as such, are NON-RETURNABLE and NON-CANCELLABLE under any conditions. Palmer Drawing and Design fees are NON-CANCELLABLE and NON-REFUNDABLE.
- Warranty:** Palmer warrants the leg system against any mechanical failure of parts for the life of the product when properly installed and used for the intended purpose only. This warranty covers parts only; labor is not included. Chrome, Nickel, and PVD finishes carry a one-year warranty. Custom finishes and living finishes such as Un-Lacquered Brass, Oil-Rubbed Bronze, and Raw Brass are not warranted. Palmer custom and living finishes are hand applied, and as such, are subject to natural variations in color and texture consistent with related products in the market. Different components, such as tubing and fittings, are likely to have slightly different color tone due to their unique metal composition and the high degree of hand craftsmanship involved with the finishing process. Our legs are superbly finished, but they are not jewelry. When "defects" occur, they should be viewed at approximately the same angle and distance that you would view the stand when installed: i.e., the leg is on the floor and you are standing. If the defect is visible at that vantage point, it may be considered a legitimate reject; if not, it is considered to be within industry standards for bathroom furniture. The same standards would not apply to a faucet, for example, since it is viewed at eye level and must be "perfect".

### Styles

	Images	Pricing
<i>Classic Collection</i>		
<b>T</b> Tapered Foot	11	42
<b>C</b> Decorative Collar	12	46
<b>BL</b> Ball Foot	13	50
<b>B</b> Bun Foot	14	54
<i>Traditional Collection</i>		
<b>E</b> Essex	15	58
<b>W</b> Westport	16	60
<b>CAP</b> Capital	17	62
<b>K</b> Kingston	18	64
<b>V</b> Victorian	19	66
<b>REN</b> Renaissance	20	67
<b>P</b> Providence	21	68
<b>N</b> Newport	21a	69a
<i>Modern Collection</i>		
<b>S</b> Studio	22	70
<b>M</b> Minimal	23	74
<b>MET</b> Metro	24	76
<b>MOD</b> Modern	25	80
<b>SQ</b> Square	26	82
<b>L</b> Linear	27	84
<b>J</b> Jamestown	28	85
<i>Wall Mount Collection</i>		
<b>REG</b> Regency	29	86
<b>A</b> Apex	30	87

### Finishes, Options & Accessories

Finishes & Materials	32	90
Shelving & Supports	34	92
Options & Accessories	36	94

### Appendices

Order Forms	98
Packing & Shipping	100
Policies & Procedures	101
China Sinks	103
Anatomy of a Leg System	104
Tubing Diameter Reference	105

R-102717  
R-102717



7. **Internet Selling Policy:** Palmer does not allow the selling of our products via the Internet. Palmer products are to be marketed and sold within the dealer's service area only. If Palmer products are presented on a dealer's website, images and associated copy used must satisfy our specific guidelines. Palmer must be contacted for approval prior to any images or information being posted on a dealer's website.
8. **M.A.P. Policy:** Advertised prices of products may not appear at a discount of greater than twenty-five percent (25%) below Palmer's current retail price. For repeated violations, Palmer may suspend or terminate the Reseller's authorization to sell Palmer products. It is our view that the advertising of steep price discounts devalues our products, brand, and dealers.
9. **Rush Service:** Palmer offers a Rush Service to our dealers, at an additional charge. This charge will be assessed upon evaluation of the order complexity, customization, quantity, options, and finish. Rush service and charges must be indicated on the dealer's purchase order, and a Palmer Order Form, with the Rush option selected, must be submitted with the order.
10. **Drawing/Design Services:** Palmer offers complete drawing and design services for custom units. (All our standard model specifications and drawings can be found on our website.) A drawing/design fee will be assessed upon evaluation of the project and the requirements of the specifier. Drawings can be provided in PDF or DXF format. Drawings and subsequent signed drawing approvals are mandatory for any projects falling outside our standard product offering (style and configuration). Drawing and design fees are NON-CANCELLABLE and NON-REFUNDABLE.
11. **Ordering Procedure:** A Palmer Order Form must be submitted with every custom-size order, Rush order, orders with any options or modifications, and orders including any Palmer shelf. The submittal of the Order Form is mandatory, and will expedite the order.
12. **Disclaimer:** The information contained within this catalog is intended to provide information about products and services available for purchase from Palmer Industries, Inc. ("Palmer"). All reasonable efforts have been made to ensure the accuracy of the information provided herein. Palmer does not warrant the accuracy of the information contained herein and reserves the right to make changes to this catalog at any time without notice.  
  
Except where otherwise noted or superseded by process of law, Palmer accepts no responsibility or liability for any losses or damages of any kind arising out of the use of this catalog or any of its related functions.  
  
This catalog is offered on the basis of the terms and conditions stated herein. Use of the online catalog confirms the user's acceptance of these same terms and conditions.  
  
The copyright of all content of this catalog is owned by Palmer Industries, Inc. No part of the Palmer catalog may be changed, reproduced, stored in or transmitted on any website or medium without the prior written permission of Palmer. Requests to republish any material must be sent to info@sinklegs.com.



R-102717  
R-102717



## Palmer washstands are the natural choice for supporting china or porcelain sinks...the perfect marriage.

Palmer leg systems can be sized to accommodate almost any choice of china sink.

Sizing a stand properly to a china sink can be accomplished three ways:

1. Choose a china sink from our online database located on our website Resources page at [sinklegs.com/sinks](http://sinklegs.com/sinks). This database represents a current listing of sinks that Palmer has evaluated. Palmer will build the stand to fit the sink exactly.
2. Drop-ship the sink directly to Palmer for proper sizing evaluation. Palmer will then take all the appropriate measurements, and determine a washstand size that fits the sink perfectly.
3. Order the washstand larger than required with the intention of cutting the leg system on-site to fit the sink. Note: shelves cannot be field cut.



Minimal with Duravit DuraStyle sink

### Styles

	Images	Pricing
<i>Classic Collection</i>		
<b>T</b> Tapered Foot	11	42
<b>C</b> Decorative Collar	12	46
<b>BL</b> Ball Foot	13	50
<b>B</b> Bun Foot	14	54
<i>Traditional Collection</i>		
<b>E</b> Essex	15	58
<b>W</b> Westport	16	60
<b>CAP</b> Capital	17	62
<b>K</b> Kingston	18	64
<b>V</b> Victorian	19	66
<b>REN</b> Renaissance	20	67
<b>P</b> Providence	21	68
<b>N</b> Newport	21a	69a
<i>Modern Collection</i>		
<b>S</b> Studio	22	70
<b>M</b> Minimal	23	74
<b>MET</b> Metro	24	76
<b>MOD</b> Modern	25	80
<b>SQ</b> Square	26	82
<b>L</b> Linear	27	84
<b>J</b> Jamestown	28	85
<i>Wall Mount Collection</i>		
<b>REG</b> Regency	29	86
<b>A</b> Apex	30	87

### Finishes, Options & Accessories

Finishes & Materials	32	90
Shelving & Supports	34	92
Options & Accessories	36	94

### Appendices

Order Forms	98
Packing & Shipping	100
Policies & Procedures	101
China Sinks	103
Anatomy of a Leg System	104
Tubing Diameter Reference	105



### Styles

#### Classic Collection

	Images	Pricing
<b>T</b> Tapered Foot	11	42
<b>C</b> Decorative Collar	12	46
<b>BL</b> Ball Foot	13	50
<b>B</b> Bun Foot	14	54

#### Traditional Collection

<b>E</b> Essex	15	58
<b>W</b> Westport	16	60
<b>CAP</b> Capital	17	62
<b>K</b> Kingston	18	64
<b>V</b> Victorian	19	66
<b>REN</b> Renaissance	20	67
<b>P</b> Providence	21	68
<b>N</b> Newport	21a	69a

#### Modern Collection

<b>S</b> Studio	22	70
<b>M</b> Minimal	23	74
<b>MET</b> Metro	24	76
<b>MOD</b> Modern	25	80
<b>SQ</b> Square	26	82
<b>L</b> Linear	27	84
<b>J</b> Jamestown	28	85

#### Wall Mount Collection

<b>REG</b> Regency	29	86
<b>A</b> Apex	30	87

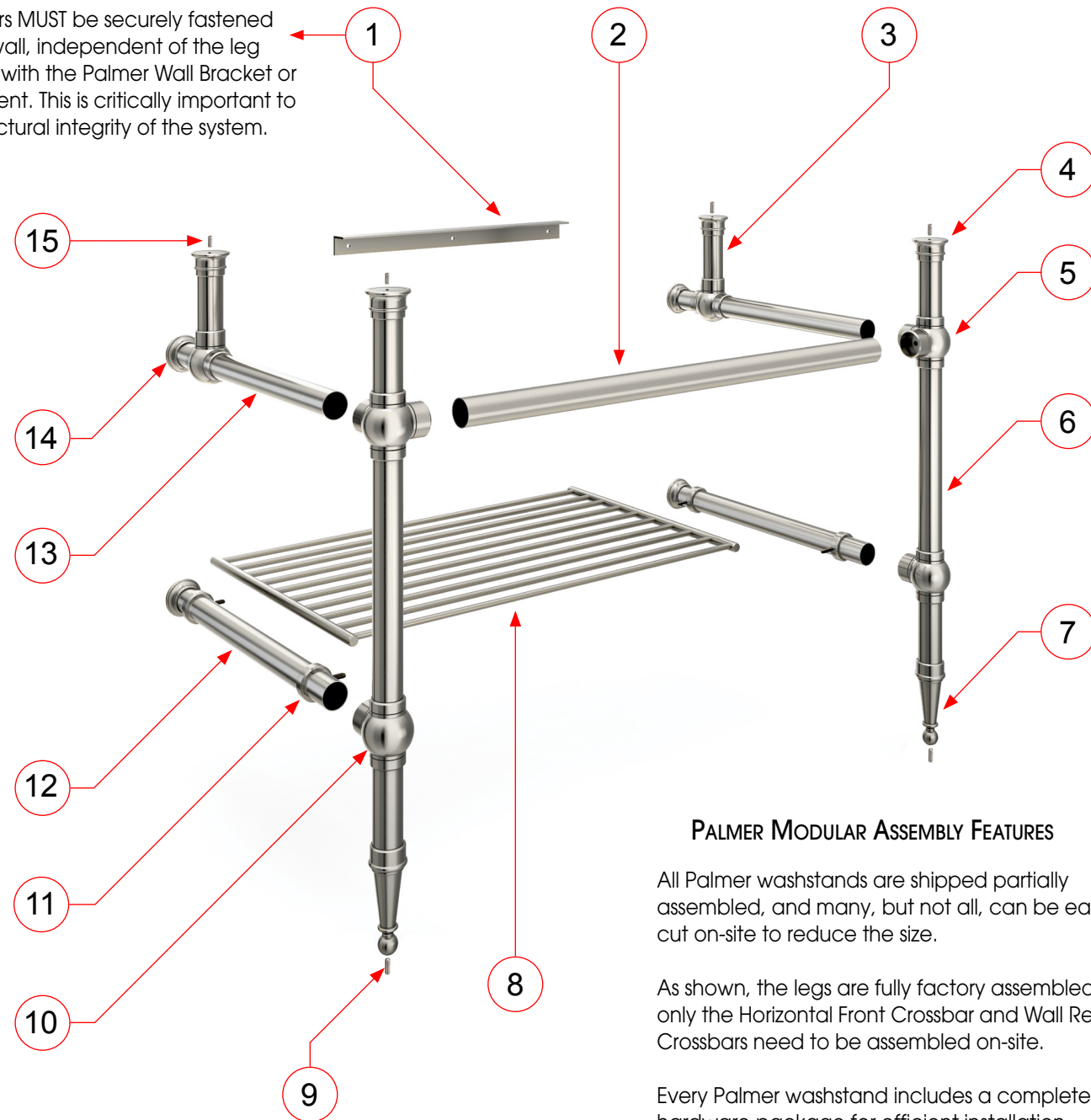
#### Finishes, Options & Accessories

Finishes & Materials	32	90
Shelving & Supports	34	92
Options & Accessories	36	94

#### Appendices

Order Forms	98
Packing & Shipping	100
Policies & Procedures	101
China Sinks	103
Anatomy of a Leg System	104
Tubing Diameter Reference	105

Counters MUST be securely fastened to the wall, independent of the leg system, with the Palmer Wall Bracket or equivalent. This is critically important to the structural integrity of the system.



#### PALMER MODULAR ASSEMBLY FEATURES

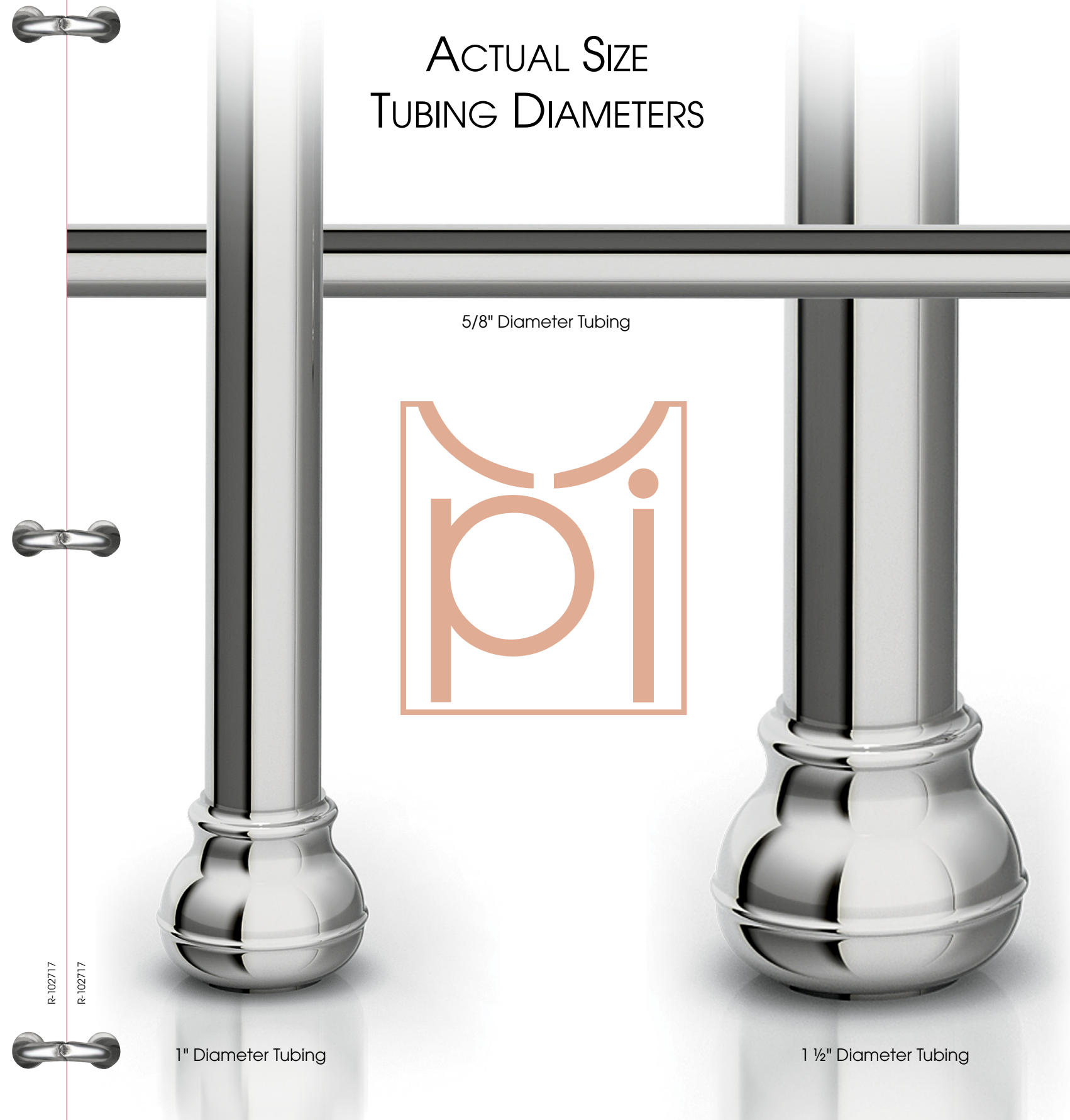
All Palmer washstands are shipped partially assembled, and many, but not all, can be easily cut on-site to reduce the size.

As shown, the legs are fully factory assembled, so only the Horizontal Front Crossbar and Wall Return Crossbars need to be assembled on-site.

Every Palmer washstand includes a complete hardware package for efficient installation.

1. Wall Bracket
2. Front Crossbar
3. Rear Riser (optional)
4. Top Cap
5. Corner Joint
6. Leg Tube
7. Foot
8. Shelf (optional)
9. Floor Pin
10. Shelf Support Tee Joint (optional)
11. Shelf Support Ring (optional)
12. Shelf Support Tube (optional)
13. Wall Return Crossbar
14. Wall Flange
15. Counter Pin

## ACTUAL SIZE TUBING DIAMETERS



R-102717

R-102717

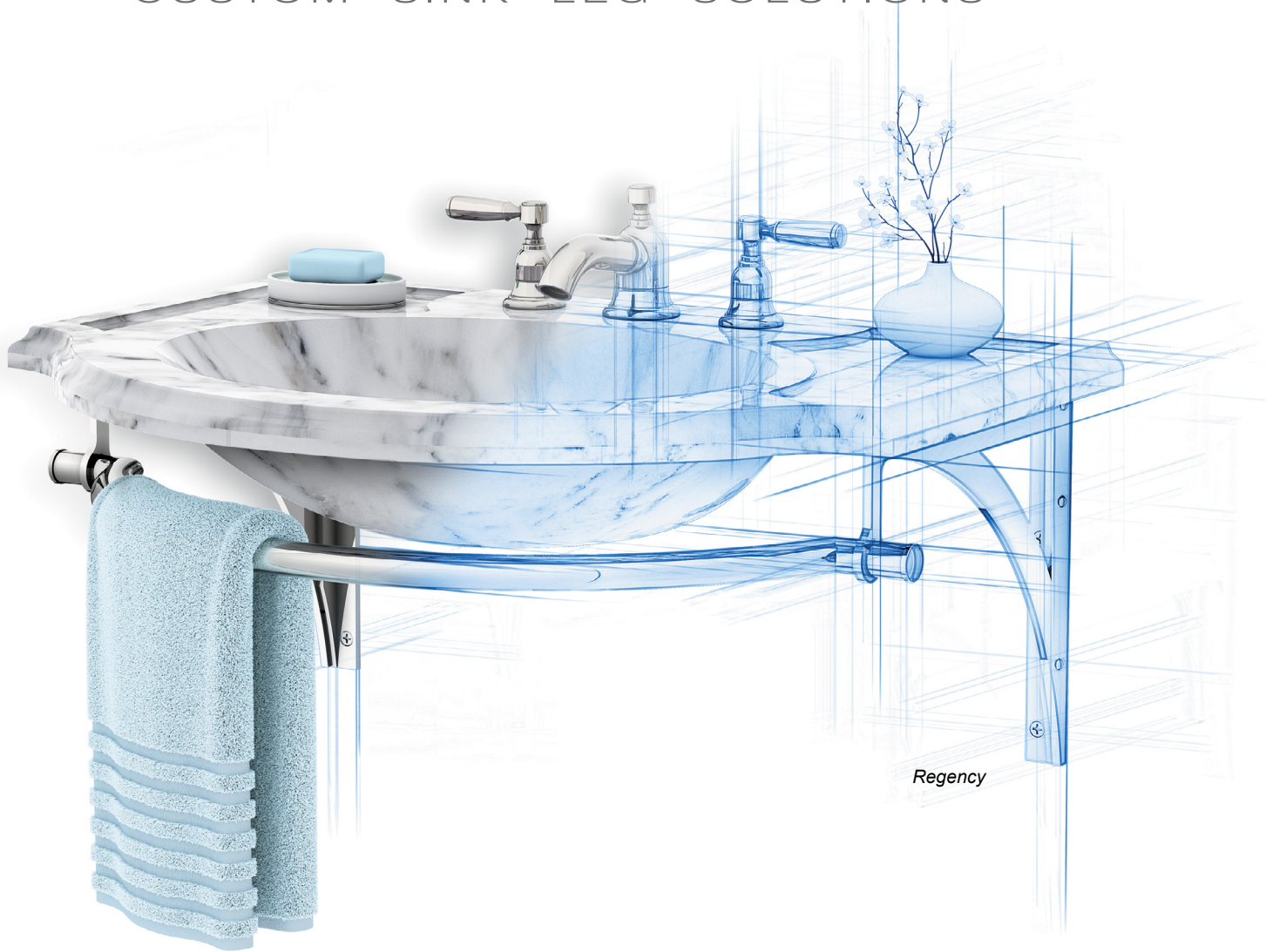


1" Diameter Tubing

1 1/2" Diameter Tubing

# PALMER INDUSTRIES®

CUSTOM SINK LEG SOLUTIONS



Palmer Industries, Inc.  
862R Charles Street - Suite A  
North Providence, RI 02904  
USA

Phone: 401-421-1730  
Fax: 401-421-4238

Info@sinklegs.com  
sinklegs.com  
palmerindustries.com

American Manufacturing



Providence, Rhode Island

© 2018 Palmer Industries Inc. all rights reserved