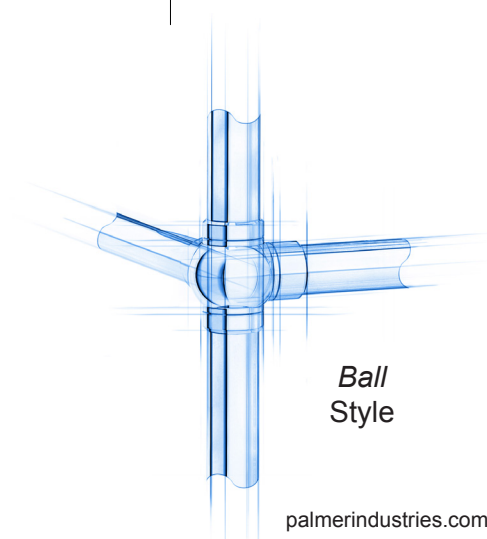


ALL SHELF SYSTEMS ARE CUSTOM BUILT TO ANY SIZE, ANY CONFIGURATION, & ANY FINISH
CEILING-MOUNT, WALL-MOUNT, & COUNTER-MOUNT AVAILABLE

Style	Ball	Vertical Posts		Horizontal Crossbars	
Shelves	3	Front	3	Top Front Only	No
Mount	Wall	Rear	0	Bottom Front Only	No
				All Front	Yes
				Matching Rear Bars	No

EXAMPLE AS DRAWN ABOVE:
3-POST 3-SHELF CONFIGURATION



Ball Style