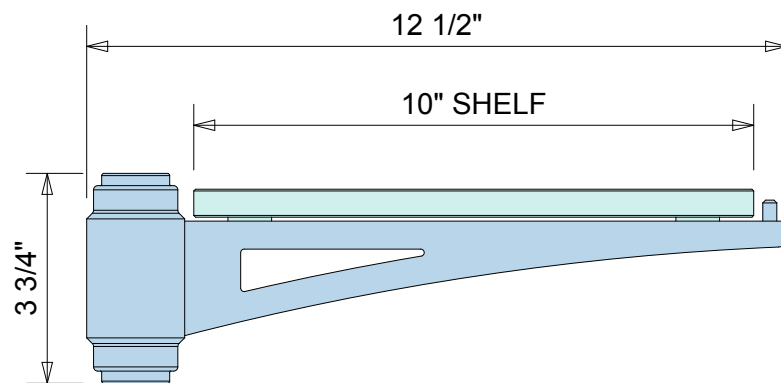
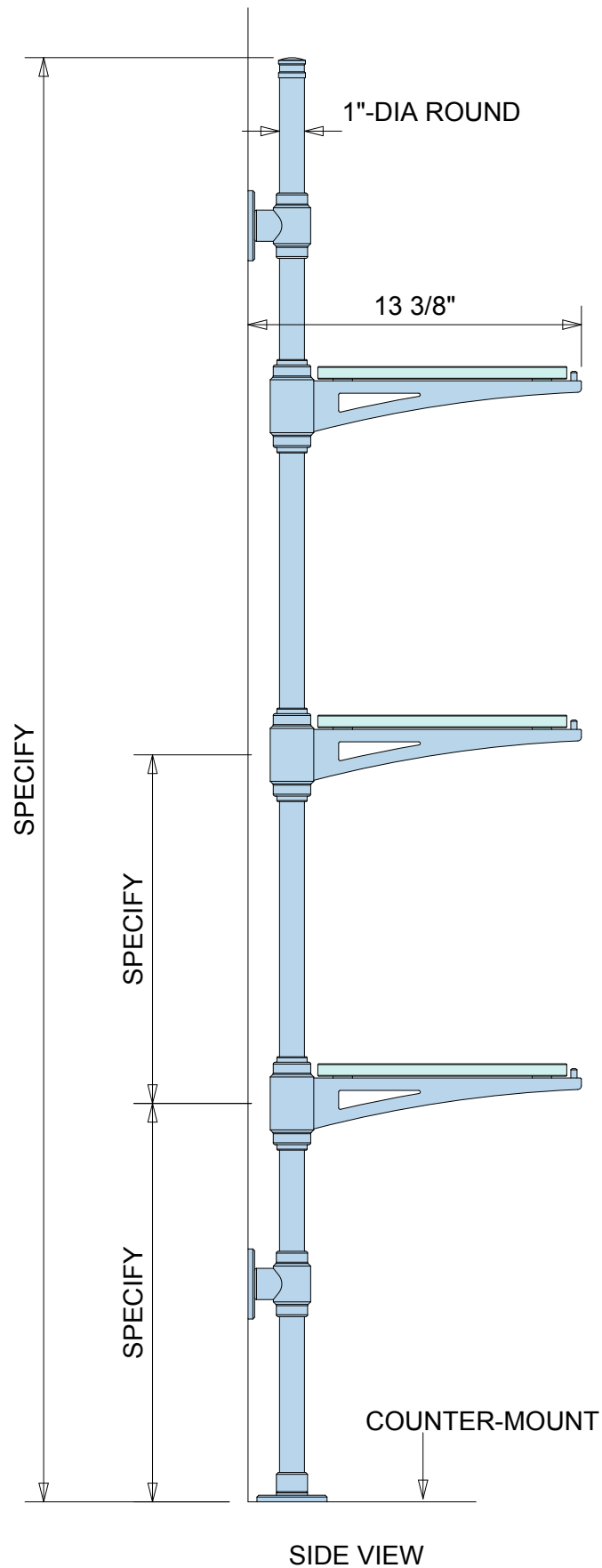
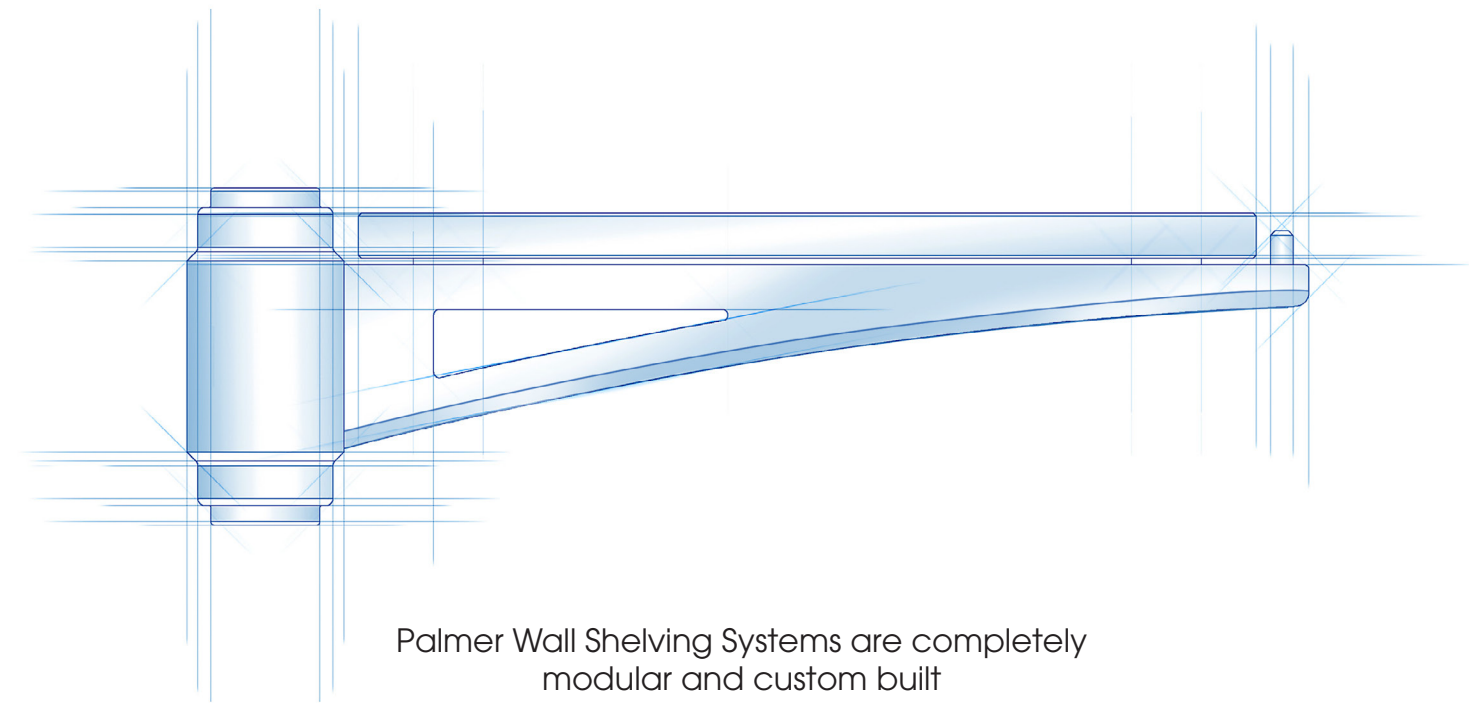


RACK | CANTILEVER
SHELVING



The *Rack* style shelving offers a flexible and modular cantilevered bracket shelving system and is based on Palmer's popular *Studio* style. It can be either counter mounted or ceiling mounted.



Palmer Wall Shelving Systems are completely modular and custom built to any design and leg configuration

American Manufacturing



Providence, Rhode Island