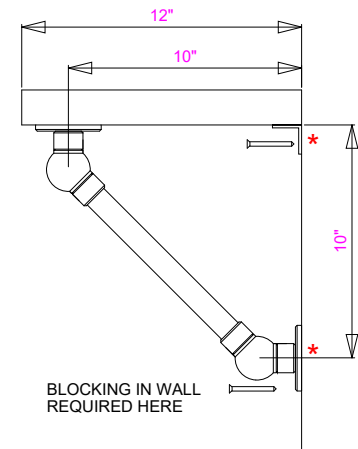


(2) SYSTEMS REQUIRED
 AGED BRASS UN-LACQUERED LIVING FINISH

SHELF BY OTHERS



SIGNATURE | BRACKET
 S H E L V I N G

Minimum of 2 Brackets per Shelf
 Wall Mounts

Drawing # 5250