

PALMER INDUSTRIES

CUSTOM SINK LEG SOLUTIONS

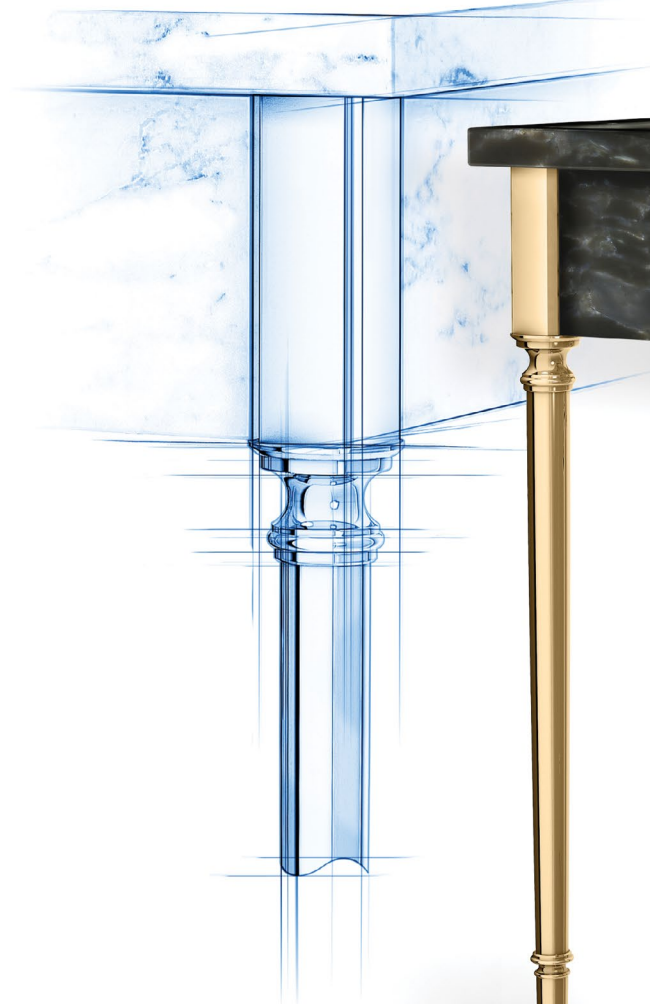
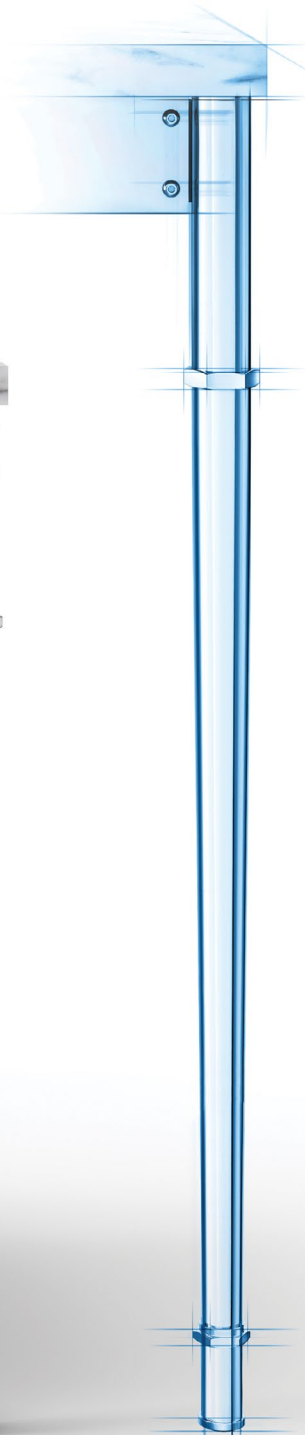


SINK₂₀
₂₀**LEGS**

Palmer Industries is an American manufacturer of solid brass vanity sink legs and other architectural metalwork. We are a custom supplier, with each stand built and packaged, one at a time, to your custom specifications...any style, any size, any configuration, and any finish.



The Bristol



The Providence

Our company was founded forty years ago as a custom, artisan-style shop, offering a very high degree of customer service and design flexibility...and we still operate on that basis today, building each console individually to your preferences. Our business model is structured to produce a meticulously crafted and personalized product assembled in America, accompanied by the extraordinary response and follow through of our experienced team.

Palmer Designs.... Palmer Possibilities...

As individual details are layered within your bathroom space, the Palmer console will integrate perfectly with your unique choices of personal colors, wall, floor and counter materials, as well as plumbing fixtures.

Palmer consoles will support any choice of counter material, such as granite, marble, quartz, porcelain, cement, Corian, glass, metal, or wood. You provide the counter, and Palmer will design the appropriate washstand exactly to specification: the perfect marriage.

Engineered in solid brass and richly finished in a full palette of lustrous platings and hand-rubbed patinas, Palmer Industries brings you the finest in custom vanity sink legs, perfectly at home in your elegant master bedroom suite or your understated powder room.



Square

Tapered Foot

Decorative Collar

Bun Foot

Ball Foot

Essex

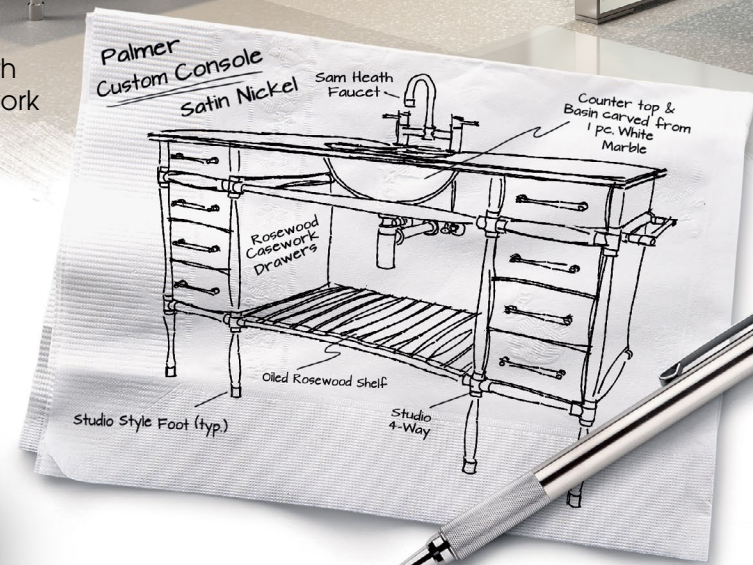
visit palmerindustries.com to view more styles

Palmer Vanity Visions

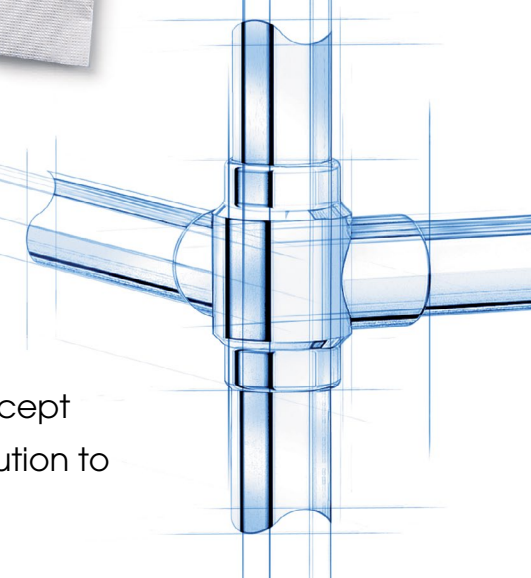
If You Can Dream It...Palmer Can Build It



Studio style in satin nickel with integrated rosewood casework



Provide us with your simple sketch, magazine clipping, or a concept image from social media, and Palmer will quickly propose a solution to accommodate your design intent.



Flexible Design... Rigid Assembly...

Palmer offers unlimited design flexibility to create exactly the style and configuration of console you prefer, while never compromising the engineering details that ultimately produce a sound and rigid assembly.

Our internal "unseen" components are just as impressive in their function as our external decorative fittings are in their form.

Components such as custom-designed reinforcing plugs and nuts, tubing connectors, and heavy-duty machine fasteners (we never use "sheet-metal" screws), all chosen in appropriate metals such as stainless steel and tempered aluminum, are carefully integrated to produce a seamless and lasting console.

Westport

Modern

visit palmerindustries.com to view more styles



The Polished Look of Palmer Perfection...

Please visit our website at palmerindustries.com to view additional Palmer styles, finishes, and options...



The Bayonne with Walnut Legs



The Tapered Foot with Acrylic Rod

Perma-Clear
Acrylic Rod

Seafoam
Acrylic Rod

Black
Acrylic Rod

The Palmer Palette includes a rich range of luxurious and durable platings, PVD coatings, and hand-rubbed "living finish" patinas. With the addition of clear and colored acrylic rods and our many functional accessories, your design choices are virtually unlimited...

Polished
Chrome

Polished
Nickel

Satin
Nickel

Polished Brass
Un-Lacquered or PVD

Satin Brass
PVD

Polished Gold
PVD

Satin Gold
PVD

Oil Rubbed
Bronze

Semi-Matte Black
Powder Coat

Aged Brass
Un-Lacquered



PALMER INDUSTRIES

CUSTOM SINK LEG SOLUTIONS



The Regency

Distributed By:

Palmer Industries, Inc.
862R Charles Street - Suite A
North Providence, RI 02904
USA

Info@palmerindustries.com
palmerindustries.com
sinklegs.com
Phone: (401) 421-1730

American Manufacturing



Providence, Rhode Island