

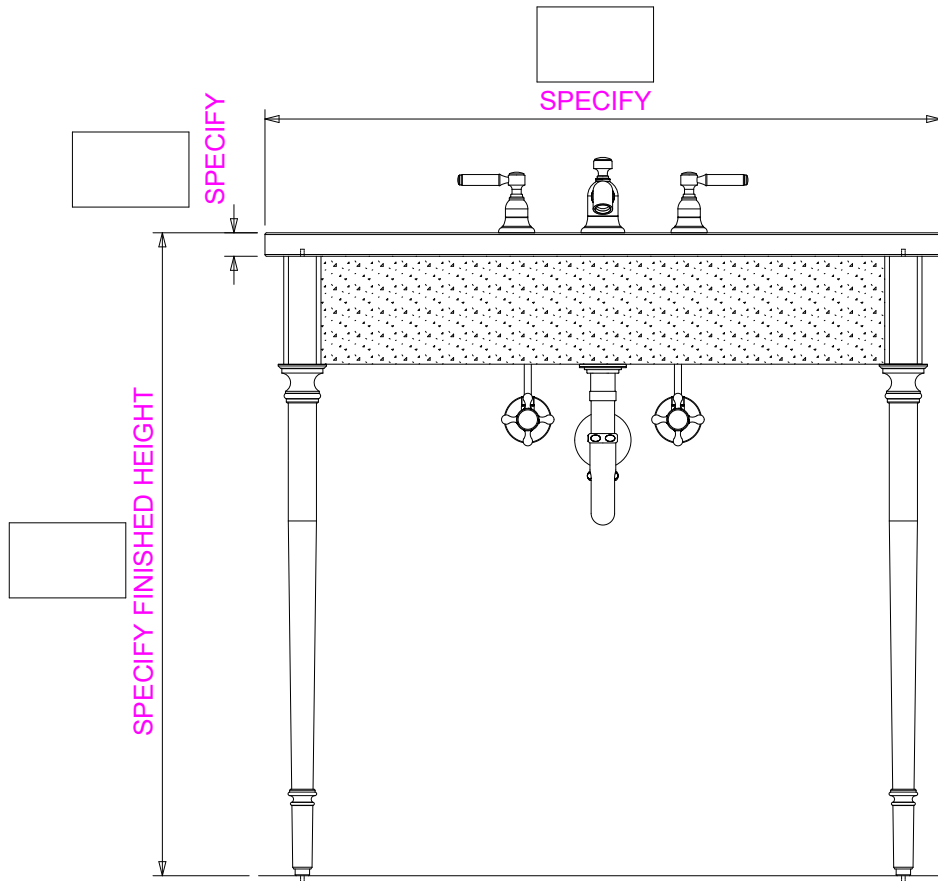
Dealer: \_\_\_\_\_

Approved by: \_\_\_\_\_

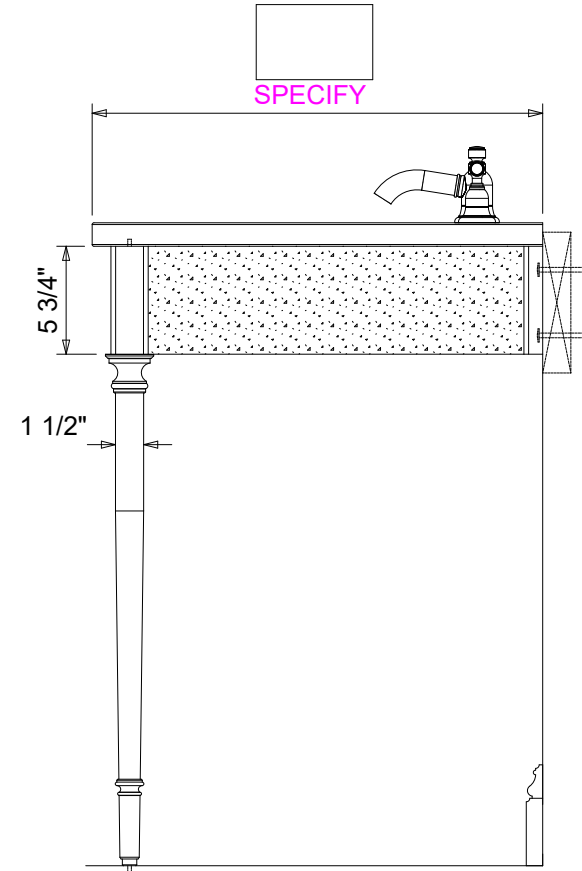
PO#: \_\_\_\_\_

Date: \_\_\_\_\_

Specify Finish \_\_\_\_\_



FRONT VIEW



SIDE VIEW

SINK TOP AND APRON PANELS BY OTHERS

**PALMER INDUSTRIES**  
CUSTOM ARCHITECTURAL METALWORK

REV	CHANGE(S)	BY	DATE

REMARKS PROVIDENCE STYLE LEG SYSTEM REQUIRED DIMENSIONS FORM	DRAWER	SJ	DESCRIPTION(S) LEG SYS, 2-LEG, PROVIDENCE PART NUMBER(S) LS2P	PALMER INDUSTRIES 862R Charles Street No. Providence, RI 02904 Phone: 401-421-1730 Fax: 401-421-4238
	MATERIAL	BRASS		
	FINISH			

These designs and drawings are confidential, and the exclusive property of Palmer Industries. They may not be disclosed or duplicated without the expressed, written consent of Palmer Industries. Copyright circa 2016 Palmer Industries. All rights reserved.