

PALMER INDUSTRIES

HOSPITALITY DIVISION
CUSTOM SINK LEG SOLUTIONS

At Palmer, we pride ourselves on our in-depth knowledge of the unique challenges and requirements facing the hospitality industries.



Our team specializes in conceptualizing, designing, and engineering products that satisfy functional needs with architectural appeal.

Palmer consoles can be seen the world over in upscale boutique hotels, posh high-rise residences, fine restaurants, cafes, and myriad commercial environments.

Allow us to guide you toward sound, practical, and educated decisions that will enhance your business and delight your guests.



PACIFIC STREET
TOWNHOUSES

THE Fairmont
COPLEY PLAZA
BOSTON

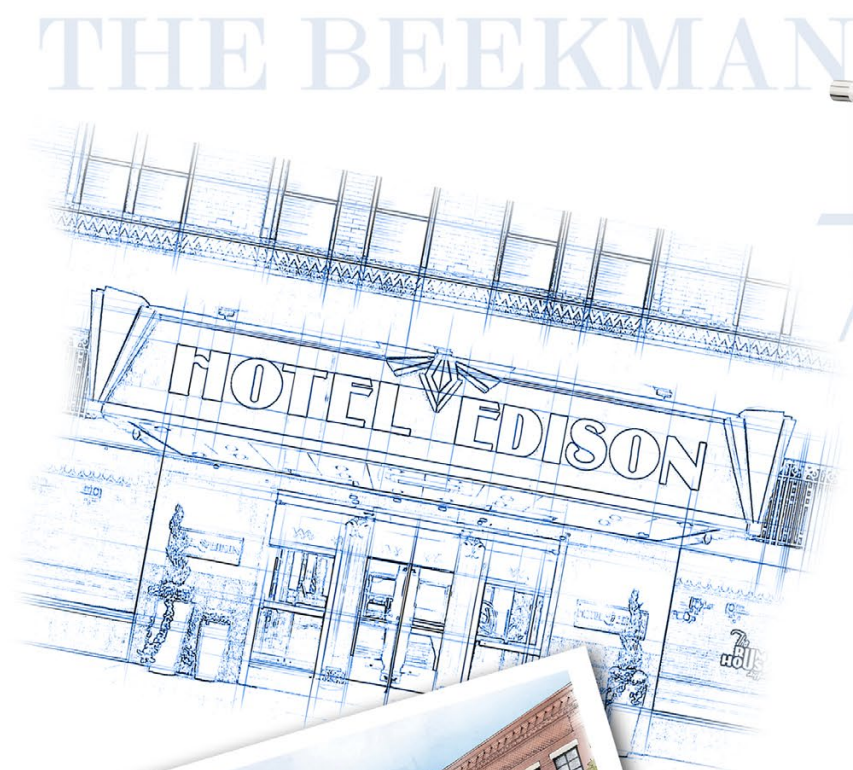
HL

UNION STATION
EST. 1881

Palmer Industries is an American manufacturer of solid brass vanity sink legs, and other architectural metalwork. We are a custom supplier, with each stand built and packaged one at a time to your custom specifications...any style, any size, any configuration, and any finish.



The Metropolitan



Hard Rock
HOTEL
LAS VEGAS



The Victorian

Trump National Doral
MIAMI

Our company was founded forty years ago as a custom, artisan-style shop, offering a very high degree of customer service and design flexibility...and we still operate on that basis today, building each console individually to your preference. Our business model is structured to produce a meticulously crafted and personalized product assembled in America, accompanied by the extraordinary response and follow through of our experienced team.

V

EDISON
NEW YORK CITY

SOHO HOUSE

TIDE WATER

THE Williamsburg
Hotel

UNIVERSAL
Orlando

Outback Spirit
Specialists in escorted outback travel

THE O...
No. 7
HOTEL & CHANDLERY

Yale
UNIVERSITY

bloomingdale's

Palmer Designs.... Palmer Possibilities...

As individual details are layered within a bathroom space, the Palmer console will integrate perfectly with your unique choices of personal colors, wall, floor and counter materials, and plumbing fixtures.

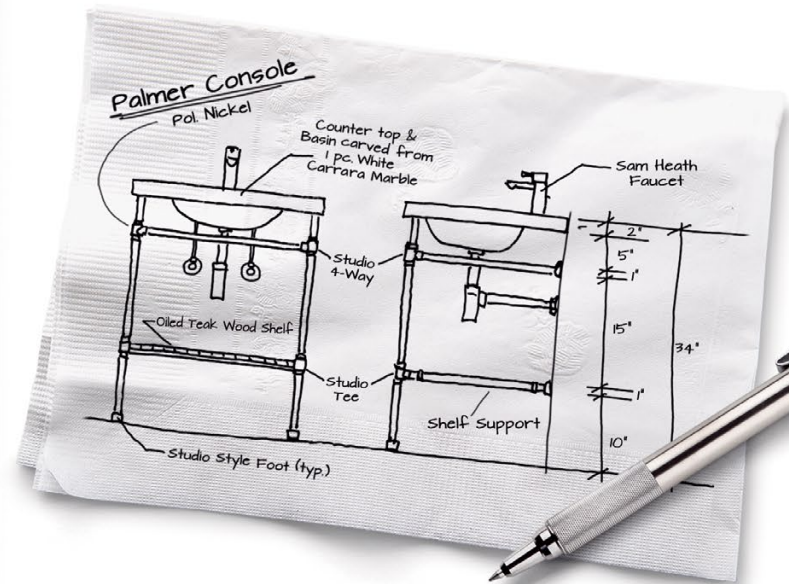
Palmer consoles will support any choice of counter material, such as granite, marble, quartz, porcelain, cement, Corian, glass, metal, or wood. You provide the counter, and Palmer will design the appropriate washstand exactly to specification: the perfect marriage.

Engineered in solid brass and richly finished in a full palette of lustrous platings and hand-rubbed patinas, Palmer Industries brings you the finest in custom vanity sink legs, perfectly at home in elegant bedroom suites or understated powder rooms.

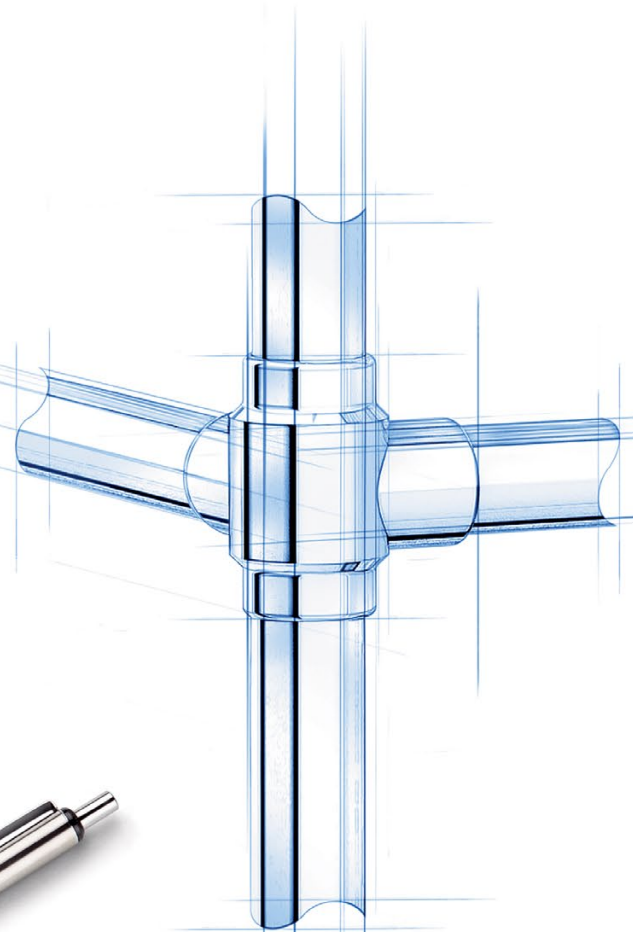


If You Can Dream It... Palmer Can Build It

From your inspiration to the final polishing touch, Palmer's dedicated team of engineers and artisans can take your project from conception to completion.



Provide us with your architectural specifications, a simple sketch, magazine clipping, or a concept image from Houzz or Pinterest, and Palmer will quickly propose a solution to accommodate your design intent.



Flexible Design... Rigid Assembly...

Palmer offers unlimited design flexibility to create exactly the style and configuration of console you prefer, while never compromising the engineering details that ultimately produce a sound and rigid assembly.

Our internal "unseen" components are just as impressive in their function as our external decorative fittings are in their form.

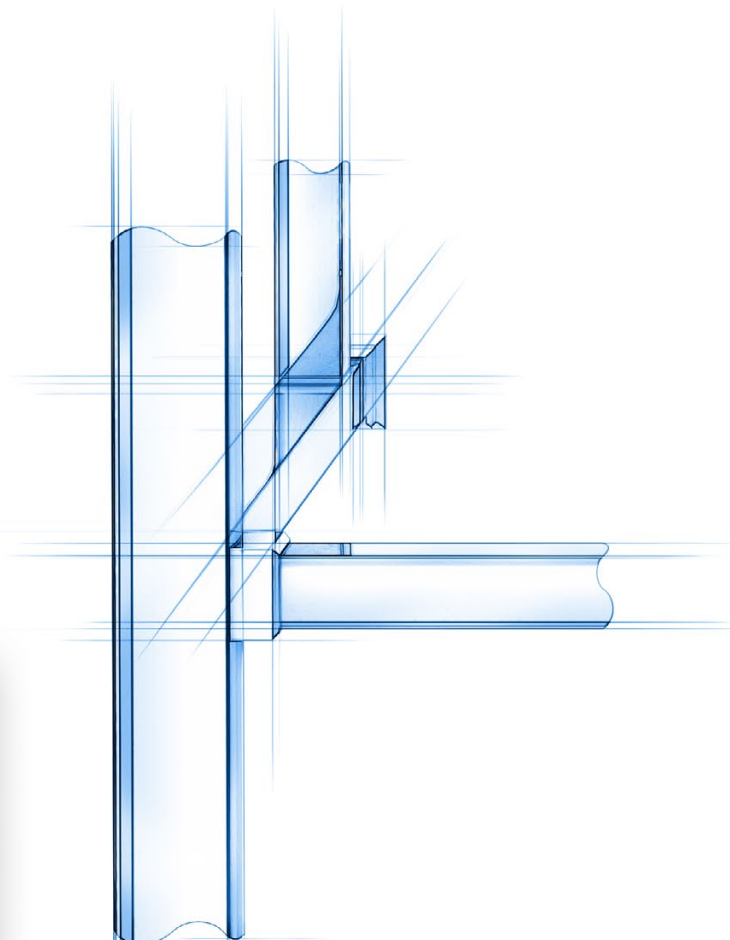
Components such as custom-designed reinforcing plugs and nuts, tubing connectors, and heavy-duty machine fasteners (never "sheet-metal" screws), all chosen in appropriate metals such as stainless steel and tempered aluminum, are carefully integrated to produce a seamless and lasting console.



Born from Solid Brass...
Schooled in Luxury...
Finished with Style & Polish

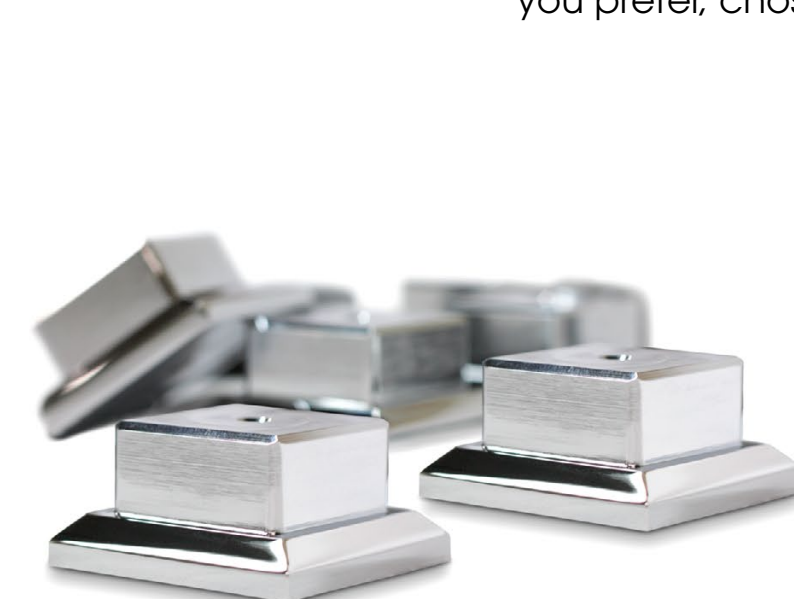
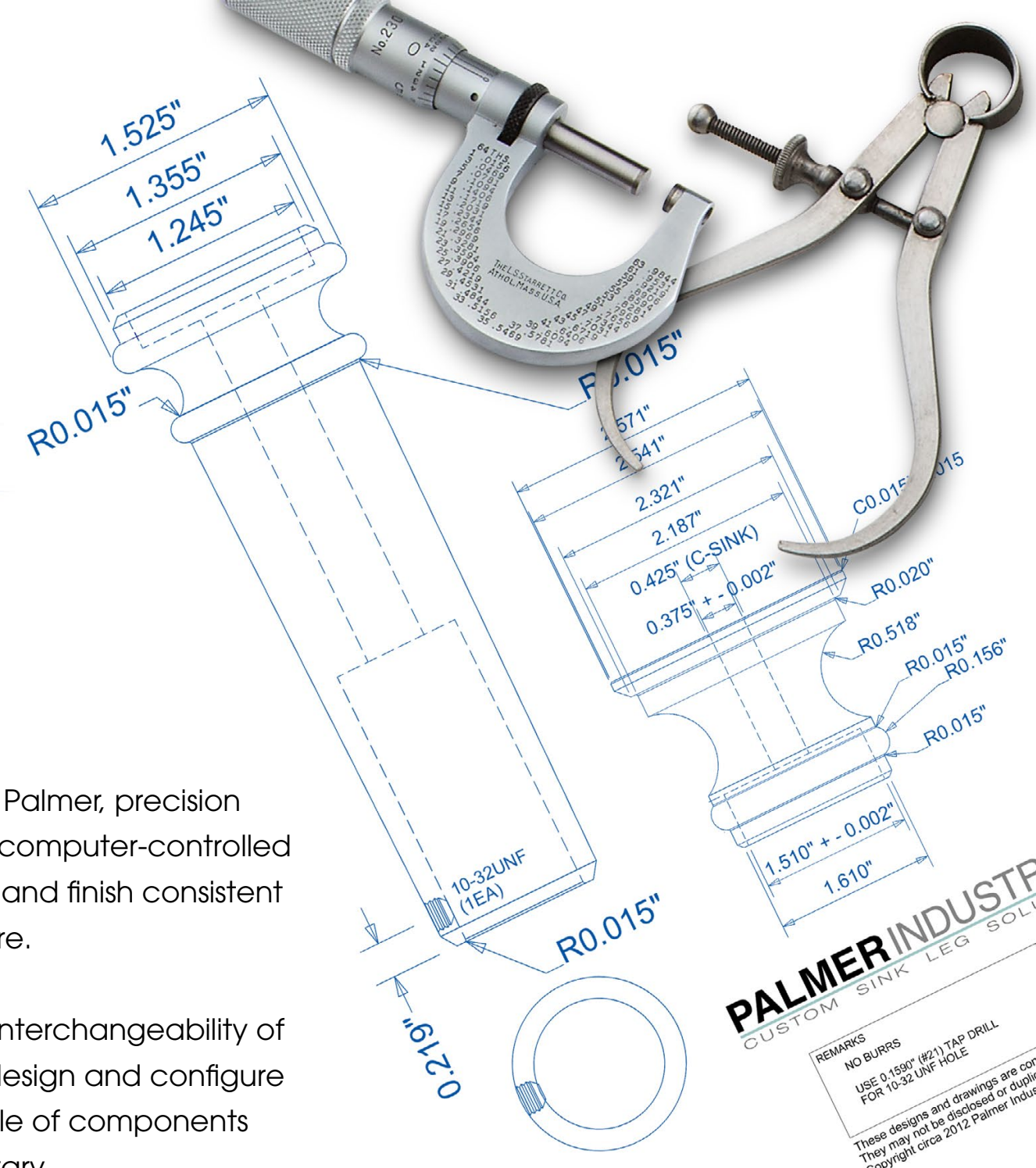


[click here to view a Palmer component being machined](#)



Our components are proprietary to Palmer, precision machined from solid brass rod with computer-controlled equipment, producing a perfect fit and finish consistent with the highest-quality bath furniture.

A unique Palmer advantage is the interchangeability of our parts, enabling you to custom design and configure a washstand utilizing exactly the style of components you prefer, chosen from our vast library.



The Polished Look of Palmer Perfection...

Please visit our website at sinklegs.com
to view additional Palmer styles and options...



Perma-Clear
Acrylic Rod

Seafoam

The Palmer Palette includes a rich range of luxurious and durable platings, PVD coatings, and hand-rubbed "living finish" patinas. With the addition of clear and colored acrylic rods and our many functional accessories, your design choices are virtually unlimited...

Polished
Chrome

Polished
Nickel

Satin
Nickel

Polished Brass
Un-Lacquered or PVD

Satin
Brass PVD

Polished
Gold PVD

Satin
Gold PVD

Aged Brass
Un-Lacquered

Oil Rubbed
Bronze



PALMER INDUSTRIES

HOSPITALITY DIVISION
CUSTOM SINK LEG SOLUTIONS

Click on any image to download a high-res pdf
(Adobe Acrobat Reader required)



Ball Foot



Bun Foot



Capital



Decorative Collar



Kingston



Linear

PALMER INDUSTRIES

HOSPITALITY DIVISION
CUSTOM SINK LEG SOLUTIONS

Click on any image to download a high-res pdf
(Adobe Acrobat Reader required)



Metro



Minimal



Modern



Regency



Square

PALMER INDUSTRIES

HOSPITALITY DIVISION
CUSTOM SINK LEG SOLUTIONS

Click on any image to download a high-res pdf
(Adobe Acrobat Reader required)



Studio - 1.5"



Studio - 1.0"



Tapered Foot



Tapered Leg



Victorian



Westport

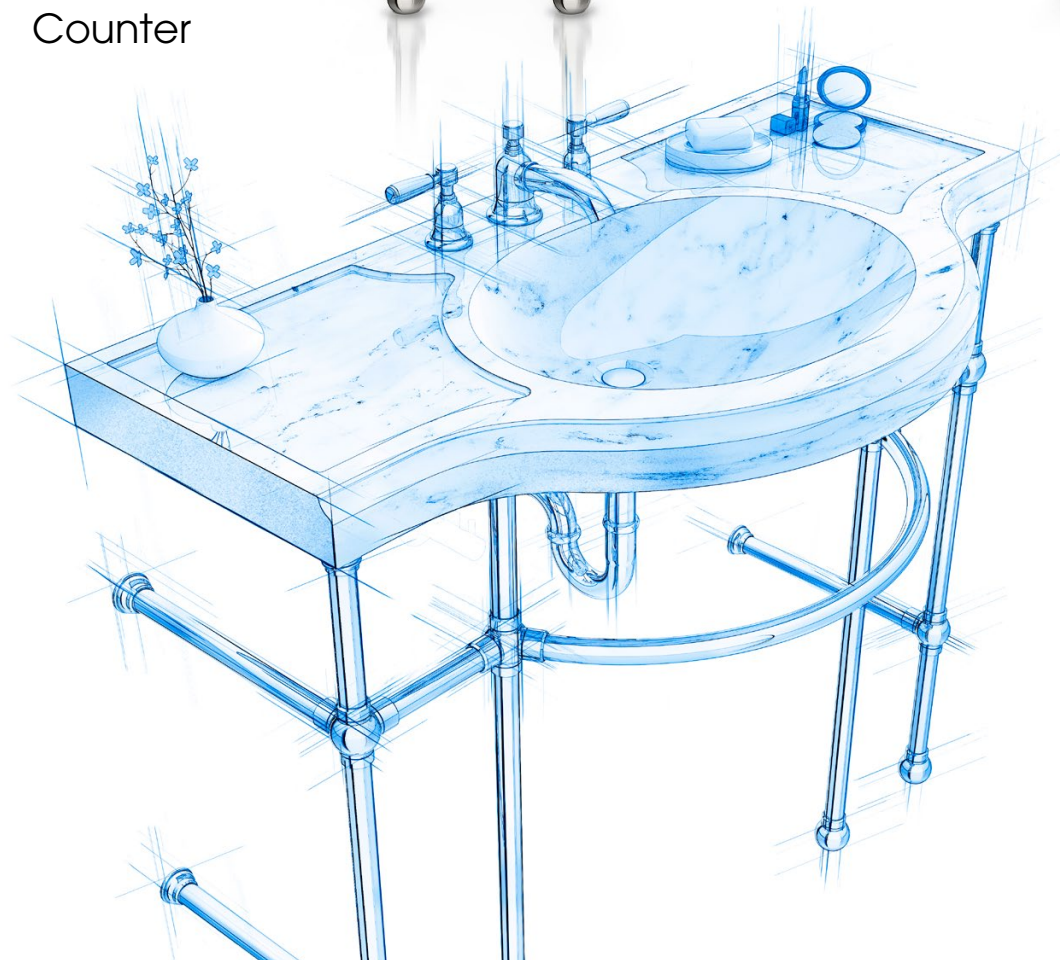
PALMER INDUSTRIES

HOSPITALITY DIVISION
CUSTOM SINK LEG SOLUTIONS

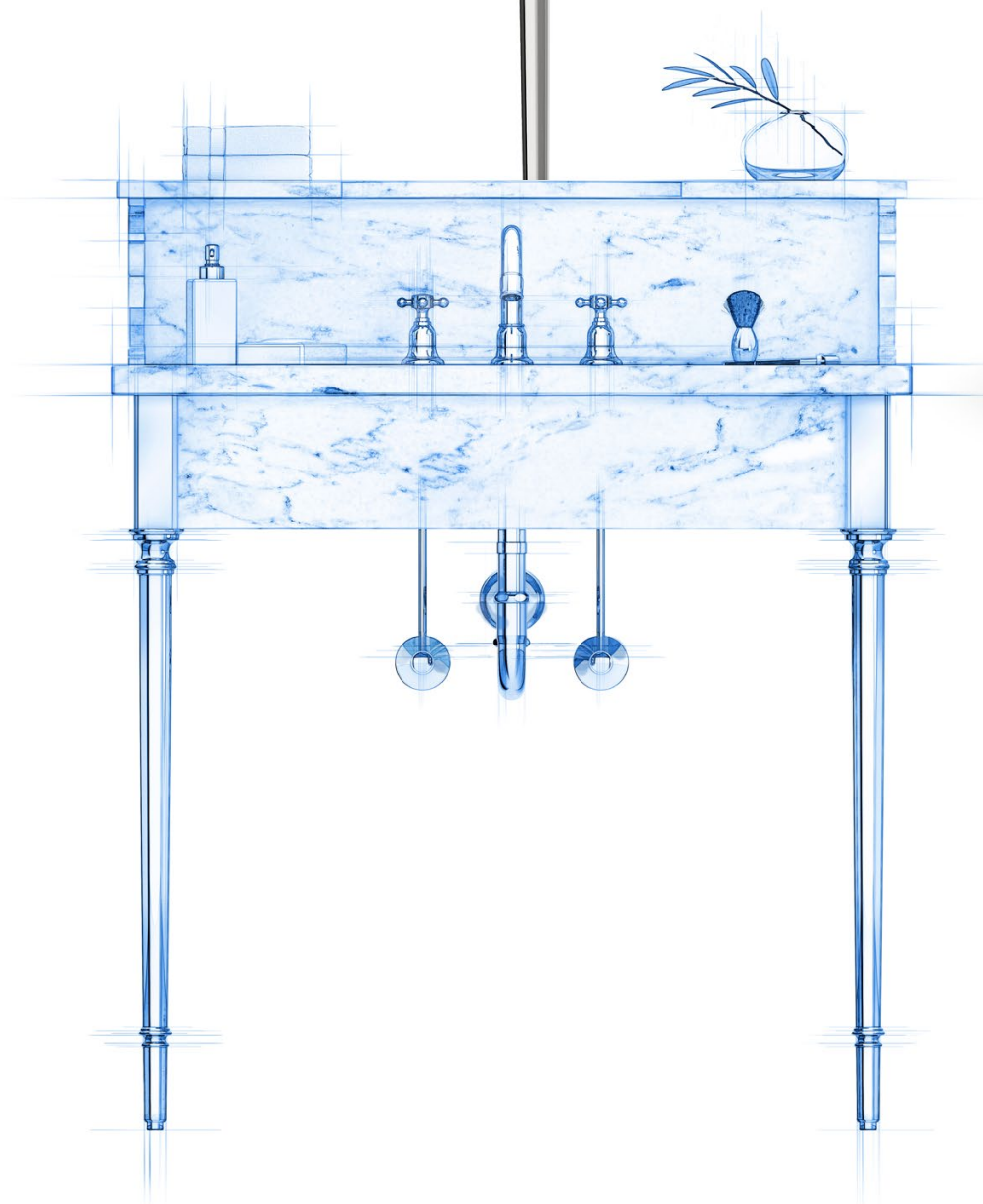
Click on any image to download a high-res pdf
(Adobe Acrobat Reader required)



Custom leg configuration for Stone Forest Renaissance Counter



Providence



PALMER INDUSTRIES

HOSPITALITY DIVISION
CUSTOM SINK LEG SOLUTIONS

Palmer Industries, Inc.
71 Cypress St.
Warwick, RI 02888 USA

Info@palmerindustries.com
www.sinklegs.com

Phone: (401) 421-1730



The Regency

American Manufacturing



Warwick, Rhode Island