

# **PALMER INDUSTRIES**

CUSTOM SINK LEG SOLUTIONS

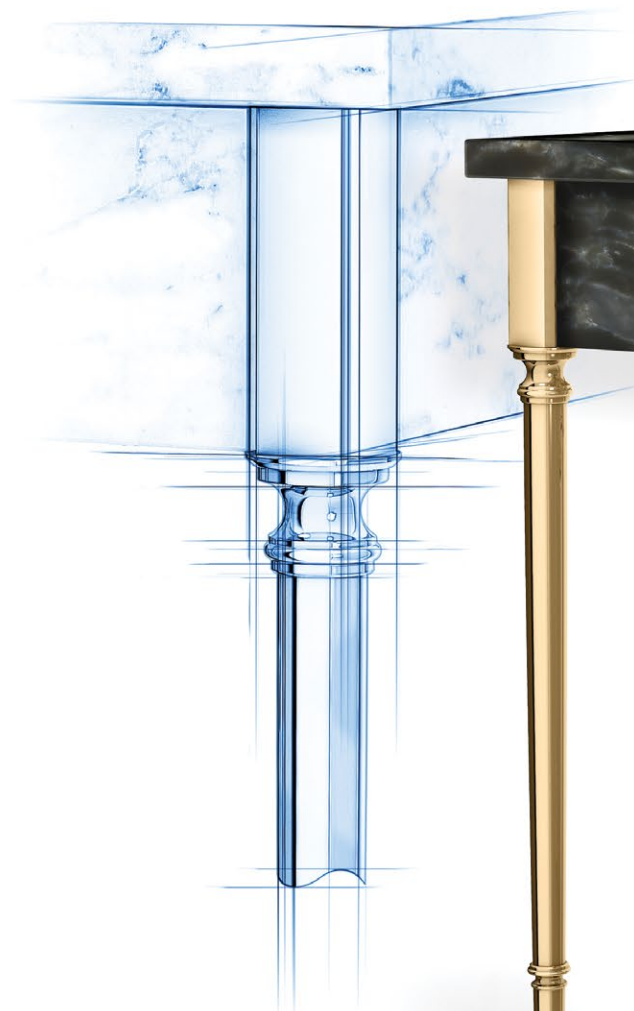
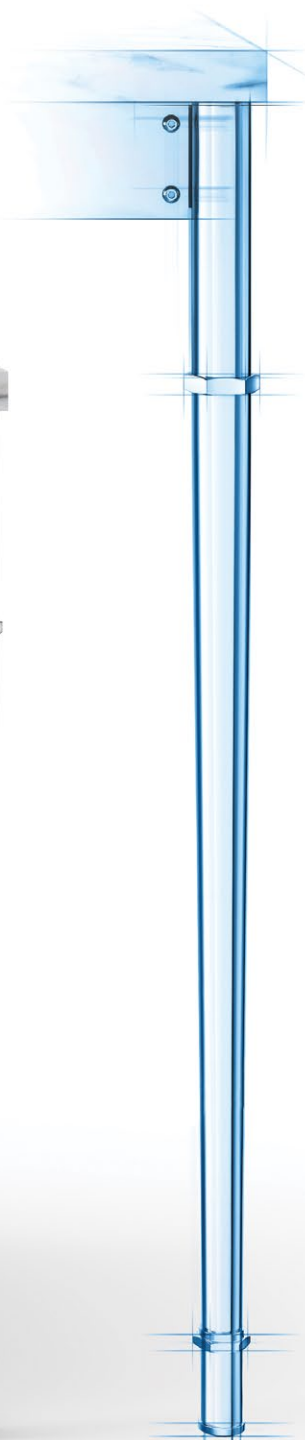


**SINK**<sup>20</sup>  
<sup>20</sup>**LEGS**

**Palmer Industries** is an American manufacturer of solid brass vanity sink legs and other architectural metalwork. We are a custom supplier, with each stand built and packaged, one at a time, to your custom specifications...any style, any size, any configuration, and any finish.



*The Bristol*



*The Providence*

Our company was founded forty years ago as a custom, artisan-style shop, offering a very high degree of customer service and design flexibility...and we still operate on that basis today, building each console individually to your preferences. Our business model is structured to produce a meticulously crafted and personalized product assembled in America, accompanied by the extraordinary response and follow through of our experienced team.

# Palmer Designs.... Palmer Possibilities...

As individual details are layered within your bathroom space, the Palmer console will integrate perfectly with your unique choices of personal colors, wall, floor and counter materials, as well as plumbing fixtures.

Palmer consoles will support any choice of counter material, such as granite, marble, quartz, porcelain, cement, Corian, glass, metal, or wood. You provide the counter, and Palmer will design the appropriate washstand exactly to specification: the perfect marriage.

Engineered in solid brass and richly finished in a full palette of lustrous platings and hand-rubbed patinas, Palmer Industries brings you the finest in custom vanity sink legs, perfectly at home in your elegant master bedroom suite or your understated powder room.



Square

Tapered Foot

Decorative Collar

Bun Foot

Ball Foot

Essex

visit [palmerindustries.com](http://palmerindustries.com) to view more styles

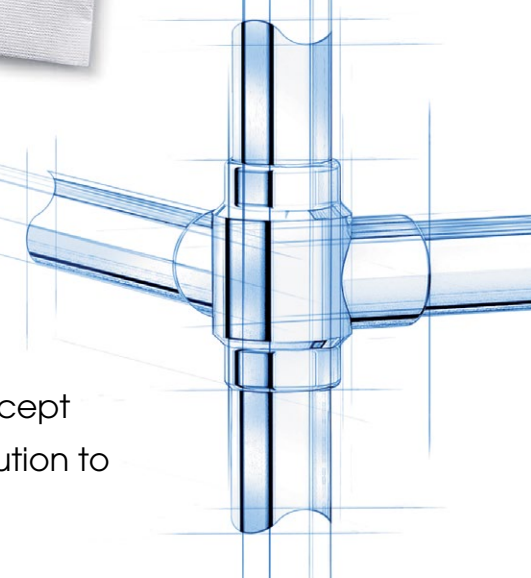
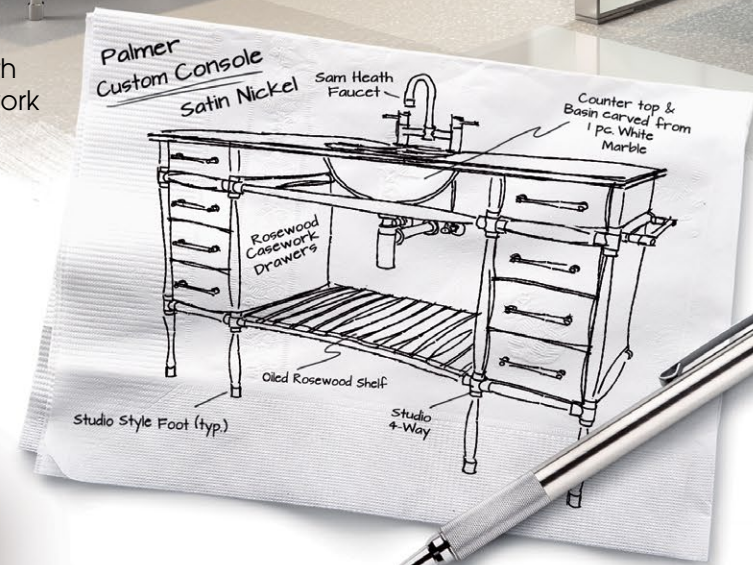
# Palmer Vanity Visions

# If You Can Dream It...Palmer Can Build It



Newport Walnut + ORB

Newport Walnut + PN



Provide us with your simple sketch, magazine clipping, or a concept image from social media, and Palmer will quickly propose a solution to accommodate your design intent.

## Flexible Design... Rigid Assembly...

Palmer offers unlimited design flexibility to create exactly the style and configuration of console you prefer, while never compromising the engineering details that ultimately produce a sound and rigid assembly.

Our internal "unseen" components are just as impressive in their function as our external decorative fittings are in their form.

Components such as custom-designed reinforcing plugs and nuts, tubing connectors, and heavy-duty machine fasteners (we never use "sheet-metal" screws), all chosen in appropriate metals such as stainless steel and tempered aluminum, are carefully integrated to produce a seamless and lasting console.

Westport

Modern

visit [palmerindustries.com](http://palmerindustries.com) to view more styles



# The Polished Look of Palmer Perfection...

Please visit our website at [palmerindustries.com](http://palmerindustries.com) to view additional Palmer styles, finishes, and options...



*The Bayonne with Walnut Legs*



*The Tapered Foot with Acrylic Rod*

Perma-Clear  
Acrylic Rod

Seafoam  
Acrylic Rod

The Palmer Palette includes a rich range of luxurious and durable platings, PVD coatings, and hand-rubbed "living finish" patinas. With the addition of clear and colored acrylic rods and our many functional accessories, your design choices are virtually unlimited...

Polished  
Chrome

Polished  
Nickel

Satin  
Nickel

Polished Brass  
Un-Lacquered or PVD

Satin Brass  
PVD

Polished Gold  
PVD

Satin Gold  
PVD

Oil Rubbed  
Bronze

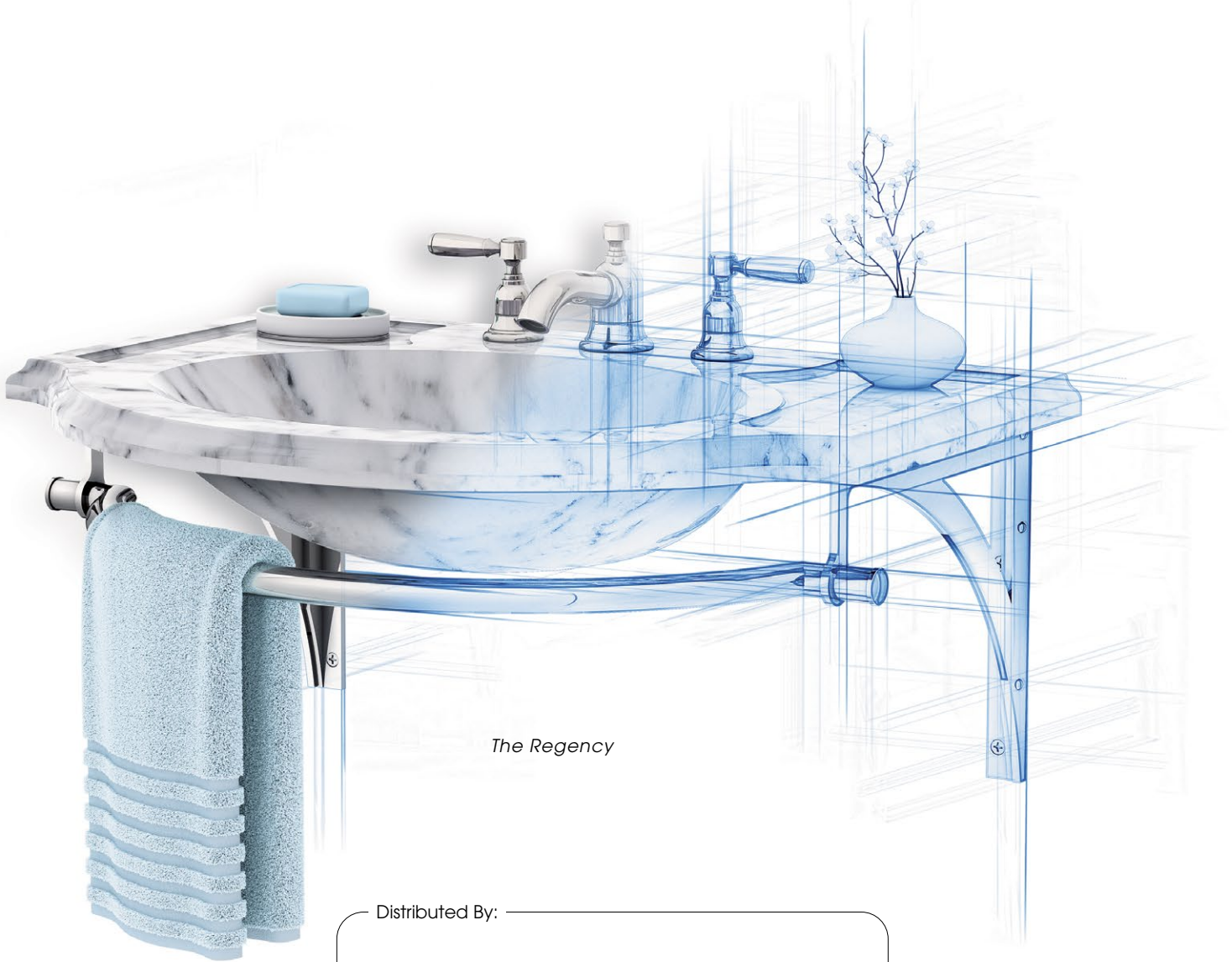
Semi-Matte Black  
Powder Coat

Aged Brass  
Un-Lacquered



# PALMER INDUSTRIES

CUSTOM SINK LEG SOLUTIONS



*The Regency*

Distributed By: \_\_\_\_\_

Palmer Industries, Inc.  
71 Cypress Street  
Warwick, RI 02888  
USA

Info@palmerindustries.com  
palmerindustries.com  
sinklegs.com  
Phone: (401) 421-1730

American Manufacturing



Warwick, Rhode Island