

# PALMER INDUSTRIES

CUSTOM SINK LEG SOLUTIONS



*The Bristol*

SINK<sup>20</sup>  
23 LEGS

American Manufacturing  
Warwick, Rhode Island



Bayonne

Palmer Industries is the leading manufacturer of vanity sink legs. Palmer washstands are proudly manufactured in the USA – designed, fabricated, assembled, and packaged in our Rhode Island facility. We maintain complete control over the entire process, enabling Palmer to custom fabricate any style, any size, any configuration, and any finish, efficiently and accurately.

All page numbers shown in the Table of Contents or referenced on any page are active HyperLinks, click on them and they will take you to that page. Many other references are also active links.

## Table of Contents

	Images	Pricing
<i>Styles</i>		
<i>Classic Collection</i>		
<b>T</b> Tapered Foot	11	46
<b>C</b> Decorative Collar	12	50
<b>BL</b> Ball Foot	13	54
<b>B</b> Bun Foot	14	58
<i>Traditional Collection</i>		
<b>E</b> Essex	15	62
<b>W</b> Westport	16	64
<b>CAP</b> Capital	17	66
<b>K</b> Kingston	18	68
<b>V</b> Victorian	19	70
<b>REN</b> Renaissance	20	71
<b>P</b> Providence	21	72
<b>N</b> Newport	22	74
<b>BAY</b> Bayonne	23	76
<b>FR</b> Franklin	23	77
<i>Modern Collection</i>		
<b>S</b> Studio	24	78
<b>M</b> Minimal	25	82
<b>MET</b> Metro	26	84
<b>MOD</b> Modern	27	88
<b>SQ</b> Square	28	90
<b>L</b> Linear	29	92
<b>J</b> Jamestown	30	93
<b>AV</b> Avery	31	94
<b>BR</b> Bristol	32	95
<i>Wall Mount Collection</i>		
<b>REG</b> Regency	33	96
<b>A</b> Apex	34	97
<b>SG</b> Signature	35	98
<i>Finishes, Options &amp; Accessories</i>		
Finishes & Materials	36	100
Shelving & Supports	38	102
Options & Accessories	40	104
<i>Appendices</i>		
Order Forms: Palmer & Stone Forest		108
Packing & Shipping		110
Policies & Procedures		111
China Sinks		113
Anatomy of a Leg System		114
Tubing Diameter Reference		115



As a designer, engineer, and manufacturer of custom architectural metalwork, Palmer specializes in the production of America's finest Custom Vanity Sink Legs.

Sink Legs do not simply play a supporting role in the design of your vanity; they play the defining role. The choice between elegant legs or just a wood box changes everything...

A Palmer leg system will integrate perfectly with your unique choices of personal colors, wall, floor, and counter materials, plumbing fixtures, and style.

Palmer washstands will support any choice of counter material, such as granite, marble, quartz, porcelain, cement, composite, glass, metal, or wood. You provide the counter, and Palmer will design the perfect leg system exactly to your unique specifications... an ideal marriage.

Engineered in solid brass and richly finished in a full palette of lustrous platings and hand-rubbed patinas, Palmer Industries brings you the finest in custom vanity sink legs, perfectly at home in your elegant master bedroom suite or your understated powder room.

Table of Contents

Styles	Images	Pricing
<i>Classic Collection</i>		
<b>T</b> Tapered Foot	11	46
<b>C</b> Decorative Collar	12	50
<b>BL</b> Ball Foot	13	54
<b>B</b> Bun Foot	14	58
<i>Traditional Collection</i>		
<b>E</b> Essex	15	62
<b>W</b> Westport	16	64
<b>CAP</b> Capital	17	66
<b>K</b> Kingston	18	68
<b>V</b> Victorian	19	70
<b>REN</b> Renaissance	20	71
<b>P</b> Providence	21	72
<b>N</b> Newport	22	74
<b>BAY</b> Bayonne	23	76
<b>FR</b> Franklin	23	77
<i>Modern Collection</i>		
<b>S</b> Studio	24	78
<b>M</b> Minimal	25	82
<b>MET</b> Metro	26	84
<b>MOD</b> Modern	27	88
<b>SQ</b> Square	28	90
<b>L</b> Linear	29	92
<b>J</b> Jamestown	30	93
<b>AV</b> Avery	31	94
<b>BR</b> Bristol	32	95
<i>Wall Mount Collection</i>		
<b>REG</b> Regency	33	96
<b>A</b> Apex	34	97
<b>SG</b> Signature	35	98

Finishes, Options & Accessories

Finishes & Materials	36	100
Shelving & Supports	38	102
Options & Accessories	40	104

Appendices

Order Forms: Palmer & Stone Forest	108
Packing & Shipping	110
Policies & Procedures	111
China Sinks	113
Anatomy of a Leg System	114
Tubing Diameter Reference	115





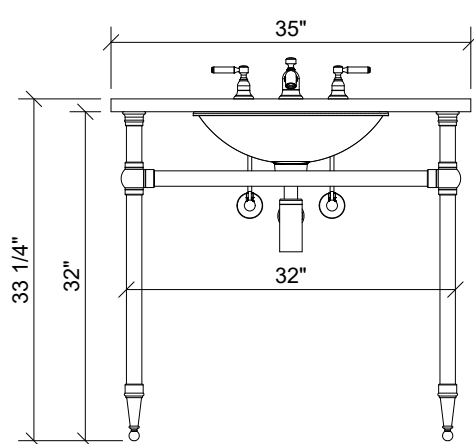
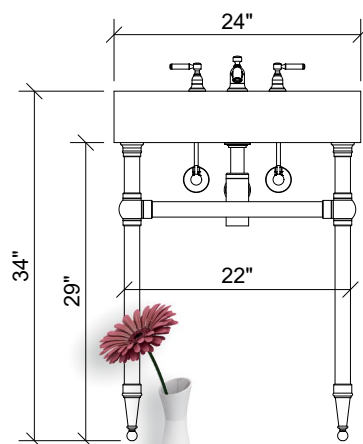
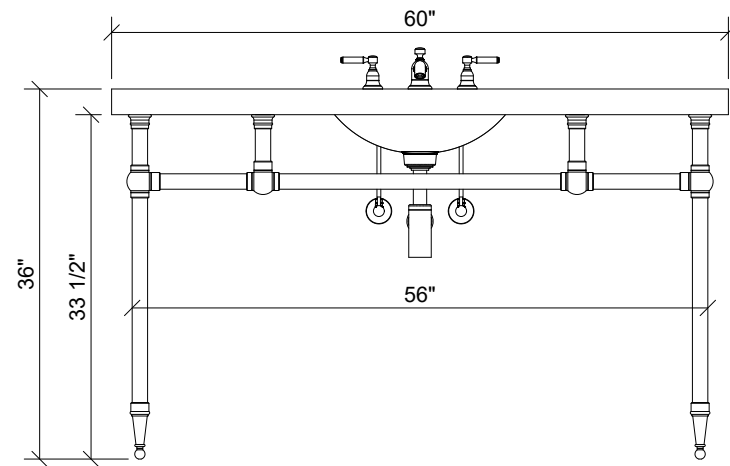
At Palmer, Custom Sizing is not "Custom"...

Each and every leg system is built to order...  
one at a time...  
to your exact size

One artisan...  
One leg system...  
One individual  
"work of art"



Tapered Foot



Because Palmer hand builds ALL leg systems to order, we can easily adjust the width, depth, and finished height to suit your customer's exact needs for a modest additional cost.

Give us your counter dimensions and we'll deliver an exact fit.



R-020723

R-020723

Palmer is a Boutique Designer & Manufacturer



If You Can Dream It,  
Palmer Can Build It...



Tapered Foot

From your inspiration to the final polishing touch, Palmer's dedicated team of engineers and artisans can take your project from conception to completion.

Provide us with your simple sketch, magazine clipping, or concept images from social media, and Palmer will quickly propose a solution to accommodate your design intent.

any style, any size, any configuration, and any finish...

Table of Contents

Styles	Images	Pricing
<i>Classic Collection</i>		
<b>T</b> Tapered Foot	11	46
<b>C</b> Decorative Collar	12	50
<b>BL</b> Ball Foot	13	54
<b>B</b> Bun Foot	14	58
<i>Traditional Collection</i>		
<b>E</b> Essex	15	62
<b>W</b> Westport	16	64
<b>CAP</b> Capital	17	66
<b>K</b> Kingston	18	68
<b>V</b> Victorian	19	70
<b>REN</b> Renaissance	20	71
<b>P</b> Providence	21	72
<b>N</b> Newport	22	74
<b>BAY</b> Bayonne	23	76
<b>FR</b> Franklin	23	77
<i>Modern Collection</i>		
<b>S</b> Studio	24	78
<b>M</b> Minimal	25	82
<b>MET</b> Metro	26	84
<b>MOD</b> Modern	27	88
<b>SQ</b> Square	28	90
<b>L</b> Linear	29	92
<b>J</b> Jamestown	30	93
<b>AV</b> Avery	31	94
<b>BR</b> Bristol	32	95
<i>Wall Mount Collection</i>		
<b>REG</b> Regency	33	96
<b>A</b> Apex	34	97
<b>SG</b> Signature	35	98

*Finishes, Options & Accessories*

Finishes & Materials	36	100
Shelving & Supports	38	102
Options & Accessories	40	104

*Appendices*

Order Forms: Palmer & Stone Forest	108
Packing & Shipping	110
Policies & Procedures	111
China Sinks	113
Anatomy of a Leg System	114
Tubing Diameter Reference	115



Palmer specializes in meeting your custom design needs:



Studio

PALMER  
WE DO ALL THE LEG WORK FOR YOU



R-020723

R-020723

# STYLES

a gallery of images



Westport



## Table of Contents

### Styles

#### Classic Collection

	Images	Pricing
<b>T</b> Tapered Foot	11	46
<b>C</b> Decorative Collar	12	50
<b>BL</b> Ball Foot	13	54
<b>B</b> Bun Foot	14	58

#### Traditional Collection

<b>E</b> Essex	15	62
<b>W</b> Westport	16	64
<b>CAP</b> Capital	17	66
<b>K</b> Kingston	18	68
<b>V</b> Victorian	19	70
<b>REN</b> Renaissance	20	71
<b>P</b> Providence	21	72
<b>N</b> Newport	22	74
<b>BAY</b> Bayonne	23	76
<b>FR</b> Franklin	23	77

#### Modern Collection

<b>S</b> Studio	24	78
<b>M</b> Minimal	25	82
<b>MET</b> Metro	26	84
<b>MOD</b> Modern	27	88
<b>SQ</b> Square	28	90
<b>L</b> Linear	29	92
<b>J</b> Jamestown	30	93
<b>AV</b> Avery	31	94
<b>BR</b> Bristol	32	95

#### Wall Mount Collection

<b>REG</b> Regency	33	96
<b>A</b> Apex	34	97
<b>SG</b> Signature	35	98

#### Finishes, Options & Accessories

Finishes & Materials	36	100
Shelving & Supports	38	102
Options & Accessories	40	104

#### Appendices

Order Forms: Palmer & Stone Forest	108
Packing & Shipping	110
Policies & Procedures	111
China Sinks	113
Anatomy of a Leg System	114
Tubing Diameter Reference	115



# STYLES

a gallery of images

## Classic Collection

<b>T</b> Tapered Foot	11
<b>C</b> Decorative Collar	12
<b>BL</b> Ball Foot	13
<b>B</b> Bun Foot	14

## Traditional Collection

<b>E</b> Essex	15
<b>W</b> Westport	16
<b>CAP</b> Capital	17
<b>K</b> Kingston	18
<b>V</b> Victorian	19
<b>REN</b> Renaissance	20
<b>P</b> Providence	21
<b>N</b> Newport	22
<b>BAY</b> Bayonne	23
<b>FR</b> Franklin	23

## Modern Collection

<b>S</b> Studio	24
<b>M</b> Minimal	25
<b>MET</b> Metro	26
<b>MOD</b> Modern	27
<b>SQ</b> Square	28
<b>L</b> Linear	29
<b>J</b> Jamestown	30
<b>AV</b> Avery	31
<b>BR</b> Bristol	32

## Wall Mount Collection

<b>REG</b> Regency	33
<b>A</b> Apex	34
<b>SG</b> Signature	35



# TAPERED FOOT

**T**

The *Tapered Foot* console, with its classic foot detail and distinctive ball corner joints, remains Palmer's most popular style.



LS21T with MTI Modern counter

available in 1½" diameter and 1" diameter tubing

see pg. 46 for pricing & details

LS2T

## Table of Contents

### Styles

	Images	Pricing
<i>Classic Collection</i>		
<b>T</b> Tapered Foot	11	46
<b>C</b> Decorative Collar	12	50
<b>BL</b> Ball Foot	13	54
<b>B</b> Bun Foot	14	58
<i>Traditional Collection</i>		
<b>E</b> Essex	15	62
<b>W</b> Westport	16	64
<b>CAP</b> Capital	17	66
<b>K</b> Kingston	18	68
<b>V</b> Victorian	19	70
<b>REN</b> Renaissance	20	71
<b>P</b> Providence	21	72
<b>N</b> Newport	22	74
<b>BAY</b> Bayonne	23	76
<b>FR</b> Franklin	23	77
<i>Modern Collection</i>		
<b>S</b> Studio	24	78
<b>M</b> Minimal	25	82
<b>MET</b> Metro	26	84
<b>MOD</b> Modern	27	88
<b>SQ</b> Square	28	90
<b>L</b> Linear	29	92
<b>J</b> Jamestown	30	93
<b>AV</b> Avery	31	94
<b>BR</b> Bristol	32	95
<i>Wall Mount Collection</i>		
<b>REG</b> Regency	33	96
<b>A</b> Apex	34	97
<b>SG</b> Signature	35	98

### Finishes, Options & Accessories

Finishes & Materials	36	100
Shelving & Supports	38	102
Options & Accessories	40	104

### Appendices

Order Forms: Palmer & Stone Forest	108
Packing & Shipping	110
Policies & Procedures	111
China Sinks	113
Anatomy of a Leg System	114
Tubing Diameter Reference	115



# DECORATIVE COLLAR

C

The crisply machined decorative collars, positioned below the corner joints and used as feet, define the *Decorative Collar* style.



LS5C + TS5 + SS5R + TRL + TRR

shown above with optional hotel style shelf, rail shelf supports, and auxiliary towel rails

available in 1½" diameter and 1" diameter tubing

see pg. 50 for pricing & details

LS2C

# BALL FOOT

BL

The *Ball Foot* style features Palmer's unique ball-and-socket corner joints, with their sharp lines and visual heft, paired with perfectly matching ball feet.



LS2BL + SD

shown with split diameter option

available in 1½" diameter and 1" diameter tubing

see pg. 54 for pricing & details

LS2BL + SD

## Table of Contents

### Styles

#### Classic Collection

	Images	Pricing
<b>T</b> Tapered Foot	11	46
<b>C</b> Decorative Collar	12	50
<b>BL</b> Ball Foot	13	54
<b>B</b> Bun Foot	14	58

#### Traditional Collection

<b>E</b> Essex	15	62
<b>W</b> Westport	16	64
<b>CAP</b> Capital	17	66
<b>K</b> Kingston	18	68
<b>V</b> Victorian	19	70
<b>REN</b> Renaissance	20	71
<b>P</b> Providence	21	72
<b>N</b> Newport	22	74
<b>BAY</b> Bayonne	23	76
<b>FR</b> Franklin	23	77

#### Modern Collection

<b>S</b> Studio	24	78
<b>M</b> Minimal	25	82
<b>MET</b> Metro	26	84
<b>MOD</b> Modern	27	88
<b>SQ</b> Square	28	90
<b>L</b> Linear	29	92
<b>J</b> Jamestown	30	93
<b>AV</b> Avery	31	94
<b>BR</b> Bristol	32	95

#### Wall Mount Collection

<b>REG</b> Regency	33	96
<b>A</b> Apex	34	97
<b>SG</b> Signature	35	98

### Finishes, Options & Accessories

Finishes & Materials	36	100
Shelving & Supports	38	102
Options & Accessories	40	104

### Appendices

Order Forms: Palmer & Stone Forest	108
Packing & Shipping	110
Policies & Procedures	111
China Sinks	113
Anatomy of a Leg System	114
Tubing Diameter Reference	115



# BUN FOOT

**B**

The bun foot has long been a classic architectural feature in fine furniture design, and Palmer's *Bun Foot* console features a robust and elegant version of this prominent component.



LS2B + FR



LS2B

shown above with Palmer custom mirror supports and optional front riser

available in 1½" diameter and 1" diameter tubing

see pg. 58 for pricing & details



# ESSEX

**E**

The *Essex* features a refined tapered leg paired with a slender foot and perfectly coordinated fittings.



LS2E

1½" diameter legs tapering to 1" diameter at the foot

1" diameter crossbars

see pg. 62 for pricing & details



R-020723

R-020723

## Table of Contents

### Styles

	Images	Pricing
<i>Classic Collection</i>		
<b>T</b> Tapered Foot	11	46
<b>C</b> Decorative Collar	12	50
<b>BL</b> Ball Foot	13	54
<b>B</b> Bun Foot	14	58
<i>Traditional Collection</i>		
<b>E</b> Essex	15	62
<b>W</b> Westport	16	64
<b>CAP</b> Capital	17	66
<b>K</b> Kingston	18	68
<b>V</b> Victorian	19	70
<b>REN</b> Renaissance	20	71
<b>P</b> Providence	21	72
<b>N</b> Newport	22	74
<b>BAY</b> Bayonne	23	76
<b>FR</b> Franklin	23	77
<i>Modern Collection</i>		
<b>S</b> Studio	24	78
<b>M</b> Minimal	25	82
<b>MET</b> Metro	26	84
<b>MOD</b> Modern	27	88
<b>SQ</b> Square	28	90
<b>L</b> Linear	29	92
<b>J</b> Jamestown	30	93
<b>AV</b> Avery	31	94
<b>BR</b> Bristol	32	95
<i>Wall Mount Collection</i>		
<b>REG</b> Regency	33	96
<b>A</b> Apex	34	97
<b>SG</b> Signature	35	98

### Finishes, Options & Accessories

Finishes & Materials	36	100
Shelving & Supports	38	102
Options & Accessories	40	104

### Appendices

Order Forms: Palmer & Stone Forest	108
Packing & Shipping	110
Policies & Procedures	111
China Sinks	113
Anatomy of a Leg System	114
Tubing Diameter Reference	115





# WESTPORT

W

The *Westport* features a round head transitioning to a slender leg, with complementary fittings, and a single horizontal crossbar.



LS2W



LS2W

1½" diameter head  
1" diameter legs  
1" diameter crossbars

see pg. 64 for pricing & details



R-020723  
R-020723



LS2CAP

shown above with Palmer custom wall-mounted Towel Rack

1½" square head  
1" diameter legs  
1" diameter crossbars

see pg. 66 for pricing & details

# CAPITAL

CAP

The *Capital* style is defined by its prominent square head, slender leg, and distinctive double horizontal crossbars.



LS2CAP

## Table of Contents

### Styles

	Images	Pricing
<b>Classic Collection</b>		
<b>T</b> Tapered Foot	11	46
<b>C</b> Decorative Collar	12	50
<b>BL</b> Ball Foot	13	54
<b>B</b> Bun Foot	14	58
<b>Traditional Collection</b>		
<b>E</b> Essex	15	62
<b>W</b> Westport	16	64
<b>CAP</b> Capital	17	66
<b>K</b> Kingston	18	68
<b>V</b> Victorian	19	70
<b>REN</b> Renaissance	20	71
<b>P</b> Providence	21	72
<b>N</b> Newport	22	74
<b>BAY</b> Bayonne	23	76
<b>FR</b> Franklin	23	77
<b>Modern Collection</b>		
<b>S</b> Studio	24	78
<b>M</b> Minimal	25	82
<b>MET</b> Metro	26	84
<b>MOD</b> Modern	27	88
<b>SQ</b> Square	28	90
<b>L</b> Linear	29	92
<b>J</b> Jamestown	30	93
<b>AV</b> Avery	31	94
<b>BR</b> Bristol	32	95
<b>Wall Mount Collection</b>		
<b>REG</b> Regency	33	96
<b>A</b> Apex	34	97
<b>SG</b> Signature	35	98

### Finishes, Options & Accessories

Finishes & Materials	36	100
Shelving & Supports	38	102
Options & Accessories	40	104

### Appendices

Order Forms: Palmer & Stone Forest	108
Packing & Shipping	110
Policies & Procedures	111
China Sinks	113
Anatomy of a Leg System	114
Tubing Diameter Reference	115



# KINGSTON

K

Vintage tapered legs with decorative collars, classic ball-and-socket joints, a tapered foot, and slender crossbars all combine to create the *Kingston*.



LS2K

1½" diameter legs tapering to 1" diameter at the foot

1" diameter crossbars

see pg. 68 for pricing & details

LS2K

# VICTORIAN

V

The *Victorian* offers an artfully crafted and open design, featuring auxiliary towel rails and split collar shelf supports, while incorporating ample storage space below.



LS41V

1" diameter legs  
5/8" diameter towel rails

see pg. 70 for pricing & details

shown with stone shelf supplied by customer

LS41V

## Table of Contents

### Styles

#### Classic Collection

	Images	Pricing
<b>T</b> Tapered Foot	11	46
<b>C</b> Decorative Collar	12	50
<b>BL</b> Ball Foot	13	54
<b>B</b> Bun Foot	14	58

#### Traditional Collection

<b>E</b> Essex	15	62
<b>W</b> Westport	16	64
<b>CAP</b> Capital	17	66
<b>K</b> Kingston	18	68
<b>V</b> Victorian	19	70
<b>REN</b> Renaissance	20	71
<b>P</b> Providence	21	72
<b>N</b> Newport	22	74
<b>BAY</b> Bayonne	23	76
<b>FR</b> Franklin	23	77

#### Modern Collection

<b>S</b> Studio	24	78
<b>M</b> Minimal	25	82
<b>MET</b> Metro	26	84
<b>MOD</b> Modern	27	88
<b>SQ</b> Square	28	90
<b>L</b> Linear	29	92
<b>J</b> Jamestown	30	93
<b>AV</b> Avery	31	94
<b>BR</b> Bristol	32	95

#### Wall Mount Collection

<b>REG</b> Regency	33	96
<b>A</b> Apex	34	97
<b>SG</b> Signature	35	98

#### Finishes, Options & Accessories

Finishes & Materials	36	100
Shelving & Supports	38	102
Options & Accessories	40	104

#### Appendices

Order Forms: Palmer & Stone Forest	108
Packing & Shipping	110
Policies & Procedures	111
China Sinks	113
Anatomy of a Leg System	114
Tube Diameter Reference	115



# RENAISSANCE

REN

The *Renaissance* console, with its broadly sweeping center curve flanked by pairs of legs on either side, represents a classic and timeless architectural style.



LS41REN



LS41REN



2-Leg Petite Renaissance - LS21REN (call)

shown above with a Stone Forest Renaissance sink and featuring a matching Palmer wall-mounted Towel Rack and free-standing Palmer Étagère

1" diameter legs  
1" diameter crossbars

see pg. 71 for pricing & details

# PROVIDENCE

P

The *Providence* model, featuring a striking square head, turned neck, and mildly tapered legs, seamlessly incorporates stone aprons (a "skirt") concealing the sink basin and hardware below the counter.



LS2P



LS2P

2" square head

1½" diameter legs tapering to 1" diameter at the foot

stone top & aprons by others

see pg. 72 for pricing & details

## Table of Contents

### Styles

#### Classic Collection

	Images	Pricing
<b>T</b> Tapered Foot	11	46
<b>C</b> Decorative Collar	12	50
<b>BL</b> Ball Foot	13	54
<b>B</b> Bun Foot	14	58

#### Traditional Collection

<b>E</b> Essex	15	62
<b>W</b> Westport	16	64
<b>CAP</b> Capital	17	66
<b>K</b> Kingston	18	68
<b>V</b> Victorian	19	70
<b>REN</b> Renaissance	20	71
<b>P</b> Providence	21	72
<b>N</b> Newport	22	74
<b>BAY</b> Bayonne	23	76
<b>FR</b> Franklin	23	77

#### Modern Collection

<b>S</b> Studio	24	78
<b>M</b> Minimal	25	82
<b>MET</b> Metro	26	84
<b>MOD</b> Modern	27	88
<b>SQ</b> Square	28	90
<b>L</b> Linear	29	92
<b>J</b> Jamestown	30	93
<b>AV</b> Avery	31	94
<b>BR</b> Bristol	32	95

#### Wall Mount Collection

<b>REG</b> Regency	33	96
<b>A</b> Apex	34	97
<b>SG</b> Signature	35	98

### Finishes, Options & Accessories

Finishes & Materials	36	100
Shelving & Supports	38	102
Options & Accessories	40	104

### Appendices

Order Forms: Palmer & Stone Forest	108
Packing & Shipping	110
Policies & Procedures	111
China Sinks	113
Anatomy of a Leg System	114
Tubing Diameter Reference	115



# NEWPORT

N

A vanity console featuring the combination of classic metal finishes with the rich natural beauty of tapered walnut heartwood legs and horizontal crossbar.



LS2N + HB



LS2N + HB

Our rich walnut heartwood is a natural product; the color tone and wood grain will vary as each piece is unique

shown with optional hammered ball fittings

1 1/2" diameter legs tapering to 1" diameter at the foot

1" diameter crossbars

combination wood & metal front crossbar

see pg. 74 for pricing & details



R-020723

R-020723



# BAYONNE

BAY

The Bayonne console features four walnut legs and curved side-bars that complement the unique shape of the Stone Forest Bayonne top.

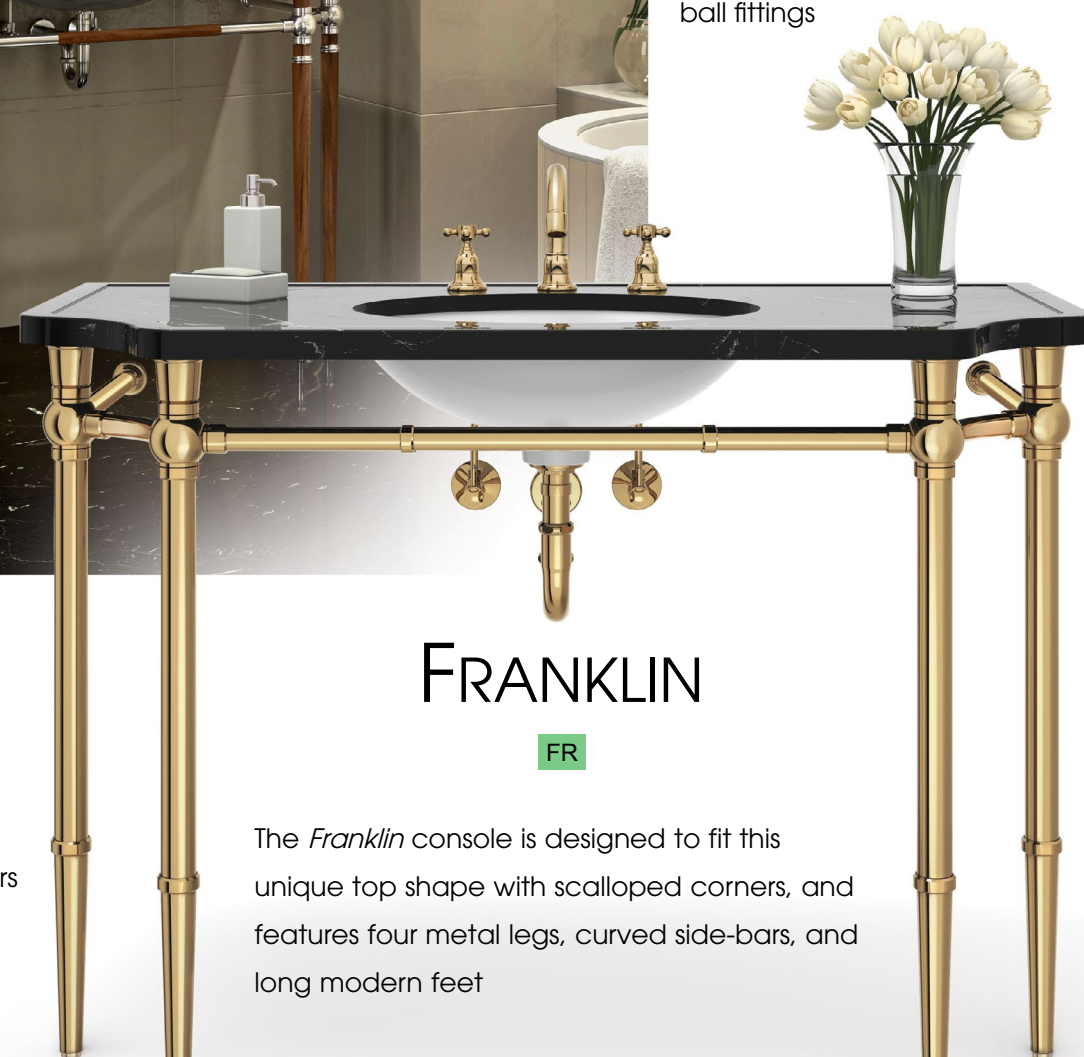
1 1/2" diameter legs tapering to 1" diameter at the foot

1" diameter crossbars

shown with optional hammered ball fittings



LS4BAY + HB



LS4FR

# FRANKLIN

FR

The Franklin console is designed to fit this unique top shape with scalloped corners, and features four metal legs, curved side-bars, and long modern feet

1 1/2" diameter legs  
1" diameter crossbars

see pgs. 76 & 77 for pricing & details

### Styles

#### Classic Collection

	Images	Pricing
T Tapered Foot	11	46
C Decorative Collar	12	50
BL Ball Foot	13	54
B Bun Foot	14	58

#### Traditional Collection

E Essex	15	62
W Westport	16	64
CAP Capital	17	66
K Kingston	18	68
V Victorian	19	70
REN Renaissance	20	71
P Providence	21	72
N Newport	22	74
BAY Bayonne	23	76
FR Franklin	23	77

#### Modern Collection

S Studio	24	78
M Minimal	25	82
MET Metro	26	84
MOD Modern	27	88
SQ Square	28	90
L Linear	29	92
J Jamestown	30	93
AV Avery	31	94
BR Bristol	32	95

#### Wall Mount Collection

REG Regency	33	96
A Apex	34	97
SG Signature	35	98

### Finishes, Options & Accessories

Finishes & Materials	36	100
Shelving & Supports	38	102
Options & Accessories	40	104

### Appendices

Order Forms: Palmer & Stone Forest	108
Packing & Shipping	110
Policies & Procedures	111
China Sinks	113
Anatomy of a Leg System	114
Tubing Diameter Reference	115



# STUDIO

S

The *Studio* console elevates modern industrial utility to a state of luxurious design with its sharp refined lines, and understated fittings.



LS2SNR with Catalano Zero 100 sink

available in 1½" diameter and 1" diameter tubing

see pg. 78 for pricing & details

LS2SNR



R-020723  
R-020723



LS2M with Duravit DuraStyle sink

1½" diameter legs tapering to 1" diameter at the foot

1" diameter crossbars

see pg. 82 for pricing & details

# MINIMAL

M

The *Minimal* model, with its unadorned tapered legs and clean fittings, affords a sleek and fashionable sense for today's modern bathrooms.



LS2M

## Table of Contents

### Styles

#### Classic Collection

	Images	Pricing
<b>T</b> Tapered Foot	11	46
<b>C</b> Decorative Collar	12	50
<b>BL</b> Ball Foot	13	54
<b>B</b> Bun Foot	14	58

#### Traditional Collection

<b>E</b> Essex	15	62
<b>W</b> Westport	16	64
<b>CAP</b> Capital	17	66
<b>K</b> Kingston	18	68
<b>V</b> Victorian	19	70
<b>REN</b> Renaissance	20	71
<b>P</b> Providence	21	72
<b>N</b> Newport	22	74
<b>BAY</b> Bayonne	23	76
<b>FR</b> Franklin	23	77

#### Modern Collection

<b>S</b> Studio	24	78
<b>M</b> Minimal	25	82
<b>MET</b> Metro	26	84
<b>MOD</b> Modern	27	88
<b>SQ</b> Square	28	90
<b>L</b> Linear	29	92
<b>J</b> Jamestown	30	93
<b>AV</b> Avery	31	94
<b>BR</b> Bristol	32	95

#### Wall Mount Collection

<b>REG</b> Regency	33	96
<b>A</b> Apex	34	97
<b>SG</b> Signature	35	98

### Finishes, Options & Accessories

Finishes & Materials	36	100
Shelving & Supports	38	102
Options & Accessories	40	104

### Appendices

Order Forms: Palmer & Stone Forest	108
Packing & Shipping	110
Policies & Procedures	111
China Sinks	113
Anatomy of a Leg System	114
Tubing Diameter Reference	115



# METRO

MET

The *Metro* console offers clean uninterrupted lines and simple styling, in a diminutive scale well suited to smaller spaces.



LS21MET + TS2 + SS2LP

shown with optional hotel style shelf and low profile shelf supports

available in 1" diameter legs with 5/8" diameter offset crossbars (as shown), and also 1½" diameter legs with 1" diameter offset crossbars

see pg. 84 for pricing & details



LS21MET + TS2 + SS2LP with Duravit Vero sink



R-020723

R-020723



LS2MOD

1½" diameter legs  
1" diameter crossbars

see pg. 88 for pricing & details

# MODERN

MOD

Inspired by Danish Modern design, the *Modern* console features a long sleek foot, smooth contours, and simple geometric patterns.



LS2MOD

## Table of Contents

### Styles

#### Classic Collection

	Images	Pricing
<b>T</b> Tapered Foot	11	46
<b>C</b> Decorative Collar	12	50
<b>BL</b> Ball Foot	13	54
<b>B</b> Bun Foot	14	58

#### Traditional Collection

<b>E</b> Essex	15	62
<b>W</b> Westport	16	64
<b>CAP</b> Capital	17	66
<b>K</b> Kingston	18	68
<b>V</b> Victorian	19	70
<b>REN</b> Renaissance	20	71
<b>P</b> Providence	21	72
<b>N</b> Newport	22	74
<b>BAY</b> Bayonne	23	76
<b>FR</b> Franklin	23	77

#### Modern Collection

<b>S</b> Studio	24	78
<b>M</b> Minimal	25	82
<b>MET</b> Metro	26	84
<b>MOD</b> Modern	27	88
<b>SQ</b> Square	28	90
<b>L</b> Linear	29	92
<b>J</b> Jamestown	30	93
<b>AV</b> Avery	31	94
<b>BR</b> Bristol	32	95

#### Wall Mount Collection

<b>REG</b> Regency	33	96
<b>A</b> Apex	34	97
<b>SG</b> Signature	35	98

### Finishes, Options & Accessories

Finishes & Materials	36	100
Shelving & Supports	38	102
Options & Accessories	40	104

### Appendices

Order Forms: Palmer & Stone Forest	108
Packing & Shipping	110
Policies & Procedures	111
China Sinks	113
Anatomy of a Leg System	114
Tubing Diameter Reference	115



# SQUARE

SQ

The contemporary *Square* model is defined by its strong horizontal and vertical lines created by the crisp-edge square tubing, and punctuated by complementary square and stylish fittings.



LS2SQ



LS2SQ with Duravit Vero sink

1 1/2" square legs  
1" square crossbars

see pg. 90 for pricing & details



R-020723  
R-020723



LS41L + GS4

1" square legs  
1" square crossbars

shown with custom fabricated marble top and optional glass shelf

see pg. 92 for pricing & details

# LINEAR

L

The integration of the strong rectilinear lines of square tubing with concealed flush joinery creates the cutting edge look and appeal of the *Linear* console.



LS41L + GS4

### Styles

#### Classic Collection

	Images	Pricing
<b>T</b> Tapered Foot	11	46
<b>C</b> Decorative Collar	12	50
<b>BL</b> Ball Foot	13	54
<b>B</b> Bun Foot	14	58

#### Traditional Collection

<b>E</b> Essex	15	62
<b>W</b> Westport	16	64
<b>CAP</b> Capital	17	66
<b>K</b> Kingston	18	68
<b>V</b> Victorian	19	70
<b>REN</b> Renaissance	20	71
<b>P</b> Providence	21	72
<b>N</b> Newport	22	74
<b>BAY</b> Bayonne	23	76
<b>FR</b> Franklin	23	77

#### Modern Collection

<b>S</b> Studio	24	78
<b>M</b> Minimal	25	82
<b>MET</b> Metro	26	84
<b>MOD</b> Modern	27	88
<b>SQ</b> Square	28	90
<b>L</b> Linear	29	92
<b>J</b> Jamestown	30	93
<b>AV</b> Avery	31	94
<b>BR</b> Bristol	32	95

#### Wall Mount Collection

<b>REG</b> Regency	33	96
<b>A</b> Apex	34	97
<b>SG</b> Signature	35	98

#### Finishes, Options & Accessories

Finishes & Materials	36	100
Shelving & Supports	38	102
Options & Accessories	40	104

#### Appendices

Order Forms: Palmer & Stone Forest	108
Packing & Shipping	110
Policies & Procedures	111
China Sinks	113
Anatomy of a Leg System	114
Tubing Diameter Reference	115



# JAMESTOWN

J

The smooth refined lines of the Danish Modern foot and a gracefully curved crossbar define the *Jamestown* style, and achieve a tasteful blending of traditional form with modern appeal.



LS2J + WS2 + SS2LP

1 1/2" diameter legs  
1" diameter crossbars

shown at left with Stone Forest Harbor sink, optional Teak wood shelf, & low profile shelf supports

see pg. 93 for pricing & details



LS2J + GS2 + SS2C-G



R-020723

R-020723

1 1/2" diameter legs  
5/8" diameter crossbars

shown at right with Thompson Traders Escondido Sink

see pg. 94 for pricing & details

contact Palmer for information about Vertical Towel Pole



LS2AV

# AVERY

AV

Combining custom fittings and contrasting tubing diameters, the *Avery's* geometric motif echoes the timeless appeal of Art Deco Design and the elegance of the Gilded Age.



LS2AV



details of Avery fittings

### Styles

#### Classic Collection

	Images	Pricing
<b>T</b> Tapered Foot	11	46
<b>C</b> Decorative Collar	12	50
<b>BL</b> Ball Foot	13	54
<b>B</b> Bun Foot	14	58

#### Traditional Collection

<b>E</b> Essex	15	62
<b>W</b> Westport	16	64
<b>CAP</b> Capital	17	66
<b>K</b> Kingston	18	68
<b>V</b> Victorian	19	70
<b>REN</b> Renaissance	20	71
<b>P</b> Providence	21	72
<b>N</b> Newport	22	74
<b>BAY</b> Bayonne	23	76
<b>FR</b> Franklin	23	77

#### Modern Collection

<b>S</b> Studio	24	78
<b>M</b> Minimal	25	82
<b>MET</b> Metro	26	84
<b>MOD</b> Modern	27	88
<b>SQ</b> Square	28	90
<b>L</b> Linear	29	92
<b>J</b> Jamestown	30	93
<b>AV</b> Avery	31	94
<b>BR</b> Bristol	32	95

#### Wall Mount Collection

<b>REG</b> Regency	33	96
<b>A</b> Apex	34	97
<b>SG</b> Signature	35	98

#### Finishes, Options & Accessories

Finishes & Materials	36	100
Shelving & Supports	38	102
Options & Accessories	40	104

#### Appendices

Order Forms: Palmer & Stone Forest	108
Packing & Shipping	110
Policies & Procedures	111
China Sinks	113
Anatomy of a Leg System	114
Tubing Diameter Reference	115





# BRISTOL

BR

Featuring precisely tapered legs, rectangular metal aprons, and hexagonal details, the *Bristol* style expresses a clean blend of modern design and industrial chic.



LS2BR + GS2 + SS2C-G

1½" diameter legs tapering to 1" diameter at the foot

shown at left with optional glass shelf, & clip shelf supports

see pg. 95 for pricing & details

LS2BR



R-020723

R-020723



WMREG

1" diameter crossbar

# REGENCY

REG

The *Regency* model, with its soft curves and masculine flair, offers a wall-hung vanity option for applications when a leg system is not practical, or a raised architectural concept is preferred.



WMREG

shown with Stone Forest Petite Renaissance sink

see pg. 96 for pricing & details

## Table of Contents

### Styles

#### Classic Collection

Style	Images	Pricing
<b>T</b> Tapered Foot	11	46
<b>C</b> Decorative Collar	12	50
<b>BL</b> Ball Foot	13	54
<b>B</b> Bun Foot	14	58

#### Traditional Collection

<b>E</b> Essex	15	62
<b>W</b> Westport	16	64
<b>CAP</b> Capital	17	66
<b>K</b> Kingston	18	68
<b>V</b> Victorian	19	70
<b>REN</b> Renaissance	20	71
<b>P</b> Providence	21	72
<b>N</b> Newport	22	74
<b>BAY</b> Bayonne	23	76
<b>FR</b> Franklin	23	77

#### Modern Collection

<b>S</b> Studio	24	78
<b>M</b> Minimal	25	82
<b>MET</b> Metro	26	84
<b>MOD</b> Modern	27	88
<b>SQ</b> Square	28	90
<b>L</b> Linear	29	92
<b>J</b> Jamestown	30	93
<b>AV</b> Avery	31	94
<b>BR</b> Bristol	32	95

#### Wall Mount Collection

<b>REG</b> Regency	33	96
<b>A</b> Apex	34	97
<b>SG</b> Signature	35	98

#### Finishes, Options & Accessories

Finishes & Materials	36	100
Shelving & Supports	38	102
Options & Accessories	40	104

#### Appendices

Order Forms: Palmer & Stone Forest	108
Packing & Shipping	110
Policies & Procedures	111
China Sinks	113
Anatomy of a Leg System	114
Tubing Diameter Reference	115



# APEX

A

Featuring minimal exposed metalwork and a structurally sound geometric form, the Apex offers a space-saving and simple wall-hung approach to vanity installations.

The Apex style is available with decorative collars as shown at right, or without collars as shown below.



1" diameter tubing

WMA

WMA

shown with Stone Forest Vintage 27 sink

see pg. 97 for pricing & details



R-020723

R-020723

# SIGNATURE

SG

The Signature Wall Mount offers a simple yet refined solution to supporting wall-hung vanities, featuring Palmer's machined ball-and-socket details.



WMSG with Duravit Vero sink

1" diameter tubing

WMSG

see pg. 98 for pricing & details

Styles

Classic Collection

	Images	Pricing
<b>T</b> Tapered Foot	11	46
<b>C</b> Decorative Collar	12	50
<b>BL</b> Ball Foot	13	54
<b>B</b> Bun Foot	14	58

Traditional Collection

<b>E</b> Essex	15	62
<b>W</b> Westport	16	64
<b>CAP</b> Capital	17	66
<b>K</b> Kingston	18	68
<b>V</b> Victorian	19	70
<b>REN</b> Renaissance	20	71
<b>P</b> Providence	21	72
<b>N</b> Newport	22	74
<b>BAY</b> Bayonne	23	76
<b>FR</b> Franklin	23	77

Modern Collection

<b>S</b> Studio	24	78
<b>M</b> Minimal	25	82
<b>MET</b> Metro	26	84
<b>MOD</b> Modern	27	88
<b>SQ</b> Square	28	90
<b>L</b> Linear	29	92
<b>J</b> Jamestown	30	93
<b>AV</b> Avery	31	94
<b>BR</b> Bristol	32	95

Wall Mount Collection

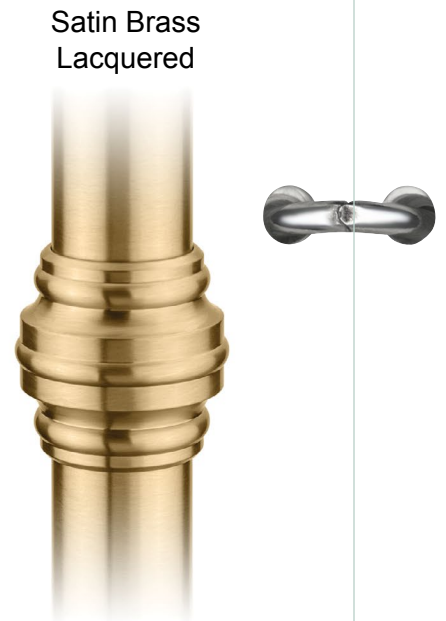
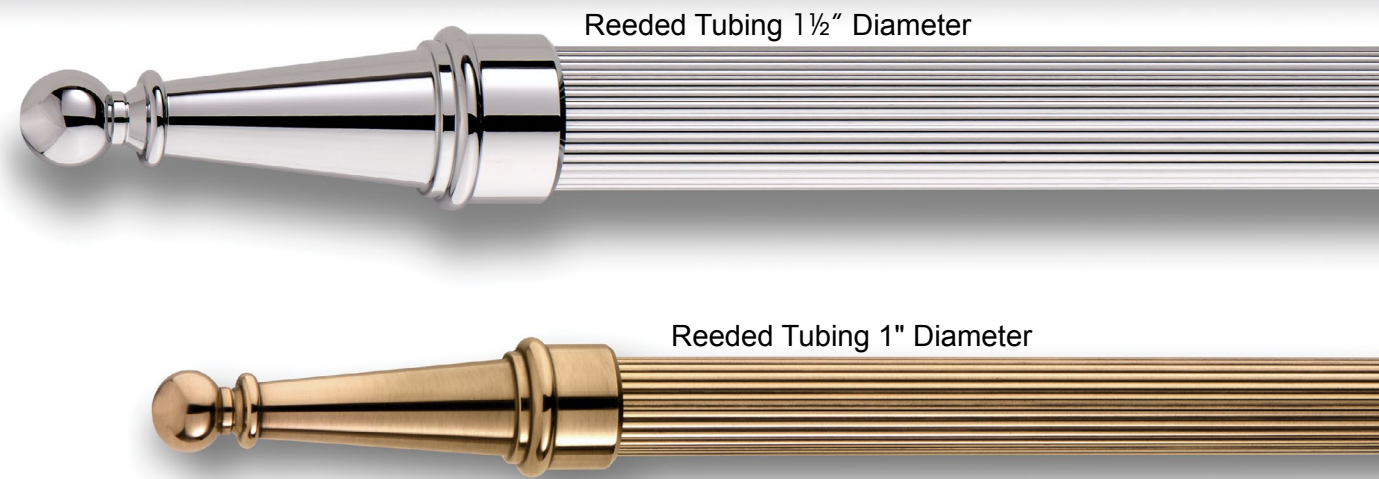
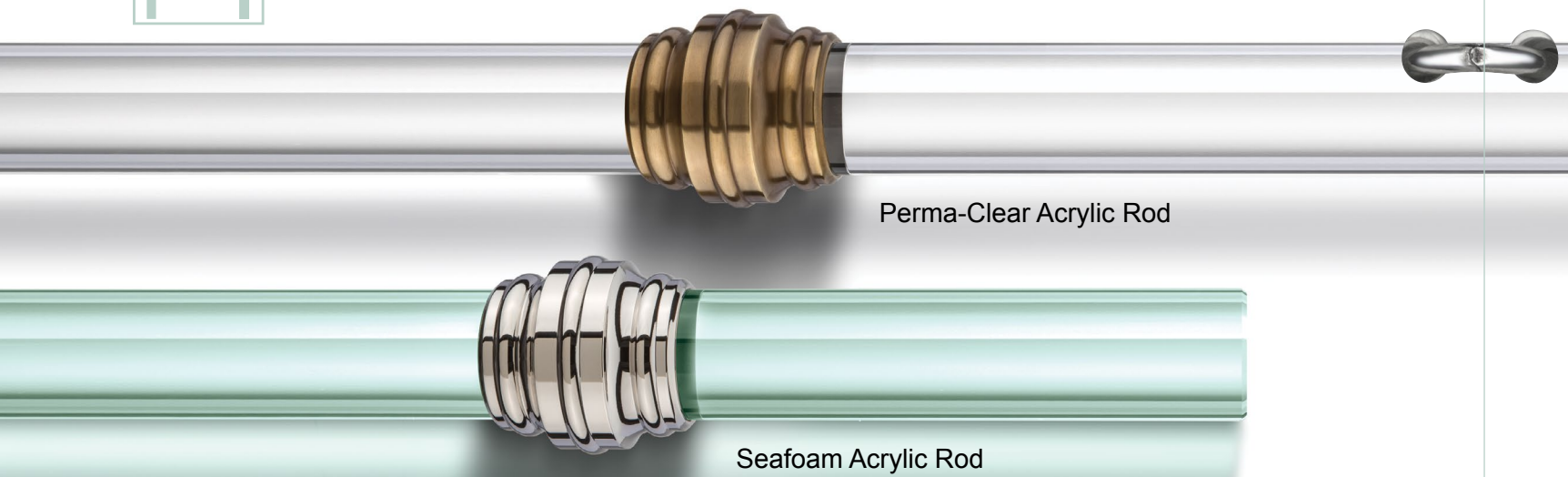
<b>REG</b> Regency	33	96
<b>A</b> Apex	34	97
<b>SG</b> Signature	35	98

Finishes, Options & Accessories

Finishes & Materials	36	100
Shelving & Supports	38	102
Options & Accessories	40	104

Appendices

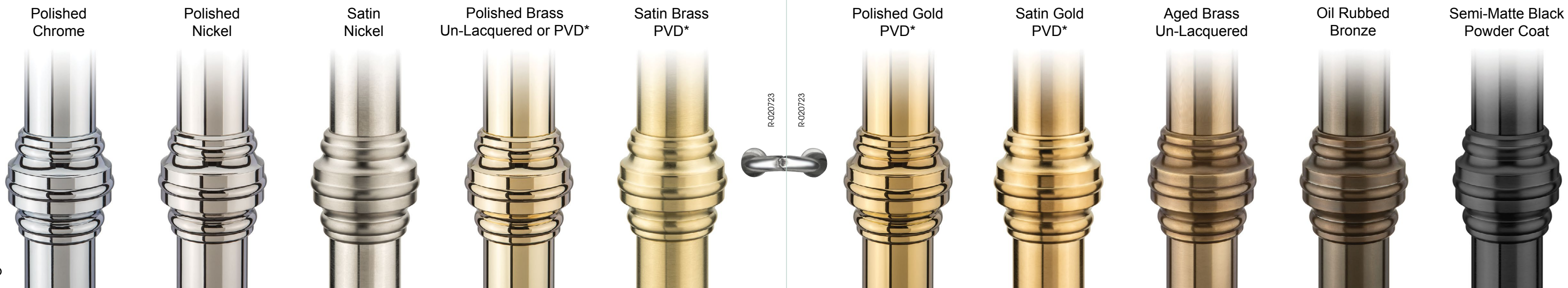
Order Forms: Palmer & Stone Forest	108
Packing & Shipping	110
Policies & Procedures	111
China Sinks	113
Anatomy of a Leg System	114
Tubing Diameter Reference	115



# The Polished Look of Palmer Perfection

The Palmer Palette includes a rich range of luxurious and durable platings, PVD coatings, and hand-rubbed "living finish" patinas. With the addition of clear and colored acrylic rods, reeded tubing, and our many functional accessories, your design choices are virtually unlimited...

\* contact Palmer for pricing and delivery of Premium PVD and Custom finishes



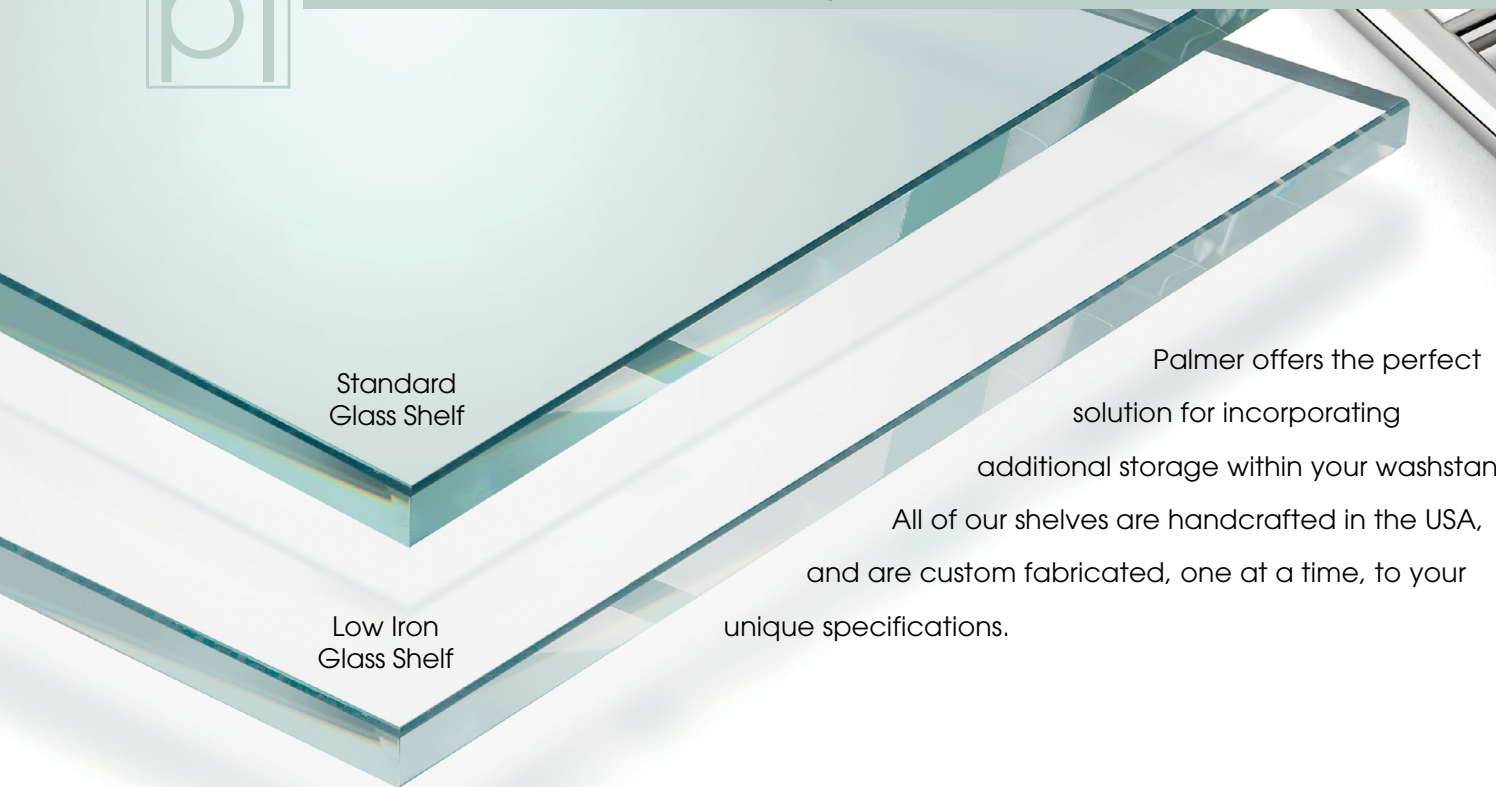
Styles		Images	Pricing
<i>Classic Collection</i>			
<b>T</b>	Tapered Foot	11	46
<b>C</b>	Decorative Collar	12	50
<b>BL</b>	Ball Foot	13	54
<b>B</b>	Bun Foot	14	58
<i>Traditional Collection</i>			
<b>E</b>	Essex	15	62
<b>W</b>	Westport	16	64
<b>CAP</b>	Capital	17	66
<b>K</b>	Kingston	18	68
<b>V</b>	Victorian	19	70
<b>REN</b>	Renaissance	20	71
<b>P</b>	Providence	21	72
<b>N</b>	Newport	22	74
<b>BAY</b>	Bayonne	23	76
<b>FR</b>	Franklin	23	77
<i>Modern Collection</i>			
<b>S</b>	Studio	24	78
<b>M</b>	Minimal	25	82
<b>MET</b>	Metro	26	84
<b>MOD</b>	Modern	27	88
<b>SQ</b>	Square	28	90
<b>L</b>	Linear	29	92
<b>J</b>	Jamestown	30	93
<b>AV</b>	Avery	31	94
<b>BR</b>	Bristol	32	95
<i>Wall Mount Collection</i>			
<b>REG</b>	Regency	33	96
<b>A</b>	Apex	34	97
<b>SG</b>	Signature	35	98

### Finishes, Options & Accessories

Finishes & Materials	36	100
Shelving & Supports	38	102
Options & Accessories	40	104

### Appendices

Order Forms: Palmer & Stone Forest	108
Packing & Shipping	110
Policies & Procedures	111
China Sinks	113
Anatomy of a Leg System	114
Tubing Diameter Reference	115



Standard Glass Shelf

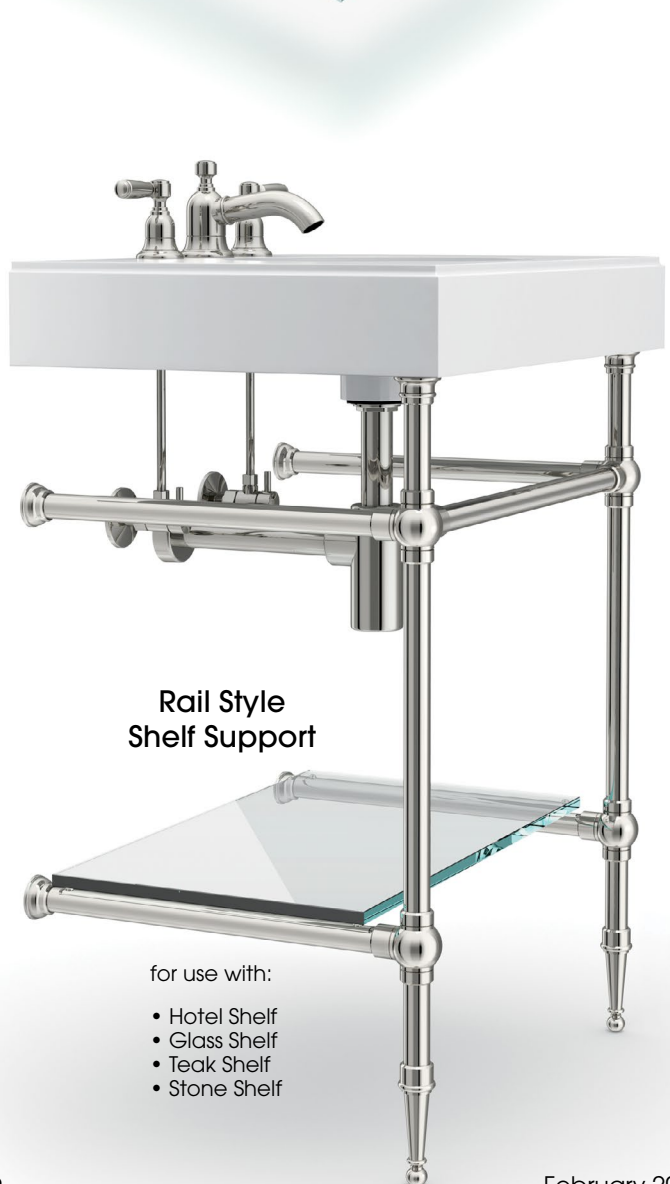
Low Iron Glass Shelf

Palmer offers the perfect solution for incorporating additional storage within your washstand. All of our shelves are handcrafted in the USA, and are custom fabricated, one at a time, to your unique specifications.



Hotel Style Tubular Metal Shelf

Teak Wood Shelf



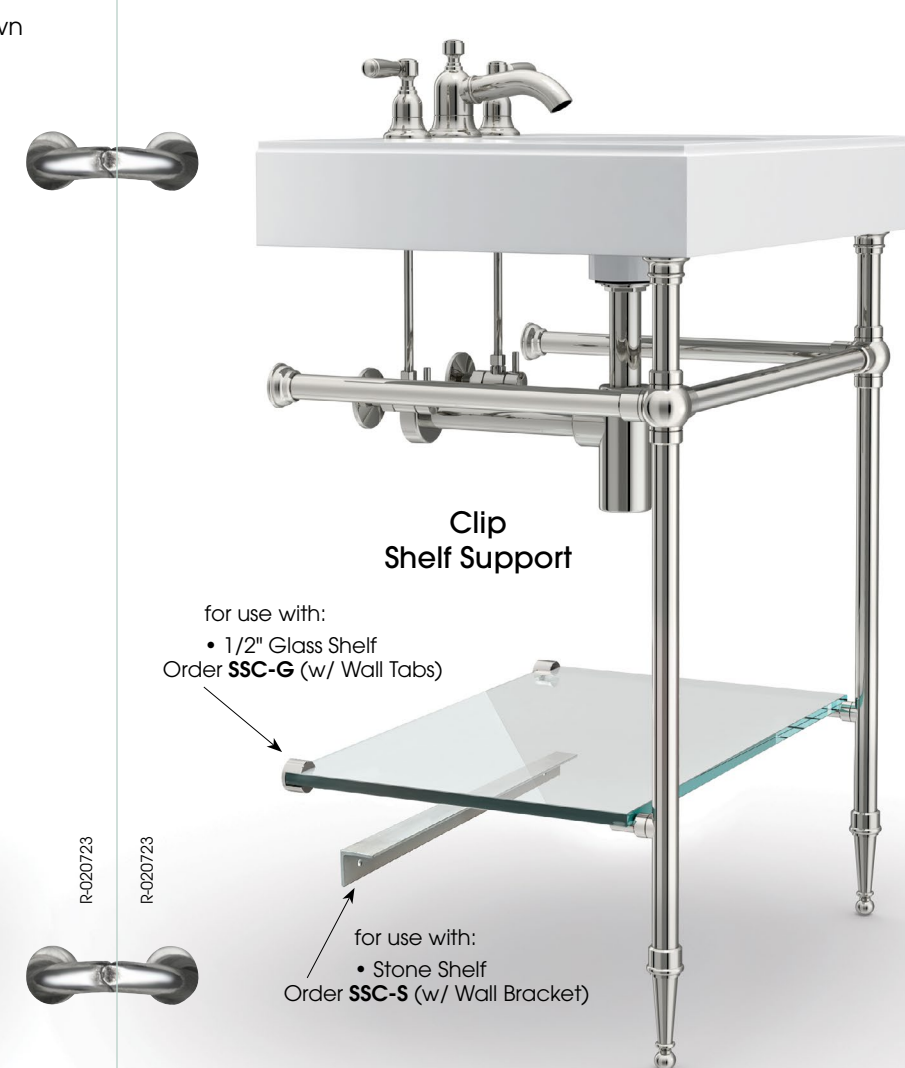
Rail Style Shelf Support

- for use with:
- Hotel Shelf
  - Glass Shelf
  - Teak Shelf
  - Stone Shelf



Low Profile Shelf Support

- for use with:
- Hotel Shelf
  - Glass Shelf
  - Teak Shelf
  - Stone Shelf



Clip Shelf Support

- for use with:
- 1/2" Glass Shelf
- Order **SSC-G** (w/ Wall Tabs)

- for use with:
- Stone Shelf
- Order **SSC-S** (w/ Wall Bracket)



Split Collar Shelf Support

- for use with:
- Stone Shelf

stone shelf provided by others

Palmer Industries has engineered four unique

shelf support systems to meet your shelving needs.

Styles

Classic Collection

	Images	Pricing
<b>T</b> Tapered Foot	11	46
<b>C</b> Decorative Collar	12	50
<b>BL</b> Ball Foot	13	54
<b>B</b> Bun Foot	14	58

Traditional Collection

<b>E</b> Essex	15	62
<b>W</b> Westport	16	64
<b>CAP</b> Capital	17	66
<b>K</b> Kingston	18	68
<b>V</b> Victorian	19	70
<b>REN</b> Renaissance	20	71
<b>P</b> Providence	21	72
<b>N</b> Newport	22	74
<b>BAY</b> Bayonne	23	76
<b>FR</b> Franklin	23	77

Modern Collection

<b>S</b> Studio	24	78
<b>M</b> Minimal	25	82
<b>MET</b> Metro	26	84
<b>MOD</b> Modern	27	88
<b>SQ</b> Square	28	90
<b>L</b> Linear	29	92
<b>J</b> Jamestown	30	93
<b>AV</b> Avery	31	94
<b>BR</b> Bristol	32	95

Wall Mount Collection

<b>REG</b> Regency	33	96
<b>A</b> Apex	34	97
<b>SG</b> Signature	35	98

Finishes, Options & Accessories

Finishes & Materials	36	100
Shelving & Supports	38	102
Options & Accessories	40	104

Appendices

Order Forms: Palmer & Stone Forest	108
Packing & Shipping	110
Policies & Procedures	111
China Sinks	113
Anatomy of a Leg System	114
Tubing Diameter Reference	115



Solid Acrylic Rod

Solid Brass Wall Bracket finished to match legs

Auxiliary Towel Rail

Palmer Custom Mirror Supports

Toilet Paper Holder

Front Riser

Hammered Ball Fitting

Curved Crossbar

1½" Diameter

Split Diameter Tubing

1" Diameter

Styles		Images	Pricing
<i>Classic Collection</i>			
<b>T</b>	Tapered Foot	11	46
<b>C</b>	Decorative Collar	12	50
<b>BL</b>	Ball Foot	13	54
<b>B</b>	Bun Foot	14	58
<i>Traditional Collection</i>			
<b>E</b>	Essex	15	62
<b>W</b>	Westport	16	64
<b>CAP</b>	Capital	17	66
<b>K</b>	Kingston	18	68
<b>V</b>	Victorian	19	70
<b>REN</b>	Renaissance	20	71
<b>P</b>	Providence	21	72
<b>N</b>	Newport	22	74
<b>BAY</b>	Bayonne	23	76
<b>FR</b>	Franklin	23	77
<i>Modern Collection</i>			
<b>S</b>	Studio	24	78
<b>M</b>	Minimal	25	82
<b>MET</b>	Metro	26	84
<b>MOD</b>	Modern	27	88
<b>SQ</b>	Square	28	90
<b>L</b>	Linear	29	92
<b>J</b>	Jamestown	30	93
<b>AV</b>	Avery	31	94
<b>BR</b>	Bristol	32	95
<i>Wall Mount Collection</i>			
<b>REG</b>	Regency	33	96
<b>A</b>	Apex	34	97
<b>SG</b>	Signature	35	98

*Finishes, Options & Accessories*

Finishes & Materials	36	100
Shelving & Supports	38	102
Options & Accessories	40	104

*Appendices*

Order Forms: Palmer & Stone Forest	108
Packing & Shipping	110
Policies & Procedures	111
China Sinks	113
Anatomy of a Leg System	114
Tubing Diameter Reference	115



Avery



R-020723  
R-020723

# PRICING

by Style



Providence



## Table of Contents

### Styles

#### Classic Collection

	Images	Pricing
<b>T</b> Tapered Foot	11	46
<b>C</b> Decorative Collar	12	50
<b>BL</b> Ball Foot	13	54
<b>B</b> Bun Foot	14	58

#### Traditional Collection

<b>E</b> Essex	15	62
<b>W</b> Westport	16	64
<b>CAP</b> Capital	17	66
<b>K</b> Kingston	18	68
<b>V</b> Victorian	19	70
<b>REN</b> Renaissance	20	71
<b>P</b> Providence	21	72
<b>N</b> Newport	22	74
<b>BAY</b> Bayonne	23	76
<b>FR</b> Franklin	23	77

#### Modern Collection

<b>S</b> Studio	24	78
<b>M</b> Minimal	25	82
<b>MET</b> Metro	26	84
<b>MOD</b> Modern	27	88
<b>SQ</b> Square	28	90
<b>L</b> Linear	29	92
<b>J</b> Jamestown	30	93
<b>AV</b> Avery	31	94
<b>BR</b> Bristol	32	95

#### Wall Mount Collection

<b>REG</b> Regency	33	96
<b>A</b> Apex	34	97
<b>SG</b> Signature	35	98

#### Finishes, Options & Accessories

Finishes & Materials	36	100
Shelving & Supports	38	102
Options & Accessories	40	104

#### Appendices

Order Forms: Palmer & Stone Forest	108
Packing & Shipping	110
Policies & Procedures	111
China Sinks	113
Anatomy of a Leg System	114
Tubing Diameter Reference	115

## CUSTOM METALWORK



Victorian



R-020723  
R-020723

**Classic Collection**

<b>T</b>	Tapered Foot	46
<b>C</b>	Decorative Collar	50
<b>BL</b>	Ball Foot	54
<b>B</b>	Bun Foot	58

**Traditional Collection**

<b>E</b>	Essex	62
<b>W</b>	Westport	64
<b>CAP</b>	Capital	66
<b>K</b>	Kingston	68
<b>V</b>	Victorian	70
<b>REN</b>	Renaissance	71
<b>P</b>	Providence	72
<b>N</b>	Newport	74
<b>BAY</b>	Bayonne	76
<b>FR</b>	Franklin	77

**Modern Collection**

<b>S</b>	Studio	78
<b>M</b>	Minimal	82
<b>MET</b>	Metro	84
<b>MOD</b>	Modern	88
<b>SQ</b>	Square	90
<b>L</b>	Linear	92
<b>J</b>	Jamestown	93
<b>AV</b>	Avery	94
<b>BR</b>	Bristol	95

**Wall Mount Collection**

<b>REG</b>	Regency	96
<b>A</b>	Apex	97
<b>SG</b>	Signature	98

*Styles*

	Images	Pricing
<i>Classic Collection</i>		
<b>T</b>	Tapered Foot	11 46
<b>C</b>	Decorative Collar	12 50
<b>BL</b>	Ball Foot	13 54
<b>B</b>	Bun Foot	14 58
<i>Traditional Collection</i>		
<b>E</b>	Essex	15 62
<b>W</b>	Westport	16 64
<b>CAP</b>	Capital	17 66
<b>K</b>	Kingston	18 68
<b>V</b>	Victorian	19 70
<b>REN</b>	Renaissance	20 71
<b>P</b>	Providence	21 72
<b>N</b>	Newport	22 74
<b>BAY</b>	Bayonne	23 76
<b>FR</b>	Franklin	23 77
<i>Modern Collection</i>		
<b>S</b>	Studio	24 78
<b>M</b>	Minimal	25 82
<b>MET</b>	Metro	26 84
<b>MOD</b>	Modern	27 88
<b>SQ</b>	Square	28 90
<b>L</b>	Linear	29 92
<b>J</b>	Jamestown	30 93
<b>AV</b>	Avery	31 94
<b>BR</b>	Bristol	32 95
<i>Wall Mount Collection</i>		
<b>REG</b>	Regency	33 96
<b>A</b>	Apex	34 97
<b>SG</b>	Signature	35 98

*Finishes, Options & Accessories*

Finishes & Materials	36	100
Shelving & Supports	38	102
Options & Accessories	40	104

*Appendices*

Order Forms: Palmer & Stone Forest	108
Packing & Shipping	110
Policies & Procedures	111
China Sinks	113
Anatomy of a Leg System	114
Tubing Diameter Reference	115

For any configuration or other custom design features not covered in this guide, please contact Palmer for a quote.

full specifications & CAD drawings for all standard models are available online at palmerindustries.com



# Tapered Foot

SEE PHOTO ON PG. 11



LEG SYSTEM CONFIGURATIONS

## 1.5" DIAMETER TUBING

See page 48 for 1.0" diameter

### STEP #1: SELECT LEG SYSTEM CONFIGURATION

choose the configuration that best suits your counter size and number of sinks

**1-LEG**  
ANY WIDTH COUNTER  
Wall Bracket not included with single legs - see pg. 106  
1 1/2"  
32" OR SPECIFY

**2-LEG**  
UP TO 60" W COUNTERS  
1 OR 2 SINKS  
Standard Counter Size: 36"W x 24"D  
32" OR SPECIFY  
22" OR SPECIFY  
1 1/2"

**3-LEG**  
UP TO 90" W COUNTERS  
2 SINKS  
Standard Counter Size: 72"W x 24"D  
32" OR SPECIFY  
68" OR SPECIFY  
22" OR SPECIFY  
1 1/2"

**4-LEG**  
UP TO 60" W COUNTERS  
1 OR 2 SINKS  
Standard Counter Size: 36"W x 24"D  
32" OR SPECIFY  
22" OR SPECIFY  
1 1/2"

**5-LEG**  
UP TO 90" W COUNTERS  
2 SINKS  
Standard Counter Size: 72"W x 24"D  
32" OR SPECIFY  
68" OR SPECIFY  
22" OR SPECIFY  
1 1/2"

Standard Wall Bracket(s) included with all leg systems

Custom Configurations are available - if you don't see what you want please call Palmer Customer Support

February 2023 Price List

PalmerIndustries.com

# Tapered Foot

SEE PHOTO ON PG. 11



BASE PRICING & SIZE CHARGES

## 1.5" DIAMETER TUBING

See page 49 for 1.0" diameter

### STEP #2: ESTABLISH BASE PRICE OF LEG SYSTEM

using the configuration from step #1, select the finish to determine base price

LEGS	DIA	MODEL	DESCRIPTION	PC - PN	PBUL	ABUL-ORB-SBL-SN-MB
1-LEG	1.5"	T150	LEG SINGLE 1.5" TAPERED FOOT	\$664	\$732	\$865
2-LEG	1.5"	LS2T	LEG SYS 2-LEG 1.5" TAPERED FOOT w/ REAR RISERS	\$2,819	\$3,102	\$3,666
		LS2TNR	LEG SYS 2-LEG 1.5" TAPERED FOOT NO REAR RISERS	\$2,364	\$2,600	\$3,073
3-LEG	1.5"	LS3T	LEG SYS 3-LEG 1.5" TAPERED FOOT w/ REAR RISERS	\$4,467	\$4,913	\$5,808
		LS3TNR	LEG SYS 3-LEG 1.5" TAPERED FOOT NO REAR RISERS	\$3,784	\$4,162	\$4,919
4-LEG	1.5"	LS4T	LEG SYS 4-LEG 1.5" TAPERED FOOT	\$3,971	\$4,369	\$5,163
5-LEG	1.5"	LS5T	LEG SYS 5-LEG 1.5" TAPERED FOOT	\$5,661	\$6,228	\$7,359

PC = POLISHED CHROME  
PN = POLISHED NICKEL  
PBUL = POLISHED BRASS UN-LACQUERED

ABUL = AGED BRASS UN-LACQUERED  
ORB = OIL RUBBED BRONZE  
SBL = SATIN BRASS LACQUERED

SN = SATIN NICKEL  
MB = SEMI-MATTE BLACK POWDER COAT

PVD FINISHES ARE AVAILABLE - please see page 100

can be field cut to reduce size

### STEP #3: ADD SIZE CHARGES TO BASE PRICE OF LEG SYSTEM

if your counter width is other than the "standard" size shown below, please add the appropriate size charges to the base price

COUNTER WIDTH	LEGS	COUNTER WIDTH	LEGS	COUNTER WIDTH			
	2-LEG - OR - 4-LEG	LESS THAN 36"	\$157	3-LEG	LESS THAN 72"	\$157	
36" (STANDARD SIZE)			\$0		72" (STANDARD SIZE)	\$0	
UP TO 42"		\$201	- OR - 5-LEG	UP TO 78"	\$201		
		UP TO 48" *			\$263	UP TO 84"	\$263
		UP TO 60" *			\$376	UP TO 90"	\$376

COUNTER DEPTH NO CHARGE FOR COUNTER DEPTHS UP TO 24"

LEG HEIGHT NO CHARGE FOR LEG HEIGHTS UP TO 36"

For sizes larger than shown, and/or custom configurations, please contact Palmer for a quote

\* front riser(s) should be considered for counters 48" or wider (see pg. 104)

IF YOU ARE NOT ORDERING ANY OPTIONS YOU ARE DONE

- calculate shipping costs on pg. 110 & complete the order form on pg. 108

### STEP #4: SELECT YOUR OPTIONS & ACCESSORIES

ONLY the options & accessories listed below may be used with this TAPERED FOOT style

TURN TO OPTIONS TAB (pg. 102)

Please select only from the Options & Accessories listed here for use with this TAPERED FOOT style



Turn to the Options & Finishes Tab Page for pricing & details

#### Towel Shelf Options:

- Tubular Metal Shelf (TS)
- Glass Shelf (GS)
- Teak Wood Shelf (WS)

#### Shelf Support Options: required for all shelves

- Rail Shelf Support (SS\_R)
- Low Profile Shelf Support (SS\_LP)
- Clip Shelf Support (SS\_C)
- Split Collar Shelf Support (SS\_SC)

#### Additional Options & Accessories:

- Front Riser (FR)
- Split Diameter (SD)
- ADA Compliant Configuration (ADA)
- Curved Crossbar (CURV)
- Solid Acrylic Rod (ACR)
- Reeded Tubing (RT)
- Hammered Ball Fittings (HB)
- Wall Brackets: non-standard (WB)
- Auxiliary Towel Rail (TR)
- TP Holder (TP)

## Table of Contents

Styles

Style	Images	Pricing
<b>Classic Collection</b>		
T Tapered Foot	11	46
C Decorative Collar	12	50
BL Ball Foot	13	54
B Bun Foot	14	58
<b>Traditional Collection</b>		
E Essex	15	62
W Westport	16	64
CAP Capital	17	66
K Kingston	18	68
V Victorian	19	70
REN Renaissance	20	71
P Providence	21	72
N Newport	22	74
BAY Bayonne	23	76
FR Franklin	23	77
<b>Modern Collection</b>		
S Studio	24	78
M Minimal	25	82
MET Metro	26	84
MOD Modern	27	88
SQ Square	28	90
L Linear	29	92
J Jamestown	30	93
AV Avery	31	94
BR Bristol	32	95
<b>Wall Mount Collection</b>		
REG Regency	33	96
A Apex	34	97
SG Signature	35	98

#### Finishes, Options & Accessories

Finishes & Materials	36	100
Shelving & Supports	38	102
Options & Accessories	40	104

#### Appendices

Order Forms: Palmer & Stone Forest	108
Packing & Shipping	110
Policies & Procedures	111
China Sinks	113
Anatomy of a Leg System	114
Tubing Diameter Reference	115







# Tapered Foot

SEE PHOTO ON PG. 11



## LEG SYSTEM CONFIGURATIONS

### 1.0" DIAMETER TUBING

See page 46 for 1.5" diameter

#### STEP #1: SELECT LEG SYSTEM CONFIGURATION

choose the configuration that best suits your counter size and number of sinks

#### 1-LEG

ANY WIDTH COUNTER

Wall Bracket not included with single legs - see pg. 106

32" OR SPECIFY

1"

#### 2-LEG

UP TO 60" W COUNTERS

1 OR 2 SINKS

Standard Counter Size: 36"W x 24"D

32" OR SPECIFY

32" OR SPECIFY

22" OR SPECIFY

1"

#### 3-LEG

UP TO 90" W COUNTERS

2 SINKS

Standard Counter Size: 72"W x 24"D

32" OR SPECIFY

68" OR SPECIFY

22" OR SPECIFY

1"

#### 4-LEG

UP TO 60" W COUNTERS

1 OR 2 SINKS

Standard Counter Size: 36"W x 24"D

32" OR SPECIFY

22" OR SPECIFY

1"

#### 5-LEG

UP TO 90" W COUNTERS

2 SINKS

Standard Counter Size: 72"W x 24"D

32" OR SPECIFY

68" OR SPECIFY

22" OR SPECIFY

1"

Standard Wall Bracket(s) included with all leg systems

Custom Configurations are available - if you don't see what you want please call Palmer Customer Support

February 2023 Price List

PalmerIndustries.com

# Tapered Foot

SEE PHOTO ON PG. 11



## BASE PRICING & SIZE CHARGES

### 1.0" DIAMETER TUBING

See page 47 for 1.5" diameter

#### STEP #2: ESTABLISH BASE PRICE OF LEG SYSTEM

using the configuration from step #1, select the finish to determine base price

LEGS	DIA	MODEL	DESCRIPTION	PC - PN	PBUL	ABUL-ORB-SBL-SN-MB
1-LEG	1.0"	T100	LEG SINGLE 1.0" TAPERED FOOT	\$494	\$545	\$643
2-LEG	1.0"	LS21T	LEG SYS 2-LEG 1.0" TAPERED FOOT w/ REAR RISERS	\$1,969	\$2,167	\$2,561
		LS21TNR	LEG SYS 2-LEG 1.0" TAPERED FOOT NO REAR RISERS	\$1,680	\$1,849	\$2,185
3-LEG	1.0"	LS31T	LEG SYS 3-LEG 1.0" TAPERED FOOT w/ REAR RISERS	\$3,142	\$3,455	\$4,084
		LS31TNR	LEG SYS 3-LEG 1.0" TAPERED FOOT NO REAR RISERS	\$2,707	\$2,978	\$3,519
4-LEG	1.0"	LS41T	LEG SYS 4-LEG 1.0" TAPERED FOOT	\$2,701	\$2,970	\$3,512
5-LEG	1.0"	LS51T	LEG SYS 5-LEG 1.0" TAPERED FOOT	\$3,891	\$4,280	\$5,059

PC = POLISHED CHROME  
 PN = POLISHED NICKEL  
 PBUL = POLISHED BRASS UN-LACQUERED

ABUL = AGED BRASS UN-LACQUERED  
 ORB = OIL RUBBED BRONZE  
 SBL = SATIN BRASS LACQUERED

SN = SATIN NICKEL  
 MB = SEMI-MATTE BLACK POWDER COAT

PVD FINISHES ARE AVAILABLE - please see page 100

can be field cut to reduce size

#### STEP #3: ADD SIZE CHARGES TO BASE PRICE OF LEG SYSTEM

if your counter width is other than the "standard" size shown below, please add the appropriate size charges to the base price

COUNTER WIDTH	LEGS	COUNTER WIDTH	LEGS	COUNTER WIDTH
	2-LEG - OR - 4-LEG	- OR -	LESS THAN 36"	3-LEG - OR - 5-LEG
36" (STANDARD SIZE)			72" (STANDARD SIZE)	
UP TO 42"			UP TO 78"	
UP TO 48"			UP TO 84"	
UP TO 60"			UP TO 90"	
COUNTER DEPTH	NO CHARGE FOR COUNTER DEPTHS UP TO 24"			
LEG HEIGHT	NO CHARGE FOR LEG HEIGHTS UP TO 36"			

For sizes larger than shown, and/or custom configurations, please contact Palmer for a quote

IF YOU ARE NOT ORDERING ANY OPTIONS YOU ARE DONE - calculate shipping costs on pg. 110 & complete the order form on pg. 108

#### STEP #4: SELECT YOUR OPTIONS & ACCESSORIES

ONLY the options & accessories listed below may be used with this TAPERED FOOT style

TURN TO OPTIONS TAB (pg. 102)

Please select only from the Options & Accessories listed here for use with this TAPERED FOOT style



Turn to the Options & Finishes Tab Page for pricing & details

##### Towel Shelf Options:

- Tubular Metal Shelf (TS)
- Glass Shelf (GS)
- Teak Wood Shelf (WS)

##### Shelf Support Options:

- required for all shelves
- Rail Shelf Support (SS\_R)
- Low Profile Shelf Support (SS\_LP)
- Clip Shelf Support (SS\_C)
- Split Collar Shelf Support (SS\_SC)

##### Additional Options & Accessories:

- ADA Compliant Configuration (ADA)
- Curved Crossbar (CUR)
- Reeded Tubing (RT)
- Hammered Ball Fittings (HB)
- Wall Brackets: non-standard (WB)
- Auxiliary Towel Rail (TR)
- TP Holder (TP)

## Table of Contents

### Styles

Style	Images	Pricing
<i>Classic Collection</i>		
T Tapered Foot	11	46
C Decorative Collar	12	50
BL Ball Foot	13	54
B Bun Foot	14	58
<i>Traditional Collection</i>		
E Essex	15	62
W Westport	16	64
CAP Capital	17	66
K Kingston	18	68
V Victorian	19	70
REN Renaissance	20	71
P Providence	21	72
N Newport	22	74
BAY Bayonne	23	76
FR Franklin	23	77
<i>Modern Collection</i>		
S Studio	24	78
M Minimal	25	82
MET Metro	26	84
MOD Modern	27	88
SQ Square	28	90
L Linear	29	92
J Jamestown	30	93
AV Avery	31	94
BR Bristol	32	95
<i>Wall Mount Collection</i>		
REG Regency	33	96
A Apex	34	97
SG Signature	35	98

### Finishes, Options & Accessories

Finishes & Materials	36	100
Shelving & Supports	38	102
Options & Accessories	40	104

### Appendices

Order Forms: Palmer & Stone Forest	108
Packing & Shipping	110
Policies & Procedures	111
China Sinks	113
Anatomy of a Leg System	114
Tubing Diameter Reference	115



SEE PHOTO ON PG. 12



### 1.5" DIAMETER TUBING

See page 52 for 1.0" diameter

#### STEP #1: SELECT LEG SYSTEM CONFIGURATION

choose the configuration that best suits your counter size and number of sinks

**1-LEG**  
ANY WIDTH COUNTER  
Wall Bracket not included with single legs - see pg. 106  
1 1/2"  
32" OR SPECIFY

**2-LEG**  
UP TO 60" W COUNTERS  
1 OR 2 SINKS  
Standard Counter Size: 36"W x 24"D  
32" OR SPECIFY  
32" OR SPECIFY  
22" OR SPECIFY  
1 1/2"  
Front View  
Side View  
Optional Decorative Rear Risers

**3-LEG**  
UP TO 90" W COUNTERS  
2 SINKS  
Standard Counter Size: 72"W x 24"D  
32" OR SPECIFY  
68" OR SPECIFY  
22" OR SPECIFY  
1 1/2"  
Front View  
Side View  
Optional Decorative Rear Risers  
Includes Center Wall Return

**4-LEG**  
UP TO 60" W COUNTERS  
1 OR 2 SINKS  
Standard Counter Size: 36"W x 24"D  
32" OR SPECIFY  
22" OR SPECIFY  
1 1/2"  
Front View  
Side View

**5-LEG**  
UP TO 90" W COUNTERS  
2 SINKS  
Standard Counter Size: 72"W x 24"D  
32" OR SPECIFY  
68" OR SPECIFY  
22" OR SPECIFY  
1 1/2"  
Front View  
Side View

Standard Wall Bracket(s) included with all leg systems

Custom Configurations are available - if you don't see what you want please call Palmer Customer Support

February 2023 Price List

PalmerIndustries.com

SEE PHOTO ON PG. 12



### 1.5" DIAMETER TUBING

See page 53 for 1.0" diameter

#### STEP #2: ESTABLISH BASE PRICE OF LEG SYSTEM

using the configuration from step #1, select the finish to determine base price

LEGS	DIA	MODEL	DESCRIPTION	PC - PN	PBUL	ABUL-ORB-SBL-SN-MB
1-LEG	1.5"	C150	LEG SINGLE 1.5" DEC COLLAR	\$664	\$732	\$865
2-LEG	1.5"	LS2C	LEG SYS 2-LEG 1.5" DEC COLLAR w/ REAR RISERS	\$2,819	\$3,102	\$3,666
		LS2CNR	LEG SYS 2-LEG 1.5" DEC COLLAR NO REAR RISERS	\$2,364	\$2,600	\$3,073
3-LEG	1.5"	LS3C	LEG SYS 3-LEG 1.5" DEC COLLAR w/ REAR RISERS	\$4,467	\$4,913	\$5,808
		LS3CNR	LEG SYS 3-LEG 1.5" DEC COLLAR NO REAR RISERS	\$3,784	\$4,162	\$4,919
4-LEG	1.5"	LS4C	LEG SYS 4-LEG 1.5" DEC COLLAR	\$3,971	\$4,369	\$5,163
5-LEG	1.5"	LS5C	LEG SYS 5-LEG 1.5" DEC COLLAR	\$5,661	\$6,228	\$7,359

PC = POLISHED CHROME  
PN = POLISHED NICKEL  
PBUL = POLISHED BRASS UN-LACQUERED

ABUL = AGED BRASS UN-LACQUERED  
ORB = OIL RUBBED BRONZE  
SBL = SATIN BRASS LACQUERED

SN = SATIN NICKEL  
MB = SEMI-MATTE BLACK POWDER COAT

PVD FINISHES ARE AVAILABLE - please see page 100

can be field cut to reduce size

#### STEP #3: ADD SIZE CHARGES TO BASE PRICE OF LEG SYSTEM

if your counter width is other than the "standard" size shown below, please add the appropriate size charges to the base price

COUNTER WIDTH	LEGS	COUNTER WIDTH	LEGS	COUNTER WIDTH
	2-LEG - OR - 4-LEG		LESS THAN 36"	3-LEG - OR - 5-LEG
36" (STANDARD SIZE)			72" (STANDARD SIZE)	
UP TO 42"			UP TO 78"	
UP TO 48" *			UP TO 84"	
UP TO 60" *			UP TO 90"	

COUNTER DEPTH NO CHARGE FOR COUNTER DEPTHS UP TO 24"

LEG HEIGHT NO CHARGE FOR LEG HEIGHTS UP TO 36"

For sizes larger than shown, and/or custom configurations, please contact Palmer for a quote

\* front riser(s) should be considered for counters 48" or wider (see pg. 104)

IF YOU ARE NOT ORDERING ANY OPTIONS YOU ARE DONE

- calculate shipping costs on pg. 110 & complete the order form on pg. 108

#### STEP #4: SELECT YOUR OPTIONS & ACCESSORIES

ONLY the options & accessories listed below may be used with this DECORATIVE COLLAR style

TURN TO OPTIONS TAB (pg. 102)

Please select only from the Options & Accessories listed here for use with this DECORATIVE COLLAR style



Turn to the Options & Finishes Tab Page for pricing & details

##### Towel Shelf Options:

- Tubular Metal Shelf (TS)
- Glass Shelf (GS)
- Teak Wood Shelf (WS)

##### Shelf Support Options:

required for all shelves

- Rail Shelf Support (SS\_R)
- Low Profile Shelf Support (SS\_LP)
- Clip Shelf Support (SS\_C)
- Split Collar Shelf Support (SS\_SC)

##### Additional Options & Accessories:

- Front Riser (FR)
- Split Diameter (SD)
- ADA Compliant Configuration (ADA)
- Curved Crossbar (CURV)
- Solid Acrylic Rod (ACR)
- Reeded Tubing (RT)
- Hammered Ball Fittings (HB)
- Wall Brackets: non-standard (WB)
- Auxiliary Towel Rail (TR)
- TP Holder (TP)

## Table of Contents

Styles

Classic Collection

Style	Images	Pricing
T Tapered Foot	11	46
C Decorative Collar	12	50
BL Ball Foot	13	54
B Bun Foot	14	58

Traditional Collection

E Essex	15	62
W Westport	16	64
CAP Capital	17	66
K Kingston	18	68
V Victorian	19	70
REN Renaissance	20	71
P Providence	21	72
N Newport	22	74
BAY Bayonne	23	76
FR Franklin	23	77

Modern Collection

S Studio	24	78
M Minimal	25	82
MET Metro	26	84
MOD Modern	27	88
SQ Square	28	90
L Linear	29	92
J Jamestown	30	93
AV Avery	31	94
BR Bristol	32	95

Wall Mount Collection

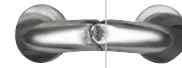
REG Regency	33	96
A Apex	34	97
SG Signature	35	98

Finishes, Options & Accessories

Finishes & Materials	36	100
Shelving & Supports	38	102
Options & Accessories	40	104

Appendices

Order Forms: Palmer & Stone Forest	108
Packing & Shipping	110
Policies & Procedures	111
China Sinks	113
Anatomy of a Leg System	114
Tubing Diameter Reference	115





SEE PHOTO ON PG. 12



### 1.0" DIAMETER TUBING

See page 50 for 1.5" diameter

#### STEP #1: SELECT LEG SYSTEM CONFIGURATION

choose the configuration that best suits your counter size and number of sinks

**1-LEG**  
ANY WIDTH COUNTER  
Wall Bracket not included with single legs - see pg. 106  
32" OR SPECIFY  
1"

**2-LEG**  
UP TO 60" W COUNTERS  
1 OR 2 SINKS  
Standard Counter Size: 36"W x 24"D  
32" OR SPECIFY  
32" OR SPECIFY  
Wall Bracket  
22" OR SPECIFY  
Optional Decorative Rear Risers  
Front View  
Side View

**3-LEG**  
UP TO 90" W COUNTERS  
2 SINKS  
Standard Counter Size: 72"W x 24"D  
32" OR SPECIFY  
Includes Center Wall Return  
68" OR SPECIFY  
22" OR SPECIFY  
Optional Decorative Rear Risers  
Front View  
Side View

**4-LEG**  
UP TO 60" W COUNTERS  
1 OR 2 SINKS  
Standard Counter Size: 36"W x 24"D  
32" OR SPECIFY  
32" OR SPECIFY  
22" OR SPECIFY  
Front View  
Side View

**5-LEG**  
UP TO 90" W COUNTERS  
2 SINKS  
Standard Counter Size: 72"W x 24"D  
32" OR SPECIFY  
Includes Center Wall Return  
68" OR SPECIFY  
22" OR SPECIFY  
Front View  
Side View

Standard Wall Bracket(s) included with all leg systems

Custom Configurations are available - if you don't see what you want please call Palmer Customer Support

February 2023 Price List

PalmerIndustries.com

SEE PHOTO ON PG. 12



### 1.0" DIAMETER TUBING

See page 51 for 1.5" diameter

#### STEP #2: ESTABLISH BASE PRICE OF LEG SYSTEM

using the configuration from step #1, select the finish to determine base price

LEGS	DIA	MODEL	DESCRIPTION	PC - PN	PBUL	ABUL-ORB-SBL-SN-MB
1-LEG	1.0"	C100	LEG SINGLE 1.0" DEC COLLAR	\$494	\$545	\$643
2-LEG	1.0"	LS21C	LEG SYS 2-LEG 1.0" DEC COLLAR w/ REAR RISERS	\$1,969	\$2,167	\$2,561
		LS21CNR	LEG SYS 2-LEG 1.0" DEC COLLAR NO REAR RISERS	\$1,680	\$1,849	\$2,185
3-LEG	1.0"	LS31C	LEG SYS 3-LEG 1.0" DEC COLLAR w/ REAR RISERS	\$3,142	\$3,455	\$4,084
		LS31CNR	LEG SYS 3-LEG 1.0" DEC COLLAR NO REAR RISERS	\$2,707	\$2,978	\$3,519
4-LEG	1.0"	LS41C	LEG SYS 4-LEG 1.0" DEC COLLAR	\$2,701	\$2,970	\$3,512
5-LEG	1.0"	LS51C	LEG SYS 5-LEG 1.0" DEC COLLAR	\$3,891	\$4,280	\$5,059

PC = POLISHED CHROME  
PN = POLISHED NICKEL  
PBUL = POLISHED BRASS UN-LACQUERED

ABUL = AGED BRASS UN-LACQUERED  
ORB = OIL RUBBED BRONZE  
SBL = SATIN BRASS LACQUERED

SN = SATIN NICKEL  
MB = SEMI-MATTE BLACK POWDER COAT

PVD FINISHES ARE AVAILABLE - please see page 100

can be field cut to reduce size

#### STEP #3: ADD SIZE CHARGES TO BASE PRICE OF LEG SYSTEM

if your counter width is other than the "standard" size shown below, please add the appropriate size charges to the base price

COUNTER WIDTH	LEGS	COUNTER WIDTH	LEGS	COUNTER WIDTH	
	2-LEG - OR - 4-LEG	LESS THAN 36"	\$157	3-LEG - OR - 5-LEG	LESS THAN 72"
36" (STANDARD SIZE)			\$0		72" (STANDARD SIZE)
UP TO 42"		\$201	UP TO 78"		\$201
UP TO 48"		\$263	UP TO 84"		\$263
UP TO 60"		\$376	UP TO 90"		\$376

COUNTER DEPTH NO CHARGE FOR COUNTER DEPTHS UP TO 24"

LEG HEIGHT NO CHARGE FOR LEG HEIGHTS UP TO 36"

For sizes larger than shown, and/or custom configurations, please contact Palmer for a quote

IF YOU ARE NOT ORDERING ANY OPTIONS YOU ARE DONE  
- calculate shipping costs on pg. 110 & complete the order form on pg. 108

#### STEP #4: SELECT YOUR OPTIONS & ACCESSORIES

ONLY the options & accessories listed below may be used with this DECORATIVE COLLAR style

TURN TO OPTIONS TAB (pg. 102)

Please select only from the Options & Accessories listed here for use with this DECORATIVE COLLAR style



Turn to the Options & Finishes Tab Page for pricing & details

##### Towel Shelf Options:

- Tubular Metal Shelf (TS)
- Glass Shelf (GS)
- Teak Wood Shelf (WS)

##### Shelf Support Options: required for all shelves

- Rail Shelf Support (SS\_R)
- Low Profile Shelf Support (SS\_LP)
- Clip Shelf Support (SS\_C)
- Split Collar Shelf Support (SS\_SC)

##### Additional Options & Accessories:

- ADA Compliant Configuration (ADA)
- Curved Crossbar (CURV)
- Reeded Tubing (RT)
- Hammered Ball Fittings (HB)
- Wall Brackets: non-standard (WB)
- Auxiliary Towel Rail (TR)
- TP Holder (TP)

## Table of Contents

Styles

Classic Collection

Style	Images	Pricing
T Tapered Foot	11	46
C Decorative Collar	12	50
BL Ball Foot	13	54
B Bun Foot	14	58

Traditional Collection

E Essex	15	62
W Westport	16	64
CAP Capital	17	66
K Kingston	18	68
V Victorian	19	70
REN Renaissance	20	71
P Providence	21	72
N Newport	22	74
BAY Bayonne	23	76
FR Franklin	23	77

Modern Collection

S Studio	24	78
M Minimal	25	82
MET Metro	26	84
MOD Modern	27	88
SQ Square	28	90
L Linear	29	92
J Jamestown	30	93
AV Avery	31	94
BR Bristol	32	95

Wall Mount Collection

REG Regency	33	96
A Apex	34	97
SG Signature	35	98

#### Finishes, Options & Accessories

Finishes & Materials	36	100
Shelving & Supports	38	102
Options & Accessories	40	104

#### Appendices

Order Forms: Palmer & Stone Forest	108
Packing & Shipping	110
Policies & Procedures	111
China Sinks	113
Anatomy of a Leg System	114
Tubing Diameter Reference	115





#### STEP #1: SELECT LEG SYSTEM CONFIGURATION

choose the configuration that best suits your counter size and number of sinks

**1-LEG**  
ANY WIDTH COUNTER  
Wall Bracket not included with single legs - see pg. 106  
1 1/2"  
32" OR SPECIFY

**2-LEG**  
UP TO 60" W COUNTERS  
1 OR 2 SINKS  
Standard Counter Size: 36"W x 24"D  
32" OR SPECIFY  
32" OR SPECIFY  
Wall Bracket  
22" OR SPECIFY  
Optional Decorative Rear Risers  
1 1/2"  
Front View  
Side View

**3-LEG**  
UP TO 90" W COUNTERS  
2 SINKS  
Standard Counter Size: 72"W x 24"D  
32" OR SPECIFY  
68" OR SPECIFY  
Wall Bracket  
22" OR SPECIFY  
Optional Decorative Rear Risers  
1 1/2"  
Includes Center Wall Return  
Front View  
Side View

**4-LEG**  
UP TO 60" W COUNTERS  
1 OR 2 SINKS  
Standard Counter Size: 36"W x 24"D  
32" OR SPECIFY  
22" OR SPECIFY  
Wall Bracket  
1 1/2"  
Front View  
Side View

**5-LEG**  
UP TO 90" W COUNTERS  
2 SINKS  
Standard Counter Size: 72"W x 24"D  
32" OR SPECIFY  
68" OR SPECIFY  
Wall Bracket  
22" OR SPECIFY  
Optional Decorative Rear Risers  
1 1/2"  
Includes Center Wall Return  
Front View  
Side View

Standard Wall Bracket(s) included with all leg systems

Custom Configurations are available - if you don't see what you want please call Palmer Customer Support



#### STEP #2: ESTABLISH BASE PRICE OF LEG SYSTEM

using the configuration from step #1, select the finish to determine base price

LEGS	DIA	MODEL	DESCRIPTION	PC - PN	PBUL	ABUL-ORB-SBL-SN-MB
1-LEG	1.5"	BL150	LEG SINGLE 1.5" BALL FOOT	\$664	\$732	\$865
2-LEG	1.5"	LS2BL	LEG SYS 2-LEG 1.5" BALL FOOT w/ REAR RISERS	\$2,819	\$3,102	\$3,666
		LS2BLNR	LEG SYS 2-LEG 1.5" BALL FOOT NO REAR RISERS	\$2,364	\$2,600	\$3,073
3-LEG	1.5"	LS3BL	LEG SYS 3-LEG 1.5" BALL FOOT w/ REAR RISERS	\$4,467	\$4,913	\$5,808
		LS3BLNR	LEG SYS 3-LEG 1.5" BALL FOOT NO REAR RISERS	\$3,784	\$4,162	\$4,919
4-LEG	1.5"	LS4BL	LEG SYS 4-LEG 1.5" BALL FOOT	\$3,971	\$4,369	\$5,163
5-LEG	1.5"	LS5BL	LEG SYS 5-LEG 1.5" BALL FOOT	\$5,661	\$6,228	\$7,359

PC = POLISHED CHROME  
PN = POLISHED NICKEL  
PBUL = POLISHED BRASS UN-LACQUERED

ABUL = AGED BRASS UN-LACQUERED  
ORB = OIL RUBBED BRONZE  
SBL = SATIN BRASS LACQUERED

SN = SATIN NICKEL  
MB = SEMI-MATTE BLACK POWDER COAT

PVD FINISHES ARE AVAILABLE - please see page 100

can be field cut to reduce size

#### STEP #3: ADD SIZE CHARGES TO BASE PRICE OF LEG SYSTEM

if your counter width is other than the "standard" size shown below, please add the appropriate size charges to the base price

COUNTER WIDTH	LEGS	COUNTER WIDTH	LEGS	COUNTER WIDTH	
	2-LEG - OR - 4-LEG	LESS THAN 36"	\$157	3-LEG - OR - 5-LEG	LESS THAN 72"
36" (STANDARD SIZE)			\$0		72" (STANDARD SIZE)
UP TO 42"		\$201	UP TO 78"		\$201
UP TO 48" *		\$263	UP TO 84"		\$263
UP TO 60" *		\$376	UP TO 90"		\$376

COUNTER DEPTH NO CHARGE FOR COUNTER DEPTHS UP TO 24"

LEG HEIGHT NO CHARGE FOR LEG HEIGHTS UP TO 36"

For sizes larger than shown, and/or custom configurations, please contact Palmer for a quote

\* front riser(s) should be considered for counters 48" or wider (see pg. 104)

IF YOU ARE NOT ORDERING ANY OPTIONS YOU ARE DONE

- calculate shipping costs on pg. 110 & complete the order form on pg. 108

#### STEP #4: SELECT YOUR OPTIONS & ACCESSORIES

ONLY the options & accessories listed below may be used with this BALL FOOT style

TURN TO OPTIONS TAB (pg. 102)

Please select only from the Options & Accessories listed here for use with this BALL FOOT style



Turn to the Options & Finishes Tab Page for pricing & details

##### Towel Shelf Options:

- Tubular Metal Shelf (TS)
- Glass Shelf (GS)
- Teak Wood Shelf (WS)

##### Shelf Support Options: required for all shelves

- Rail Shelf Support (SS\_R)
- Low Profile Shelf Support (SS\_LP)
- Clip Shelf Support (SS\_C)
- Split Collar Shelf Support (SS\_SC)

##### Additional Options & Accessories:

- Front Riser (FR)
- Split Diameter (SD)
- ADA Compliant Configuration (ADA)
- Curved Crossbar (CURV)
- Solid Acrylic Rod (ACR)
- Reeded Tubing (RT)
- Hammered Ball Fittings (HB)
- Wall Brackets: non-standard (WB)
- Auxiliary Towel Rail (TR)
- TP Holder (TP)

## Table of Contents

Styles

Classic Collection

Style	Images	Pricing
T Tapered Foot	11	46
C Decorative Collar	12	50
BL Ball Foot	13	54
B Bun Foot	14	58

Traditional Collection

E Essex	15	62
W Westport	16	64
CAP Capital	17	66
K Kingston	18	68
V Victorian	19	70
REN Renaissance	20	71
P Providence	21	72
N Newport	22	74
BAY Bayonne	23	76
FR Franklin	23	77

Modern Collection

S Studio	24	78
M Minimal	25	82
MET Metro	26	84
MOD Modern	27	88
SQ Square	28	90
L Linear	29	92
J Jamestown	30	93
AV Avery	31	94
BR Bristol	32	95

Wall Mount Collection

REG Regency	33	96
A Apex	34	97
SG Signature	35	98

Finishes, Options & Accessories

Finishes & Materials	36	100
Shelving & Supports	38	102
Options & Accessories	40	104

Appendices

Order Forms: Palmer & Stone Forest	108
Packing & Shipping	110
Policies & Procedures	111
China Sinks	113
Anatomy of a Leg System	114
Tubing Diameter Reference	115





### STEP #1: SELECT LEG SYSTEM CONFIGURATION

choose the configuration that best suits your counter size and number of sinks

**1-LEG**  
ANY WIDTH COUNTER  
Wall Bracket not included with single legs - see pg. 106  
32" OR SPECIFY  
1"

**2-LEG**  
UP TO 60" W COUNTERS  
1 OR 2 SINKS  
Standard Counter Size: 36"W x 24"D  
32" OR SPECIFY  
32" OR SPECIFY  
22" OR SPECIFY  
1"

**3-LEG**  
UP TO 90" W COUNTERS  
2 SINKS  
Standard Counter Size: 72"W x 24"D  
32" OR SPECIFY  
68" OR SPECIFY  
22" OR SPECIFY  
1"

**4-LEG**  
UP TO 60" W COUNTERS  
1 OR 2 SINKS  
Standard Counter Size: 36"W x 24"D  
32" OR SPECIFY  
32" OR SPECIFY  
22" OR SPECIFY  
1"

**5-LEG**  
UP TO 90" W COUNTERS  
2 SINKS  
Standard Counter Size: 72"W x 24"D  
32" OR SPECIFY  
68" OR SPECIFY  
22" OR SPECIFY  
1"

Standard Wall Bracket(s) included with all leg systems

Custom Configurations are available - if you don't see what you want please call Palmer Customer Support



### STEP #2: ESTABLISH BASE PRICE OF LEG SYSTEM

using the configuration from step #1, select the finish to determine base price

LEGS	DIA	MODEL	DESCRIPTION	PC - PN	PBUL	ABUL-ORB-SBL-SN-MB
1-LEG	1.0"	BL100	LEG SINGLE 1.0" BALL FOOT	\$494	\$545	\$643
2-LEG	1.0"	LS21BL	LEG SYS 2-LEG 1.0" BALL FOOT w/ REAR RISERS	\$1,969	\$2,167	\$2,561
		LS21BLNR	LEG SYS 2-LEG 1.0" BALL FOOT NO REAR RISERS	\$1,680	\$1,849	\$2,185
3-LEG	1.0"	LS31BL	LEG SYS 3-LEG 1.0" BALL FOOT w/ REAR RISERS	\$3,142	\$3,455	\$4,493
		LS31BLNR	LEG SYS 3-LEG 1.0" BALL FOOT NO REAR RISERS	\$2,707	\$2,978	\$3,519
4-LEG	1.0"	LS41BL	LEG SYS 4-LEG 1.0" BALL FOOT	\$2,701	\$2,970	\$3,512
5-LEG	1.0"	LS51BL	LEG SYS 5-LEG 1.0" BALL FOOT	\$3,891	\$4,280	\$5,059

PC = POLISHED CHROME  
 PN = POLISHED NICKEL  
 PBUL = POLISHED BRASS UN-LACQUERED

ABUL = AGED BRASS UN-LACQUERED  
 ORB = OIL RUBBED BRONZE  
 SBL = SATIN BRASS LACQUERED

SN = SATIN NICKEL  
 MB = SEMI-MATTE BLACK POWDER COAT

PVD FINISHES ARE AVAILABLE - please see page 100

can be field cut to reduce size

### STEP #3: ADD SIZE CHARGES TO BASE PRICE OF LEG SYSTEM

if your counter width is other than the "standard" size shown below, please add the appropriate size charges to the base price

COUNTER WIDTH	LEGS	COUNTER WIDTH	LEGS	COUNTER WIDTH
	2-LEG - OR - 4-LEG		LESS THAN 36"	3-LEG - OR - 5-LEG
36" (STANDARD SIZE)			72" (STANDARD SIZE)	
UP TO 42"			UP TO 78"	
UP TO 48"			UP TO 84"	
UP TO 60"			UP TO 90"	

<b>COUNTER DEPTH</b>	NO CHARGE FOR COUNTER DEPTHS UP TO 24"
<b>LEG HEIGHT</b>	NO CHARGE FOR LEG HEIGHTS UP TO 36"

For sizes larger than shown, and/or custom configurations, please contact Palmer for a quote

IF YOU ARE NOT ORDERING ANY OPTIONS YOU ARE DONE  
 - calculate shipping costs on pg. 110 & complete the order form on pg. 108

### STEP #4: SELECT YOUR OPTIONS & ACCESSORIES

ONLY the options & accessories listed below may be used with this BALL FOOT style

TURN TO OPTIONS TAB (pg. 102)

Please select only from the Options & Accessories listed here for use with this BALL FOOT style



Turn to the Options & Finishes Tab Page for pricing & details

#### Towel Shelf Options:

- Tubular Metal Shelf (TS)
- Glass Shelf (GS)
- Teak Wood Shelf (WS)

#### Shelf Support Options:

- required for all shelves
- Rail Shelf Support (SS\_R)
- Low Profile Shelf Support (SS\_LP)
- Clip Shelf Support (SS\_C)
- Split Collar Shelf Support (SS\_SC)

#### Additional Options & Accessories:

- ADA Compliant Configuration (ADA)
- Curved Crossbar (CURV)
- Reeded Tubing (RT)
- Hammered Ball Fittings (HB)
- Wall Brackets: non-standard (WB)
- Auxiliary Towel Rail (TR)
- TP Holder (TP)

## Table of Contents

Styles

Classic Collection

T	Tapered Foot	11	46
C	Decorative Collar	12	50
BL	Ball Foot	13	54
B	Bun Foot	14	58

Traditional Collection

E	Essex	15	62
W	Westport	16	64
CAP	Capital	17	66
K	Kingston	18	68
V	Victorian	19	70
REN	Renaissance	20	71
P	Providence	21	72
N	Newport	22	74
BAY	Bayonne	23	76
FR	Franklin	23	77

Modern Collection

S	Studio	24	78
M	Minimal	25	82
MET	Metro	26	84
MOD	Modern	27	88
SQ	Square	28	90
L	Linear	29	92
J	Jamestown	30	93
AV	Avery	31	94
BR	Bristol	32	95

Wall Mount Collection

REG	Regency	33	96
A	Apex	34	97
SG	Signature	35	98

#### Finishes, Options & Accessories

Finishes & Materials	36	100
Shelving & Supports	38	102
Options & Accessories	40	104

#### Appendices

Order Forms: Palmer & Stone Forest	108
Packing & Shipping	110
Policies & Procedures	111
China Sinks	113
Anatomy of a Leg System	114
Tubing Diameter Reference	115



#### Classic Collection

Style	Images	Pricing
<b>T</b> Tapered Foot	11	46
<b>C</b> Decorative Collar	12	50
<b>BL</b> Ball Foot	13	54
<b>B</b> Bun Foot	14	58

#### Traditional Collection

<b>E</b> Essex	15	62
<b>W</b> Westport	16	64
<b>CAP</b> Capital	17	66
<b>K</b> Kingston	18	68
<b>V</b> Victorian	19	70
<b>REN</b> Renaissance	20	71
<b>P</b> Providence	21	72
<b>N</b> Newport	22	74
<b>BAY</b> Bayonne	23	76
<b>FR</b> Franklin	23	77

#### Modern Collection

<b>S</b> Studio	24	78
<b>M</b> Minimal	25	82
<b>MET</b> Metro	26	84
<b>MOD</b> Modern	27	88
<b>SQ</b> Square	28	90
<b>L</b> Linear	29	92
<b>J</b> Jamestown	30	93
<b>AV</b> Avery	31	94
<b>BR</b> Bristol	32	95

#### Wall Mount Collection

<b>REG</b> Regency	33	96
<b>A</b> Apex	34	97
<b>SG</b> Signature	35	98

#### Finishes, Options & Accessories

Finishes & Materials	36	100
Shelving & Supports	38	102
Options & Accessories	40	104

#### Appendices

Order Forms: Palmer & Stone Forest	108
Packing & Shipping	110
Policies & Procedures	111
China Sinks	113
Anatomy of a Leg System	114
Tubing Diameter Reference	115

## STEP #1: SELECT LEG SYSTEM CONFIGURATION

choose the configuration that best suits your counter size and number of sinks

### 1-LEG

ANY WIDTH COUNTER

Wall Bracket not included with single legs - see pg. 106

32" OR SPECIFY

1 1/2"

### 2-LEG

UP TO 60" W COUNTERS

1 OR 2 SINKS

Standard Counter Size: 36"W x 24"D

32" OR SPECIFY

32" OR SPECIFY

22" OR SPECIFY

1 1/2"

Optional Decorative Rear Risers

### 3-LEG

UP TO 90" W COUNTERS

2 SINKS

Standard Counter Size: 72"W x 24"D

32" OR SPECIFY

68" OR SPECIFY

22" OR SPECIFY

1 1/2"

### 4-LEG

UP TO 60" W COUNTERS

1 OR 2 SINKS

Standard Counter Size: 36"W x 24"D

32" OR SPECIFY

22" OR SPECIFY

1 1/2"

### 5-LEG

UP TO 90" W COUNTERS

2 SINKS

Standard Counter Size: 72"W x 24"D

32" OR SPECIFY

68" OR SPECIFY

22" OR SPECIFY

1 1/2"

Standard Wall Bracket(s) included with all leg systems

Custom Configurations are available - if you don't see what you want please call Palmer Customer Support

## STEP #2: ESTABLISH BASE PRICE OF LEG SYSTEM

using the configuration from step #1, select the finish to determine base price

LEGS	DIA	MODEL	DESCRIPTION	PC - PN	PBUL	ABUL-ORB-SBL-SN-MB
1-LEG	1.5"	B150	LEG SINGLE 1.5" BUN FOOT	\$664	\$732	\$865
2-LEG	1.5"	LS2B	LEG SYS 2-LEG 1.5" BUN FOOT w/ REAR RISERS	\$2,819	\$3,102	\$3,666
		LS2BNR	LEG SYS 2-LEG 1.5" BUN FOOT NO REAR RISERS	\$2,364	\$2,600	\$3,073
3-LEG	1.5"	LS3B	LEG SYS 3-LEG 1.5" BUN FOOT w/ REAR RISERS	\$4,467	\$4,913	\$5,808
		LS3BNR	LEG SYS 3-LEG 1.5" BUN FOOT NO REAR RISERS	\$3,784	\$4,162	\$4,919
4-LEG	1.5"	LS4B	LEG SYS 4-LEG 1.5" BUN FOOT	\$3,971	\$4,369	\$5,163
5-LEG	1.5"	LS5B	LEG SYS 5-LEG 1.5" BUN FOOT	\$5,661	\$6,228	\$7,359

PC = POLISHED CHROME  
 PN = POLISHED NICKEL  
 PBUL = POLISHED BRASS UN-LACQUERED

ABUL = AGED BRASS UN-LACQUERED  
 ORB = OIL RUBBED BRONZE  
 SBL = SATIN BRASS LACQUERED

SN = SATIN NICKEL  
 MB = SEMI-MATTE BLACK POWDER COAT

PVD FINISHES ARE AVAILABLE - please see page 100

can be field cut to reduce size

## STEP #3: ADD SIZE CHARGES TO BASE PRICE OF LEG SYSTEM

if your counter width is other than the "standard" size shown below, please add the appropriate size charges to the base price

COUNTER WIDTH	LEGS	COUNTER WIDTH	LEGS	COUNTER WIDTH
	2-LEG - OR - 4-LEG		LESS THAN 36"	3-LEG - OR - 5-LEG
36" (STANDARD SIZE)			72" (STANDARD SIZE)	
UP TO 42"			UP TO 78"	
UP TO 48" *			UP TO 84"	
UP TO 60" *			UP TO 90"	

COUNTER DEPTH	NO CHARGE FOR COUNTER DEPTHS UP TO 24"
LEG HEIGHT	NO CHARGE FOR LEG HEIGHTS UP TO 36"

For sizes larger than shown, and/or custom configurations, please contact Palmer for a quote

\* front riser(s) should be considered for counters 48" or wider (see pg. 104)

IF YOU ARE NOT ORDERING ANY OPTIONS YOU ARE DONE

- calculate shipping costs on pg. 110 & complete the order form on pg. 108

## STEP #4: SELECT YOUR OPTIONS & ACCESSORIES

ONLY the options & accessories listed below may be used with this BUN FOOT style

TURN TO OPTIONS TAB (pg. 102)

Please select only from the Options & Accessories listed here for use with this BUN FOOT style



Turn to the Options & Finishes Tab Page for pricing & details

#### Towel Shelf Options:

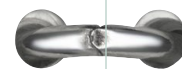
- Tubular Metal Shelf (TS)
- Glass Shelf (GS)
- Teak Wood Shelf (WS)

#### Shelf Support Options:

- required for all shelves
- Rail Shelf Support (SS\_R)
  - Low Profile Shelf Support (SS\_LP)
  - Clip Shelf Support (SS\_C)
  - Split Collar Shelf Support (SS\_SC)

#### Additional Options & Accessories:

- Front Riser (FR)
- Split Diameter (SD)
- ADA Compliant Configuration (ADA)
- Curved Crossbar (CURV)
- Solid Acrylic Rod (ACR)
- Reeded Tubing (RT)
- Hammered Ball Fittings (HB)
- Wall Brackets: non-standard (WB)
- Auxiliary Towel Rail (TR)
- TP Holder (TP)



R-020723

R-020723



#### Classic Collection

Style	Images	Pricing
<b>T</b> Tapered Foot	11	46
<b>C</b> Decorative Collar	12	50
<b>BL</b> Ball Foot	13	54
<b>B</b> Bun Foot	14	58

#### Traditional Collection

<b>E</b> Essex	15	62
<b>W</b> Westport	16	64
<b>CAP</b> Capital	17	66
<b>K</b> Kingston	18	68
<b>V</b> Victorian	19	70
<b>REN</b> Renaissance	20	71
<b>P</b> Providence	21	72
<b>N</b> Newport	22	74
<b>BAY</b> Bayonne	23	76
<b>FR</b> Franklin	23	77

#### Modern Collection

<b>S</b> Studio	24	78
<b>M</b> Minimal	25	82
<b>MET</b> Metro	26	84
<b>MOD</b> Modern	27	88
<b>SQ</b> Square	28	90
<b>L</b> Linear	29	92
<b>J</b> Jamestown	30	93
<b>AV</b> Avery	31	94
<b>BR</b> Bristol	32	95

#### Wall Mount Collection

<b>REG</b> Regency	33	96
<b>A</b> Apex	34	97
<b>SG</b> Signature	35	98

#### Finishes, Options & Accessories

Finishes & Materials	36	100
Shelving & Supports	38	102
Options & Accessories	40	104

#### Appendices

Order Forms: Palmer & Stone Forest	108
Packing & Shipping	110
Policies & Procedures	111
China Sinks	113
Anatomy of a Leg System	114
Tubing Diameter Reference	115

## STEP #1: SELECT LEG SYSTEM CONFIGURATION

choose the configuration that best suits your counter size and number of sinks

### 1-LEG

ANY WIDTH COUNTER

Wall Bracket not included with single legs - see pg. 106

32" OR SPECIFY

1"

### 2-LEG

UP TO 60" W COUNTERS

1 OR 2 SINKS

Standard Counter Size: 36"W x 24"D

32" OR SPECIFY

32" OR SPECIFY

22" OR SPECIFY

Optional Decorative Rear Risers

1"

### 3-LEG

UP TO 90" W COUNTERS

2 SINKS

Standard Counter Size: 72"W x 24"D

32" OR SPECIFY

68" OR SPECIFY

22" OR SPECIFY

Optional Decorative Rear Risers

1"

Includes Center Wall Return

68" OR SPECIFY

22" OR SPECIFY

Optional Decorative Rear Risers

1"

### 4-LEG

UP TO 60" W COUNTERS

1 OR 2 SINKS

Standard Counter Size: 36"W x 24"D

32" OR SPECIFY

32" OR SPECIFY

22" OR SPECIFY

1"

32" OR SPECIFY

22" OR SPECIFY

1"

### 5-LEG

UP TO 90" W COUNTERS

2 SINKS

Standard Counter Size: 72"W x 24"D

32" OR SPECIFY

68" OR SPECIFY

22" OR SPECIFY

1"

Includes Center Wall Return

68" OR SPECIFY

22" OR SPECIFY

1"

Standard Wall Bracket(s) included with all leg systems

Custom Configurations are available - if you don't see what you want please call Palmer Customer Support

## STEP #2: ESTABLISH BASE PRICE OF LEG SYSTEM

using the configuration from step #1, select the finish to determine base price

LEGS	DIA	MODEL	DESCRIPTION	PC - PN	PBUL	ABUL-ORB-SBL-SN-MB
1-LEG	1.0"	B100	LEG SINGLE 1.0" BUN FOOT	\$494	\$545	\$643
2-LEG	1.0"	LS21B	LEG SYS 2-LEG 1.0" BUN FOOT w/ REAR RISERS	\$1,969	\$2,167	\$2,561
		LS21BNR	LEG SYS 2-LEG 1.0" BUN FOOT NO REAR RISERS	\$1,680	\$1,849	\$2,185
3-LEG	1.0"	LS31B	LEG SYS 3-LEG 1.0" BUN FOOT w/ REAR RISERS	\$3,142	\$3,455	\$4,084
		LS31BNR	LEG SYS 3-LEG 1.0" BUN FOOT NO REAR RISERS	\$2,707	\$2,978	\$3,519
4-LEG	1.0"	LS41B	LEG SYS 4-LEG 1.0" BUN FOOT	\$2,701	\$2,970	\$3,512
5-LEG	1.0"	LS51B	LEG SYS 5-LEG 1.0" BUN FOOT	\$3,891	\$4,280	\$5,059

PC = POLISHED CHROME  
 PN = POLISHED NICKEL  
 PBUL = POLISHED BRASS UN-LACQUERED

ABUL = AGED BRASS UN-LACQUERED  
 ORB = OIL RUBBED BRONZE  
 SBL = SATIN BRASS LACQUERED

SN = SATIN NICKEL  
 MB = SEMI-MATTE BLACK POWDER COAT

PVD FINISHES ARE AVAILABLE - please see page 100

can be field cut to reduce size

## STEP #3: ADD SIZE CHARGES TO BASE PRICE OF LEG SYSTEM

if your counter width is other than the "standard" size shown below, please add the appropriate size charges to the base price

COUNTER WIDTH	LEGS	COUNTER WIDTH	LEGS	COUNTER WIDTH
	2-LEG - OR - 4-LEG		LESS THAN 36"	3-LEG - OR - 5-LEG
36" (STANDARD SIZE)			72" (STANDARD SIZE)	
UP TO 42"			UP TO 78"	
UP TO 48"			UP TO 84"	
UP TO 60"			UP TO 90"	

COUNTER DEPTH NO CHARGE FOR COUNTER DEPTHS UP TO 24"

LEG HEIGHT NO CHARGE FOR LEG HEIGHTS UP TO 36"

For sizes larger than shown, and/or custom configurations, please contact Palmer for a quote

IF YOU ARE NOT ORDERING ANY OPTIONS YOU ARE DONE  
 - calculate shipping costs on pg. 110 & complete the order form on pg. 108

## STEP #4: SELECT YOUR OPTIONS & ACCESSORIES

ONLY the options & accessories listed below may be used with this BUN FOOT style

TURN TO OPTIONS TAB (pg. 102)

Please select only from the Options & Accessories listed here for use with this BUN FOOT style



Turn to the Options & Finishes Tab Page for pricing & details

### Towel Shelf Options:

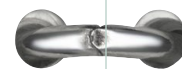
- Tubular Metal Shelf (TS)
- Glass Shelf (GS)
- Teak Wood Shelf (WS)

### Shelf Support Options:

- required for all shelves
- Rail Shelf Support (SS\_R)
- Low Profile Shelf Support (SS\_LP)
- Clip Shelf Support (SS\_C)
- Split Collar Shelf Support (SS\_SC)

### Additional Options & Accessories:

- ADA Compliant Configuration (ADA)
- Curved Crossbar (CURV)
- Reeded Tubing (RT)
- Hammered Ball Fittings (HB)
- Wall Brackets: non-standard (WB)
- Auxiliary Towel Rail (TR)
- TP Holder (TP)



R-020723

R-020723



STEP #1: SELECT LEG SYSTEM CONFIGURATION

choose the configuration that best suits your counter size and number of sinks

**1-LEG**  
ANY WIDTH COUNTER  
Wall Bracket not included with single legs - see pg. 106  
33" OR SPECIFY  
1 1/2"

**2-LEG**  
UP TO 60" W COUNTERS  
1 OR 2 SINKS  
Standard Counter Size:  
36"W x 24"D  
33" OR SPECIFY  
32" OR SPECIFY  
22" OR SPECIFY  
1 1/2"

**3-LEG**  
UP TO 90" W COUNTERS  
2 SINKS  
Standard Counter Size:  
72"W x 24"D  
33" OR SPECIFY  
68" OR SPECIFY  
22" OR SPECIFY  
1 1/2"

**4-LEG**  
UP TO 60" W COUNTERS  
1 OR 2 SINKS  
Standard Counter Size:  
36"W x 24"D  
33" OR SPECIFY  
32" OR SPECIFY  
22" OR SPECIFY  
1 1/2"

**5-LEG**  
UP TO 90" W COUNTERS  
2 SINKS  
Standard Counter Size:  
72"W x 24"D  
33" OR SPECIFY  
68" OR SPECIFY  
22" OR SPECIFY  
1 1/2"

Standard Wall Bracket(s) included with all leg systems

Custom Configurations are available - if you don't see what you want please call Palmer Customer Support

STEP #2: ESTABLISH BASE PRICE OF LEG SYSTEM

using the configuration from step #1, select the finish to determine base price

LEGS	DIA	MODEL	DESCRIPTION	PC - PN	PBUL	ABUL-ORB-SBL-SN-MB
1-LEG	1.5"	E150	LEG SINGLE 1.5" ESSEX	\$1,024	\$1,127	\$1,332
2-LEG	1.5"	LS2E	LEG SYS 2-LEG 1.5" ESSEX	\$2,938	\$3,232	\$3,821
3-LEG	1.5"	LS3E	LEG SYS 3-LEG 1.5" ESSEX	\$4,623	\$5,087	\$6,010
4-LEG	1.5"	LS4E	LEG SYS 4-LEG 1.5" ESSEX	\$5,022	\$5,524	\$6,529
5-LEG	1.5"	LS5E	LEG SYS 5-LEG 1.5" ESSEX	\$6,494	\$7,143	\$8,442

PC = POLISHED CHROME  
PN = POLISHED NICKEL  
PBUL = POLISHED BRASS UN-LACQUERED

ABUL = AGED BRASS UN-LACQUERED  
ORB = OIL RUBBED BRONZE  
SBL = SATIN BRASS LACQUERED

SN = SATIN NICKEL  
MB = SEMI-MATTE BLACK POWDER COAT

width & depth can be field cut to reduce size

PVD FINISHES ARE AVAILABLE - please see page 100

STEP #3: ADD SIZE CHARGES TO BASE PRICE OF LEG SYSTEM

if your counter width is other than the "standard" size shown below, please add the appropriate size charges to the base price

COUNTER WIDTH	LEGS	COUNTER WIDTH	LEGS	COUNTER WIDTH	
	2-LEG - OR - 4-LEG	LESS THAN 36"	\$157	3-LEG - OR - 5-LEG	LESS THAN 72"
36" (STANDARD SIZE)		\$0	72" (STANDARD SIZE)		\$0
UP TO 42"		\$201	UP TO 78"		\$201
UP TO 48"		\$263	UP TO 84"		\$263
		UP TO 60"	\$376	UP TO 90"	\$376

COUNTER DEPTH NO CHARGE FOR COUNTER DEPTHS UP TO 24"

LEG HEIGHT NO CHARGE FOR LEG HEIGHTS UP TO 36" \*

For sizes larger than shown, and/or custom configurations, please contact Palmer for a quote

\* the Essex style requires a minimum leg height of 33" due to the tapered leg shape

IF YOU ARE NOT ORDERING ANY OPTIONS YOU ARE DONE

- calculate shipping costs on pg. 110 & complete the order form on pg. 108

STEP #4: SELECT YOUR OPTIONS & ACCESSORIES

ONLY the options & accessories listed below may be used with the ESSEX style

TURN TO OPTIONS TAB (pg. 102)

Please select only from the Options & Accessories listed here for use with the ESSEX style



Turn to the Options & Finishes Tab Page for pricing & details

Towel Shelf Options:

- Tubular Metal Shelf (TS)
- Glass Shelf (GS)
- Teak Wood Shelf (WS)

Shelf Support Options:  
required for all shelves

- Low Profile Shelf Support (SS\_LP)
- Clip Shelf Support (SS\_C)

Additional Options & Accessories:

- ADA Compliant Configuration (ADA)
- Curved Crossbar (CURV)
- Reeded Horizontal Tubing (RTH)
- Wall Brackets: non-standard (WB)
- Auxiliary Towel Rail (TR)
- TP Holder (TP)

Styles	Images	Pricing
<b>Classic Collection</b>		
T Tapered Foot	11	46
C Decorative Collar	12	50
BL Ball Foot	13	54
B Bun Foot	14	58
<b>Traditional Collection</b>		
E Essex	15	62
W Westport	16	64
CAP Capital	17	66
K Kingston	18	68
V Victorian	19	70
REN Renaissance	20	71
P Providence	21	72
N Newport	22	74
BAY Bayonne	23	76
FR Franklin	23	77
<b>Modern Collection</b>		
S Studio	24	78
M Minimal	25	82
MET Metro	26	84
MOD Modern	27	88
SQ Square	28	90
L Linear	29	92
J Jamestown	30	93
AV Avery	31	94
BR Bristol	32	95
<b>Wall Mount Collection</b>		
REG Regency	33	96
A Apex	34	97
SG Signature	35	98

Finishes, Options & Accessories

Finishes & Materials	36	100
Shelving & Supports	38	102
Options & Accessories	40	104

Appendices

Order Forms: Palmer & Stone Forest	108
Packing & Shipping	110
Policies & Procedures	111
China Sinks	113
Anatomy of a Leg System	114
Tubing Diameter Reference	115



R-020723

R-020723





STEP #1: SELECT LEG SYSTEM CONFIGURATION

choose the configuration that best suits your counter size and number of sinks

**1-LEG**  
ANY WIDTH COUNTER  
Wall Bracket not included with single legs - see pg. 106  
32" OR SPECIFY  
1 1/2"  
1"

**2-LEG**  
UP TO 60" W COUNTERS  
1 OR 2 SINKS  
Standard Counter Size: 36"W x 24"D  
32" OR SPECIFY  
Wall Bracket  
32" OR SPECIFY  
22" OR SPECIFY  
1 1/2"  
1"

**3-LEG**  
UP TO 90" W COUNTERS  
2 SINKS  
Standard Counter Size: 72"W x 24"D  
32" OR SPECIFY  
Wall Bracket  
Includes Center Wall Return  
68" OR SPECIFY  
22" OR SPECIFY  
1 1/2"  
1"

**4-LEG**  
UP TO 60" W COUNTERS  
1 OR 2 SINKS  
Standard Counter Size: 36"W x 24"D  
32" OR SPECIFY  
Wall Bracket  
32" OR SPECIFY  
22" OR SPECIFY  
1 1/2"  
1"

**5-LEG**  
UP TO 90" W COUNTERS  
2 SINKS  
Standard Counter Size: 72"W x 24"D  
32" OR SPECIFY  
Wall Bracket  
No Center Wall Return  
68" OR SPECIFY  
22" OR SPECIFY  
1 1/2"  
1"

Standard Wall Bracket(s) included with all leg systems

Custom Configurations are available - if you don't see what you want please call Palmer Customer Support

STEP #2: ESTABLISH BASE PRICE OF LEG SYSTEM

using the configuration from step #1, select the finish to determine base price

LEGS	DIA	MODEL	DESCRIPTION	PC - PN	PBUL	ABUL-ORB-SBL-SN-MB
1-LEG	1.0"	W100	LEG SINGLE 1.0" WESTPORT	\$814	\$896	\$1,058
2-LEG	1.0"	LS2W	LEG SYS 2-LEG 1.0" WESTPORT	\$2,813	\$3,094	\$3,658
3-LEG	1.0"	LS3W	LEG SYS 3-LEG 1.0" WESTPORT	\$4,509	\$4,962	\$5,863
4-LEG	1.0"	LS4W	LEG SYS 4-LEG 1.0" WESTPORT	\$4,490	\$4,939	\$5,837
5-LEG	1.0"	LS5W	LEG SYS 5-LEG 1.0" WESTPORT	\$5,904	\$6,495	\$7,675

PC = POLISHED CHROME  
PN = POLISHED NICKEL  
PBUL = POLISHED BRASS UN-LACQUERED

ABUL = AGED BRASS UN-LACQUERED  
ORB = OIL RUBBED BRONZE  
SBL = SATIN BRASS LACQUERED

SN = SATIN NICKEL  
MB = SEMI-MATTE BLACK POWDER COAT

width & depth can be field cut to reduce size

PVD FINISHES ARE AVAILABLE - please see page 100

STEP #3: ADD SIZE CHARGES TO BASE PRICE OF LEG SYSTEM

if your counter width is other than the "standard" size shown below, please add the appropriate size charges to the base price

COUNTER WIDTH	LEGS	COUNTER WIDTH		LEGS	COUNTER WIDTH	
	2-LEG - OR - 4-LEG	LESS THAN 36"	\$157		3-LEG - OR - 5-LEG	LESS THAN 72"
	36" (STANDARD SIZE)	\$0		72" (STANDARD SIZE)	\$0	
	UP TO 42"	\$201		UP TO 78"	\$201	
	UP TO 48"	\$263		UP TO 84"	\$263	
	UP TO 60"	\$376		UP TO 90"	\$376	

**COUNTER DEPTH** NO CHARGE FOR COUNTER DEPTHS UP TO 24"

**LEG HEIGHT** NO CHARGE FOR LEG HEIGHTS UP TO 36"

For sizes larger than shown, and/or custom configurations, please contact Palmer for a quote

IF YOU ARE NOT ORDERING ANY OPTIONS YOU ARE DONE  
- calculate shipping costs on pg. 110 & complete the order form on pg. 108

STEP #4: SELECT YOUR OPTIONS & ACCESSORIES

ONLY the options & accessories listed below may be used with the WESTPORT style

TURN TO OPTIONS TAB (pg. 102)

Please select only from the Options & Accessories listed here for use with the WESTPORT style



Turn to the Options & Finishes Tab Page for pricing & details

Towel Shelf Options:

- Tubular Metal Shelf (TS)
- Glass Shelf (GS)
- Teak Wood Shelf (WS)

Shelf Support Options:  
required for all shelves

- Low Profile Shelf Support (SS\_LP)
- Clip Shelf Support (SS\_C)
- Split Collar Shelf Support (SS\_SC)

Additional Options & Accessories:

- ADA Compliant Configuration (ADA)
- Curved Crossbar (CURV)
- Reeded Tubing (RT)
- Wall Brackets: non-standard (WB)
- Auxiliary Towel Rail (TR)
- TP Holder (TP)

Styles	Images	Pricing
<i>Classic Collection</i>		
T Tapered Foot	11	46
C Decorative Collar	12	50
BL Ball Foot	13	54
B Bun Foot	14	58
<i>Traditional Collection</i>		
E Essex	15	62
W Westport	16	64
CAP Capital	17	66
K Kingston	18	68
V Victorian	19	70
REN Renaissance	20	71
P Providence	21	72
N Newport	22	74
BAY Bayonne	23	76
FR Franklin	23	77
<i>Modern Collection</i>		
S Studio	24	78
M Minimal	25	82
MET Metro	26	84
MOD Modern	27	88
SQ Square	28	90
L Linear	29	92
J Jamestown	30	93
AV Avery	31	94
BR Bristol	32	95
<i>Wall Mount Collection</i>		
REG Regency	33	96
A Apex	34	97
SG Signature	35	98

Finishes, Options & Accessories

Finishes & Materials	36	100
Shelving & Supports	38	102
Options & Accessories	40	104

Appendices

Order Forms: Palmer & Stone Forest	108
Packing & Shipping	110
Policies & Procedures	111
China Sinks	113
Anatomy of a Leg System	114
Tubing Diameter Reference	115



R-020723  
R-020723



STEP #1: SELECT LEG SYSTEM CONFIGURATION

choose the configuration that best suits your counter size and number of sinks

**1-LEG**  
ANY WIDTH COUNTER  
Wall Bracket not included with single legs - see pg. 106  
32" OR SPECIFY  
1 1/2"  
1"

**2-LEG**  
UP TO 60" W COUNTERS  
1 OR 2 SINKS  
Standard Counter Size: 36"W x 24"D  
32" OR SPECIFY  
Wall Bracket  
32" OR SPECIFY  
1 1/2"  
22" OR SPECIFY  
1"

**3-LEG**  
UP TO 90" W COUNTERS  
2 SINKS  
Standard Counter Size: 72"W x 24"D  
32" OR SPECIFY  
Wall Bracket  
No Center Wall Return  
68" OR SPECIFY  
1 1/2"  
22" OR SPECIFY  
1"

**4-LEG**  
UP TO 60" W COUNTERS  
1 OR 2 SINKS  
Standard Counter Size: 36"W x 24"D  
32" OR SPECIFY  
Wall Bracket  
32" OR SPECIFY  
1 1/2"  
22" OR SPECIFY  
1"

**5-LEG**  
UP TO 90" W COUNTERS  
2 SINKS  
Standard Counter Size: 72"W x 24"D  
32" OR SPECIFY  
Wall Bracket  
No Center Wall Return  
68" OR SPECIFY  
1 1/2"  
22" OR SPECIFY  
1"

Standard Wall Bracket(s) included with all leg systems

Custom Configurations are available - if you don't see what you want please call Palmer Customer Support

STEP #2: ESTABLISH BASE PRICE OF LEG SYSTEM

using the configuration from step #1, select the finish to determine base price

LEGS	DIA	MODEL	DESCRIPTION	PC - PN	PBUL	ABUL-ORB-SBL-SN-MB
1-LEG	1.0"	CAP100	LEG SINGLE 1.0" CAPITAL	\$1,011	\$1,113	\$1,316
2-LEG	1.0"	LS2CAP	LEG SYS 2-LEG 1.0" CAPITAL	\$4,018	\$4,419	\$5,223
3-LEG	1.0"	LS3CAP	LEG SYS 3-LEG 1.0" CAPITAL	\$6,498	\$7,150	\$8,449
4-LEG	1.0"	LS4CAP	LEG SYS 4-LEG 1.0" CAPITAL	\$5,906	\$6,497	\$7,679
5-LEG	1.0"	LS5CAP	LEG SYS 5-LEG 1.0" CAPITAL	\$7,774	\$8,550	\$10,105

PC = POLISHED CHROME  
PN = POLISHED NICKEL  
PBUL = POLISHED BRASS UN-LACQUERED

ABUL = AGED BRASS UN-LACQUERED  
ORB = OIL RUBBED BRONZE  
SBL = SATIN BRASS LACQUERED

SN = SATIN NICKEL  
MB = SEMI-MATTE BLACK POWDER COAT

width & depth can be field cut to reduce size

PVD FINISHES ARE AVAILABLE - please see page 100

STEP #3: ADD SIZE CHARGES TO BASE PRICE OF LEG SYSTEM

if your counter width is other than the "standard" size shown below, please add the appropriate size charges to the base price

COUNTER WIDTH	LEGS	COUNTER WIDTH	LEGS	COUNTER WIDTH	
	2-LEG - OR - 4-LEG	LESS THAN 36"	\$157	3-LEG - OR - 5-LEG	LESS THAN 72"
36" (STANDARD SIZE)		\$0	72" (STANDARD SIZE)		\$0
UP TO 42"		\$201	UP TO 78"		\$201
UP TO 48"		\$263	UP TO 84"		\$263
UP TO 60"		\$376	UP TO 90"		\$376

**COUNTER DEPTH** NO CHARGE FOR COUNTER DEPTHS UP TO 24"

**LEG HEIGHT** NO CHARGE FOR LEG HEIGHTS UP TO 36"

For sizes larger than shown, and/or custom configurations, please contact Palmer for a quote

IF YOU ARE NOT ORDERING ANY OPTIONS YOU ARE DONE  
- calculate shipping costs on pg. 110 & complete the order form on pg. 108

STEP #4: SELECT YOUR OPTIONS & ACCESSORIES

ONLY the options & accessories listed below may be used with the CAPITAL style

TURN TO OPTIONS TAB (pg. 102)

Please select only from the Options & Accessories listed here for use with the CAPITAL style



Turn to the Options & Finishes Tab Page for pricing & details

Towel Shelf Options:

- Tubular Metal Shelf (TS)
- Glass Shelf (GS)
- Teak Wood Shelf (WS)

Shelf Support Options:  
required for all shelves

- Low Profile Shelf Support (SS\_LP)
- Clip Shelf Support (SS\_C)
- Split Collar Shelf Support (SS\_SC)

Additional Options & Accessories:

- ADA Compliant Configuration (ADA)
- Reeded Tubing (RT)
- Wall Brackets: non-standard (WB)
- Auxiliary Towel Rail (TR)
- TP Holder (TP)

Styles	Images	Pricing
<i>Classic Collection</i>		
T Tapered Foot	11	46
C Decorative Collar	12	50
BL Ball Foot	13	54
B Bun Foot	14	58
<i>Traditional Collection</i>		
E Essex	15	62
W Westport	16	64
CAP Capital	17	66
K Kingston	18	68
V Victorian	19	70
REN Renaissance	20	71
P Providence	21	72
N Newport	22	74
BAY Bayonne	23	76
FR Franklin	23	77
<i>Modern Collection</i>		
S Studio	24	78
M Minimal	25	82
MET Metro	26	84
MOD Modern	27	88
SQ Square	28	90
L Linear	29	92
J Jamestown	30	93
AV Avery	31	94
BR Bristol	32	95
<i>Wall Mount Collection</i>		
REG Regency	33	96
A Apex	34	97
SG Signature	35	98

Finishes, Options & Accessories

Finishes & Materials	36	100
Shelving & Supports	38	102
Options & Accessories	40	104

Appendices

Order Forms: Palmer & Stone Forest	108
Packing & Shipping	110
Policies & Procedures	111
China Sinks	113
Anatomy of a Leg System	114
Tubing Diameter Reference	115





STEP #1: SELECT LEG SYSTEM CONFIGURATION

choose the configuration that best suits your counter size and number of sinks

**1-LEG**  
ANY WIDTH COUNTER  
Wall Bracket not included with single legs - see pg. 106  
33" OR SPECIFY  
1 1/2"

**2-LEG**  
UP TO 60" W COUNTERS  
1 OR 2 SINKS  
Standard Counter Size:  
36"W x 24"D  
33" OR SPECIFY  
32" OR SPECIFY  
22" OR SPECIFY  
1 1/2"

**3-LEG**  
UP TO 90" W COUNTERS  
2 SINKS  
Standard Counter Size:  
72"W x 24"D  
33" OR SPECIFY  
68" OR SPECIFY  
22" OR SPECIFY  
1 1/2"

**4-LEG**  
UP TO 60" W COUNTERS  
1 OR 2 SINKS  
Standard Counter Size:  
36"W x 24"D  
33" OR SPECIFY  
32" OR SPECIFY  
22" OR SPECIFY  
1 1/2"

**5-LEG**  
UP TO 90" W COUNTERS  
2 SINKS  
Standard Counter Size:  
72"W x 24"D  
33" OR SPECIFY  
68" OR SPECIFY  
22" OR SPECIFY  
1 1/2"

STEP #2: ESTABLISH BASE PRICE OF LEG SYSTEM

using the configuration from step #1, select the finish to determine base price

LEGS	DIA	MODEL	DESCRIPTION	PC - PN	PBUL	ABUL-ORB-SBL-SN-MB
1-LEG	1.5"	K150	LEG SINGLE 1.5" KINGSTON	\$1,149	\$1,265	\$1,495
2-LEG	1.5"	LS2K	LEG SYS 2-LEG 1.5" KINGSTON	\$3,073	\$3,381	\$3,996
3-LEG	1.5"	LS3K	LEG SYS 3-LEG 1.5" KINGSTON	\$4,804	\$5,286	\$6,247
4-LEG	1.5"	LS4K	LEG SYS 4-LEG 1.5" KINGSTON	\$5,348	\$5,884	\$6,953
5-LEG	1.5"	LS5K	LEG SYS 5-LEG 1.5" KINGSTON	\$6,888	\$7,578	\$8,955

PC = POLISHED CHROME      ABUL = AGED BRASS UN-LACQUERED      SN = SATIN NICKEL  
 PN = POLISHED NICKEL      ORB = OIL RUBBED BRONZE      MB = SEMI-MATTE BLACK POWDER COAT  
 PBUL = POLISHED BRASS UN-LACQUERED      SBL = SATIN BRASS LACQUERED

width & depth can be field cut to reduce size

PVD FINISHES ARE AVAILABLE - please see page 100

STEP #3: ADD SIZE CHARGES TO BASE PRICE OF LEG SYSTEM

if your counter width is other than the "standard" size shown below, please add the appropriate size charges to the base price

COUNTER WIDTH	LEGS	COUNTER WIDTH	LEGS	COUNTER WIDTH
	2-LEG - OR - 4-LEG	LESS THAN 36"	\$157	3-LEG - OR - 5-LEG
36" (STANDARD SIZE)			\$0	
UP TO 42"		\$201	UP TO 78"	\$201
UP TO 48"		\$263	UP TO 84"	\$263
UP TO 60"		\$376	UP TO 90"	\$376

**COUNTER DEPTH** NO CHARGE FOR COUNTER DEPTHS UP TO 24"

**LEG HEIGHT** NO CHARGE FOR LEG HEIGHTS UP TO 36" \*

For sizes larger than shown, and/or custom configurations, please contact Palmer for a quote

\* the Kingston style requires a minimum leg height of 33" due to the tapered leg shape

IF YOU ARE NOT ORDERING ANY OPTIONS YOU ARE DONE - calculate shipping costs on pg. 110 & complete the order form on pg. 108

STEP #4: SELECT YOUR OPTIONS & ACCESSORIES

ONLY the options & accessories listed below may be used with the KINGSTON style

TURN TO OPTIONS TAB (pg. 102)

Please select only from the Options & Accessories listed here for use with the KINGSTON style



Turn to the Options & Finishes Tab Page for pricing & details

Towel Shelf Options:

- Tubular Metal Shelf (TS)
- Glass Shelf (GS)
- Teak Wood Shelf (WS)

Shelf Support Options: required for all shelves

- Low Profile Shelf Support (SS\_LP)
- Clip Shelf Support (SS\_C)

Additional Options & Accessories:

- ADA Compliant Configuration (ADA)
- Curved Crossbar (CURV)
- Reeded Horizontal Tubing (RTH)
- Hammered Ball Fittings (HB)
- Wall Brackets: non-standard (WB)
- Auxiliary Towel Rail (TR)
- TP Holder (TP)

Wall Mount Collection

REG	Regency	33	96
A	Apex	34	97
SG	Signature	35	98

Finishes, Options & Accessories

Finishes & Materials	36	100
Shelving & Supports	38	102
Options & Accessories	40	104

Appendices

Order Forms: Palmer & Stone Forest	108
Packing & Shipping	110
Policies & Procedures	111
China Sinks	113
Anatomy of a Leg System	114
Tubing Diameter Reference	115

Classic Collection	Images	Pricing
T Tapered Foot	11	46
C Decorative Collar	12	50
BL Ball Foot	13	54
B Bun Foot	14	58

Traditional Collection

E Essex	15	62
W Westport	16	64
CAP Capital	17	66
K Kingston	18	68
V Victorian	19	70
REN Renaissance	20	71
P Providence	21	72
N Newport	22	74
BAY Bayonne	23	76
FR Franklin	23	77

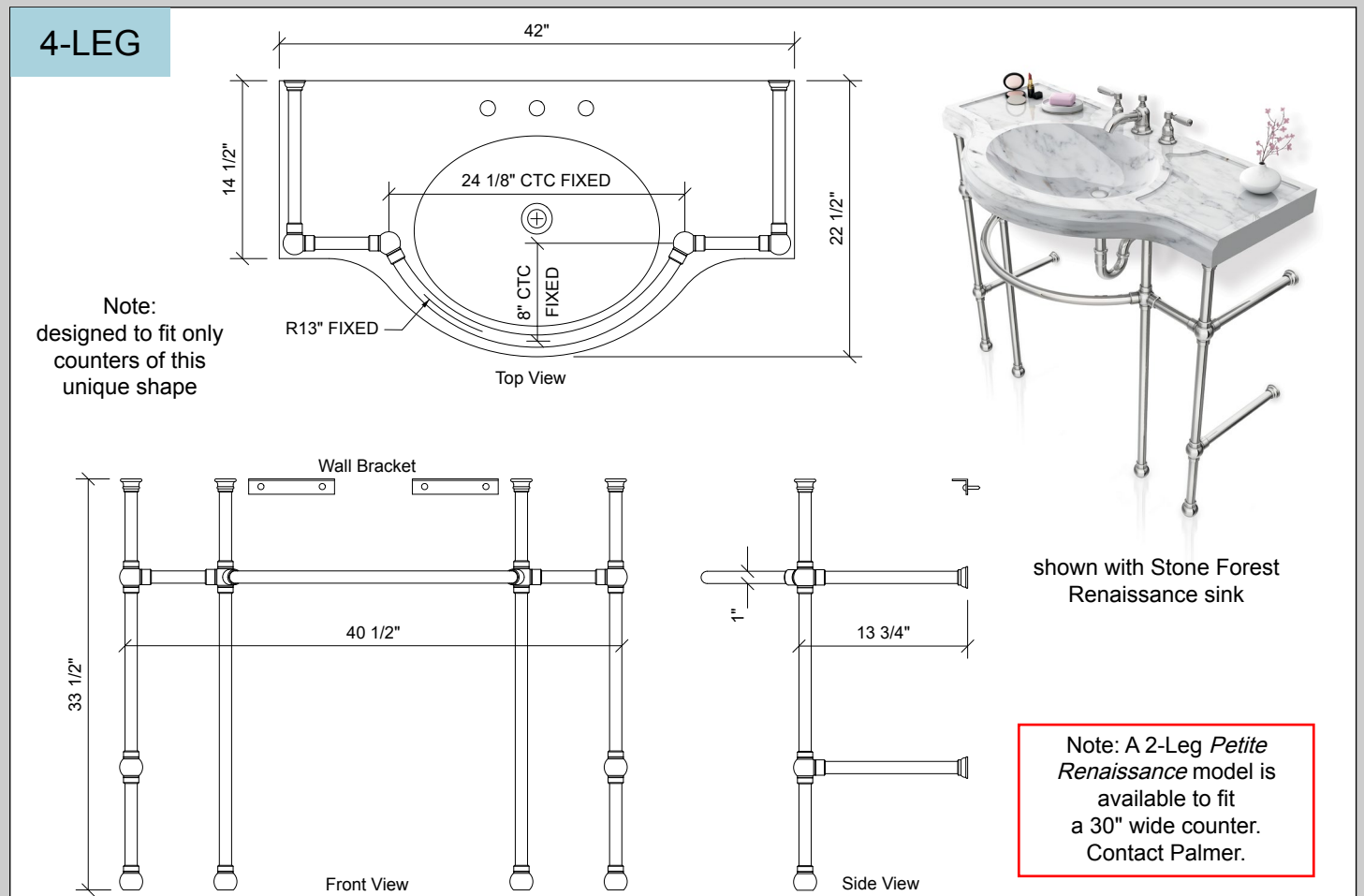
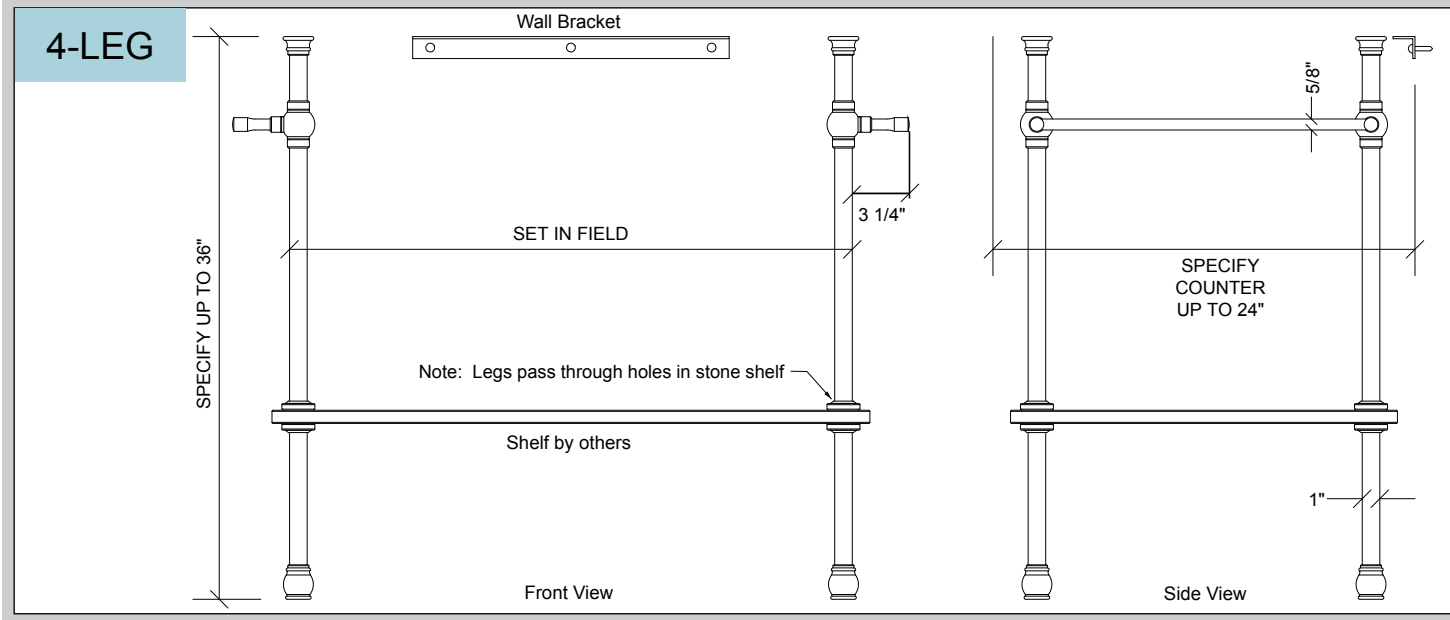
Modern Collection

S Studio	24	78
M Minimal	25	82
MET Metro	26	84
MOD Modern	27	88
SQ Square	28	90
L Linear	29	92
J Jamestown	30	93
AV Avery	31	94
BR Bristol	32	95



Styles

Style	Images	Pricing
<b>Classic Collection</b>		
T Tapered Foot	11	46
C Decorative Collar	12	50
BL Ball Foot	13	54
B Bun Foot	14	58
<b>Traditional Collection</b>		
E Essex	15	62
W Westport	16	64
CAP Capital	17	66
K Kingston	18	68
V Victorian	19	70
REN Renaissance	20	71
P Providence	21	72
N Newport	22	74
BAY Bayonne	23	76
FR Franklin	23	77
<b>Modern Collection</b>		
S Studio	24	78
M Minimal	25	82
MET Metro	26	84
MOD Modern	27	88
SQ Square	28	90
L Linear	29	92
J Jamestown	30	93
AV Avery	31	94
BR Bristol	32	95
<b>Wall Mount Collection</b>		
REG Regency	33	96
A Apex	34	97
SG Signature	35	98



For sizes other than shown, and/or custom configurations, please contact Palmer for a quote

STEP #1: ESTABLISH BASE PRICE OF LEG SYSTEM

select the finish to determine price • PVD finishes are available - please see page 100

LEGS	DIA	MODEL	DESCRIPTION	PC - PN	PBUL	ABUL-ORB-SBL-SN-MB
4-LEG	1.0"	LS41V	LEG SYS 4-LEG 1.0" VICTORIAN	\$3,042	\$3,346	\$3,955

PC = POLISHED CHROME      ABUL = AGED BRASS UN-LACQUERED      SN = SATIN NICKEL  
 PN = POLISHED NICKEL      ORB = OIL RUBBED BRONZE      MB = SEMI-MATTE BLACK POWDER COAT  
 PBUL = POLISHED BRASS UN-LACQUERED      SBL = SATIN BRASS LACQUERED



The standard Victorian model as shown includes: 4 legs, 2 towel rails, and 4 split collar shelf supports designed to support a stone shelf supplied by the customer

For sizes other than shown, and/or custom configurations, please contact Palmer for a quote

STEP #1: ESTABLISH BASE PRICE OF LEG SYSTEM

select the finish to determine base price • PVD finishes are available - please see page 100

LEGS	DIA	MODEL	DESCRIPTION	PC - PN	PBUL	ABUL-ORB-SBL-SN-MB
4-LEG	1.0"	LS41REN	LEG SYS 4-LEG 1.0" RENAISSANCE	\$4,980	\$5,190	6,235

PC = POLISHED CHROME      ABUL = AGED BRASS UN-LACQUERED      SN = SATIN NICKEL  
 PN = POLISHED NICKEL      ORB = OIL RUBBED BRONZE      MB = SEMI-MATTE BLACK POWDER COAT  
 PBUL = POLISHED BRASS UN-LACQUERED      SBL = SATIN BRASS LACQUERED      PVD FINISHES ARE AVAILABLE - please see page 100

IF YOU ARE NOT ORDERING ANY OPTIONS YOU ARE DONE - calculate shipping costs on pg. 110 & complete the order form on pg. 109

STEP #2: SELECT YOUR OPTIONS & ACCESSORIES

ONLY the options & accessories listed below may be used with the VICTORIAN style

TURN TO OPTIONS TAB (pg. 102)

Please select only from the Options & Accessories listed here for use with the VICTORIAN style

Turn to the Options & Finishes Tab page for pricing & details

**Towel Shelf Options:**

Victorian designed to receive customer-supplied stone shelf only

---

**Shelf Support Options:**  
required for all shelves

Includes Split Collar Shelf Support

**Additional Options & Accessories:**

Includes 2 Auxiliary Towel Rails

**Available Options:**

Hammered Ball Fittings (HB)  
Reeded Tubing (RT)  
Wall Brackets: non-standard (WB)

Standard Wall Bracket(s) included with all leg systems February 2023 Price List

STEP #2: SELECT YOUR OPTIONS & ACCESSORIES

ONLY the options & accessories listed below may be used with the RENAISSANCE style

TURN TO OPTIONS TAB (pg. 102)

Please select only from the Options & Accessories listed here for use with the RENAISSANCE style

Turn to the Options & Finishes Tab Page for pricing & details

**Towel Shelf Options:**

Tubular Metal Shelf (TS)  
Glass Shelf (GS)  
Teak Wood Shelf (WS)

---

**Shelf Support Options:**  
required for all shelves

Includes Rail Shelf Support

**Additional Options & Accessories:**

Reeded Tubing (RT)  
Hammered Ball Fittings (HB)  
Wall Brackets: non-standard (WB)  
Auxiliary Towel Rail (TR)  
TP Holder (TP)

Standard Wall Bracket(s) included with all leg systems M-F 9-5:30 EST

Finishes, Options & Accessories

Finishes & Materials	36	100
Shelving & Supports	38	102
Options & Accessories	40	104

Appendices

Order Forms: Palmer & Stone Forest	108
Packing & Shipping	110
Policies & Procedures	111
China Sinks	113
Anatomy of a Leg System	114
Tubing Diameter Reference	115



Styles

Classic Collection

Style	Images	Pricing
<b>T</b> Tapered Foot	11	46
<b>C</b> Decorative Collar	12	50
<b>BL</b> Ball Foot	13	54
<b>B</b> Bun Foot	14	58

Traditional Collection

<b>E</b> Essex	15	62
<b>W</b> Westport	16	64
<b>CAP</b> Capital	17	66
<b>K</b> Kingston	18	68
<b>V</b> Victorian	19	70
<b>REN</b> Renaissance	20	71
<b>P</b> Providence	21	72
<b>N</b> Newport	22	74
<b>BAY</b> Bayonne	23	76
<b>FR</b> Franklin	23	77

Modern Collection

<b>S</b> Studio	24	78
<b>M</b> Minimal	25	82
<b>MET</b> Metro	26	84
<b>MOD</b> Modern	27	88
<b>SQ</b> Square	28	90
<b>L</b> Linear	29	92
<b>J</b> Jamestown	30	93
<b>AV</b> Avery	31	94
<b>BR</b> Bristol	32	95

Wall Mount Collection

<b>REG</b> Regency	33	96
<b>A</b> Apex	34	97
<b>SG</b> Signature	35	98

Finishes, Options & Accessories

Finishes & Materials	36	100
Shelving & Supports	38	102
Options & Accessories	40	104

Appendices

Order Forms: Palmer & Stone Forest	108
Packing & Shipping	110
Policies & Procedures	111
China Sinks	113
Anatomy of a Leg System	114
Tubing Diameter Reference	115

STEP #1: SELECT LEG SYSTEM CONFIGURATION

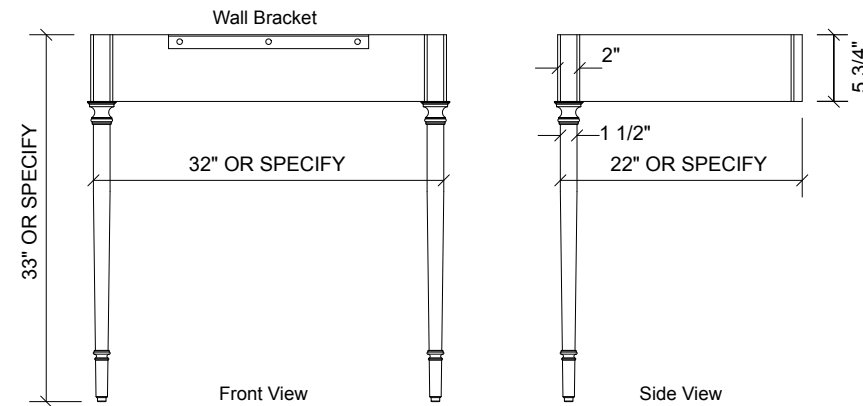
choose the configuration that best suits your counter size and number of sinks

2-LEG

UP TO 60" W COUNTERS

1 OR 2 SINKS

Standard Counter Size: 36"W x 24"D

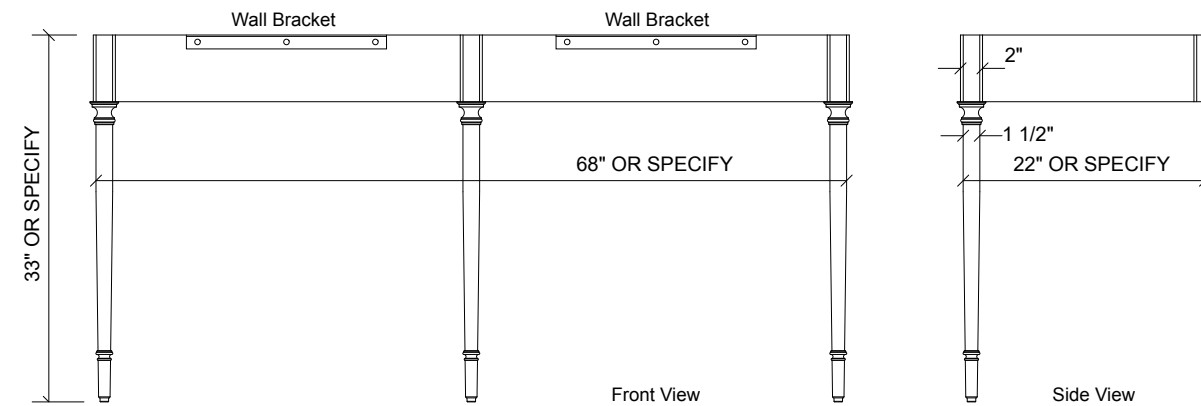


3-LEG

UP TO 90" W COUNTERS

2 SINKS

Standard Counter Size: 72"W x 24"D

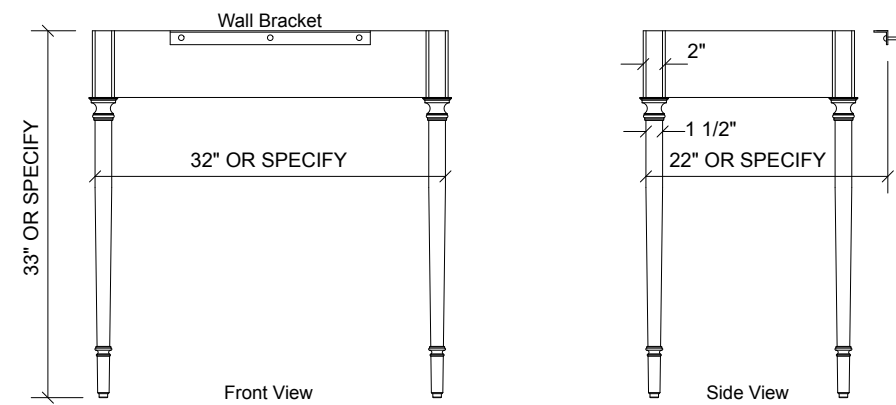


4-LEG

UP TO 60" W COUNTERS

1 OR 2 SINKS

Standard Counter Size: 36"W x 24"D

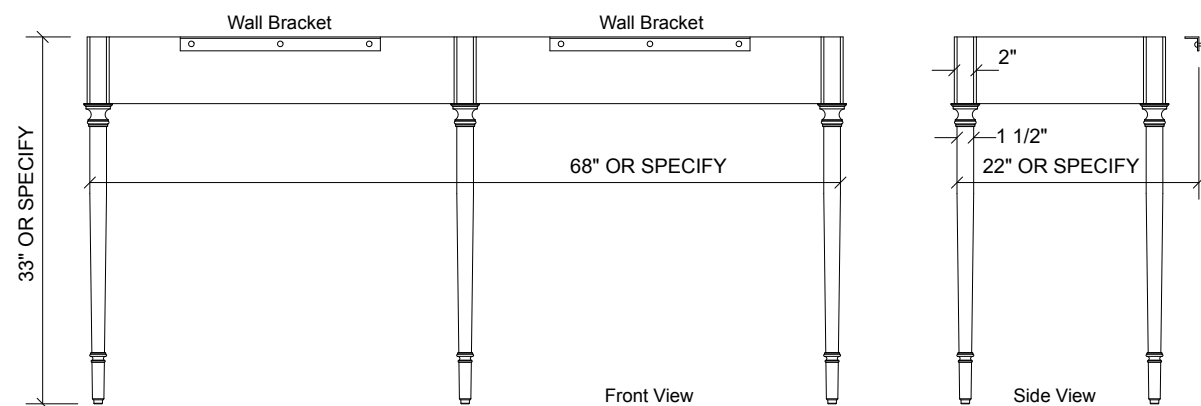


5-LEG

UP TO 90" W COUNTERS

2 SINKS

Standard Counter Size: 72"W x 24"D



Standard Wall Bracket(s) included with all leg systems

Custom Configurations are available - if you don't see what you want please call Palmer Customer Support

STEP #2: ESTABLISH BASE PRICE OF LEG SYSTEM

using the configuration from step #1, select the finish to determine base price

LEGS	DIA	MODEL	DESCRIPTION	PC - PN	SN	PBUL-ABUL-ORB-SBL-MB
2-LEG	1.5"	LS2P	LEG SYS 2-LEG 1.5" PROVIDENCE	\$6,760	\$7,136	\$6,760
3-LEG	1.5"	LS3P	LEG SYS 3-LEG 1.5" PROVIDENCE	\$10,266	\$10,766	\$10,266
4-LEG	1.5"	LS4P	LEG SYS 4-LEG 1.5" PROVIDENCE	\$11,392	\$12,018	\$11,392
5-LEG	1.5"	LS5P	LEG SYS 5-LEG 1.5" PROVIDENCE	\$15,148	\$15,899	\$15,148

PC = POLISHED CHROME  
 PN = POLISHED NICKEL  
 PBUL = POLISHED BRASS UN-LACQUERED

ABUL = AGED BRASS UN-LACQUERED  
 ORB = OIL RUBBED BRONZE  
 SBL = SATIN BRASS LACQUERED

SN = SATIN NICKEL  
 MB = SEMI-MATTE BLACK POWDER COAT

SATIN BRASS PVD & SATIN GOLD PVD FINISHES ARE AVAILABLE - please see page 100

SIZING THE PROVIDENCE LEG SYSTEM

The width and depth of the Providence leg system is determined by the lengths of the stone aprons.

Palmer will provide detailed drawings and specifications for the 5 3/4" high stone apron pieces required.

Prices include leg heights up to a maximum of 36".

ALL STONE PROVIDED BY CUSTOMER.

IF YOU ARE NOT ORDERING ANY OPTIONS YOU ARE DONE - calculate shipping costs on pg. 110 & complete the order form on pg. 108

STEP #3: SELECT YOUR OPTIONS & ACCESSORIES

ONLY the options & accessories listed below may be used with the PROVIDENCE style

TURN TO OPTIONS TAB (pg. 102)

Please select only from the Options & Accessories listed here for use with the PROVIDENCE style



Turn to the Options & Finishes Tab Page for pricing & details

Towel Shelf Options:

- Tubular Metal Shelf (TS)
- Glass Shelf (GS)
- Teak Wood Shelf (WS)

Shelf Support Options: required for all shelves

- Low Profile Shelf Support (SS\_LP)
- Clip Shelf Support (SS\_C)

Additional Options & Accessories:

- ADA Compliant Configuration (ADA)
- Wall Brackets: non-standard (WB)
- Auxiliary Towel Rail (TR)
- TP Holder (TP)



R-020723 R-020723



STEP #1: SELECT LEG SYSTEM CONFIGURATION

choose the configuration that best suits your counter size and number of sinks

**1-LEG**  
ANY WIDTH COUNTER  
Wall Bracket not included with single legs - see pg. 106  
33 1/2" FIXED  
1 1/2"

**2-LEG**  
UP TO 60" W COUNTERS  
1 OR 2 SINKS  
Standard Counter Size: 36"W x 24"D  
33 1/2" FIXED  
32" OR SPECIFY  
22" OR SPECIFY  
1 1/2"

**3-LEG**  
UP TO 90" W COUNTERS  
2 SINKS  
Standard Counter Size: 72"W x 24"D  
33 1/2" FIXED  
68" OR SPECIFY  
22" OR SPECIFY  
1 1/2"

**4-LEG**  
UP TO 60" W COUNTERS  
1 OR 2 SINKS  
Standard Counter Size: 36"W x 24"D  
33 1/2" FIXED  
32" OR SPECIFY  
22" OR SPECIFY  
1 1/2"

**5-LEG**  
UP TO 90" W COUNTERS  
2 SINKS  
Standard Counter Size: 72"W x 24"D  
33 1/2" FIXED  
68" OR SPECIFY  
22" OR SPECIFY  
1 1/2"

Standard Wall Bracket(s) included with all leg systems

Custom Configurations are available - if you don't see what you want please call Palmer Customer Support

STEP #2: ESTABLISH BASE PRICE OF LEG SYSTEM

using the configuration from step #1, select the finish to determine base price

LEGS	DIA	MODEL	DESCRIPTION	PC - PN	PBUL	ABUL-ORB-SBL-SN-MB
1-LEG	1.5"	N150	LEG SINGLE 1.5" NEWPORT	\$1,611	\$1,611	\$1,935
2-LEG	1.5"	LS2N	LEG SYS 2-LEG 1.5" NEWPORT	\$4,845	\$4,845	\$5,813
3-LEG	1.5"	LS3N	LEG SYS 3-LEG 1.5" NEWPORT	\$7,826	\$7,826	\$9,391
4-LEG	1.5"	LS4N	LEG SYS 4-LEG 1.5" NEWPORT	\$8,043	\$8,043	\$9,652
5-LEG	1.5"	LS5N	LEG SYS 5-LEG 1.5" NEWPORT	\$10,759	\$10,759	\$12,911

PC = POLISHED CHROME  
PN = POLISHED NICKEL  
PBUL = POLISHED BRASS UN-LACQUERED

ABUL = AGED BRASS UN-LACQUERED  
ORB = OIL RUBBED BRONZE  
SBL = SATIN BRASS LACQUERED

SN = SATIN NICKEL  
MB = SEMI-MATTE BLACK POWDER COAT

BECAUSE OUR RICH WALNUT HEARTWOOD IS A NATURAL PRODUCT, COLOR AND WOOD GRAIN MAY VARY AS EACH PIECE IS UNIQUE

width & depth can be field cut to reduce size

PVD FINISHES ARE AVAILABLE - please see page 100

STEP #3: ADD SIZE CHARGES TO BASE PRICE OF LEG SYSTEM

if your counter width is other than the "standard" size shown below, please add the appropriate size charges to the base price

COUNTER WIDTH	LEGS	COUNTER WIDTH	LEGS	COUNTER WIDTH
	2-LEG - OR - 4-LEG	36" (STANDARD SIZE)	LESS THAN 36"	3-LEG - OR - 5-LEG
\$157			72" (STANDARD SIZE)	
UP TO 42"		\$201	UP TO 78"	\$201
UP TO 48"		\$263	UP TO 84"	\$263
	UP TO 60"	\$376	UP TO 90"	\$376

**COUNTER DEPTH** NO CHARGE FOR COUNTER DEPTHS UP TO 24"

**LEG HEIGHT** LEG HEIGHT FIXED AT 33-1/2"\*

For sizes larger than shown, and/or custom configurations, please contact Palmer for a quote

\* the Newport style is only available with a fixed leg height of 33-1/2"

IF YOU ARE NOT ORDERING ANY OPTIONS YOU ARE DONE  
- calculate shipping costs on pg. 110 & complete the order form on pg. 108

STEP #4: SELECT YOUR OPTIONS & ACCESSORIES

ONLY the options & accessories listed below may be used with the NEWPORT style

TURN TO OPTIONS TAB (pg. 102)

Please select only from the Options & Accessories listed here for use with the NEWPORT style



Turn to the Options & Finishes Tab Page for pricing & details

Towel Shelf Options:

- Tubular Metal Shelf (TS)
- Glass Shelf (GS)

Shelf Support Options:  
required for all shelves

- Low Profile Shelf Support (SS\_LP)
- Clip Shelf Support (SS\_C)

Additional Options & Accessories:

- ADA Compliant Configuration (ADA)
- Curved Crossbar (CURV)
- Hammered Ball Fittings (HB)
- Wall Brackets: non-standard (WB)
- Auxiliary Towel Rail (TR)
- TP Holder (TP)

Classic Collection

- T Tapered Foot
- C Decorative Collar
- BL Ball Foot
- B Bun Foot

Traditional Collection

- E Essex
- W Westport
- CAP Capital
- K Kingston
- V Victorian
- REN Renaissance
- P Providence
- N Newport
- BAY Bayonne
- FR Franklin

Modern Collection

- S Studio
- M Minimal
- MET Metro
- MOD Modern
- SQ Square
- L Linear
- J Jamestown
- AV Avery
- BR Bristol

Wall Mount Collection

- REG Regency
- A Apex
- SG Signature

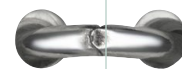
Finishes, Options & Accessories

Finishes & Materials	36	100
Shelving & Supports	38	102
Options & Accessories	40	104

Appendices

Order Forms: Palmer & Stone Forest	108
Packing & Shipping	110
Policies & Procedures	111
China Sinks	113
Anatomy of a Leg System	114
Tubing Diameter Reference	115

Images Pricing



R-020723

R-020723



Bayonne

SEE PHOTO ON PG. 23



LEG SYSTEM CONFIGURATION

Franklin

SEE PHOTO ON PG. 23



LEG SYSTEM CONFIGURATION



# Table of Contents

Styles

## Classic Collection

Style	Images	Pricing
T Tapered Foot	11	46
C Decorative Collar	12	50
BL Ball Foot	13	54
B Bun Foot	14	58

## Traditional Collection

E Essex	15	62
W Westport	16	64
CAP Capital	17	66
K Kingston	18	68
V Victorian	19	70
REN Renaissance	20	71
P Providence	21	72
N Newport	22	74
BAY Bayonne	23	76
FR Franklin	23	77

## Modern Collection

S Studio	24	78
M Minimal	25	82
MET Metro	26	84
MOD Modern	27	88
SQ Square	28	90
L Linear	29	92
J Jamestown	30	93
AV Avery	31	94
BR Bristol	32	95

## Wall Mount Collection

REG Regency	33	96
A Apex	34	97
SG Signature	35	98

## Finishes, Options & Accessories

Finishes & Materials	36	100
Shelving & Supports	38	102
Options & Accessories	40	104

## Appendices

Order Forms: Palmer & Stone Forest	108
Packing & Shipping	110
Policies & Procedures	111
China Sinks	113
Anatomy of a Leg System	114
Tubing Diameter Reference	115

**4-LEG**

Note: designed to fit only counters of this unique shape

shown with Stone Forest Bayonne sink

Our rich walnut heartwood is a natural product; color tone and wood grain will vary as each piece is unique

**4-LEG**

Note: designed to fit only counters of this unique shape

For sizes other than shown, and/or custom configurations, please contact Palmer for a quote

For sizes other than shown, and/or custom configurations, please contact Palmer for a quote

### STEP #1: ESTABLISH BASE PRICE OF LEG SYSTEM

select the finish to determine base price • PVD finishes are available - please see page 100

LEGS	DIA	MODEL	DESCRIPTION	PC - PN	PBUL	ABUL-ORB-SBL-SN-MB
4-LEG	1.5"	LS4BAY	LEG SYS 4-LEG 1.5" BAYONNE	\$9,835	\$9,835	\$10,819

PC = POLISHED CHROME      ABUL = AGED BRASS UN-LACQUERED      SN = SATIN NICKEL  
 PN = POLISHED NICKEL      ORB = OIL RUBBED BRONZE      MB = SEMI-MATTE BLACK POWDER COAT  
 PBUL = POLISHED BRASS UN-LACQUERED      SBL = SATIN BRASS LACQUERED      PVD FINISHES ARE AVAILABLE - please see page 100

IF YOU ARE NOT ORDERING ANY OPTIONS YOU ARE DONE - calculate shipping costs on pg. 110 & complete the order form on pg. 108

### STEP #2: SELECT YOUR OPTIONS & ACCESSORIES

ONLY the options & accessories listed below may be used with the BAYONNE style

TURN TO OPTIONS

TAB (pg. 102)

Please select only from the Options & Accessories listed here for use with the BAYONNE style



Turn to the Options & Finishes Tab Page for pricing & details

#### Towel Shelf Options:

Tubular Metal Shelf (TS)  
 Glass Shelf (GS)

#### Shelf Support Options:

required for all shelves  
 Low Profile Shelf Support (SS\_LP)  
 Clip Shelf Support (SS\_C)

#### Additional Options & Accessories:

ADA Compliant Configuration (ADA)  
 Hammered Ball Fittings (HB)  
 Wall Brackets: non-standard (WB)  
 Auxiliary Towel Rail (TR)  
 TP Holder (TP)

### STEP #1: ESTABLISH BASE PRICE OF LEG SYSTEM

select the finish to determine base price • PVD finishes are available - please see page 100

LEGS	DIA	MODEL	DESCRIPTION	PC - PN	PBUL	ABUL-ORB-SBL-SN-MB
4-LEG	1.5"	LS4FR	LEG SYS 4-LEG 1.5" FRANKLIN	\$7,124	\$7,124	\$7,837

PC = POLISHED CHROME      ABUL = AGED BRASS UN-LACQUERED      SN = SATIN NICKEL  
 PN = POLISHED NICKEL      ORB = OIL RUBBED BRONZE      MB = SEMI-MATTE BLACK POWDER COAT  
 PBUL = POLISHED BRASS UN-LACQUERED      SBL = SATIN BRASS LACQUERED      PVD FINISHES ARE AVAILABLE - please see page 100

IF YOU ARE NOT ORDERING ANY OPTIONS YOU ARE DONE - calculate shipping costs on pg. 110 & complete the order form on pg. 108

### STEP #2: SELECT YOUR OPTIONS & ACCESSORIES

ONLY the options & accessories listed below may be used with the FRANKLIN style

TURN TO OPTIONS

TAB (pg. 102)

Please select only from the Options & Accessories listed here for use with the FRANKLIN style



Turn to the Options & Finishes Tab Page for pricing & details

#### Towel Shelf Options:

Tubular Metal Shelf (TS)  
 Glass Shelf (GS)  
 Teak Wood Shelf (WS)

#### Shelf Support Options:

required for all shelves  
 Rail Shelf Support (SS\_R)  
 Low Profile Shelf Support (SS\_LP)  
 Clip Shelf Support (SS\_C)  
 Split Collar Shelf Support (SS\_SC)

#### Additional Options & Accessories:

ADA Compliant Configuration (ADA)  
 Hammered Ball Fittings (HB)  
 Wall Brackets: non-standard (WB)  
 Auxiliary Towel Rail (TR)  
 TP Holder (TP)

Standard Wall Bracket(s) included with all leg systems

February 2023 Price List

PalmerIndustries.com

401-421-1730

Standard Wall Bracket(s) included with all leg systems

M-F 9-5:30 EST

77



Classic Collection

T	Tapered Foot	11	46
C	Decorative Collar	12	50
BL	Ball Foot	13	54
B	Bun Foot	14	58

Traditional Collection

E	Essex	15	62
W	Westport	16	64
CAP	Capital	17	66
K	Kingston	18	68
V	Victorian	19	70
REN	Renaissance	20	71
P	Providence	21	72
N	Newport	22	74
BAY	Bayonne	23	76
FR	Franklin	23	77

Modern Collection

S	Studio	24	78
M	Minimal	25	82
MET	Metro	26	84
MOD	Modern	27	88
SQ	Square	28	90
L	Linear	29	92
J	Jamestown	30	93
AV	Avery	31	94
BR	Bristol	32	95

Wall Mount Collection

REG	Regency	33	96
A	Apex	34	97
SG	Signature	35	98

Finishes, Options & Accessories

Finishes & Materials	36	100
Shelving & Supports	38	102
Options & Accessories	40	104

Appendices

Order Forms: Palmer & Stone Forest	108
Packing & Shipping	110
Policies & Procedures	111
China Sinks	113
Anatomy of a Leg System	114
Tubing Diameter Reference	115

STEP #1: SELECT LEG SYSTEM CONFIGURATION

choose the configuration that best suits your counter size and number of sinks

**1-LEG**  
ANY WIDTH COUNTER  
Wall Bracket not included with single legs - see pg. 106  
1 1/2"  
32" OR SPECIFY

**2-LEG**  
UP TO 60" W COUNTERS  
1 OR 2 SINKS  
Standard Counter Size: 36"W x 24"D  
32" OR SPECIFY  
32" OR SPECIFY  
22" OR SPECIFY  
1 1/2"

**3-LEG**  
UP TO 90" W COUNTERS  
2 SINKS  
Standard Counter Size: 72"W x 24"D  
32" OR SPECIFY  
68" OR SPECIFY  
22" OR SPECIFY  
1 1/2"

**4-LEG**  
UP TO 60" W COUNTERS  
1 OR 2 SINKS  
Standard Counter Size: 36"W x 24"D  
32" OR SPECIFY  
32" OR SPECIFY  
22" OR SPECIFY  
1 1/2"

**5-LEG**  
UP TO 90" W COUNTERS  
2 SINKS  
Standard Counter Size: 72"W x 24"D  
32" OR SPECIFY  
68" OR SPECIFY  
22" OR SPECIFY  
1 1/2"

Standard Wall Bracket(s) included with all leg systems

Custom Configurations are available - if you don't see what you want please call Palmer Customer Support

STEP #2: ESTABLISH BASE PRICE OF LEG SYSTEM

using the configuration from step #1, select the finish to determine base price

LEGS	DIA	MODEL	DESCRIPTION	PC - PN	PBUL	ABUL-ORB-SBL-SN-MB
1-LEG	1.5"	S150	LEG SINGLE 1.5" STUDIO	\$664	\$732	\$865
2-LEG	1.5"	LS2S	LEG SYS 2-LEG 1.5" STUDIO w/ REAR RISERS	\$2,819	\$3,102	\$3,666
		LS2SNR	LEG SYS 2-LEG 1.5" STUDIO NO REAR RISERS	\$2,364	\$2,600	\$3,073
3-LEG	1.5"	LS3S	LEG SYS 3-LEG 1.5" STUDIO w/ REAR RISERS	\$4,467	\$4,913	\$5,808
		LS3SNR	LEG SYS 3-LEG 1.5" STUDIO NO REAR RISERS	\$3,784	\$4,162	\$4,919
4-LEG	1.5"	LS4S	LEG SYS 4-LEG 1.5" STUDIO	\$3,971	\$4,369	\$5,680
5-LEG	1.5"	LS5S	LEG SYS 5-LEG 1.5" STUDIO	\$5,661	\$6,228	\$7,359

PC = POLISHED CHROME  
 PN = POLISHED NICKEL  
 PBUL = POLISHED BRASS UN-LACQUERED  
 ABUL = AGED BRASS UN-LACQUERED  
 ORB = OIL RUBBED BRONZE  
 SBL = SATIN BRASS LACQUERED  
 SN = SATIN NICKEL  
 MB = SEMI-MATTE BLACK POWDER COAT

can be field cut to reduce size

PVD FINISHES ARE AVAILABLE - please see page 100

STEP #3: ADD SIZE CHARGES TO BASE PRICE OF LEG SYSTEM

if your counter width is other than the "standard" size shown below, please add the appropriate size charges to the base price

COUNTER WIDTH	LEGS	COUNTER WIDTH	LEGS	COUNTER WIDTH	
	2-LEG - OR - 4-LEG	LESS THAN 36"	\$157	3-LEG - OR - 5-LEG	LESS THAN 72"
36" (STANDARD SIZE)			\$0		72" (STANDARD SIZE)
UP TO 42"		\$201	UP TO 78"	\$201	
UP TO 48" *		\$263	UP TO 84"	\$263	
UP TO 60" *	\$376	UP TO 90"	\$376		

COUNTER DEPTH NO CHARGE FOR COUNTER DEPTHS UP TO 24"

LEG HEIGHT NO CHARGE FOR LEG HEIGHTS UP TO 36"

For sizes larger than shown, and/or custom configurations, please contact Palmer for a quote

\* front riser(s) should be considered for counters 48" or wider (see pg. 104)

IF YOU ARE NOT ORDERING ANY OPTIONS YOU ARE DONE - calculate shipping costs on pg. 110 & complete the order form on pg. 108

STEP #4: SELECT YOUR OPTIONS & ACCESSORIES

ONLY the options & accessories listed below may be used with this STUDIO style

TURN TO OPTIONS TAB (pg. 102)

Please select only from the Options & Accessories listed here for use with this STUDIO style



Turn to the Options & Finishes Tab Page for pricing & details

Towel Shelf Options:

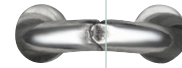
- Tubular Metal Shelf (TS)
- Glass Shelf (GS)
- Teak Wood Shelf (WS)

Shelf Support Options: required for all shelves

- Rail Shelf Support (SS\_R)
- Low Profile Shelf Support (SS\_LP)
- Clip Shelf Support (SS\_C)
- Split Collar Shelf Support (SS\_SC)

Additional Options & Accessories:

- Front Riser (FR)
- Split Diameter (SD)
- ADA Compliant Configuration (ADA)
- Curved Crossbar (CURV)
- Solid Acrylic Rod (ACR)
- Wall Brackets: non-standard (WB)
- Auxiliary Towel Rail (TR)
- TP Holder (TP)



R-020723

R-020723





Classic Collection

T	Tapered Foot	11	46
C	Decorative Collar	12	50
BL	Ball Foot	13	54
B	Bun Foot	14	58

Traditional Collection

E	Essex	15	62
W	Westport	16	64
CAP	Capital	17	66
K	Kingston	18	68
V	Victorian	19	70
REN	Renaissance	20	71
P	Providence	21	72
N	Newport	22	74
BAY	Bayonne	23	76
FR	Franklin	23	77

Modern Collection

S	Studio	24	78
M	Minimal	25	82
MET	Metro	26	84
MOD	Modern	27	88
SQ	Square	28	90
L	Linear	29	92
J	Jamestown	30	93
AV	Avery	31	94
BR	Bristol	32	95

Wall Mount Collection

REG	Regency	33	96
A	Apex	34	97
SG	Signature	35	98

Finishes, Options & Accessories

Finishes & Materials	36	100
Shelving & Supports	38	102
Options & Accessories	40	104

Appendices

Order Forms: Palmer & Stone Forest	108
Packing & Shipping	110
Policies & Procedures	111
China Sinks	113
Anatomy of a Leg System	114
Tubing Diameter Reference	115

STEP #1: SELECT LEG SYSTEM CONFIGURATION

choose the configuration that best suits your counter size and number of sinks

**1-LEG**  
ANY WIDTH COUNTER  
Wall Bracket not included with single legs - see pg. 106  
32" OR SPECIFY  
1"

**2-LEG**  
UP TO 60" W COUNTERS  
1 OR 2 SINKS  
Standard Counter Size: 36"W x 24"D  
32" OR SPECIFY  
32" OR SPECIFY  
Wall Bracket  
22" OR SPECIFY  
Optional Decorative Rear-Risers  
Front View  
Side View

**3-LEG**  
UP TO 90" W COUNTERS  
2 SINKS  
Standard Counter Size: 72"W x 24"D  
32" OR SPECIFY  
Includes Center Wall Return  
68" OR SPECIFY  
22" OR SPECIFY  
Optional Decorative Rear-Risers  
Front View  
Side View

**4-LEG**  
UP TO 60" W COUNTERS  
1 OR 2 SINKS  
Standard Counter Size: 36"W x 24"D  
32" OR SPECIFY  
32" OR SPECIFY  
22" OR SPECIFY  
Front View  
Side View

**5-LEG**  
UP TO 90" W COUNTERS  
2 SINKS  
Standard Counter Size: 72"W x 24"D  
32" OR SPECIFY  
Includes Center Wall Return  
68" OR SPECIFY  
22" OR SPECIFY  
Front View  
Side View

Standard Wall Bracket(s) included with all leg systems

Custom Configurations are available - if you don't see what you want please call Palmer Customer Support

STEP #2: ESTABLISH BASE PRICE OF LEG SYSTEM

using the configuration from step #1, select the finish to determine base price

LEGS	DIA	MODEL	DESCRIPTION	PC - PN	PBUL	ABUL-ORB-SBL-SN-MB
1-LEG	1.0"	S100	LEG SINGLE 1.0" STUDIO	\$494	\$545	\$643
2-LEG	1.0"	LS21S	LEG SYS 2-LEG 1.0" STUDIO w/ REAR RISERS	\$1,969	\$2,167	\$2,561
		LS21SNR	LEG SYS 2-LEG 1.0" STUDIO NO REAR RISERS	\$1,680	\$1,849	\$2,185
3-LEG	1.0"	LS31S	LEG SYS 3-LEG 1.0" STUDIO w/ REAR RISERS	\$3,142	\$3,455	\$4,084
		LS31SNR	LEG SYS 3-LEG 1.0" STUDIO NO REAR RISERS	\$2,707	\$2,978	\$3,519
4-LEG	1.0"	LS41S	LEG SYS 4-LEG 1.0" STUDIO	\$2,701	\$2,970	\$3,512
5-LEG	1.0"	LS51S	LEG SYS 5-LEG 1.0" STUDIO	\$3,891	\$4,280	\$5,059

PC = POLISHED CHROME  
 PN = POLISHED NICKEL  
 PBUL = POLISHED BRASS UN-LACQUERED

ABUL = AGED BRASS UN-LACQUERED  
 ORB = OIL RUBBED BRONZE  
 SBL = SATIN BRASS LACQUERED

SN = SATIN NICKEL  
 MB = SEMI-MATTE BLACK POWDER COAT

can be field cut to reduce size

PVD FINISHES ARE AVAILABLE - please see page 100

STEP #3: ADD SIZE CHARGES TO BASE PRICE OF LEG SYSTEM

if your counter width is other than the "standard" size shown below, please add the appropriate size charges to the base price

COUNTER WIDTH	LEGS	COUNTER WIDTH	LEGS	COUNTER WIDTH	
	2-LEG - OR - 4-LEG	LESS THAN 36"	\$157	3-LEG - OR - 5-LEG	LESS THAN 72"
36" (STANDARD SIZE)			\$0		72" (STANDARD SIZE)
UP TO 42"		\$201	UP TO 78"		\$201
UP TO 48"		\$263	UP TO 84"		\$263
UP TO 60"		\$376	UP TO 90"		\$376

COUNTER DEPTH NO CHARGE FOR COUNTER DEPTHS UP TO 24"

LEG HEIGHT NO CHARGE FOR LEG HEIGHTS UP TO 36"

For sizes larger than shown, and/or custom configurations, please contact Palmer for a quote

IF YOU ARE NOT ORDERING ANY OPTIONS YOU ARE DONE - calculate shipping costs on pg. 110 & complete the order form on pg. 108

STEP #4: SELECT YOUR OPTIONS & ACCESSORIES

ONLY the options & accessories listed below may be used with this STUDIO style

TURN TO OPTIONS TAB (pg. 102)

Please select only from the Options & Accessories listed here for use with this STUDIO style



Turn to the Options & Finishes Tab Page for pricing & details

Towel Shelf Options:

- Tubular Metal Shelf (TS)
- Glass Shelf (GS)
- Teak Wood Shelf (WS)

Shelf Support Options: required for all shelves

- Rail Shelf Support (SS\_R)
- Low Profile Shelf Support (SS\_LP)
- Clip Shelf Support (SS\_C)
- Split Collar Shelf Support (SS\_SC)

Additional Options & Accessories:

- ADA Compliant Configuration (ADA)
- Curved Crossbar (CURV)
- Wall Brackets: non-standard (WB)
- Auxiliary Towel Rail (TR)
- TP Holder (TP)



R-020723

R-020723



STEP #1: SELECT LEG SYSTEM CONFIGURATION

choose the configuration that best suits your counter size and number of sinks

**1-LEG**  
ANY WIDTH COUNTER  
Wall Bracket not included with single legs - see pg. 106  
33" OR SPECIFY  
1 1/2"

**2-LEG**  
UP TO 60" W COUNTERS  
1 OR 2 SINKS  
Standard Counter Size: 36"W x 24"D  
33" OR SPECIFY  
32" OR SPECIFY  
22" OR SPECIFY  
1 1/2"

**3-LEG**  
UP TO 90" W COUNTERS  
2 SINKS  
Standard Counter Size: 72"W x 24"D  
33" OR SPECIFY  
68" OR SPECIFY  
22" OR SPECIFY  
1 1/2"

**4-LEG**  
UP TO 60" W COUNTERS  
1 OR 2 SINKS  
Standard Counter Size: 36"W x 24"D  
33" OR SPECIFY  
32" OR SPECIFY  
22" OR SPECIFY  
1 1/2"

**5-LEG**  
UP TO 90" W COUNTERS  
2 SINKS  
Standard Counter Size: 72"W x 24"D  
33" OR SPECIFY  
68" OR SPECIFY  
22" OR SPECIFY  
1 1/2"

Standard Wall Bracket(s) included with all leg systems

Custom Configurations are available - if you don't see what you want please call Palmer Customer Support

STEP #2: ESTABLISH BASE PRICE OF LEG SYSTEM

using the configuration from step #1, select the finish to determine base price

LEGS	DIA	MODEL	DESCRIPTION	PC - PN	PBUL	ABUL-ORB-SBL-SN-MB
1-LEG	1.5"	M150	LEG SINGLE 1.5" MINIMAL	\$1,024	\$1,127	\$1,332
2-LEG	1.5"	LS2M	LEG SYS 2-LEG 1.5" MINIMAL	\$2,938	\$3,232	\$3,821
3-LEG	1.5"	LS3M	LEG SYS 3-LEG 1.5" MINIMAL	\$4,623	\$5,087	\$6,010
4-LEG	1.5"	LS4M	LEG SYS 4-LEG 1.5" MINIMAL	\$5,022	\$5,524	\$6,529
5-LEG	1.5"	LS5M	LEG SYS 5-LEG 1.5" MINIMAL	\$6,494	\$7,143	\$8,442

PC = POLISHED CHROME  
PN = POLISHED NICKEL  
PBUL = POLISHED BRASS UN-LACQUERED

ABUL = AGED BRASS UN-LACQUERED  
ORB = OIL RUBBED BRONZE  
SBL = SATIN BRASS LACQUERED

SN = SATIN NICKEL  
MB = SEMI-MATTE BLACK POWDER COAT

width & depth can be field cut to reduce size

PVD FINISHES ARE AVAILABLE - please see page 100

STEP #3: ADD SIZE CHARGES TO BASE PRICE OF LEG SYSTEM

if your counter width is other than the "standard" size shown below, please add the appropriate size charges to the base price

COUNTER WIDTH	LEGS	COUNTER WIDTH	LEGS	COUNTER WIDTH
	2-LEG - OR - 4-LEG		LESS THAN 36"	3-LEG - OR - 5-LEG
36" (STANDARD SIZE)			72" (STANDARD SIZE)	
UP TO 42"			UP TO 78"	
UP TO 48"			UP TO 84"	
UP TO 60"			UP TO 90"	

<b>COUNTER DEPTH</b>	NO CHARGE FOR COUNTER DEPTHS UP TO 24"
<b>LEG HEIGHT</b>	NO CHARGE FOR LEG HEIGHTS UP TO 36" *

For sizes larger than shown, and/or custom configurations, please contact Palmer for a quote

\* the Minimal style requires a minimum leg height of 33" due to the tapered leg shape

IF YOU ARE NOT ORDERING ANY OPTIONS YOU ARE DONE  
- calculate shipping costs on pg. 110 & complete the order form on pg. 108

STEP #4: SELECT YOUR OPTIONS & ACCESSORIES

ONLY the options & accessories listed below may be used with the MINIMAL style

TURN TO OPTIONS TAB (pg. 102)

Please select only from the Options & Accessories listed here for use with the MINIMAL style



Turn to the Options & Finishes Tab Page for pricing & details

**Towel Shelf Options:**

Tubular Metal Shelf (TS)
Glass Shelf (GS)
Teak Wood Shelf (WS)

**Shelf Support Options:**  
required for all shelves

Low Profile Shelf Support (SS_LP)
Clip Shelf Support (SS_C)

**Additional Options & Accessories:**

ADA Compliant Configuration (ADA)
Curved Crossbar (CURV)
Wall Brackets: non-standard (WB)
Auxiliary Towel Rail (TR)
TP Holder (TP)

Styles	Images	Pricing
<i>Classic Collection</i>		
T Tapered Foot	11	46
C Decorative Collar	12	50
BL Ball Foot	13	54
B Bun Foot	14	58
<i>Traditional Collection</i>		
E Essex	15	62
W Westport	16	64
CAP Capital	17	66
K Kingston	18	68
V Victorian	19	70
REN Renaissance	20	71
P Providence	21	72
N Newport	22	74
BAY Bayonne	23	76
FR Franklin	23	77
<i>Modern Collection</i>		
S Studio	24	78
M Minimal	25	82
MET Metro	26	84
MOD Modern	27	88
SQ Square	28	90
L Linear	29	92
J Jamestown	30	93
AV Avery	31	94
BR Bristol	32	95
<i>Wall Mount Collection</i>		
REG Regency	33	96
A Apex	34	97
SG Signature	35	98

Finishes, Options & Accessories

Finishes & Materials	36	100
Shelving & Supports	38	102
Options & Accessories	40	104

Appendices

Order Forms: Palmer & Stone Forest	108
Packing & Shipping	110
Policies & Procedures	111
China Sinks	113
Anatomy of a Leg System	114
Tubing Diameter Reference	115



Metro

SEE PHOTO ON PG. 26

MET

LEG SYSTEM CONFIGURATIONS

1.5" DIAMETER TUBING

See Page 86 for 1.0" diameter

Metro

SEE PHOTO ON PG. 26

MET

BASE PRICING & SIZE CHARGES

1.5" DIAMETER TUBING

See Page 87 for 1.0" diameter



Table of Contents

Styles

Classic Collection

Style	Images	Pricing
<b>T</b> Tapered Foot	11	46
<b>C</b> Decorative Collar	12	50
<b>BL</b> Ball Foot	13	54
<b>B</b> Bun Foot	14	58

Traditional Collection

<b>E</b> Essex	15	62
<b>W</b> Westport	16	64
<b>CAP</b> Capital	17	66
<b>K</b> Kingston	18	68
<b>V</b> Victorian	19	70
<b>REN</b> Renaissance	20	71
<b>P</b> Providence	21	72
<b>N</b> Newport	22	74
<b>BAY</b> Bayonne	23	76
<b>FR</b> Franklin	23	77

Modern Collection

<b>S</b> Studio	24	78
<b>M</b> Minimal	25	82
<b>MET</b> Metro	26	84
<b>MOD</b> Modern	27	88
<b>SQ</b> Square	28	90
<b>L</b> Linear	29	92
<b>J</b> Jamestown	30	93
<b>AV</b> Avery	31	94
<b>BR</b> Bristol	32	95

Wall Mount Collection

<b>REG</b> Regency	33	96
<b>A</b> Apex	34	97
<b>SG</b> Signature	35	98

Finishes, Options & Accessories

Finishes & Materials	36	100
Shelving & Supports	38	102
Options & Accessories	40	104

Appendices

Order Forms: Palmer & Stone Forest	108
Packing & Shipping	110
Policies & Procedures	111
China Sinks	113
Anatomy of a Leg System	114
Tubing Diameter Reference	115

STEP #1: SELECT LEG SYSTEM CONFIGURATION

choose the configuration that best suits your counter size and number of sinks

**1-LEG**  
ANY WIDTH COUNTER  
Wall Bracket not included with single legs - see pg. 106  
1 1/2"  
32" OR SPECIFY

**2-LEG**  
UP TO 60" W COUNTERS  
1 OR 2 SINKS  
Standard Counter Size: 36"W x 24"D  
32" OR SPECIFY  
32" OR SPECIFY  
22" OR SPECIFY  
1 1/2"  
Front View  
Side View

**3-LEG**  
UP TO 90" W COUNTERS  
2 SINKS  
Standard Counter Size: 72"W x 24"D  
32" OR SPECIFY  
Includes Center Wall Return  
68" OR SPECIFY  
22" OR SPECIFY  
1 1/2"  
Front View  
Side View

**4-LEG**  
UP TO 60" W COUNTERS  
1 OR 2 SINKS  
Standard Counter Size: 36"W x 24"D  
32" OR SPECIFY  
32" OR SPECIFY  
22" OR SPECIFY  
1 1/2"  
Front View  
Side View

**5-LEG**  
UP TO 90" W COUNTERS  
2 SINKS  
Standard Counter Size: 72"W x 24"D  
32" OR SPECIFY  
No Center Wall Return  
68" OR SPECIFY  
22" OR SPECIFY  
1 1/2"  
Front View  
Side View

Standard Wall Bracket(s) included with all leg systems

Custom Configurations are available - if you don't see what you want please call Palmer Customer Support

February 2023 Price List

PalmerIndustries.com



STEP #2: ESTABLISH BASE PRICE OF LEG SYSTEM

using the configuration from step #1, select the finish to determine base price

LEGS	DIA	MODEL	DESCRIPTION	PC - PN	PBUL	ABUL-ORB-SBL-SN-MB
1-LEG	1.5"	MET150	LEG SINGLE 1.5" METRO	\$529	\$582	\$687
2-LEG	1.5"	LS2MET	LEG SYS 2-LEG 1.5" METRO	\$2,261	\$2,488	\$2,939
3-LEG	1.5"	LS3MET	LEG SYS 3-LEG 1.5" METRO	\$3,680	\$4,048	\$4,784
4-LEG	1.5"	LS4MET	LEG SYS 4-LEG 1.5" METRO	\$3,433	\$3,777	\$4,463
5-LEG	1.5"	LS5MET	LEG SYS 5-LEG 1.5" METRO	\$4,574	\$5,032	\$5,948

PC = POLISHED CHROME  
PN = POLISHED NICKEL  
PBUL = POLISHED BRASS UN-LACQUERED

ABUL = AGED BRASS UN-LACQUERED  
ORB = OIL RUBBED BRONZE  
SBL = SATIN BRASS LACQUERED

SN = SATIN NICKEL  
MB = SEMI-MATTE BLACK POWDER COAT

can be field cut to reduce size

PVD FINISHES ARE AVAILABLE - please see page 100

STEP #3: ADD SIZE CHARGES TO BASE PRICE OF LEG SYSTEM

if your counter width is other than the "standard" size shown below, please add the appropriate size charges to the base price

COUNTER WIDTH	LEGS	COUNTER WIDTH	LEGS	COUNTER WIDTH	
	2-LEG - OR - 4-LEG	LESS THAN 36"	\$157	3-LEG - OR - 5-LEG	LESS THAN 72"
36" (STANDARD SIZE)		\$0	72" (STANDARD SIZE)		\$0
UP TO 42"		\$201	UP TO 78"		\$201
UP TO 48"		\$263	UP TO 84"		\$263
		UP TO 60"	\$376	UP TO 90"	\$376

COUNTER DEPTH	NO CHARGE FOR COUNTER DEPTHS UP TO 24"
LEG HEIGHT	NO CHARGE FOR LEG HEIGHTS UP TO 36"

For sizes larger than shown, and/or custom configurations, please contact Palmer for a quote

IF YOU ARE NOT ORDERING ANY OPTIONS YOU ARE DONE  
- calculate shipping costs on pg. 110 & complete the order form on pg. 108

STEP #4: SELECT YOUR OPTIONS & ACCESSORIES

ONLY the options & accessories listed below may be used with this METRO style

TURN TO OPTIONS  
TAB (pg. 102)

Please select only from the Options & Accessories listed here for use with this METRO style



Turn to the Options & Finishes Tab Page for pricing & details

Towel Shelf Options:

Tubular Metal Shelf (TS)  
Glass Shelf (GS)  
Teak Wood Shelf (WS)

Shelf Support Options:  
required for all shelves

Low Profile Shelf Support (SS\_LP)  
Clip Shelf Support (SS\_C)  
Split Collar Shelf Support (SS\_SC)

Additional Options & Accessories:

ADA Compliant Configuration (ADA)  
Curved Crossbar (CURV)  
Wall Brackets: non-standard (WB)  
Auxiliary Towel Rail (TR)  
TP Holder (TP)

R-020723

R-020723





Metro

SEE PHOTO ON PG. 26



LEG SYSTEM CONFIGURATIONS

### 1.0" DIAMETER TUBING

See page 84 for 1.5" diameter

Metro

SEE PHOTO ON PG. 26



BASE PRICING & SIZE CHARGES

### 1.0" DIAMETER TUBING

See page 85 for 1.5" diameter



## Table of Contents

Styles

#### Classic Collection

Style	Images	Pricing
<b>T</b> Tapered Foot	11	46
<b>C</b> Decorative Collar	12	50
<b>BL</b> Ball Foot	13	54
<b>B</b> Bun Foot	14	58

#### Traditional Collection

<b>E</b> Essex	15	62
<b>W</b> Westport	16	64
<b>CAP</b> Capital	17	66
<b>K</b> Kingston	18	68
<b>V</b> Victorian	19	70
<b>REN</b> Renaissance	20	71
<b>P</b> Providence	21	72
<b>N</b> Newport	22	74
<b>BAY</b> Bayonne	23	76
<b>FR</b> Franklin	23	77

#### Modern Collection

<b>S</b> Studio	24	78
<b>M</b> Minimal	25	82
<b>MET</b> Metro	26	84
<b>MOD</b> Modern	27	88
<b>SQ</b> Square	28	90
<b>L</b> Linear	29	92
<b>J</b> Jamestown	30	93
<b>AV</b> Avery	31	94
<b>BR</b> Bristol	32	95

#### Wall Mount Collection

<b>REG</b> Regency	33	96
<b>A</b> Apex	34	97
<b>SG</b> Signature	35	98

#### Finishes, Options & Accessories

Finishes & Materials	36	100
Shelving & Supports	38	102
Options & Accessories	40	104

#### Appendices

Order Forms: Palmer & Stone Forest	108
Packing & Shipping	110
Policies & Procedures	111
China Sinks	113
Anatomy of a Leg System	114
Tubing Diameter Reference	115

## STEP #1: SELECT LEG SYSTEM CONFIGURATION

choose the configuration that best suits your counter size and number of sinks

### 1-LEG

ANY WIDTH COUNTER

Wall Bracket not included with single legs - see pg. 106

32" OR SPECIFY

### 2-LEG

UP TO 60" W COUNTERS

1 OR 2 SINKS

Standard Counter Size: 36"W x 24"D

32" OR SPECIFY

32" OR SPECIFY

22" OR SPECIFY

5/8"

1"

### 3-LEG

UP TO 90" W COUNTERS

2 SINKS

Standard Counter Size: 72"W x 24"D

32" OR SPECIFY

68" OR SPECIFY

22" OR SPECIFY

5/8"

1"

### 4-LEG

UP TO 60" W COUNTERS

1 OR 2 SINKS

Standard Counter Size: 36"W x 24"D

32" OR SPECIFY

32" OR SPECIFY

22" OR SPECIFY

5/8"

1"

### 5-LEG

UP TO 90" W COUNTERS

2 SINKS

Standard Counter Size: 72"W x 24"D

32" OR SPECIFY

68" OR SPECIFY

22" OR SPECIFY

5/8"

1"

### 5-LEG

UP TO 90" W COUNTERS

2 SINKS

Standard Counter Size: 72"W x 24"D

32" OR SPECIFY

68" OR SPECIFY

22" OR SPECIFY

5/8"

1"

Standard Wall Bracket(s) included with all leg systems

Custom Configurations are available - if you don't see what you want please call Palmer Customer Support

February 2023 Price List

PalmerIndustries.com

## STEP #2: ESTABLISH BASE PRICE OF LEG SYSTEM

using the configuration from step #1, select the finish to determine base price

LEGS	DIA	MODEL	DESCRIPTION	PC - PN	PBUL	ABUL-ORB-SBL-SN-MB
1-LEG	1.0"	MET100	LEG SINGLE 1.0" METRO	\$406	\$447	\$529
2-LEG	1.0"	LS21MET	LEG SYS 2-LEG 1.0" METRO	\$1,680	\$1,849	\$2,185
3-LEG	1.0"	LS31MET	LEG SYS 3-LEG 1.0" METRO	\$2,630	\$2,894	\$3,420
4-LEG	1.0"	LS41MET	LEG SYS 4-LEG 1.0" METRO	\$2,487	\$2,735	\$3,232
5-LEG	1.0"	LS51MET	LEG SYS 5-LEG 1.0" METRO	\$3,344	\$3,680	\$4,347

PC = POLISHED CHROME  
PN = POLISHED NICKEL  
PBUL = POLISHED BRASS UN-LACQUERED

ABUL = AGED BRASS UN-LACQUERED  
ORB = OIL RUBBED BRONZE  
SBL = SATIN BRASS LACQUERED

SN = SATIN NICKEL  
MB = SEMI-MATTE BLACK POWDER COAT

can be field cut to reduce size

PVD FINISHES ARE AVAILABLE - please see page 100

## STEP #3: ADD SIZE CHARGES TO BASE PRICE OF LEG SYSTEM

if your counter width is other than the "standard" size shown below, please add the appropriate size charges to the base price

COUNTER WIDTH	LEGS	COUNTER WIDTH		LEGS	COUNTER WIDTH		
2-LEG - OR - 4-LEG		LESS THAN 36"	\$157	3-LEG - OR - 5-LEG		LESS THAN 72"	\$157
		36" (STANDARD SIZE)	\$0			72" (STANDARD SIZE)	\$0
		UP TO 42"	\$201			UP TO 78"	\$201
		UP TO 48"	\$263			UP TO 84"	\$263
		UP TO 60"	\$376			UP TO 90"	\$376
COUNTER DEPTH		NO CHARGE FOR COUNTER DEPTHS UP TO 24"					
LEG HEIGHT		NO CHARGE FOR LEG HEIGHTS UP TO 36"					

For sizes larger than shown, and/or custom configurations, please contact Palmer for a quote

IF YOU ARE NOT ORDERING ANY OPTIONS YOU ARE DONE  
- calculate shipping costs on pg. 110 & complete the order form on pg. 108

## STEP #4: SELECT YOUR OPTIONS & ACCESSORIES

ONLY the options & accessories listed below may be used with this METRO style

TURN TO OPTIONS TAB (pg. 102)

Please select only from the Options & Accessories listed here for use with this METRO style



Turn to the Options & Finishes Tab Page for pricing & details

#### Towel Shelf Options:

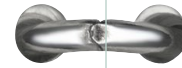
Tubular Metal Shelf (TS)  
Glass Shelf (GS)  
Teak Wood Shelf (WS)

#### Shelf Support Options: required for all shelves

Low Profile Shelf Support (SS\_LP)  
Clip Shelf Support (SS\_C)  
Split Collar Shelf Support (SS\_SC)

#### Additional Options & Accessories:

ADA Compliant Configuration (ADA)  
Curved Crossbar (CURV)  
Wall Brackets: non-standard (WB)  
Aux. Towel Rail (by quote only) (TR)  
TP Holder (by quote only) (TP)



R-020723

R-020723



Style	Images	Pricing
<b>Classic Collection</b>		
<b>T</b> Tapered Foot	11	46
<b>C</b> Decorative Collar	12	50
<b>BL</b> Ball Foot	13	54
<b>B</b> Bun Foot	14	58
<b>Traditional Collection</b>		
<b>E</b> Essex	15	62
<b>W</b> Westport	16	64
<b>CAP</b> Capital	17	66
<b>K</b> Kingston	18	68
<b>V</b> Victorian	19	70
<b>REN</b> Renaissance	20	71
<b>P</b> Providence	21	72
<b>N</b> Newport	22	74
<b>BAY</b> Bayonne	23	76
<b>FR</b> Franklin	23	77
<b>Modern Collection</b>		
<b>S</b> Studio	24	78
<b>M</b> Minimal	25	82
<b>MET</b> Metro	26	84
<b>MOD</b> Modern	27	88
<b>SQ</b> Square	28	90
<b>L</b> Linear	29	92
<b>J</b> Jamestown	30	93
<b>AV</b> Avery	31	94
<b>BR</b> Bristol	32	95
<b>Wall Mount Collection</b>		
<b>REG</b> Regency	33	96
<b>A</b> Apex	34	97
<b>SG</b> Signature	35	98

STEP #1: SELECT LEG SYSTEM CONFIGURATION

choose the configuration that best suits your counter size and number of sinks

**1-LEG**  
ANY WIDTH COUNTER  
Wall Bracket not included with single legs - see pg. 106  
32" OR SPECIFY  
1 1/2"

**2-LEG**  
UP TO 60" W COUNTERS  
1 OR 2 SINKS  
Standard Counter Size: 36"W x 24"D  
32" OR SPECIFY  
32" OR SPECIFY  
22" OR SPECIFY  
1 1/2"

**3-LEG**  
UP TO 90" W COUNTERS  
2 SINKS  
Standard Counter Size: 72"W x 24"D  
32" OR SPECIFY  
68" OR SPECIFY  
22" OR SPECIFY  
1 1/2"

**4-LEG**  
UP TO 60" W COUNTERS  
1 OR 2 SINKS  
Standard Counter Size: 36"W x 24"D  
32" OR SPECIFY  
32" OR SPECIFY  
22" OR SPECIFY  
1 1/2"

**5-LEG**  
UP TO 90" W COUNTERS  
2 SINKS  
Standard Counter Size: 72"W x 24"D  
32" OR SPECIFY  
68" OR SPECIFY  
22" OR SPECIFY  
1 1/2"

Standard Wall Bracket(s) included with all leg systems

Custom Configurations are available - if you don't see what you want please call Palmer Customer Support

STEP #2: ESTABLISH BASE PRICE OF LEG SYSTEM

using the configuration from step #1, select the finish to determine base price

LEGS	DIA	MODEL	DESCRIPTION	PC - PN	PBUL	ABUL-ORB-SBL-SN-MB
1-LEG	1.5"	MOD150	LEG SINGLE 1.5" MODERN	\$1,006	\$1,106	\$1,306
2-LEG	1.5"	LS2MOD	LEG SYS 2-LEG 1.5" MODERN	\$2,884	\$3,173	\$3,748
3-LEG	1.5"	LS3MOD	LEG SYS 3-LEG 1.5" MODERN	\$4,544	\$4,999	\$5,907
4-LEG	1.5"	LS4MOD	LEG SYS 4-LEG 1.5" MODERN	\$4,866	\$5,353	\$6,327
5-LEG	1.5"	LS5MOD	LEG SYS 5-LEG 1.5" MODERN	\$6,281	\$6,906	\$8,166

PC = POLISHED CHROME  
PN = POLISHED NICKEL  
PBUL = POLISHED BRASS UN-LACQUERED

ABUL = AGED BRASS UN-LACQUERED  
ORB = OIL RUBBED BRONZE  
SBL = SATIN BRASS LACQUERED

SN = SATIN NICKEL  
MB = SEMI-MATTE BLACK POWDER COAT

width & depth can be field cut to reduce size

PVD FINISHES ARE AVAILABLE - please see page 100

STEP #3: ADD SIZE CHARGES TO BASE PRICE OF LEG SYSTEM

if your counter width is other than the "standard" size shown below, please add the appropriate size charges to the base price

COUNTER WIDTH	LEGS	COUNTER WIDTH	LEGS	COUNTER WIDTH	
	2-LEG - OR - 4-LEG	LESS THAN 36"	\$157	3-LEG - OR - 5-LEG	LESS THAN 72"
36" (STANDARD SIZE)		\$0	72" (STANDARD SIZE)		\$0
UP TO 42"		\$201	UP TO 78"		\$201
UP TO 48"		\$263	UP TO 84"		\$263
UP TO 60"		\$376	UP TO 90"		\$376
COUNTER DEPTH	NO CHARGE FOR COUNTER DEPTHS UP TO 24"				
LEG HEIGHT	NO CHARGE FOR LEG HEIGHTS UP TO 36"				

For sizes larger than shown, and/or custom configurations, please contact Palmer for a quote

IF YOU ARE NOT ORDERING ANY OPTIONS YOU ARE DONE  
- calculate shipping costs on pg. 110 & complete the order form on pg. 108

STEP #4: SELECT YOUR OPTIONS & ACCESSORIES

ONLY the options & accessories listed below may be used with the MODERN style

TURN TO OPTIONS TAB (pg. 102)

Please select only from the Options & Accessories listed here for use with the MODERN style



Turn to the Options & Finishes Tab Page for pricing & details

Towel Shelf Options:

- Tubular Metal Shelf (TS)
- Glass Shelf (GS)
- Teak Wood Shelf (WS)

Shelf Support Options:  
required for all shelves

- Rail Shelf Support (SS\_R)
- Low Profile Shelf Support (SS\_LP)
- Clip Shelf Support (SS\_C)
- Split Collar Shelf Support (SS\_SC)

Additional Options & Accessories:

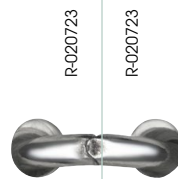
- ADA Compliant Configuration (ADA)
- Curved Crossbar (CURV)
- Hammered Ball Fittings (HB)
- Wall Brackets: non-standard (WB)
- Auxiliary Towel Rail (TR)
- TP Holder (TP)

Finishes, Options & Accessories

Finishes & Materials	36	100
Shelving & Supports	38	102
Options & Accessories	40	104

Appendices

Order Forms: Palmer & Stone Forest	108
Packing & Shipping	110
Policies & Procedures	111
China Sinks	113
Anatomy of a Leg System	114
Tubing Diameter Reference	115





STEP #1: SELECT LEG SYSTEM CONFIGURATION

choose the configuration that best suits your counter size and number of sinks

**1-LEG**  
ANY WIDTH COUNTER  
Wall Bracket not included with single legs - see pg. 106  
32" OR SPECIFY  
1 1/2"

**2-LEG**  
UP TO 60" W COUNTERS  
1 OR 2 SINKS  
Standard Counter Size: 36"W x 24"D  
32" OR SPECIFY  
32" OR SPECIFY  
22" OR SPECIFY  
1 1/2"

**3-LEG**  
UP TO 90" W COUNTERS  
2 SINKS  
Standard Counter Size: 72"W x 24"D  
32" OR SPECIFY  
Includes Center Wall Return  
68" OR SPECIFY  
22" OR SPECIFY  
1 1/2"

**4-LEG**  
UP TO 60" W COUNTERS  
1 OR 2 SINKS  
Standard Counter Size: 36"W x 24"D  
32" OR SPECIFY  
32" OR SPECIFY  
22" OR SPECIFY  
1 1/2"

**5-LEG**  
UP TO 90" W COUNTERS  
2 SINKS  
Standard Counter Size: 72"W x 24"D  
32" OR SPECIFY  
No Center Wall Return  
68" OR SPECIFY  
22" OR SPECIFY  
1 1/2"

Standard Wall Bracket(s) included with all leg systems

Custom Configurations are available - if you don't see what you want please call Palmer Customer Support

STEP #2: ESTABLISH BASE PRICE OF LEG SYSTEM

using the configuration from step #1, select the finish to determine base price

LEGS	TUBE	MODEL	DESCRIPTION	PC - PN	PBUL	ABUL-ORB-SBL-SN-MB
1-LEG	1.5" Sq	SQ150	LEG SINGLE 1.5" SQUARE	\$791	\$934	\$1,029
2-LEG	1.5" Sq	LS2SQ	LEG SYS 2-LEG 1.5" SQUARE w/ REAR RISERS	\$2,838	\$3,350	\$3,690
		LS2SQNR	LEG SYS 2-LEG 1.5" SQUARE NO REAR RISERS	\$2,657	\$3,135	\$3,454
3-LEG	1.5" Sq	LS3SQ	LEG SYS 3-LEG 1.5" SQUARE w/ REAR RISERS	\$4,583	\$5,408	\$5,959
		LS3SQNR	LEG SYS 3-LEG 1.5" SQUARE NO REAR RISERS	\$4,389	\$5,180	\$5,706
4-LEG	1.5" Sq	LS4SQ	LEG SYS 4-LEG 1.5" SQUARE	\$4,291	\$5,062	\$5,579
5-LEG	1.5" Sq	LS5SQ	LEG SYS 5-LEG 1.5" SQUARE	\$5,878	\$6,937	\$7,642

PC = POLISHED CHROME  
 PN = POLISHED NICKEL  
 PBUL = POLISHED BRASS UN-LACQUERED  
 ABUL = AGED BRASS UN-LACQUERED  
 ORB = OIL RUBBED BRONZE  
 SBL = SATIN BRASS LACQUERED  
 SN = SATIN NICKEL  
 MB = SEMI-MATTE BLACK POWDER COAT

width & depth can be field cut to reduce size

PVD FINISHES ARE AVAILABLE - please see page 100

STEP #3: ADD SIZE CHARGES TO BASE PRICE OF LEG SYSTEM

if your counter width is other than the "standard" size shown below, please add the appropriate size charges to the base price

COUNTER WIDTH	LEGS	COUNTER WIDTH	LEGS	COUNTER WIDTH	
	2-LEG - OR - 4-LEG	LESS THAN 36"	\$157	3-LEG - OR - 5-LEG	LESS THAN 72"
36" (STANDARD SIZE)		\$0	72" (STANDARD SIZE)		\$0
UP TO 42"		\$201	UP TO 78"		\$201
UP TO 48"		\$357	UP TO 84"		\$357
UP TO 60"		\$608	UP TO 90"		\$608

COUNTER DEPTH NO CHARGE FOR COUNTER DEPTHS UP TO 24"

LEG HEIGHT NO CHARGE FOR LEG HEIGHTS UP TO 34"

For sizes larger than shown, and/or custom configurations, please contact Palmer for a quote

IF YOU ARE NOT ORDERING ANY OPTIONS YOU ARE DONE - calculate shipping costs on pg. 110 & complete the order form on pg. 108

STEP #4: SELECT YOUR OPTIONS & ACCESSORIES

ONLY the options & accessories listed below may be used with the SQUARE style

TURN TO OPTIONS TAB (pg. 102)

Please select only from the Options & Accessories listed here for use with the SQUARE style



Turn to the Options & Finishes Tab Page for pricing & details

Towel Shelf Options:

- Tubular Metal Shelf (TS)
- Glass Shelf (GS)
- Teak Wood Shelf (WS)

Shelf Support Options: required for all shelves

- Low Profile Shelf Support (SS\_LP)
- Clip Shelf Support (SS\_C)

Additional Options & Accessories:

- ADA Compliant Configuration (ADA)
- Wall Brackets: non-standard (WB)
- Auxiliary Towel Rail (TR)
- TP Holder (TP)

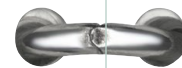
Styles	Images	Pricing
<b>Classic Collection</b>		
T Tapered Foot	11	46
C Decorative Collar	12	50
BL Ball Foot	13	54
B Bun Foot	14	58
<b>Traditional Collection</b>		
E Essex	15	62
W Westport	16	64
CAP Capital	17	66
K Kingston	18	68
V Victorian	19	70
REN Renaissance	20	71
P Providence	21	72
N Newport	22	74
BAY Bayonne	23	76
FR Franklin	23	77
<b>Modern Collection</b>		
S Studio	24	78
M Minimal	25	82
MET Metro	26	84
MOD Modern	27	88
SQ Square	28	90
L Linear	29	92
J Jamestown	30	93
AV Avery	31	94
BR Bristol	32	95
<b>Wall Mount Collection</b>		
REG Regency	33	96
A Apex	34	97
SG Signature	35	98

Finishes, Options & Accessories

Finishes & Materials	36	100
Shelving & Supports	38	102
Options & Accessories	40	104

Appendices

Order Forms: Palmer & Stone Forest	108
Packing & Shipping	110
Policies & Procedures	111
China Sinks	113
Anatomy of a Leg System	114
Tubing Diameter Reference	115





Linear

SEE PHOTO ON PG. 29

LEG SYSTEM CONFIGURATION

Jamestown

SEE PHOTO ON PG. 30

LEG SYSTEM CONFIGURATION



Table of Contents

Styles

Style	Images	Pricing
<b>Classic Collection</b>		
<b>T</b> Tapered Foot	11	46
<b>C</b> Decorative Collar	12	50
<b>BL</b> Ball Foot	13	54
<b>B</b> Bun Foot	14	58
<b>Traditional Collection</b>		
<b>E</b> Essex	15	62
<b>W</b> Westport	16	64
<b>CAP</b> Capital	17	66
<b>K</b> Kingston	18	68
<b>V</b> Victorian	19	70
<b>REN</b> Renaissance	20	71
<b>P</b> Providence	21	72
<b>N</b> Newport	22	74
<b>BAY</b> Bayonne	23	76
<b>FR</b> Franklin	23	77
<b>Modern Collection</b>		
<b>S</b> Studio	24	78
<b>M</b> Minimal	25	82
<b>MET</b> Metro	26	84
<b>MOD</b> Modern	27	88
<b>SQ</b> Square	28	90
<b>L</b> Linear	29	92
<b>J</b> Jamestown	30	93
<b>AV</b> Avery	31	94
<b>BR</b> Bristol	32	95
<b>Wall Mount Collection</b>		
<b>REG</b> Regency	33	96
<b>A</b> Apex	34	97
<b>SG</b> Signature	35	98

Finishes, Options & Accessories

Finishes & Materials	36	100
Shelving & Supports	38	102
Options & Accessories	40	104

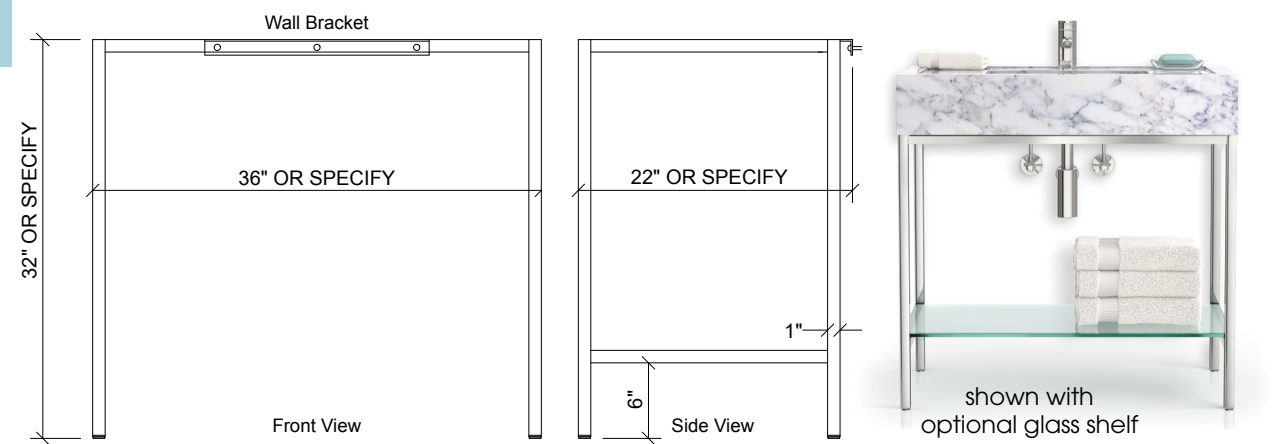
Appendices

Order Forms: Palmer & Stone Forest	108
Packing & Shipping	110
Policies & Procedures	111
China Sinks	113
Anatomy of a Leg System	114
Tubing Diameter Reference	115

4-LEG

UP TO 48" W COUNTERS

Standard Counter Size: 36"W x 24"D



For sizes larger than shown, and/or custom configurations, please contact Palmer for a quote

STEP #1: ESTABLISH BASE PRICE OF LEG SYSTEM

select the finish to determine base price • PVD finishes are available - please see page 100

LEGS	TUBE	MODEL	DESCRIPTION	PC	PN - SN	PBUL-ABUL-ORB-SBL-MB
4-LEG	1.0" Sq	LS41L	LEG SYS 4-LEG 1.0" LINEAR	\$5,484	\$5,233	\$4,632

PC = POLISHED CHROME      ABUL = AGED BRASS UN-LACQUERED      SN = SATIN NICKEL  
 PN = POLISHED NICKEL      ORB = OIL RUBBED BRONZE      MB = SEMI-MATTE BLACK POWDER COAT  
 PBUL = POLISHED BRASS UN-LACQUERED      SBL = SATIN BRASS LACQUERED

PVD FINISHES ARE AVAILABLE - please see page 100

STEP #2: ADD SIZE CHARGES TO BASE PRICE OF LEG SYSTEM

if your counter width is other than the "standard" size shown below, please add the appropriate size charges to the base price

COUNTER WIDTH	LEGS	COUNTER WIDTH	
	4-LEG		LESS THAN 36"
		36" (STANDARD SIZE)	+\$0
		UP TO 42"	+\$201
		UP TO 48"	+\$564

COUNTER DEPTH: NO CHARGE FOR COUNTER DEPTHS UP TO 24"

LEG HEIGHT: NO CHARGE FOR LEG HEIGHTS UP TO 36"

IF YOU ARE NOT ORDERING ANY OPTIONS YOU ARE DONE - calculate shipping costs on pg. 110 & complete the order form on pg. 108

STEP #3: SELECT YOUR OPTIONS & ACCESSORIES

ONLY the options & accessories listed below may be used with the LINEAR style

TURN TO OPTIONS TAB (pg. 102)

Please select only from the Options & Accessories listed here for use with the LINEAR style



Turn to the Options & Finishes Tab page for pricing & details

Towel Shelf Options:

- Tubular Metal Shelf (TS)
- Glass Shelf (GS)
- Teak Wood Shelf (WS)

Shelf Support Options:

required for all shelves  
Includes Linear Style Shelf Support

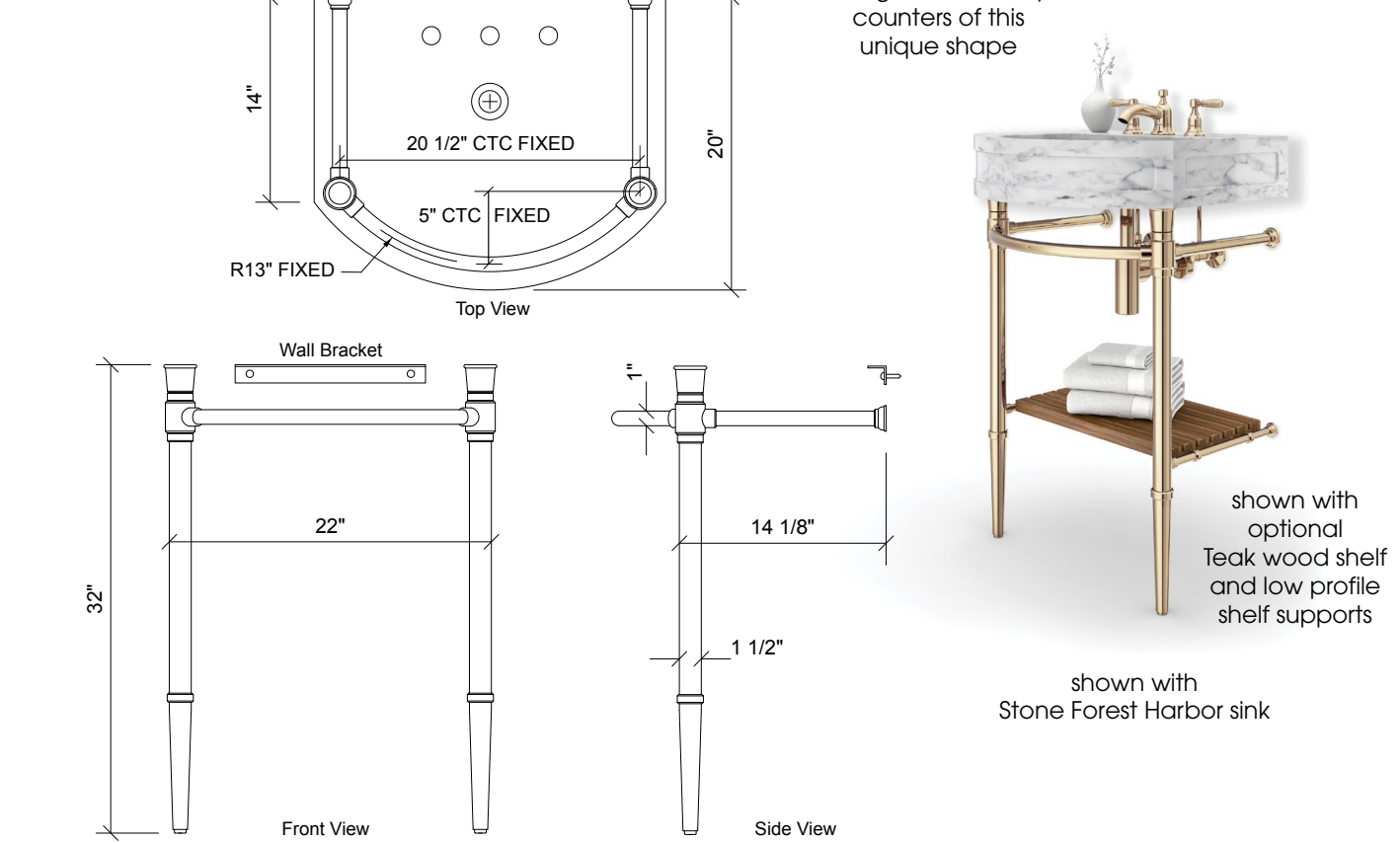
Additional Options & Accessories:

- ADA Compliant Configuration (ADA)
- Wall Brackets: non-standard (WB)

R-020723



2-LEG



Note: designed to fit only counters of this unique shape

For sizes other than shown, and/or custom configurations, please contact Palmer for a quote

STEP #1: ESTABLISH BASE PRICE OF LEG SYSTEM

select the finish to determine base price • PVD finishes are available - please see page 100

LEGS	DIA	MODEL	DESCRIPTION	PC - PN	PBUL	ABUL-ORB-SBL-SN-MB
2-LEG	1.5"	LS2J	LEG SYS 2-LEG 1.5" JAMESTOWN	\$3,312	\$3,643	\$4,306

PC = POLISHED CHROME      ABUL = AGED BRASS UN-LACQUERED      SN = SATIN NICKEL  
 PN = POLISHED NICKEL      ORB = OIL RUBBED BRONZE      MB = SEMI-MATTE BLACK POWDER COAT  
 PBUL = POLISHED BRASS UN-LACQUERED      SBL = SATIN BRASS LACQUERED

PVD FINISHES ARE AVAILABLE - please see page 100

IF YOU ARE NOT ORDERING ANY OPTIONS YOU ARE DONE - calculate shipping costs on pg. 110 & complete the order form on pg. 108

STEP #2: SELECT YOUR OPTIONS & ACCESSORIES

ONLY the options & accessories listed below may be used with the JAMESTOWN style

TURN TO OPTIONS TAB (pg. 102)

Please select only from the Options & Accessories listed here for use with the JAMESTOWN style



Turn to the Options & Finishes Tab Page for pricing & details

Towel Shelf Options:

- Tubular Metal Shelf (TS)
- Glass Shelf (GS)
- Teak Wood Shelf (WS)

Shelf Support Options:

- required for all shelves
- Rail Shelf Support (SS\_R)
- Low Profile Shelf Support (SS\_LP)
- Clip Shelf Support (SS\_C)
- Split Collar Shelf Support (SS\_SC)

Additional Options & Accessories:

- Wall Brackets: non-standard (WB)
- Auxiliary Towel Rail (TR)
- TP Holder (TP)

Standard Wall Bracket included with all leg systems

M-F 9-5:30 EST

Standard Wall Bracket included with all leg systems

February 2023 Price List

PalmerIndustries.com

401-421-1730



Avery

SEE PHOTO ON PG. 31



LEG SYSTEM CONFIGURATION

Bristol

SEE PHOTO ON PG. 32



LEG SYSTEM CONFIGURATION



Table of Contents

Styles

Classic Collection

Style	Images	Pricing
<b>T</b> Tapered Foot	11	46
<b>C</b> Decorative Collar	12	50
<b>BL</b> Ball Foot	13	54
<b>B</b> Bun Foot	14	58

Traditional Collection

<b>E</b> Essex	15	62
<b>W</b> Westport	16	64
<b>CAP</b> Capital	17	66
<b>K</b> Kingston	18	68
<b>V</b> Victorian	19	70
<b>REN</b> Renaissance	20	71
<b>P</b> Providence	21	72
<b>N</b> Newport	22	74
<b>BAY</b> Bayonne	23	76
<b>FR</b> Franklin	23	77

Modern Collection

<b>S</b> Studio	24	78
<b>M</b> Minimal	25	82
<b>MET</b> Metro	26	84
<b>MOD</b> Modern	27	88
<b>SQ</b> Square	28	90
<b>L</b> Linear	29	92
<b>J</b> Jamestown	30	93
<b>AV</b> Avery	31	94
<b>BR</b> Bristol	32	95

Wall Mount Collection

<b>REG</b> Regency	33	96
<b>A</b> Apex	34	97
<b>SG</b> Signature	35	98

Finishes, Options & Accessories

Finishes & Materials	36	100
Shelving & Supports	38	102
Options & Accessories	40	104

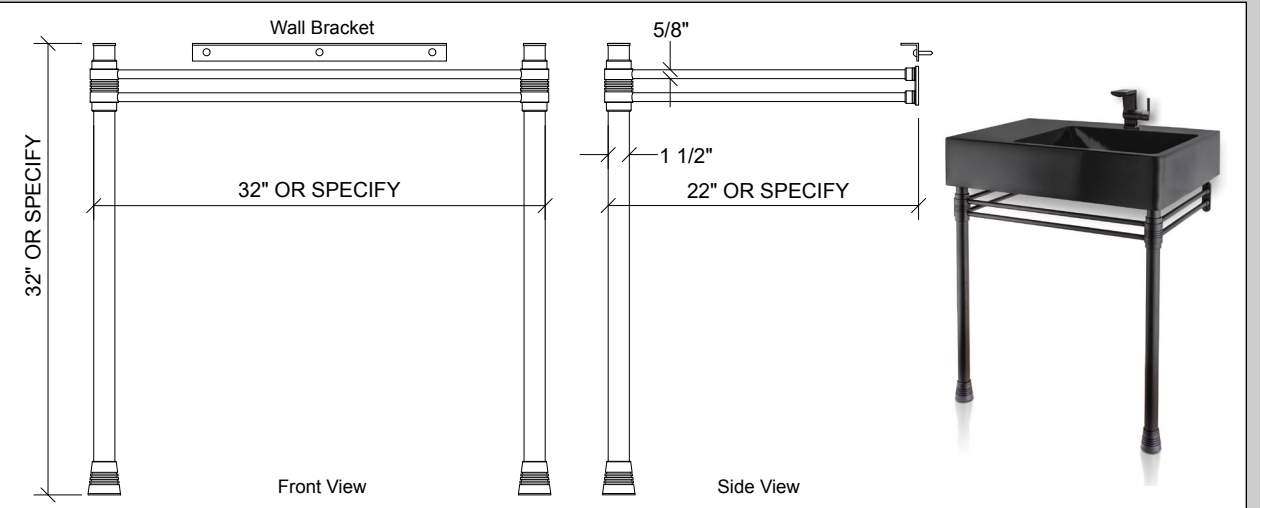
Appendices

Order Forms: Palmer & Stone Forest	108
Packing & Shipping	110
Policies & Procedures	111
China Sinks	113
Anatomy of a Leg System	114
Tubing Diameter Reference	115

2-LEG

UP TO 42" W COUNTERS

Standard Counter Size: 36"W x 24"D



For sizes larger than shown, and/or custom configurations, please contact Palmer for a quote

STEP #1: ESTABLISH BASE PRICE OF LEG SYSTEM

select the finish to determine base price • PVD finishes are available - please see page 100

LEGS	DIA	MODEL	DESCRIPTION	PN	PBUL - MB	ABUL-ORB-SBL-SN
2-LEG	1.5"	LS2AV	LEG SYS 2-LEG 1.5" AVERY	\$4,757	\$4,507	\$4,983

PN = POLISHED NICKEL  
 PBUL = POLISHED BRASS UN-LACQUERED  
 ABUL = AGED BRASS UN-LACQUERED  
 ORB = OIL RUBBED BRONZE  
 SBL = SATIN BRASS LACQUERED  
 SN = SATIN NICKEL  
 MB = SEMI-MATTE BLACK POWDER COAT  
 PVD FINISHES ARE AVAILABLE - please see page 100

STEP #2: ADD SIZE CHARGES TO BASE PRICE OF LEG SYSTEM

if your counter width is other than the "standard" size shown below, please add the appropriate size charges to the base price

COUNTER WIDTH	LEGS	COUNTER WIDTH	
	2-LEG	LESS THAN 36"	+\$157
		36" (STANDARD SIZE)	+\$0
		UP TO 42"	+\$201

<b>COUNTER DEPTH</b>	NO CHARGE FOR COUNTER DEPTHS UP TO 24"
<b>LEG HEIGHT</b>	NO CHARGE FOR LEG HEIGHTS UP TO 36"

IF YOU ARE NOT ORDERING ANY OPTIONS YOU ARE DONE - calculate shipping costs on pg. 110 & complete the order form on pg. 108

STEP #3: SELECT YOUR OPTIONS & ACCESSORIES

ONLY the options & accessories listed below may be used with the Avery style

Please select only from the Options & Accessories listed here for use with the **AVERY** style

Turn to the Options & Finishes Tab Page for pricing & details

**Towel Shelf Options:**

- Tubular Metal Shelf (TS)
- Glass Shelf (GS)
- Teak Wood Shelf (WS)

**Shelf Support Options:**  
required for all shelves

- Low Profile Shelf Support (SS\_LP)
- Clip Shelf Support (SS\_C)
- Split Collar Shelf Support (SS\_SC)

**Additional Options & Accessories:**

- ADA Compliant Configuration (ADA)
- Solid Acrylic Rod Legs (ACRL)
- Wall Brackets: non-standard (WB)

Standard Wall Bracket included with all leg systems

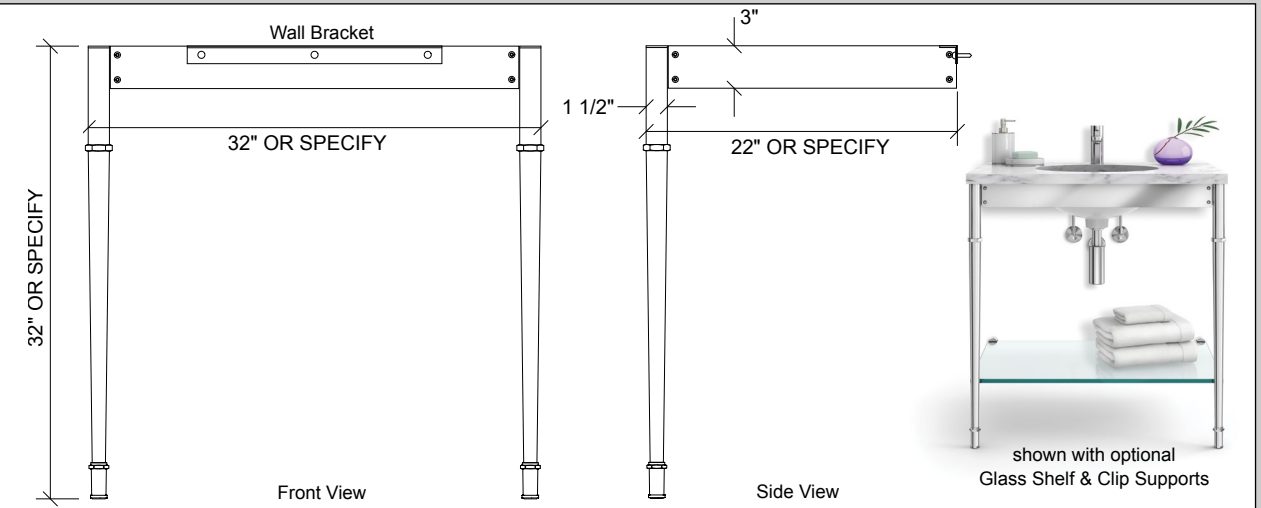
February 2023 Price List

PalmerIndustries.com

2-LEG

UP TO 42" W COUNTERS

Standard Counter Size: 36"W x 24"D



For sizes larger than shown, and/or custom configurations, please contact Palmer for a quote

STEP #1: ESTABLISH BASE PRICE OF LEG SYSTEM

select the finish to determine base price • PVD finishes are available - please see page 100

LEGS	DIA	MODEL	DESCRIPTION	PN - SN	PBUL - MB	ABUL-ORB-SBL
2-LEG	1.5"	LS2BR	LEG SYS 2-LEG 1.5" BRISTOL	\$8,638	\$6,885	\$7,386

PN = POLISHED NICKEL  
 PBUL = POLISHED BRASS UN-LACQUERED  
 ABUL = AGED BRASS UN-LACQUERED  
 ORB = OIL RUBBED BRONZE  
 SBL = SATIN BRASS LACQUERED  
 SN = SATIN NICKEL  
 MB = SEMI-MATTE BLACK POWDER COAT  
 PVD FINISHES ARE AVAILABLE - please see page 100

STEP #2: ADD SIZE CHARGES TO BASE PRICE OF LEG SYSTEM

if your counter width is other than the "standard" size shown below, please add the appropriate size charges to the base price

COUNTER WIDTH	LEGS	COUNTER WIDTH	
	2-LEG	LESS THAN 36"	+\$157
		36" (STANDARD SIZE)	+\$0
		UP TO 42"	+\$376

<b>COUNTER DEPTH</b>	NO CHARGE FOR COUNTER DEPTHS UP TO 24"
<b>LEG HEIGHT</b>	NO CHARGE FOR LEG HEIGHTS UP TO 36"

IF YOU ARE NOT ORDERING ANY OPTIONS YOU ARE DONE - calculate shipping costs on pg. 110 & complete the order form on pg. 108

STEP #3: SELECT YOUR OPTIONS & ACCESSORIES

ONLY the options & accessories listed below may be used with the Bristol style

Please select only from the Options & Accessories listed here for use with the **BRISTOL** style

Turn to the Options & Finishes Tab Page for pricing & details

**Towel Shelf Options:**

- Tubular Metal Shelf (TS)
- Glass Shelf (GS)
- Teak Wood Shelf (WS)

**Shelf Support Options:**  
required for all shelves

- Low Profile Shelf Support (SS\_LP)
- Clip Shelf Support (SS\_C)

**Additional Options & Accessories:**

- ADA Compliant Configuration (ADA)
- Wall Brackets: non-standard (WB)
- Auxiliary Towel Rail (TR)
- TP Holder (TP)

Standard Wall Bracket included with all leg systems

M-F 9-5:30 EST

401-421-1730





Styles

Classic Collection

- T Tapered Foot
- C Decorative Collar
- BL Ball Foot
- B Bun Foot

Traditional Collection

- E Essex
- W Westport
- CAP Capital
- K Kingston
- V Victorian
- REN Renaissance
- P Providence
- N Newport
- BAY Bayonne
- FR Franklin

Modern Collection

- S Studio
- M Minimal
- MET Metro
- MOD Modern
- SQ Square
- L Linear
- J Jamestown
- AV Avery
- BR Bristol

Wall Mount Collection

- REG Regency
- A Apex
- SG Signature

Finishes, Options & Accessories

- Finishes & Materials
- Shelving & Supports
- Options & Accessories

Appendices

- Order Forms: Palmer & Stone Forest
- Packing & Shipping
- Policies & Procedures
- China Sinks
- Anatomy of a Leg System
- Tube Diameter Reference

Images	Pricing
11	46
12	50
13	54
14	58
15	62
16	64
17	66
18	68
19	70
20	71
21	72
22	74
23	76
23	77
24	78
25	82
26	84
27	88
28	90
29	92
30	93
31	94
32	95
33	96
34	97
35	98

30" (width), 14 1/2" FIXED (height), 22 1/2" FIXED (height), R13" FIXED (radius), 11 5/8" (height), 27 3/8" FIXED (width), 13 1/8" (width)

Note: designed to fit only counters of this unique shape

Note: Wall Mount Systems Require Solid Wood Blocking in Wall

For sizes other than shown, and/or custom configurations, please contact Palmer for a quote

**STEP #1: ESTABLISH BASE PRICE OF WALL MOUNT SYSTEM**  
select the finish to determine base price • Satin PVD finishes are available - please see page 100

DIA	MODEL	DESCRIPTION	PN*	PBUL	ABUL-ORB-SBL-SN-MB
1.0"	WMREG	REGENCY WALL MOUNT SYSTEM	\$4,818	\$4,818	\$4,818

PBUL = POLISHED BRASS UN-LACQUERED  
SBL = SATIN BRASS LACQUERED  
SBPVD = SATIN BRASS PVD

ABUL = AGED BRASS UN-LACQUERED  
ORB = OIL RUBBED BRONZE  
SGPVD = SATIN GOLD PVD

SN = SATIN NICKEL  
MB = SEMI-MATTE BLACK POWDER COAT  
\*Regency not available in Polished Chrome

Options & Accessories:  
Wall Brackets: non-standard (WB)



calculate shipping costs on pg. 110 & complete order form on pg. 108

Standard Wall Bracket included with all wall mount systems  
Custom Configurations are available - if you don't see what you want please call Palmer Customer Support

shown with optional Decorative Collars

shown with Stone Forest Vintage 27 sink

Optional Decorative Collars

UP TO 24" COUNTER

1"

Note: Wall Mount Systems Require Solid Wood Blocking in Wall

For sizes other than shown, and/or custom configurations, please contact Palmer for a quote

**STEP #1: ESTABLISH BASE PRICE OF WALL MOUNT SYSTEM**  
select the finish to determine base price • PVD finishes are available - please see page 100

DIA	MODEL	DESCRIPTION	PC - PN	PBUL	ABUL-ORB-SBL-SN-MB
1.0"	WMAC	APEX WALL MOUNT SYSTEM w/ COLLARS	\$2,171	\$2,388	\$2,823
1.0"	WMA	APEX WALL MOUNT SYSTEM NO COLLARS	\$2,028	\$2,231	\$2,636

PC = POLISHED CHROME  
PN = POLISHED NICKEL  
PBUL = POLISHED BRASS UN-LACQUERED

ABUL = AGED BRASS UN-LACQUERED  
ORB = OIL RUBBED BRONZE  
SBL = SATIN BRASS LACQUERED

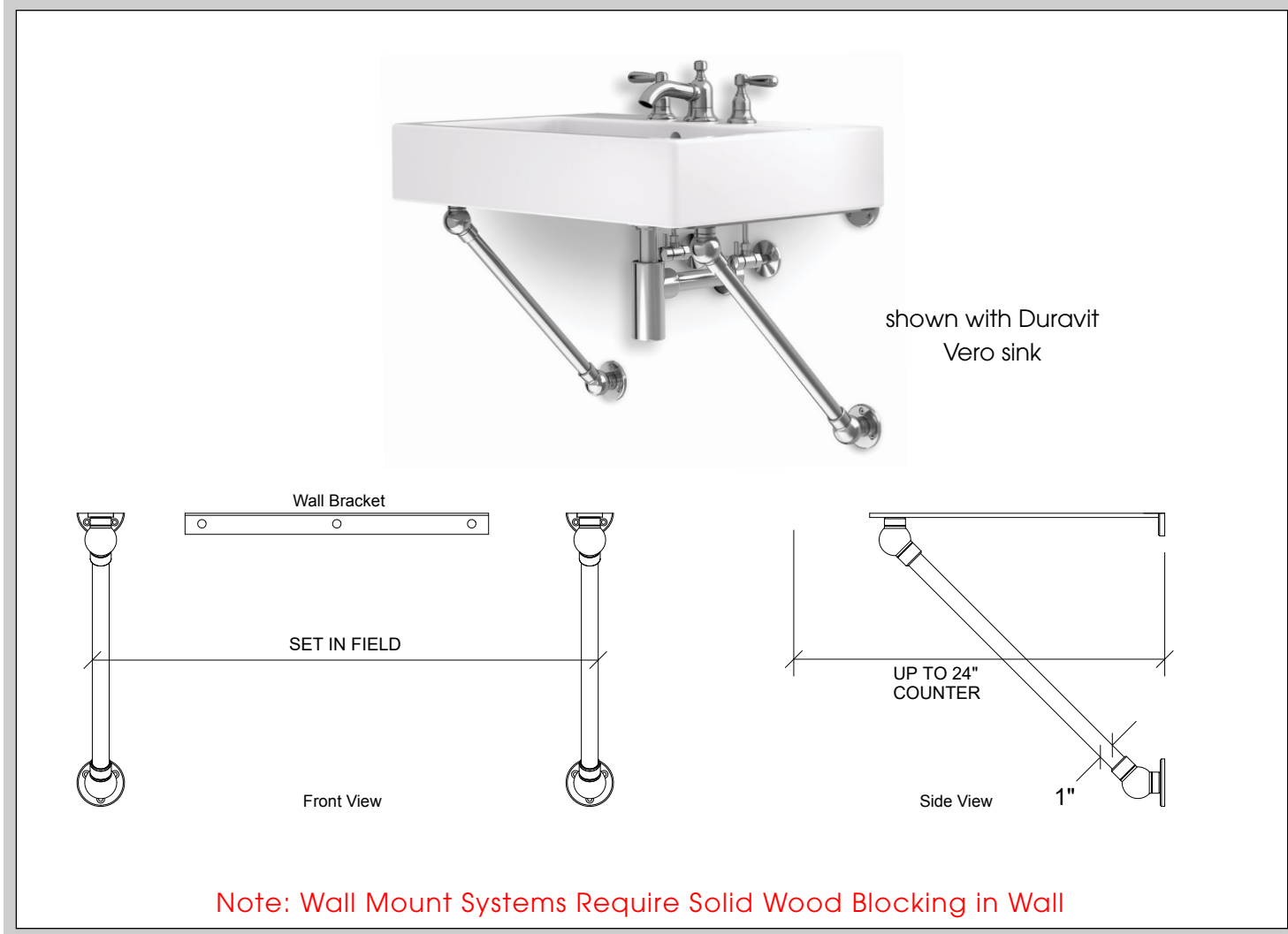
SN = SATIN NICKEL  
MB = SEMI-MATTE BLACK POWDER COAT

Options & Accessories:  
Wall Brackets: non-standard (WB)



calculate shipping costs on pg. 110 & complete order form on pg. 108

Standard Wall Bracket included with all wall mount systems  
Custom Configurations are available - if you don't see what you want please call Palmer Customer Support



Note: Wall Mount Systems Require Solid Wood Blocking in Wall

For sizes other than shown, and/or custom configurations, please contact Palmer for a quote

**STEP #1: ESTABLISH BASE PRICE OF WALL MOUNT SYSTEM**

select the finish to determine base price • PVD finishes are available - please see page 100

DIA	MODEL	DESCRIPTION	PC - PN	PBUL	ABUL-ORB-SBL-SN-MB
1.0"	WMSG	SIGNATURE WALL MOUNT SYSTEM	\$2,479	\$2,191	\$2,479

PC = POLISHED CHROME  
 PN = POLISHED NICKEL  
 PBUL = POLISHED BRASS UN-LACQUERED

ABUL = AGED BRASS UN-LACQUERED  
 ORB = OIL RUBBED BRONZE  
 SBL = SATIN BRASS LACQUERED

SN = SATIN NICKEL  
 MB = SEMI-MATTE BLACK POWDER COAT

Options & Accessories:	
Hammered Ball Fittings	(HB)
Wall Brackets: non-standard	(WB)



calculate shipping costs on pg. 110 & complete order form on pg. 108

Standard Wall Bracket included with all wall mount systems

Custom Configurations are available - if you don't see what you want please call Palmer Customer Support

# FINISHES OPTIONS & ACCESSORIES

finishing touches



Tapered Foot in Acrylic

## Table of Contents

Styles	Images	Pricing
<i>Classic Collection</i>		
<b>T</b> Tapered Foot	11	46
<b>C</b> Decorative Collar	12	50
<b>BL</b> Ball Foot	13	54
<b>B</b> Bun Foot	14	58
<i>Traditional Collection</i>		
<b>E</b> Essex	15	62
<b>W</b> Westport	16	64
<b>CAP</b> Capital	17	66
<b>K</b> Kingston	18	68
<b>V</b> Victorian	19	70
<b>REN</b> Renaissance	20	71
<b>P</b> Providence	21	72
<b>N</b> Newport	22	74
<b>BAY</b> Bayonne	23	76
<b>FR</b> Franklin	23	77
<i>Modern Collection</i>		
<b>S</b> Studio	24	78
<b>M</b> Minimal	25	82
<b>MET</b> Metro	26	84
<b>MOD</b> Modern	27	88
<b>SQ</b> Square	28	90
<b>L</b> Linear	29	92
<b>J</b> Jamestown	30	93
<b>AV</b> Avery	31	94
<b>BR</b> Bristol	32	95
<i>Wall Mount Collection</i>		
<b>REG</b> Regency	33	96
<b>A</b> Apex	34	97
<b>SG</b> Signature	35	98

### Finishes, Options & Accessories

Finishes & Materials	36	100
Shelving & Supports	38	102
Options & Accessories	40	104

### Appendices

Order Forms: Palmer & Stone Forest	108
Packing & Shipping	110
Policies & Procedures	111
China Sinks	113
Anatomy of a Leg System	114
Tube Diameter Reference	115



R-020723

R-020723



# Finishing Touches to Complete Your Vision

# Shelving, Options, & Accessories



# Table of Contents

## Styles

	Images	Pricing
<i>Classic Collection</i>		
<b>T</b> Tapered Foot	11	46
<b>C</b> Decorative Collar	12	50
<b>BL</b> Ball Foot	13	54
<b>B</b> Bun Foot	14	58
<i>Traditional Collection</i>		
<b>E</b> Essex	15	62
<b>W</b> Westport	16	64
<b>CAP</b> Capital	17	66
<b>K</b> Kingston	18	68
<b>V</b> Victorian	19	70
<b>REN</b> Renaissance	20	71
<b>P</b> Providence	21	72
<b>N</b> Newport	22	74
<b>BAY</b> Bayonne	23	76
<b>FR</b> Franklin	23	77
<i>Modern Collection</i>		
<b>S</b> Studio	24	78
<b>M</b> Minimal	25	82
<b>MET</b> Metro	26	84
<b>MOD</b> Modern	27	88
<b>SQ</b> Square	28	90
<b>L</b> Linear	29	92
<b>J</b> Jamestown	30	93
<b>AV</b> Avery	31	94
<b>BR</b> Bristol	32	95
<i>Wall Mount Collection</i>		
<b>REG</b> Regency	33	96
<b>A</b> Apex	34	97
<b>SG</b> Signature	35	98

## Finishes, Options & Accessories

Finishes & Materials	36	100
Shelving & Supports	38	102
Options & Accessories	40	104

## Appendices

Order Forms: Palmer & Stone Forest	108
Packing & Shipping	110
Policies & Procedures	111
China Sinks	113
Anatomy of a Leg System	114
Tubing Diameter Reference	115

## THE PLATED FINISHES...

LUXURIOUS LUSTER  
OR SATIN SHEEN

Our chrome and nickel plated finishes are architectural grade, consistent with the quality of premium decorative plumbing fixtures. These plated finishes are not lacquered and the nickel finishes may require occasional cleaning.



Polished Chrome (PC)



Polished Nickel (PN)



Satin Nickel (SN)



Powder Coat Semi-Matte Black (MB)



## THE LIVING FINISHES...

AGING WITH BEAUTY, GRACE,  
AND A RICH PATINA

The living finishes offer an ever-changing patina, as their tone and luster will gracefully age with time and unique environmental conditions. These hand-crafted artisanal finishes are subject to variations in lightness and color tone.



Satin Brass Lacquered (SBL)



Polished Brass Un-Lacquered (PBUL)



Aged Brass Un-Lacquered (ABUL)



Oil Rubbed Bronze (ORB)



## THE PVD FINISHES...

DURABLE, COLORFUL,  
AND TARNISH-FREE  
FINISHING TECHNOLOGY

Our premium PVD finishes (Physical Vapor Deposition) incorporate a coating of specialized metal that provides a durable, tarnish-free, and lasting color tone.

\* Contact Palmer for pricing & delivery of PVD finishes



Polished Brass PVD\* (PBPVD)



Satin Brass PVD\* (SBPVD)



Polished Gold PVD\* (PGPVD)



Satin Gold PVD\* (SGPVD)



R-020723

R-020723

Choose the shelving, options, and accessories on the following pages to complete your Palmer washstand.

All Palmer styles with corresponding style codes are listed below.

Select only options with the code that matches your leg style.

### Classic Collection

- T** Tapered Foot
- C** Decorative Collar
- BL** Ball Foot
- B** Bun Foot

### Traditional Collection

- E** Essex
- W** Westport
- CAP** Capital
- K** Kingston
- V** Victorian
- REN** Renaissance
- P** Providence
- N** Newport
- BAY** Bayonne
- FR** Franklin

### Modern Collection

- S** Studio
- M** Minimal
- MET** Metro
- MOD** Modern
- SQ** Square
- L** Linear
- J** Jamestown
- AV** Avery
- BR** Bristol

### Wall Mount Collection

- REG** Regency
- A** Apex
- SG** Signature

ALL STYLES

Compatible with all styles

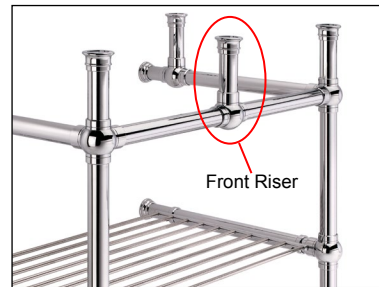
Refer to page 110 for Packaging & Shipping Charges

Refer to page 108 for Order Forms





FRONT RISER



for larger image, see page 40

ADDITIONAL FRONT COUNTER SUPPORT

- available 1.5" diameter only • not available for acrylic crossbar
- front riser(s) should be considered for counters 48" or wider (2-Leg/4-Leg)
  - consult your counter supplier regarding support requirements
- front riser will not prevent all flexing of counter if excessive force is applied

DESCRIPTION	MODEL	PC / PN	PBUL	ABUL / ORB / SBL / SN / MB
FRONT RISER	FR	\$311 ea	\$342 ea	\$404 ea

for use with: T C BL B S 1.5" Diameter Tubing ONLY

SPLIT DIAMETER



for larger image, see page 13 & 41

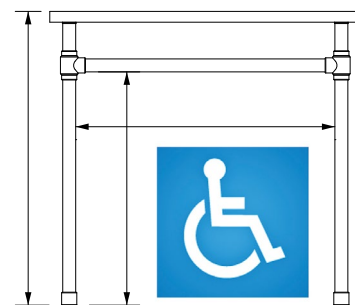
1.5" DIAMETER LEGS WITH 1.0" DIAMETER CROSSBARS

- combination of two tubing diameters
- provides dimensional contrast and design interest

DESCRIPTION	MODEL	PC / PN	PBUL	ABUL / ORB / SBL / SN / MB
SPLIT DIAMETER: 1.5" DIA LEGS WITH 1.0" DIA CROSSBARS	SD	USE PRICE OF 1.5" DIAMETER LEG SYSTEM		

for use with: T C BL B S

ADA



ADA COMPLIANT SIZING:

washstand conforms to Americans with Disabilities Act dimensions

- customization charge reflects minimum washstand dimensions required to meet ADA specifications

DESCRIPTION	MODEL	PC / PN	PBUL	ABUL / ORB / SBL / SN / MB
ADA CUSTOMIZATION	ADA	\$369 ea. any finish		

for use with: T C BL B E W CAP K P N BAY FR S M MET MOD SQ L AV BR

CURVED CROSSBAR



for larger image, see page 20 & 40

CURVED CROSSBAR CONFORMS TO RADIUS SHAPE OF COUNTER

- provides design flair • washstand cannot be field cut for width

DESCRIPTION	MODEL	PC / PN	PBUL	ABUL / ORB / SBL / SN / MB
CURVED CROSSBAR	CURV	CONTACT PALMER FOR QUOTE		

for use with: T C BL B E W K N S M MET MOD



R-020723



ACRYLIC ROD

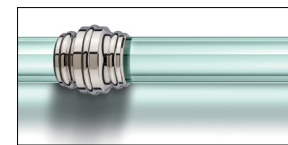
for larger image, see page 99



SUBSTITUTE ACRYLIC ROD FOR LEGS AND/OR HORIZONTAL TUBING

- crystal clear • non-aging • 1.5" diameter only • washstand cannot be field cut for width

also available in: Solid Black & Seafoam Green contact Palmer for pricing



LEGS	PERMA-CLEAR ACRYLIC HORIZONTALS, LEGS, & RISERS MODEL: ACRHL	PERMA-CLEAR ACRYLIC HORIZONTALS MODEL: ACRH	PERMA-CLEAR ACRYLIC LEGS MODEL: ACRL
1-LEG	N.A.	N.A.	ADD \$75
2-LEG	ADD \$300	ADD \$150	ADD \$150
3-LEG	ADD \$488	ADD \$263	ADD \$226
4-LEG	ADD \$450	ADD \$150	ADD \$300
5-LEG	ADD \$639	ADD \$263	ADD \$376

for use with: T C BL B S AV 1.5" Diameter ONLY

REEDED TUBING



for larger image, see page 37

SUBSTITUTE REEDED TUBING FOR LEGS AND/OR HORIZONTAL TUBING

- unique ribbed detail
- classic furniture design element

DESCRIPTION	MODEL	PC / PN	PBUL	ABUL / ORB / SBL / SN / MB
REEDED HORIZONTALS, LEGS, AND RISERS	RTHL	CONTACT PALMER FOR QUOTE		
REEDED HORIZONTALS	RTH			
REEDED LEGS	RTL			

for use with: T C BL B E W CAP K V REN

HAMMERED BALL



for larger image, see page 41

BALL IS HAND-TOOLED WITH HAMMERED FACETS

- hammered ball provides stylish texture and pleasing light reflections
  - each ball is hand-tooled by a skilled artisan
  - available for 1.5" and 1.0" diameter tubing

DESCRIPTION	MODEL	PC / PN	PBUL	ABUL / ORB / SBL / SN / MB
HAMMERED BALL	HB	\$314 ADDITIONAL PER FITTING (1PIECE)		

for use with: T C BL B K V REN N BAY FR MOD SG

Table of Contents

Styles

Classic Collection

Style	Images	Pricing
T Tapered Foot	11	46
C Decorative Collar	12	50
BL Ball Foot	13	54
B Bun Foot	14	58

Traditional Collection

E Essex	15	62
W Westport	16	64
CAP Capital	17	66
K Kingston	18	68
V Victorian	19	70
REN Renaissance	20	71
P Providence	21	72
N Newport	22	74
BAY Bayonne	23	76
FR Franklin	23	77

Modern Collection

S Studio	24	78
M Minimal	25	82
MET Metro	26	84
MOD Modern	27	88
SQ Square	28	90
L Linear	29	92
J Jamestown	30	93
AV Avery	31	94
BR Bristol	32	95

Wall Mount Collection

REG Regency	33	96
A Apex	34	97
SG Signature	35	98

Finishes, Options & Accessories

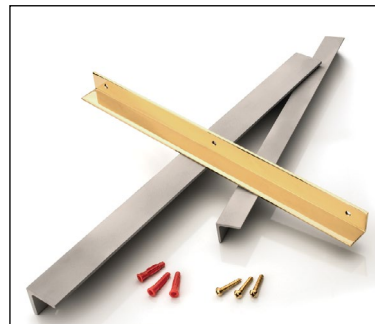
Finishes & Materials	36	100
Shelving & Supports	38	102
Options & Accessories	40	104

Appendices

Order Forms: Palmer & Stone Forest	108
Packing & Shipping	110
Policies & Procedures	111
China Sinks	113
Anatomy of a Leg System	114
Tubing Diameter Reference	115



WALL BRACKET



DIMENSIONS: Standard: 1.25" x 1.25" x 0.13" Heavy Weight: 1.75" x 1.75" x 0.19"

Length provided to suit counter width

Screws & wall anchors included

for larger image, see page 40

SUPPORTS COUNTER AT WALL • REQUIRED FOR ALL INSTALLATIONS

- standard wall bracket(s) included at no charge with all washstands
• heavy weight wall bracket recommended for counters 150 lb or more (a typical 36" W x 24" D x 1.25"-thick stone top weighs 80 lb)
• mounts to underside of counter at wall, not visible from a standing position

Table with 3 columns: DESCRIPTION, MODEL, MATTE ALUMINUM. Rows include WALL BRACKET ALUMINUM STANDARD WEIGHT and HEAVY WEIGHT.

Table with 4 columns: DESCRIPTION, MODEL, PC / PN / SN, PBUL / ABUL / ORB / SBL. Row includes WALL BRACKET SOLID BRASS STANDARD WEIGHT.

for use with: ALL STYLES \* not available in Polished Chrome (PC)

TOWEL RAIL



for larger image, see page 41

AUXILIARY TOWEL RAIL

- provides more accessibility for the hanging of towels
• cannot be used with acrylic horizontal crossbar option
• total projection of posts = 3 1/4"
• specify: TRL for left-side mount
• specify: TRR for right-side mount

Table with 5 columns: DESCRIPTION, MODEL, PC / PN, PBUL, ABUL / ORB / SBL / SN / MB. Row includes TOWEL RAIL.

for use with: T C BL B E W CAP K REN P N BAY FR S M MET MOD SQ J BR

TP HOLDER



for larger image, see page 41

SIDE MOUNTED TOILET PAPER HOLDER

- cannot be used with acrylic horizontal crossbar option
• specify: TPL for left-side mount
• specify: TPR for right-side mount

Table with 5 columns: DESCRIPTION, MODEL, PC / PN, PBUL, ABUL / ORB / SBL / SN / MB. Row includes TP HOLDER.

for use with: T C BL B E W CAP K REN P N BAY FR S M MET MOD SQ J BR



ORDER FORMS & SHIPPING

customer support



Decorative Collar



Table of Contents

Table with columns: Styles, Images, Pricing. Lists Classic Collection, Traditional Collection, Modern Collection, and Wall Mount Collection.

Finishes, Options & Accessories

Table with 3 columns: Category, Images, Pricing. Rows include Finishes & Materials, Shelving & Supports, Options & Accessories.

Appendices

Table with 3 columns: Appendix, Images, Pricing. Rows include Order Forms, Packing & Shipping, Policies & Procedures, China Sinks, Anatomy of a Leg System, Tubing Diameter Reference.

Calculate Packing & Shipping on pg 110 - Complete Order Form on page 108

401-421-1730 M-F 9-5:30 EST this form may be completed online at palmerindustries.com/resources-for-dealers

Dealer: \_\_\_\_\_ Date: \_\_\_\_\_  
Purchase Order #: \_\_\_\_\_  
Contact Person (for questions about this order): \_\_\_\_\_  
Phone: \_\_\_\_\_ Email: \_\_\_\_\_  
Palmer Model #: \_\_\_\_\_ Notes: \_\_\_\_\_

**SELECT FINISH**

<input type="checkbox"/> PC - Polished Chrome	<input type="checkbox"/> PN - Polished Nickel	<input type="checkbox"/> SN - Satin Nickel
<input type="checkbox"/> PBUL - Polished Brass Un-Lacquered	<input type="checkbox"/> ABUL - Aged Brass Un-Lacquered	<input type="checkbox"/> ORB - Oil Rubbed Bronze
<input type="checkbox"/> SBL - Satin Brass Lacquered	<input type="checkbox"/> MB - Semi-Matte Black	<input type="checkbox"/> OTHER: _____

**OPTIONS & ACCESSORIES**

**TOWEL SHELF:**  Tubular Metal: **TS**  Standard Glass: **GS-SC**  Low-Iron Glass: **GS-LI**  Teak Wood: **WS**  
*PLEASE NOTE: ALL SHELVES REQUIRE SHELF SUPPORTS*

**SHELF SUPPORTS:**  Rail: **SS-R**  Low Profile: **SS-LP**  Clip: **SS-C-**  Split Collar: **SS-SC**

**FRONT RISER:**  **FR-1** (1 riser - centered)  **FR-2** (2 risers - offset) Should be considered for counters 48" or wider (2-leg or 4-leg)

**SPLIT DIAMETER:**  **SD** (1.5" dia. legs & 1.0" dia. horizontals)

**ADA COMPLIANT:**  **ADA** (contact Palmer)

**ACRYLIC (1.5" dia. only):**  Horizontals, Legs, & Risers: **ACRHL**  Legs Only: **ACRL**  Horizontals Only: **ACRH**

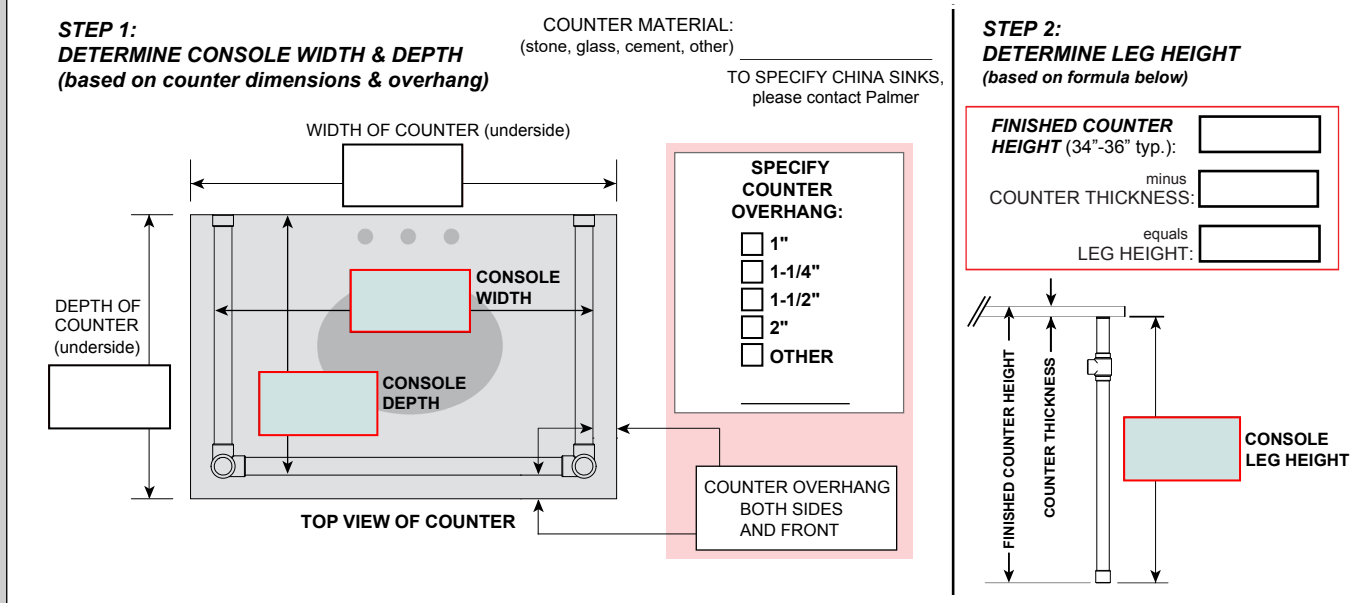
**REEDED TUBING:**  Horizontals, Legs, & Risers: **RTHL**  Legs Only: **RTL**  Horizontals Only: **RTH**

**HAMMERED BALLS:**  **HB**

**WALL BRACKET:** Standard aluminum wall bracket included with all leg systems  Heavy Duty Bracket: **WBHVY**  Solid Brass Finished: **WBSTDB**

**TOWEL RAIL:**  Left Side: **TRL**  Right Side: **TRR**

**TP HOLDER:**  Left Side: **TPL**  Right Side: **TPR**



**RUSH SERVICE REQUESTED:** please contact Palmer for Rush Service surcharges and policies  
Please answer all relevant questions. Incomplete order forms will delay the ording process.

Signature: \_\_\_\_\_ Date: \_\_\_\_\_  
All Palmer products are custom made and are NOT returnable. February 2023 Price List PalmerIndustries.com

401-421-1730 M-F 9-5:30 EST this form may be completed online at palmerindustries.com/resources-for-dealers

Dealer: \_\_\_\_\_ Date: \_\_\_\_\_  
P.O. #: \_\_\_\_\_ Contact Person (for questions about this order): \_\_\_\_\_  
Phone: \_\_\_\_\_ email: \_\_\_\_\_  
Notes: \_\_\_\_\_

**IMPORTANT: THE PALMER MODEL NUMBERS AND RETAIL PRICES INDICATED BELOW REFLECT ONLY THE STYLES CURRENTLY SHOWN IN THE STONE FOREST CATALOG. NOTE: ANY PALMER WASHSTAND CAN BE SPECIFIED FOR USE WITH ANY STONE FOREST SINK. PLEASE CONTACT PALMER FOR PRICING OF ANY OTHER CONFIGURATION.**

**RETAIL PRICES EFFECTIVE February 15, 2023**

NOTE: All pricing includes standard or heavy weight wall brackets as required and includes sizing surcharges

	Stone Forest	Palmer	Palmer Style	PC & PN	PBUL	ABUL / ORB / SBL / SN / MB
<input type="checkbox"/>	C75 BORDEAUX 36.5"	LS2C-SFB	DECORATIVE COLLAR	\$3,139	\$3,453	\$4,081
<input type="checkbox"/>	C90-27SK VINTAGE 27"	LS2E-SFV27	ESSEX	\$3,214	\$3,575	\$4,179
<input type="checkbox"/>	C90-27SK VINTAGE 27"	LS2CAP-SFV27	CAPITAL	\$4,294	\$4,722	\$5,581
<input type="checkbox"/>	C90-27SK VINTAGE WALL 27"	WMA-SFV27	APEX	\$2,185	\$2,403	\$2,793
<input type="checkbox"/>	C98-36 CORTINA 36"	LS2M-SFCR	MINIMAL	\$3,214	\$3,535	\$4,179
<input type="checkbox"/>	C92-42 RENAISSANCE 42"	LS41REN	RENAISSANCE	\$4,980	\$5,190	\$6,235
<input type="checkbox"/>	C92-WL30 PETITE REN 2 LEG 30"	LS21REN	RENAISSANCE	\$3,553	\$3,727	\$4,492
<input type="checkbox"/>	C92-WL30 PETITE REN WALL 30"	WMREG	REGENCY *	\$4,818	\$4,818	\$4,818
<input type="checkbox"/>	C94-24 HARBOR 24"	LS2J-SFH	JAMESTOWN	\$3,312	\$3,643	\$4,306
<input type="checkbox"/>	C96-47 BAYONNE 47"	LS4BAY	BAYONNE	\$9,835	\$9,835	\$10,819
<input type="checkbox"/>	C96-47 BAYONNE 47"	LS4FR	FRANKLIN	\$7,124	\$7,124	\$7,837

\*Not Available in PC

NOTE: ALL STONE FOREST COUNTERS FINISH AT 36" HIGH

**SELECT FINISH**

<input type="checkbox"/> PC - Polished Chrome	<input type="checkbox"/> PN - Polished Nickel	<input type="checkbox"/> SN - Satin Nickel
<input type="checkbox"/> PBUL - Polished Brass Un-Lacquered	<input type="checkbox"/> ABUL - Aged Brass Un-Lacquered	<input type="checkbox"/> ORB - Oil Rubbed Bronze
<input type="checkbox"/> SBL - Satin Brass Lacquered	<input type="checkbox"/> MB - Semi-Matte Black	<input type="checkbox"/> OTHER: _____

**OPTIONS & ACCESSORIES**

**TOWEL SHELF:**  Tubular Metal: **TS**  Standard Glass: **GS-SC**  Low-Iron Glass: **GS-LI**  Teak Wood: **WS**  
*PLEASE NOTE: ALL SHELVES REQUIRE SHELF SUPPORTS*

**SHELF SUPPORTS:**  Rail: **SS-R**  Low Profile: **SS-LP**  Clip: **SS-C-**  Split Collar: **SS-SC**

**CLEAR ACRYLIC ROD:**  Horizontals, Legs, & Risers: **ACRHL**  Legs Only: **ACRL**  Horizontals Only: **ACRH**

**REEDED TUBING:**  Horizontals, Legs, & Risers: **RTHL**  Legs Only: **RTL**  Horizontals Only: **RTH**

**HAMMERED BALLS:**  **HB**

**WALL BRACKET:** Heavy Duty Bracket (WBHVY) included when appropriate for the Stone Forest top  Solid Brass Finished: **WBSTDB**

**TOWEL RAIL:**  Left Side: **TRL**  Right Side: **TRR**

**TP HOLDER:**  Left Side: **TPL**  Right Side: **TPR**

**RUSH SERVICE REQUESTED:** please contact Palmer for Rush Service surcharges and policies  
Please answer all relevant questions. Incomplete order forms will delay the ording process.

Signature: \_\_\_\_\_ Date: \_\_\_\_\_  
All Palmer products are custom made and are NOT returnable. M-F 9-5:30 EST

Table of Contents

Styles

Classic Collection

Style	Images	Pricing
<b>T</b> Tapered Foot	11	46
<b>C</b> Decorative Collar	12	50
<b>BL</b> Ball Foot	13	54
<b>B</b> Bun Foot	14	58

Traditional Collection

<b>E</b> Essex	15	62
<b>W</b> Westport	16	64
<b>CAP</b> Capital	17	66
<b>K</b> Kingston	18	68
<b>V</b> Victorian	19	70
<b>REN</b> Renaissance	20	71
<b>P</b> Providence	21	72
<b>N</b> Newport	22	74
<b>BAY</b> Bayonne	23	76
<b>FR</b> Franklin	23	77

Modern Collection

<b>S</b> Studio	24	78
<b>M</b> Minimal	25	82
<b>MET</b> Metro	26	84
<b>MOD</b> Modern	27	88
<b>SQ</b> Square	28	90
<b>L</b> Linear	29	92
<b>J</b> Jamestown	30	93
<b>AV</b> Avery	31	94
<b>BR</b> Bristol	32	95

Wall Mount Collection

<b>REG</b> Regency	33	96
<b>A</b> Apex	34	97
<b>SG</b> Signature	35	98

Finishes, Options & Accessories

Finishes & Materials	36	100
Shelving & Supports	38	102
Options & Accessories	40	104

Appendices

Order Forms: Palmer & Stone Forest	108
Packing & Shipping	110
Policies & Procedures	111
China Sinks	113
Anatomy of a Leg System	114
Tubing Diameter Reference	115





## Estimated Packaging and Shipping Rates for USA and Canada

**PALMER SHIPS EXCLUSIVELY VIA UPS WITH OUR OWN ACCOUNT (FREIGHT PREPAID), AND WILL INVOICE THE DEALER FOR ALL PACKAGING AND SHIPPING COSTS, WITHOUT EXCEPTION. WE DO NOT SHIP USING A DEALER'S UPS ACCOUNT, OR ANY OTHER SHIPPING METHODS.**

- ESTIMATED PRICES INCLUDE ALL PACKAGING, BOXING, STANDARD GROUND UPS SHIPPING COSTS, AND INSURANCE, DELIVERED TO THE COMMERCIAL DEALER BUSINESS LOCATION.
- THE RATES BELOW ARE PROVIDED AS ESTIMATES ONLY, NOT FIRM QUOTES; RATES ARE SUBJECT TO CHANGE, AND MAY VARY DEPENDING ON FINAL SHIPPING WEIGHT AND PACKAGING DIMENSIONS.
- CONTACT PALMER FOR EXPEDITED SHIPPING RATES.
- DROP-SHIPPING DIRECTLY TO A RESIDENTIAL ADDRESS WILL INCUR AN ADDITIONAL DROP-SHIP FEE OF \$25 PER CARTON AND A SIGNATURE WILL BE REQUIRED AT DELIVERY. WE WILL NEED THE RECIPIENT'S E-MAIL ADDRESS FOR UPS NOTIFICATIONS.
- PACKAGING AND SHIPPING COSTS FOR CUSTOM UNITS OF ANY KIND ARE BY QUOTE ONLY; DO NOT USE THE ESTIMATES BELOW.

LOCATE SHIPPING REGION BY STATE						
AK - call	DE - A	KS - C	MO - B	NM - C	SC - B	WI - B
AL - B	FL - B	KY - B	MS - B	NV - C	SD - C	WV - A
AR - B	GA - B	LA - B	MT - C	NY - A	TN - B	WY - C
AZ - C	HI - call	MA - A	NC - B	OH - B	TX - C	
CA - C	IA - B	MD - A	ND - C	OK - C	UT - C	CANADA
CO - C	ID - C	ME - A	NE - C	OR - C	VA - A	
CT - A	IL - B	MI - B	NH - A	PA - A	VT - A	ON - D
DC - A	IN - B	MN - B	NJ - A	RI - A	WA - C	QC - D

- RATES REPRESENT
- DEALER NET COST

**NOTE: SHIPPING ESTIMATES TO CANADA DO NOT INCLUDE CUSTOMS, BROKERAGE, DUTY, OR TAXES. THESE ARE PAID BY THE RECEIVING DEALER DIRECTLY TO UPS.**

DETERMINE PACKAGING & SHIPPING NET COST BY MODEL, SIZE, & REGION				SHIPPING REGION			
	MODEL	DESCRIPTION	COUNTER WIDTH	A	B	C	D
Leg Systems	LS2	2-LEG SYSTEM	UP TO 48"	\$98	\$119	\$130	\$153
		2-LEG SYSTEM	UP TO 60"	\$194	\$202	\$213	\$244
	LS3	3-LEG SYSTEM	UP TO 90"	\$125	\$149	\$168	\$190
		4-LEG SYSTEM	UP TO 48"	\$123	\$145	\$165	\$186
	LS4	4-LEG SYSTEM	UP TO 60"	\$218	\$231	\$240	\$275
5-LEG SYSTEM		UP TO 90"	\$142	\$171	\$190	\$212	
Tubular Metal Shelves	TS2 or TS4	2 OR 4-LEG - TUBULAR METAL	UP TO 48"	\$96	\$112	\$124	\$142
		2 OR 4-LEG - TUBULAR METAL	UP TO 60"	\$179	\$202	\$218	\$233
	TS3 or TS5	3 OR 5-LEG - TUBULAR METAL	UP TO 90"	\$121	\$138	\$146	\$165
Glass Shelves	GS2 or GS4	2 OR 4-LEG - GLASS	UP TO 36"	\$95	\$114	\$121	\$145
		2 OR 4-LEG - GLASS	UP TO 42"	\$118	\$141	\$144	\$175
		2 OR 4-LEG - GLASS	UP TO 48"	\$166	\$188	\$201	\$220
		2 OR 4-LEG - GLASS	UP TO 60"	\$201	\$218	\$221	\$262
	GS3 or GS5	3 OR 5-LEG - GLASS	UP TO 72"	\$210	\$229	\$241	\$270
3 OR 5-LEG - GLASS		UP TO 90"	\$235	\$286	\$296	\$364	
Teak Wood Shelves	WS2 or WS4	2 OR 4-LEG - TEAK WOOD	UP TO 48"	\$96	\$112	\$124	\$142
		2 OR 4-LEG - TEAK WOOD	UP TO 60"	\$179	\$202	\$218	\$233
	WS3 or WS5	3 OR 5-LEG - TEAK WOOD	UP TO 72"	\$121	\$138	\$146	\$165
Shelf Supports	SS	SHELF SUPPORTS	-	\$19	\$22	\$25	\$32
Wall Mounts	WM	WALL MOUNT SYSTEM	-	\$98	\$119	\$130	\$153

- Purchasing Policy:** Palmer is sold only through authorized Palmer distributors (dealer display requirements apply). Possession of this catalog does not constitute an authorization to sell Palmer products. Dealer discount is based on displays, timely payments, and sales volume. Dealers must maintain display requirements to keep their status as a displaying dealer.
- Terms:** Net 30 days upon established credit approval. Payment by business check or ACH via our website portal. Credit card payments and wire transfers may be allowed (Palmer must authorize), and will incur processing fees. The dealer is responsible for ensuring payments are properly made and received. Pre-Paid Orders must be paid in full prior to shipping. Any delays in payment may be subject to storage and/or late fees.
- Minimum order:** There is no minimum order requirement.
- Delivery and Freight:** Palmer reserves the right to select the final carrier of any shipment. Palmer ships via UPS with our own account (freight prepaid), and will invoice the dealer for all shipping costs, without exception. We do not ship using a dealer's UPS account, or any other shipping method. Each leg system is packaged individually, regardless of total order quantity (unless otherwise specified on high-volume projects). A delivery charge will be assessed to each leg system, and shall consist of the total of all packaging, boxing, standard ground UPS shipping costs, and insurance. There is no pickup available. Drop-Ship orders will incur additional shipping costs, and a signature will be required at the time of delivery.
- Claims and Returns:** Any claims for damages, shortages, and incorrect merchandise must be reported to Palmer within 10 days of delivery. Please confirm all washstand specifications and dimensions prior to installation. Palmer is not responsible for labor associated with the replacement of incorrect product.  
  
All Palmer products are fabricated to order, and as such, are NON-RETURNABLE and NON-CANCELABLE under any conditions. Palmer Drawing and Design fees are NON-CANCELABLE and NON-REFUNDABLE.  
  
Any orders that cannot be shipped within 30 days from completion may be considered abandoned.
- Warranty:** Palmer warrants the leg system against any mechanical failure of parts for three years when properly installed and used for the intended purpose only. This warranty covers parts only; labor and shipping costs are not included. Polished Chrome, Polished and Satin Nickel, and PVD finishes carry a one-year warranty. All other finishes are not warranted. Palmer custom and living finishes are hand applied, and as such, are subject to natural variations in color and texture consistent with related products in the market. Different components, such as tubing and fittings, are likely to have slightly different color tone due to their unique metal composition and the high degree of hand craftsmanship involved with the finishing process. Our legs are superbly finished, but they are not jewelry. When "defects" occur, they should be viewed at approximately the same angle and distance that you would view the washstand when installed: i.e., the leg is on the floor and you are standing. If the defect is visible at that vantage point, it may be considered a legitimate reject; if not, it is considered to be within industry standards for bathroom furniture. The same standards would not apply to a faucet, for example, since it is viewed at eye level and must be "perfect".

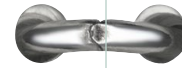
Styles	Images	Pricing
<i>Classic Collection</i>		
<b>T</b> Tapered Foot	11	46
<b>C</b> Decorative Collar	12	50
<b>BL</b> Ball Foot	13	54
<b>B</b> Bun Foot	14	58
<i>Traditional Collection</i>		
<b>E</b> Essex	15	62
<b>W</b> Westport	16	64
<b>CAP</b> Capital	17	66
<b>K</b> Kingston	18	68
<b>V</b> Victorian	19	70
<b>REN</b> Renaissance	20	71
<b>P</b> Providence	21	72
<b>N</b> Newport	22	74
<b>BAY</b> Bayonne	23	76
<b>FR</b> Franklin	23	77
<i>Modern Collection</i>		
<b>S</b> Studio	24	78
<b>M</b> Minimal	25	82
<b>MET</b> Metro	26	84
<b>MOD</b> Modern	27	88
<b>SQ</b> Square	28	90
<b>L</b> Linear	29	92
<b>J</b> Jamestown	30	93
<b>AV</b> Avery	31	94
<b>BR</b> Bristol	32	95
<i>Wall Mount Collection</i>		
<b>REG</b> Regency	33	96
<b>A</b> Apex	34	97
<b>SG</b> Signature	35	98

### Finishes, Options & Accessories

Finishes & Materials	36	100
Shelving & Supports	38	102
Options & Accessories	40	104

### Appendices

Order Forms: Palmer & Stone Forest	108
Packing & Shipping	110
Policies & Procedures	111
China Sinks	113
Anatomy of a Leg System	114
Tubing Diameter Reference	115



R-020723

R-020723





- 7. **Internet Selling Policy:** Palmer does not allow the selling of our products via the Internet. Palmer products are to be marketed and sold within the dealer's service area only. If Palmer products are presented on a dealer's website, images and associated copy used must satisfy our specific guidelines. Palmer must be contacted for approval prior to any images or information being posted on a dealer's website.
- 8. **M.A.P. Policy:** Advertised prices of products may not appear at a discount of greater than twenty-five percent (25%) below Palmer's current retail price. For repeated violations, Palmer may suspend or terminate the Reseller's authorization to sell Palmer products. It is our view that the advertising of steep price discounts devalues our products, brand, and dealers.
- 9. **Rush Service:** Palmer offers an expedited production service to our dealers, at an additional charge. This charge will be assessed upon evaluation of the order complexity, customization, quantity, options, and finish. Rush service and charges must be indicated on the dealer's purchase order, and a Palmer Order Form, with the Rush option selected, must be submitted with the order. Expedited shipping is also available at an additional fee on request.
- 10. **Drawing/Design Services:** Palmer offers complete drawing and design services for custom units. (All our standard model specifications and drawings can be found on our website.) A drawing/design fee will be assessed upon evaluation of the project and the requirements of the specifier. Drawings can be provided in PDF or DXF format. Drawings and subsequent signed drawing approvals are mandatory for any projects falling outside our standard product offering (style and configuration). Drawing and design fees are NON-CANCELABLE and NON-REFUNDABLE.
- 11. **Ordering Procedure:** A Palmer Order Form must be submitted with every custom-size order, Rush order, orders with any options or modifications, and orders including any Palmer shelf. The submittal of the Order Form is mandatory, and will expedite the processing of the order. Incomplete order forms will delay the ordering process.
- 12. **Disclaimer:** The information contained within this catalog is intended to provide information about products and services available for purchase from Palmer Industries, Inc. ("Palmer"). All reasonable efforts have been made to ensure the accuracy of the information provided herein. Palmer does not warrant the accuracy of the information contained herein and reserves the right to make changes to this catalog at any time without notice.  
  
Except where otherwise noted or superseded by process of law, Palmer accepts no responsibility or liability for any losses or damages of any kind arising out of the use of this catalog or any of its related functions.  
  
This catalog is offered on the basis of the terms and conditions stated herein. Use of the online catalog confirms the user's acceptance of these same terms and conditions.  
  
The copyright of all content of this catalog is owned by Palmer Industries, Inc. No part of the Palmer catalog may be changed, reproduced, stored in or transmitted on any website or medium without the prior written permission of Palmer. Requests to republish any material must be sent to info@palmerindustries.com.



R-020723 R-020723



### Palmer washstands are the natural choice for supporting china or porcelain sinks...the perfect marriage.

Palmer leg systems can be sized to accommodate almost any choice of china sink.

Sizing a stand to properly fit a china sink can be accomplished three ways:

1. Choose a china sink from our online database located on our website Resources page at sinklegs.com/sinks. This database represents a current listing of sinks that Palmer has evaluated. Palmer will build the stand to fit the sink exactly.
2. Drop-ship the sink directly to Palmer for proper sizing evaluation. Palmer will then take all the appropriate measurements, and determine a washstand size that fits the sink perfectly. Please contact palmer for shipping arrangements.
3. Order the washstand larger than required with the intention of cutting the leg system on-site to fit the sink. Note: shelves cannot be field cut.



Minimal with Duravit DuraStyle sink

Styles	Images	Pricing
<i>Classic Collection</i>		
<b>T</b> Tapered Foot	11	46
<b>C</b> Decorative Collar	12	50
<b>BL</b> Ball Foot	13	54
<b>B</b> Bun Foot	14	58
<i>Traditional Collection</i>		
<b>E</b> Essex	15	62
<b>W</b> Westport	16	64
<b>CAP</b> Capital	17	66
<b>K</b> Kingston	18	68
<b>V</b> Victorian	19	70
<b>REN</b> Renaissance	20	71
<b>P</b> Providence	21	72
<b>N</b> Newport	22	74
<b>BAY</b> Bayonne	23	76
<b>FR</b> Franklin	23	77
<i>Modern Collection</i>		
<b>S</b> Studio	24	78
<b>M</b> Minimal	25	82
<b>MET</b> Metro	26	84
<b>MOD</b> Modern	27	88
<b>SQ</b> Square	28	90
<b>L</b> Linear	29	92
<b>J</b> Jamestown	30	93
<b>AV</b> Avery	31	94
<b>BR</b> Bristol	32	95
<i>Wall Mount Collection</i>		
<b>REG</b> Regency	33	96
<b>A</b> Apex	34	97
<b>SG</b> Signature	35	98

#### Finishes, Options & Accessories

Finishes & Materials	36	100
Shelving & Supports	38	102
Options & Accessories	40	104

#### Appendices

Order Forms: Palmer & Stone Forest	108
Packing & Shipping	110
Policies & Procedures	111
China Sinks	113
Anatomy of a Leg System	114
Tubing Diameter Reference	115



### Styles

#### Classic Collection

	Images	Pricing
<b>T</b> Tapered Foot	11	46
<b>C</b> Decorative Collar	12	50
<b>BL</b> Ball Foot	13	54
<b>B</b> Bun Foot	14	58

#### Traditional Collection

<b>E</b> Essex	15	62
<b>W</b> Westport	16	64
<b>CAP</b> Capital	17	66
<b>K</b> Kingston	18	68
<b>V</b> Victorian	19	70
<b>REN</b> Renaissance	20	71
<b>P</b> Providence	21	72
<b>N</b> Newport	22	74
<b>BAY</b> Bayonne	23	76
<b>FR</b> Franklin	23	77

#### Modern Collection

<b>S</b> Studio	24	78
<b>M</b> Minimal	25	82
<b>MET</b> Metro	26	84
<b>MOD</b> Modern	27	88
<b>SQ</b> Square	28	90
<b>L</b> Linear	29	92
<b>J</b> Jamestown	30	93
<b>AV</b> Avery	31	94
<b>BR</b> Bristol	32	95

#### Wall Mount Collection

<b>REG</b> Regency	33	96
<b>A</b> Apex	34	97
<b>SG</b> Signature	35	98

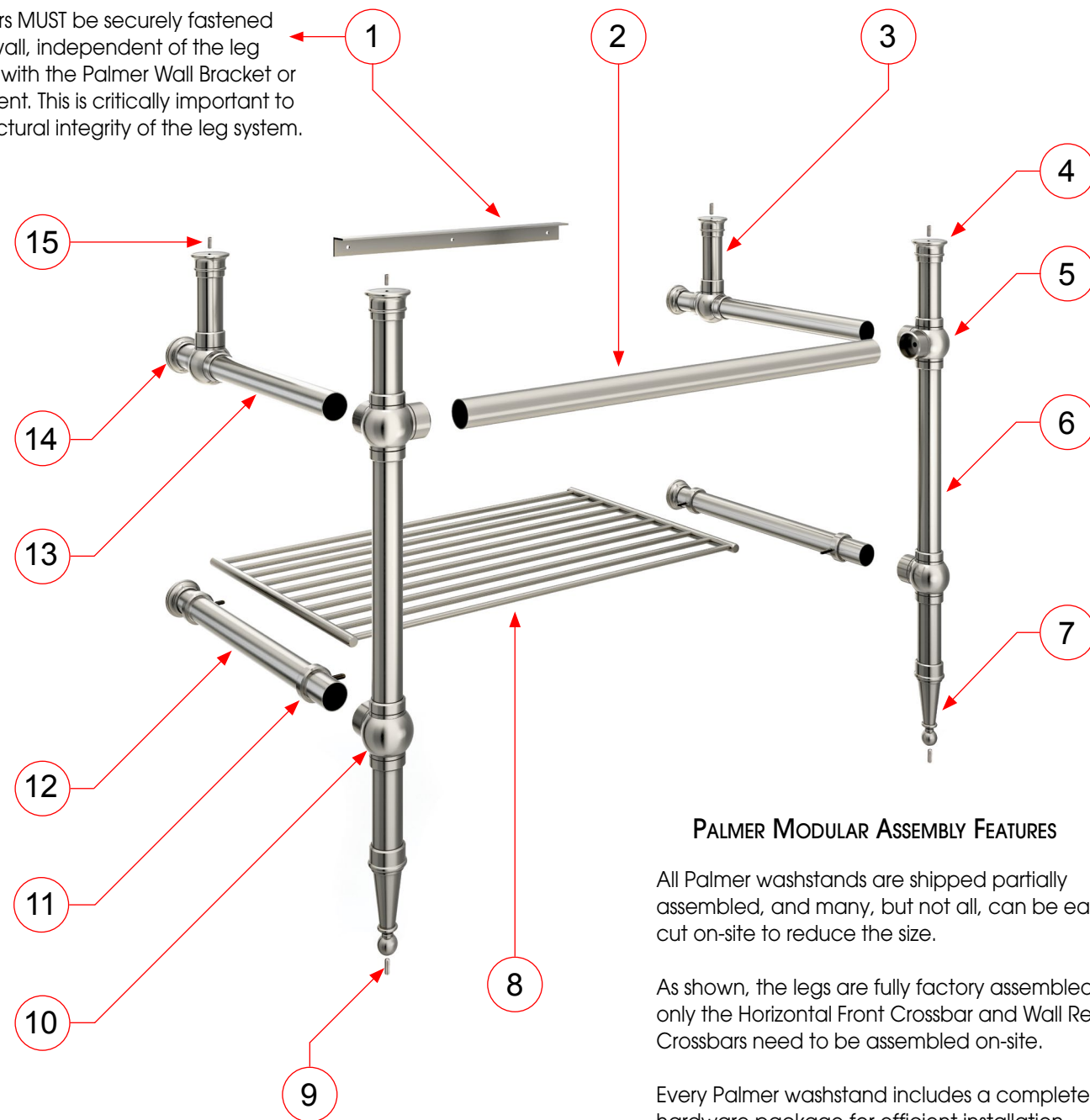
#### Finishes, Options & Accessories

Finishes & Materials	36	100
Shelving & Supports	38	102
Options & Accessories	40	104

#### Appendices

Order Forms: Palmer & Stone Forest	108
Packing & Shipping	110
Policies & Procedures	111
China Sinks	113
Anatomy of a Leg System	114
Tubing Diameter Reference	115

Counters MUST be securely fastened to the wall, independent of the leg system, with the Palmer Wall Bracket or equivalent. This is critically important to the structural integrity of the leg system.



#### PALMER MODULAR ASSEMBLY FEATURES

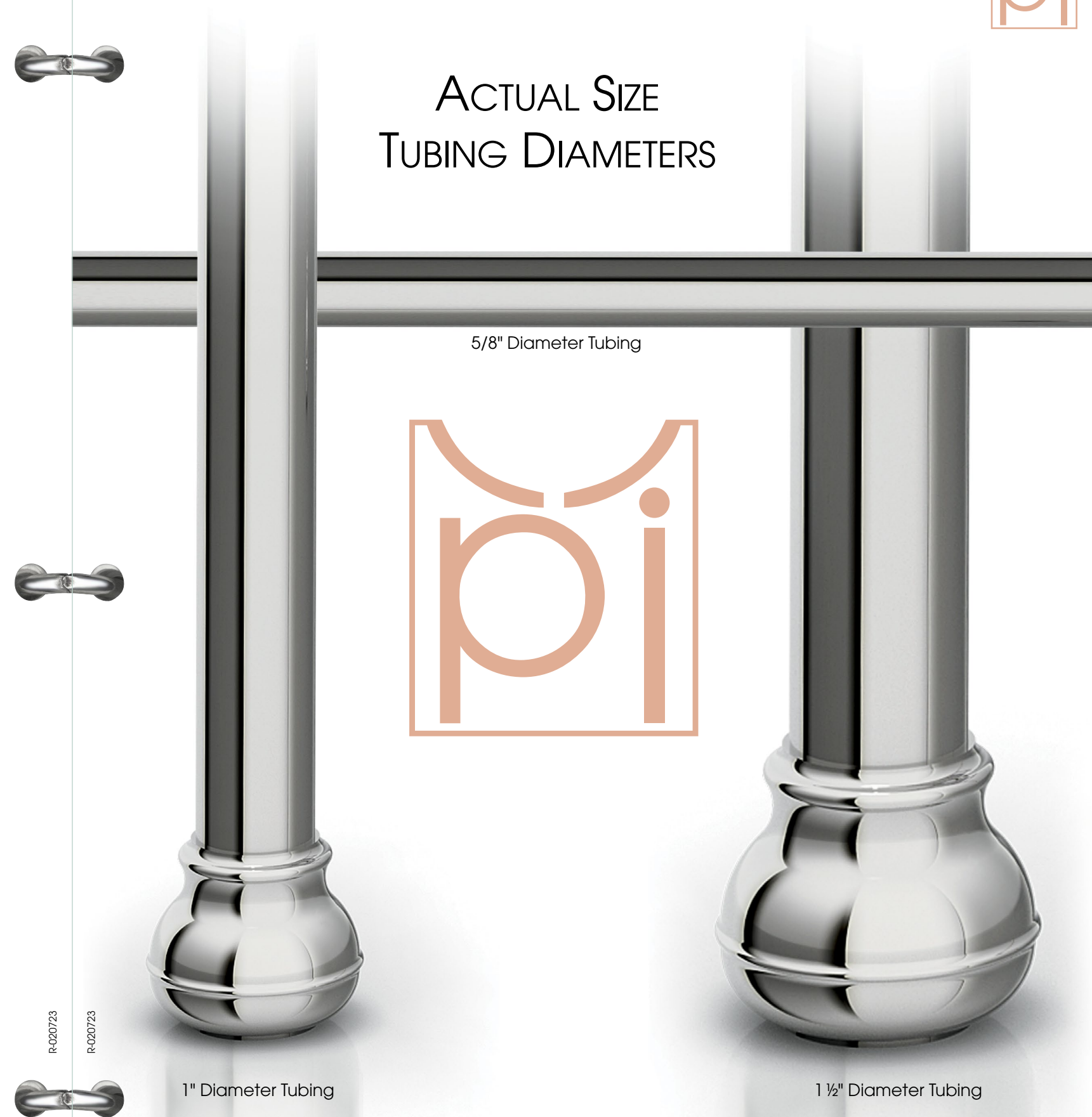
All Palmer washstands are shipped partially assembled, and many, but not all, can be easily cut on-site to reduce the size.

As shown, the legs are fully factory assembled, so only the Horizontal Front Crossbar and Wall Return Crossbars need to be assembled on-site.

Every Palmer washstand includes a complete hardware package for efficient installation.

- 1. Wall Bracket
- 2. Front Crossbar
- 3. Rear Riser (optional)
- 4. Top Cap
- 5. Corner Joint
- 6. Leg Tube
- 7. Foot
- 8. Shelf (optional)
- 9. Floor Pin
- 10. Shelf Support Tee Joint (optional)
- 11. Shelf Support Ring (optional)
- 12. Shelf Support Tube (optional)
- 13. Wall Return Crossbar
- 14. Wall Flange
- 15. Counter Pin

## ACTUAL SIZE TUBING DIAMETERS



5/8" Diameter Tubing

1" Diameter Tubing

1 1/2" Diameter Tubing

# PALMER INDUSTRIES

CUSTOM SINK LEG SOLUTIONS



Palmer Industries

[info@palmerindustries.com](mailto:info@palmerindustries.com)

[palmerindustries.com](http://palmerindustries.com)

[sinklegs.com](http://sinklegs.com)

phone: (401) 421-1730

American Manufacturing



Warwick, Rhode Island