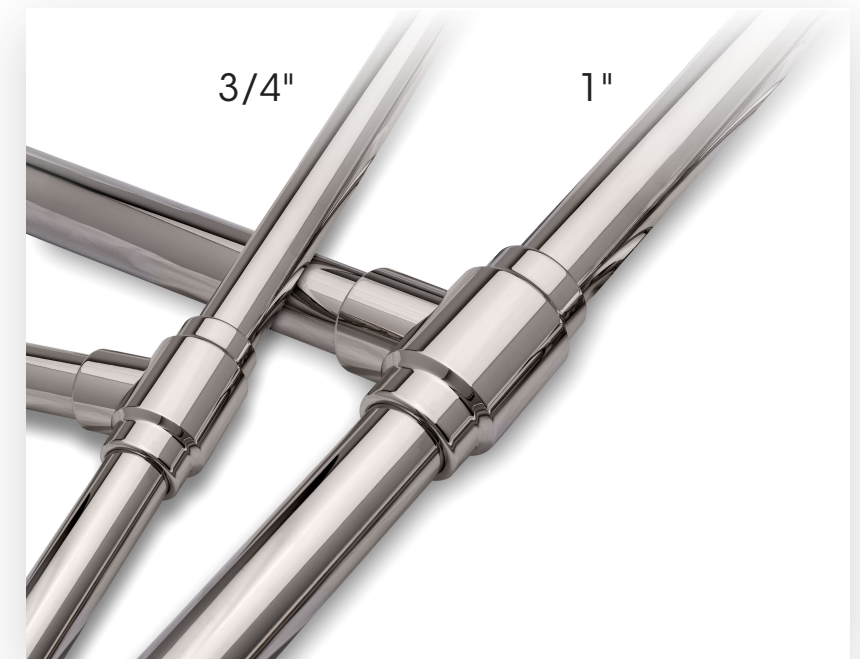


Shown fully wall-mounted; also available in ceiling and counter-mounted configurations.

3/4" STUDIO TUBULAR SHELVING

Palmer's 3/4" diameter tubing and complementary connectors bring a lighter sense of proportion and elevate modern industrial utility to a refined state of luxurious design.

Wall mount with rear-post pass-through design



The modest dimensions of the 3/4" diameter tubing is appropriate for smaller spaces and a more discreet design aesthetic.

American Manufacturing



Warwick, Rhode Island