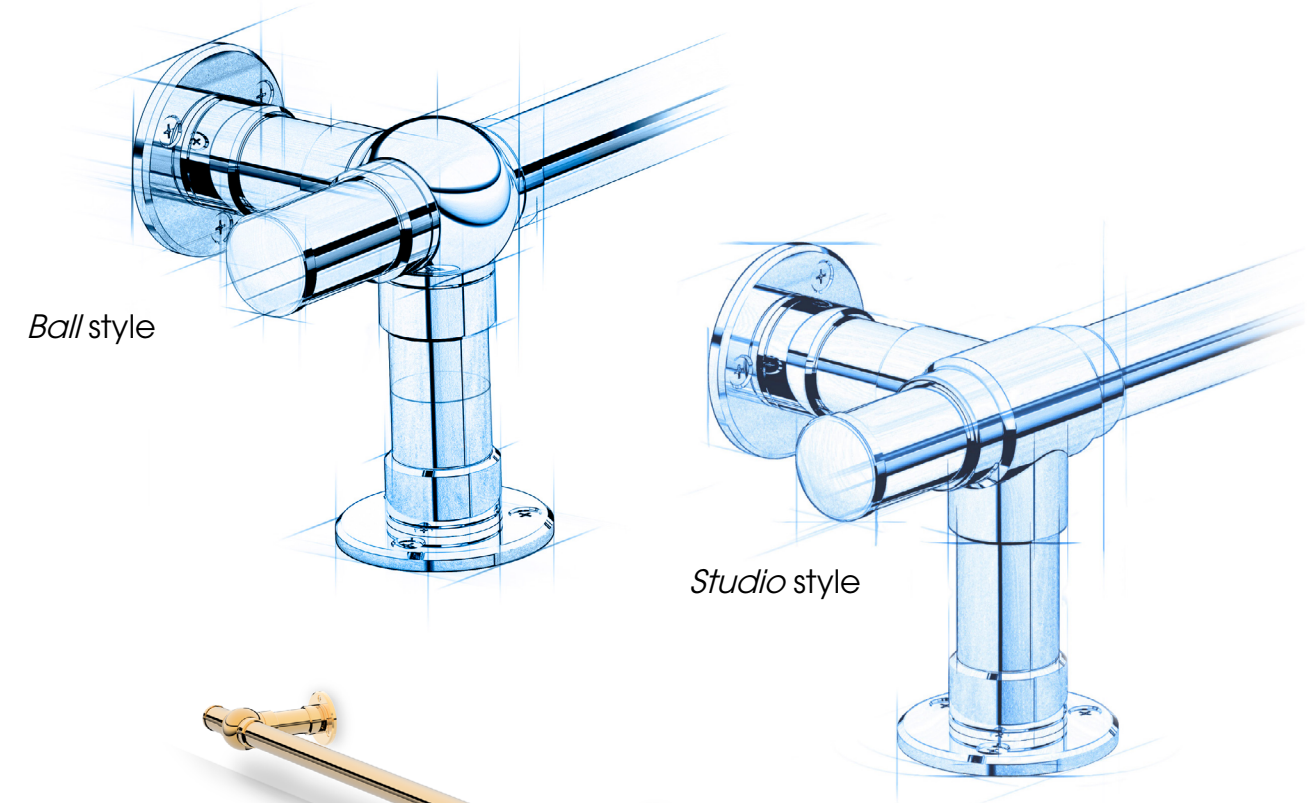


## Foot Rails

Palmer's foot rails add a touch of sophistication and elegance, while providing comfortable foot support for bar and counter seating.

- Fully customizable to almost any length and height for a perfect fit
- Available in all finishes in both *Ball style* and *Studio style*
- Multiple mounting options to suit your design needs
- Available in 1-1/2" diameter tubing
- Custom curves available to suit the shape of your bar



Wall mounted system

Floor mounted system

Floor + wall mounted system

American Manufacturing



Warwick, Rhode Island