

PALMER INDUSTRIES

CUSTOM ARCHITECTURAL METALWORK



Soho

SINK²⁰
25 LEGS

January 2025

American Manufacturing
Warwick, Rhode Island



Photo: Paul Costello

Tapered Foot

Palmer Industries is the leading manufacturer of vanity sink legs. Palmer washstands are proudly manufactured in the USA – designed, fabricated, assembled, and packaged in our Rhode Island facility. We maintain complete control over the entire process, enabling Palmer to custom fabricate any style, any size, any configuration, and any finish, efficiently and accurately.

All page numbers shown in the Table of Contents or referenced on any page are active HyperLinks, click on them and they will take you to that page. Many other references are also active links.

Table of Contents

Styles

<i>Classic Collection</i>		
T	Tapered Foot	12
C	Decorative Collar	13
BL	Ball Foot	14
B	Bun Foot	15
<i>Traditional Collection</i>		
E	Essex	16
W	Westport	17
CAP	Capital	18
K	Kingston	19
V	Victorian	20
P	Providence	21
REN	Renaissance	22
PREN	Petite Renaissance	23
N	Newport	24
BAY	Bayonne	25
FR	Franklin	25
EM	Embry	26
SH	Soho	27
<i>Modern Collection</i>		
S	Studio	28
M	Minimal	29
MET	Metro	30
MOD	Modern	31
SQ	Square	32
L	Linear	33
J	Jamestown	34
BR	Bristol	35
<i>Wall Mount Collection</i>		
REG	Regency	36
A	Apex	37
SG	Signature	38

Finishes, Options & Accessories

Finishes & Materials	40
Shelving & Supports	42
Options & Accessories	44

Appendices

Policies & Procedures	46
China Sinks	48
Anatomy of a Leg System	50
Tubing Diameter Reference	51



As a designer, engineer, and manufacturer of custom architectural metalwork, Palmer specializes in the production of America's finest Custom Vanity Sink Legs.

Sink Legs do not simply play a supporting role in the design of your vanity; they play the defining role. The choice between elegant legs or just a wood box changes everything...

A Palmer leg system will integrate perfectly with your unique choices of personal colors, wall, floor, and counter materials, plumbing fixtures, and style.

Palmer washstands will support any choice of counter material, such as granite, marble, quartz, porcelain, cement, composite, glass, metal, or wood. You provide the counter, and Palmer will design the perfect leg system exactly to your unique specifications... an ideal marriage.

Engineered in solid brass and richly finished in a full palette of lustrous platings, coatings, and hand-rubbed patinas, Palmer Industries brings you the finest in custom vanity sink legs, perfectly at home in your elegant master bedroom suite or your understated powder room.

Table of Contents

Styles

<i>Classic Collection</i>	
T Tapered Foot	12
C Decorative Collar	13
BL Ball Foot	14
B Bun Foot	15
<i>Traditional Collection</i>	
E Essex	16
W Westport	17
CAP Capital	18
K Kingston	19
V Victorian	20
P Providence	21
REN Renaissance	22
PREN Petite Renaissance	23
N Newport	24
BAY Bayonne	25
FR Franklin	25
EM Embry	26
SH Soho	27
<i>Modern Collection</i>	
S Studio	28
M Minimal	29
MET Metro	30
MOD Modern	31
SQ Square	32
L Linear	33
J Jamestown	34
BR Bristol	35
<i>Wall Mount Collection</i>	
REG Regency	36
A Apex	37
SG Signature	38

Finishes, Options & Accessories

Finishes & Materials	40
Shelving & Supports	42
Options & Accessories	44

Appendices

Policies & Procedures	46
China Sinks	48
Anatomy of a Leg System	50
Tubing Diameter Reference	51





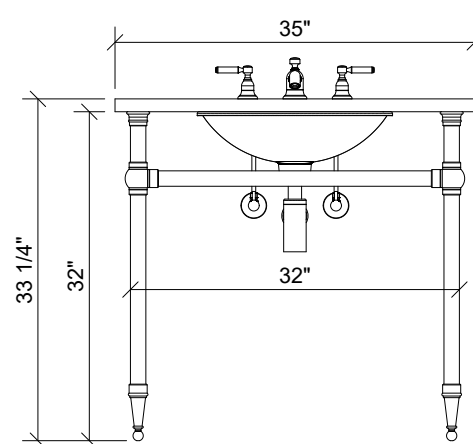
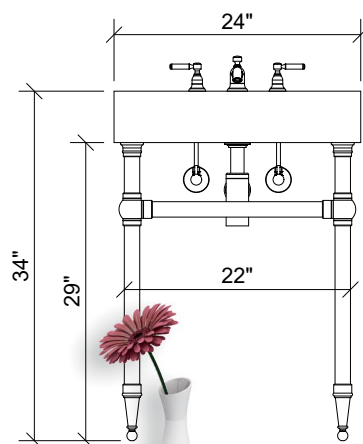
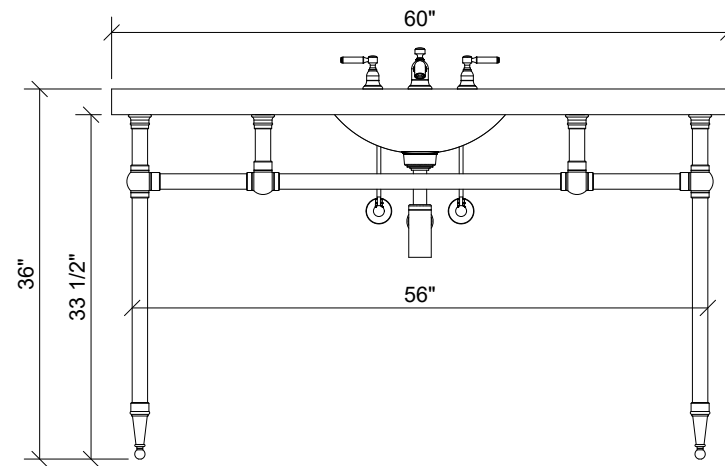
At Palmer, Custom Sizing is not "Custom"...

Each and every leg system is built to order...
one at a time...
to your exact size

One artisan...
One leg system...
One individual "work of art"

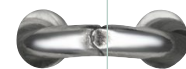


Tapered Foot



Because Palmer hand builds ALL leg systems to order, we can easily adjust the width, depth, and finished height to suit your customer's exact needs for a modest additional cost.

Give us your counter dimensions and we'll deliver an exact fit.

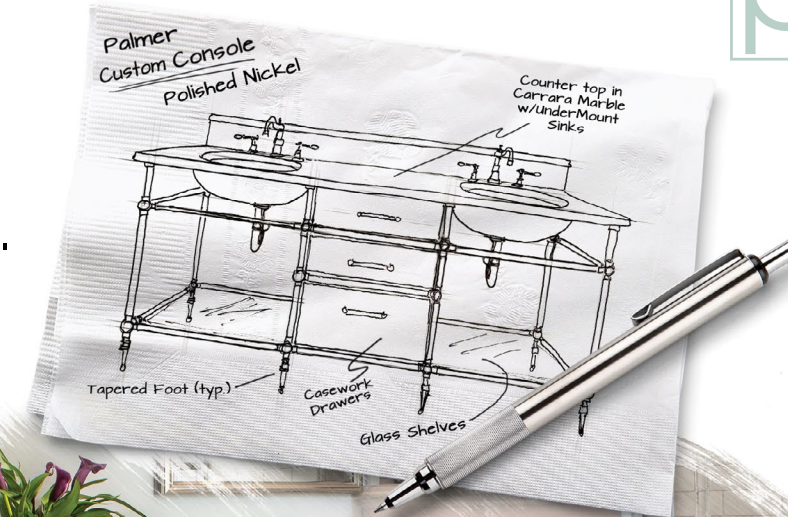


R-122224
R-122224

Palmer is a Boutique Designer & Manufacturer



If You Can Dream It,
Palmer Can Build It...



Tapered Foot

From your inspiration to the final polishing touch, Palmer's dedicated team of engineers and artisans can take your project from conception to completion.

Provide us with your simple sketch, magazine clipping, or concept images from social media, and Palmer will quickly propose a solution to accommodate your design intent.

Table of Contents

Styles

<i>Classic Collection</i>		
T	Tapered Foot	12
C	Decorative Collar	13
BL	Ball Foot	14
B	Bun Foot	15
<i>Traditional Collection</i>		
E	Essex	16
W	Westport	17
CAP	Capital	18
K	Kingston	19
V	Victorian	20
P	Providence	21
REN	Renaissance	22
PREN	Petite Renaissance	23
N	Newport	24
BAY	Bayonne	25
FR	Franklin	25
EM	Embry	26
SH	Soho	27
<i>Modern Collection</i>		
S	Studio	28
M	Minimal	29
MET	Metro	30
MOD	Modern	31
SQ	Square	32
L	Linear	33
J	Jamestown	34
BR	Bristol	35
<i>Wall Mount Collection</i>		
REG	Regency	36
A	Apex	37
SG	Signature	38

Finishes, Options & Accessories

Finishes & Materials	40
Shelving & Supports	42
Options & Accessories	44

Appendices

Policies & Procedures	46
China Sinks	48
Anatomy of a Leg System	50
Tubing Diameter Reference	51

Palmer specializes in meeting your custom design needs: any style, any size, any configuration, and any finish...

Flexible Design... Rigid Assembly...

Palmer offers unlimited design flexibility to create exactly the style and configuration of console you prefer, while never compromising the engineering details that ultimately produce a sound and rigid assembly.

Our internal "unseen" components are just as impressive in their function as our external decorative fittings are in their form.

Components such as custom-designed reinforcing plugs and nuts, tubing connectors, and heavy-duty machine fasteners (never "sheet-metal" screws), are all chosen in appropriate metals such as stainless steel and tempered aluminum, and are carefully integrated to produce a seamless, rigid, and lasting console.



Table of Contents

Styles

<i>Classic Collection</i>	
T Tapered Foot	12
C Decorative Collar	13
BL Ball Foot	14
B Bun Foot	15
<i>Traditional Collection</i>	
E Essex	16
W Westport	17
CAP Capital	18
K Kingston	19
V Victorian	20
P Providence	21
REN Renaissance	22
PREN Petite Renaissance	23
N Newport	24
BAY Bayonne	25
FR Franklin	25
EM Embry	26
SH Soho	27
<i>Modern Collection</i>	
S Studio	28
M Minimal	29
MET Metro	30
MOD Modern	31
SQ Square	32
L Linear	33
J Jamestown	34
BR Bristol	35
<i>Wall Mount Collection</i>	
REG Regency	36
A Apex	37
SG Signature	38

Finishes, Options & Accessories

Finishes & Materials	40
Shelving & Supports	42
Options & Accessories	44

Appendices

Policies & Procedures	46
China Sinks	48
Anatomy of a Leg System	50
Tubing Diameter Reference	51

STYLES

a gallery of images



photo: Douglas Friedman

Renaissance



index to a gallery of images



R-122224

R-122224

Classic Collection

- T** Tapered Foot 12
- C** Decorative Collar 13
- BL** Ball Foot 14
- B** Bun Foot 15

Traditional Collection

- E** Essex 16
- W** Westport 17
- CAP** Capital 18
- K** Kingston 19
- V** Victorian 20
- P** Providence 21
- REN** Renaissance 22
- PREN** Petite Ren 23
- N** Newport 24
- BAY** Bayonne 25
- FR** Franklin 25
- EM** Embry 26
- SH** Soho 27

Modern Collection

- S** Studio 28
- M** Minimal 29
- MET** Metro 30
- MOD** Modern 31
- SQ** Square 32
- L** Linear 33
- J** Jamestown 34
- BR** Bristol 35

Wall Mount Collection

- REG** Regency 36
- A** Apex 37
- SG** Signature 38



Table of Contents

Styles

Classic Collection

T Tapered Foot	12
C Decorative Collar	13
BL Ball Foot	14
B Bun Foot	15

Traditional Collection

E Essex	16
W Westport	17
CAP Capital	18
K Kingston	19
V Victorian	20
P Providence	21
REN Renaissance	22
PREN Petite Renaissance	23
N Newport	24
BAY Bayonne	25
FR Franklin	25
EM Embry	26
SH Soho	27

Modern Collection

S Studio	28
M Minimal	29
MET Metro	30
MOD Modern	31
SQ Square	32
L Linear	33
J Jamestown	34
BR Bristol	35

Wall Mount Collection

REG Regency	36
A Apex	37
SG Signature	38

Finishes, Options & Accessories

Finishes & Materials	40
Shelving & Supports	42
Options & Accessories	44

Appendices

Policies & Procedures	46
China Sinks	48
Anatomy of a Leg System	50
Tubing Diameter Reference	51



TAPERED FOOT

T

The *Tapered Foot* console, with its classic foot detail and distinctive ball corner joints, remains Palmer's most popular style.



LS21T with MTI Modern counter

available in 1½" diameter and 1" diameter tubing

LS2T



R-122224

R-122224



DECORATIVE COLLAR

C

The crisply machined decorative collars, positioned below the corner joints and used as feet, define the *Decorative Collar* style.



LS5C + TS5 + SS5R + TRL + TRR

shown above with optional hotel style shelf, rail shelf supports, and auxiliary towel rails

available in 1½" diameter and 1" diameter tubing

LS2C

Styles

<i>Classic Collection</i>	
T Tapered Foot	12
C Decorative Collar	13
BL Ball Foot	14
B Bun Foot	15
<i>Traditional Collection</i>	
E Essex	16
W Westport	17
CAP Capital	18
K Kingston	19
V Victorian	20
P Providence	21
REN Renaissance	22
PREN Petite Renaissance	23
N Newport	24
BAY Bayonne	25
FR Franklin	25
EM Embry	26
SH Soho	27
<i>Modern Collection</i>	
S Studio	28
M Minimal	29
MET Metro	30
MOD Modern	31
SQ Square	32
L Linear	33
J Jamestown	34
BR Bristol	35
<i>Wall Mount Collection</i>	
REG Regency	36
A Apex	37
SG Signature	38

Finishes, Options & Accessories

Finishes & Materials	40
Shelving & Supports	42
Options & Accessories	44

Appendices

Policies & Procedures	46
China Sinks	48
Anatomy of a Leg System	50
Tubing Diameter Reference	51



BALL FOOT

BL

The *Ball Foot* style features Palmer's unique ball-and-socket corner joints, with their sharp lines and visual heft, paired with perfectly matching ball feet.



LS2BL + SD

shown with split diameter option

available in 1½" diameter and 1" diameter tubing

LS2BL + SD



R-122224

R-122224



BUN FOOT

B

The bun foot has long been a classic architectural feature in fine furniture design, and Palmer's *Bun Foot* console features a robust and elegant version of this style.



LS3B + FR

shown above with Palmer custom mirror supports and optional front riser

available in 1½" diameter and 1" diameter tubing

LS2B



Styles

<i>Classic Collection</i>	
T Tapered Foot	12
C Decorative Collar	13
BL Ball Foot	14
B Bun Foot	15
<i>Traditional Collection</i>	
E Essex	16
W Westport	17
CAP Capital	18
K Kingston	19
V Victorian	20
P Providence	21
REN Renaissance	22
PREN Petite Renaissance	23
N Newport	24
BAY Bayonne	25
FR Franklin	25
EM Embry	26
SH Soho	27
<i>Modern Collection</i>	
S Studio	28
M Minimal	29
MET Metro	30
MOD Modern	31
SQ Square	32
L Linear	33
J Jamestown	34
BR Bristol	35
<i>Wall Mount Collection</i>	
REG Regency	36
A Apex	37
SG Signature	38

Finishes, Options & Accessories

Finishes & Materials	40
Shelving & Supports	42
Options & Accessories	44

Appendices

Policies & Procedures	46
China Sinks	48
Anatomy of a Leg System	50
Tubing Diameter Reference	51



ESSEX

E

The *Essex* features a refined tapered leg paired with a slender foot and perfectly coordinated fittings.



LS2E

1½" diameter legs tapering to 1" diameter at the foot

1" diameter crossbars

LS2E



R-122224

R-122224



WESTPORT

W

The *Westport* features a round head transitioning to a slender leg, with complementary fittings, and a single horizontal crossbar.



LS2W

1½" diameter head
1" diameter legs
1" diameter crossbars

LS2W

Styles

<i>Classic Collection</i>	
T Tapered Foot	12
C Decorative Collar	13
BL Ball Foot	14
B Bun Foot	15
<i>Traditional Collection</i>	
E Essex	16
W Westport	17
CAP Capital	18
K Kingston	19
V Victorian	20
P Providence	21
REN Renaissance	22
PREN Petite Renaissance	23
N Newport	24
BAY Bayonne	25
FR Franklin	25
EM Embry	26
SH Soho	27
<i>Modern Collection</i>	
S Studio	28
M Minimal	29
MET Metro	30
MOD Modern	31
SQ Square	32
L Linear	33
J Jamestown	34
BR Bristol	35
<i>Wall Mount Collection</i>	
REG Regency	36
A Apex	37
SG Signature	38

Finishes, Options & Accessories

Finishes & Materials	40
Shelving & Supports	42
Options & Accessories	44

Appendices

Policies & Procedures	46
China Sinks	48
Anatomy of a Leg System	50
Tubing Diameter Reference	51



CAPITAL

CAP

The *Capital* style is defined by its prominent square head, slender leg, and distinctive double horizontal crossbars.



LS2CAP

shown above with Palmer custom wall-mounted Towel Rack

1½" square head
1" diameter legs
1" diameter crossbars

LS2CAP



R-122224

R-122224



KINGSTON

K

Vintage tapered legs with decorative collars, classic ball-and-socket joints, a tapered foot, and slender crossbars all combine to create the *Kingston*.



LS2K

1½" diameter legs tapering to 1" diameter at the foot

1" diameter crossbars



LS2K

Styles

<i>Classic Collection</i>	
T Tapered Foot	12
C Decorative Collar	13
BL Ball Foot	14
B Bun Foot	15
<i>Traditional Collection</i>	
E Essex	16
W Westport	17
CAP Capital	18
K Kingston	19
V Victorian	20
P Providence	21
REN Renaissance	22
PREN Petite Renaissance	23
N Newport	24
BAY Bayonne	25
FR Franklin	25
EM Embry	26
SH Soho	27
<i>Modern Collection</i>	
S Studio	28
M Minimal	29
MET Metro	30
MOD Modern	31
SQ Square	32
L Linear	33
J Jamestown	34
BR Bristol	35
<i>Wall Mount Collection</i>	
REG Regency	36
A Apex	37
SG Signature	38

Finishes, Options & Accessories

Finishes & Materials	40
Shelving & Supports	42
Options & Accessories	44

Appendices

Policies & Procedures	46
China Sinks	48
Anatomy of a Leg System	50
Tubing Diameter Reference	51



VICTORIAN

V

The *Victorian* offers an artfully crafted and open design, featuring auxiliary towel rails and split collar shelf supports, while incorporating ample storage space below.



LS41V



LS41V

1" diameter legs
5/8" diameter towel rails
shown with stone shelf
supplied by customer



R-122224

R-122224



PROVIDENCE

P

The *Providence* model, featuring a striking square head, turned neck, and mildly tapered legs, seamlessly incorporates stone aprons (a "skirt") concealing the sink basin and hardware below the countertop.



LS2P



LS2P

2" square head
1 1/2" diameter legs tapering
to 1" diameter at the foot
stone top & aprons by others

Styles

<i>Classic Collection</i>	
T Tapered Foot	12
C Decorative Collar	13
BL Ball Foot	14
B Bun Foot	15
<i>Traditional Collection</i>	
E Essex	16
W Westport	17
CAP Capital	18
K Kingston	19
V Victorian	20
P Providence	21
REN Renaissance	22
PREN Petite Renaissance	23
N Newport	24
BAY Bayonne	25
FR Franklin	25
EM Embry	26
SH Soho	27
<i>Modern Collection</i>	
S Studio	28
M Minimal	29
MET Metro	30
MOD Modern	31
SQ Square	32
L Linear	33
J Jamestown	34
BR Bristol	35
<i>Wall Mount Collection</i>	
REG Regency	36
A Apex	37
SG Signature	38

Finishes, Options & Accessories

Finishes & Materials	40
Shelving & Supports	42
Options & Accessories	44

Appendices

Policies & Procedures	46
China Sinks	48
Anatomy of a Leg System	50
Tubing Diameter Reference	51



RENAISSANCE

REN

The *Renaissance* console, with its broadly sweeping center curve flanked by pairs of legs on either side, represents a classic and timeless architectural style.



LS41REN

shown above with a Stone Forest Renaissance sink and featuring a matching Palmer wall-mounted Towel Rack and free-standing Palmer Étagère

1" diameter legs
1" diameter crossbars

LS41REN

PETITE RENAISSANCE

PREN

The *Petite Renaissance* model is a narrower, 2 leg, diminutive version of our popular 4 leg Renaissance washstand.



LS21REN

shown above with a Stone Forest Petite-Renaissance sink

1" diameter legs
1" diameter crossbars

LS21REN

Styles

<i>Classic Collection</i>	
T Tapered Foot	12
C Decorative Collar	13
BL Ball Foot	14
B Bun Foot	15
<i>Traditional Collection</i>	
E Essex	16
W Westport	17
CAP Capital	18
K Kingston	19
V Victorian	20
P Providence	21
REN Renaissance	22
PREN Petite Renaissance	23
N Newport	24
BAY Bayonne	25
FR Franklin	25
EM Embry	26
SH Soho	27
<i>Modern Collection</i>	
S Studio	28
M Minimal	29
MET Metro	30
MOD Modern	31
SQ Square	32
L Linear	33
J Jamestown	34
BR Bristol	35
<i>Wall Mount Collection</i>	
REG Regency	36
A Apex	37
SG Signature	38

Finishes, Options & Accessories

Finishes & Materials	40
Shelving & Supports	42
Options & Accessories	44

Appendices

Policies & Procedures	46
China Sinks	48
Anatomy of a Leg System	50
Tubing Diameter Reference	51



NEWPORT

N

The *Newport* console features the combination of classic metal finishes with the rich natural beauty of tapered walnut heartwood legs and horizontal crossbars.



LS2N + HB



R-122224

R-122224



LS2N + HB

Our rich walnut heartwood is a natural product; the color tone and wood grain will vary as each piece is unique

shown with optional hammered ball fittings

1 1/2" diameter legs tapering to 1" diameter at the foot

1" diameter crossbars

combination wood & metal front crossbar

BAYONNE

BAY

The *Bayonne* console features four walnut legs and curved side-bars that complement the unique shape of the Stone Forest Bayonne top.

1 1/2" diameter legs tapering to 1" diameter at the foot

1" diameter crossbars

shown with optional hammered ball fittings



LS4BAY + HB

FRANKLIN

FR

The *Franklin* console is designed to fit this unique top shape with scalloped corners, and features four metal legs, curved side-bars, and long modern feet

1 1/2" diameter legs
1" diameter crossbars

LS4FR

Styles

<i>Classic Collection</i>	
T Tapered Foot	12
C Decorative Collar	13
BL Ball Foot	14
B Bun Foot	15
<i>Traditional Collection</i>	
E Essex	16
W Westport	17
CAP Capital	18
K Kingston	19
V Victorian	20
P Providence	21
REN Renaissance	22
PREN Petite Renaissance	23
N Newport	24
BAY Bayonne	25
FR Franklin	25
EM Embry	26
SH Soho	27
<i>Modern Collection</i>	
S Studio	28
M Minimal	29
MET Metro	30
MOD Modern	31
SQ Square	32
L Linear	33
J Jamestown	34
BR Bristol	35
<i>Wall Mount Collection</i>	
REG Regency	36
A Apex	37
SG Signature	38

Finishes, Options & Accessories

Finishes & Materials	40
Shelving & Supports	42
Options & Accessories	44

Appendices

Policies & Procedures	46
China Sinks	48
Anatomy of a Leg System	50
Tubing Diameter Reference	51



EMBRY

EM

The *Embry* makes an elegant statement with its sturdy 2" diameter head transitioning through a sculpted neck into the leg's gentle taper. The distinct contrast in diameter defines this sophisticated silhouette.



EM200



EM200

The *Embry* leg incorporates a unique leveling pin in the bottom of the foot, allowing for 3/4" of height adjustment to correct any out-of-level floor condition.

2" diameter head with tapered legs



R-011224

R-011224

SOHO

SH

In an inspired, but radical, departure from our modular, tube & connector style vanity leg systems, Palmer introduces the curvaceous *Soho* precision-machined solid brass leg.



SH200



SH200

This elegant 33" tall leg flows from its widest embellishment at 2-3/4" diameter undulating gracefully down to a 5/8" ankle above a stylish foot.

Styles

<i>Classic Collection</i>	
T Tapered Foot	12
C Decorative Collar	13
BL Ball Foot	14
B Bun Foot	15
<i>Traditional Collection</i>	
E Essex	16
W Westport	17
CAP Capital	18
K Kingston	19
V Victorian	20
P Providence	21
REN Renaissance	22
PREN Petite Renaissance	23
N Newport	24
BAY Bayonne	25
FR Franklin	25
EM Embry	26
SH Soho	27
<i>Modern Collection</i>	
S Studio	28
M Minimal	29
MET Metro	30
MOD Modern	31
SQ Square	32
L Linear	33
J Jamestown	34
BR Bristol	35
<i>Wall Mount Collection</i>	
REG Regency	36
A Apex	37
SG Signature	38

Finishes, Options & Accessories

Finishes & Materials	40
Shelving & Supports	42
Options & Accessories	44

Appendices

Policies & Procedures	46
China Sinks	48
Anatomy of a Leg System	50
Tubing Diameter Reference	51



STUDIO

S

The *Studio* console elevates modern industrial utility to a state of luxurious design with its sharp refined lines, and understated fittings.



LS2SNR with Catalano Zero 100 sink

available in:
1 1/2" diameter tubing
1" diameter tubing
3/4" diameter tubing

LS2SNR



R-122224

R-122224

MINIMAL

M

The *Minimal* model, with its unadorned tapered legs and clean fittings, affords a sleek and fashionable sense for today's modern minimalistic bathrooms.



LS2M with Duravit DuraStyle sink

1 1/2" diameter legs tapering to 1" diameter at the foot
1" diameter crossbars

LS2M

Styles

<i>Classic Collection</i>	
T Tapered Foot	12
C Decorative Collar	13
BL Ball Foot	14
B Bun Foot	15
<i>Traditional Collection</i>	
E Essex	16
W Westport	17
CAP Capital	18
K Kingston	19
V Victorian	20
P Providence	21
REN Renaissance	22
PREN Petite Renaissance	23
N Newport	24
BAY Bayonne	25
FR Franklin	25
EM Embry	26
SH Soho	27
<i>Modern Collection</i>	
S Studio	28
M Minimal	29
MET Metro	30
MOD Modern	31
SQ Square	32
L Linear	33
J Jamestown	34
BR Bristol	35
<i>Wall Mount Collection</i>	
REG Regency	36
A Apex	37
SG Signature	38

Finishes, Options & Accessories

Finishes & Materials	40
Shelving & Supports	42
Options & Accessories	44

Appendices

Policies & Procedures	46
China Sinks	48
Anatomy of a Leg System	50
Tubing Diameter Reference	51



METRO

MET

The *Metro* console offers clean uninterrupted lines and simple styling, in a diminutive scale well suited to smaller spaces.



LS21MET + TS2 + SS2LP

LS21MET + TS2 + SS2LP with Duravit Vero sink

shown with optional hotel style shelf and low profile shelf supports

available in 1" diameter legs with 5/8" diameter offset crossbars (as shown), and also 1 1/2" diameter legs with 1" diameter offset crossbars



R-122224

R-122224

MODERN

MOD

Inspired by Danish Modern design, the *Modern* console features a long sleek foot, smooth contours, and simple geometric patterns.



LS2MOD

1 1/2" diameter legs
1" diameter crossbars



LS2MOD

Styles

Classic Collection

T Tapered Foot	12
C Decorative Collar	13
BL Ball Foot	14
B Bun Foot	15

Traditional Collection

E Essex	16
W Westport	17
CAP Capital	18
K Kingston	19
V Victorian	20
P Providence	21
REN Renaissance	22
PREN Petite Renaissance	23
N Newport	24
BAY Bayonne	25
FR Franklin	25
EM Embry	26
SH Soho	27

Modern Collection

S Studio	28
M Minimal	29
MET Metro	30
MOD Modern	31
SQ Square	32
L Linear	33
J Jamestown	34
BR Bristol	35

Wall Mount Collection

REG Regency	36
A Apex	37
SG Signature	38

Finishes, Options & Accessories

Finishes & Materials	40
Shelving & Supports	42
Options & Accessories	44

Appendices

Policies & Procedures	46
China Sinks	48
Anatomy of a Leg System	50
Tubing Diameter Reference	51



SQUARE

SQ

The contemporary *Square* model is defined by its strong horizontal and vertical lines created by the crisp-edge square tubing, and punctuated by complementary stylish square fittings.



LS2SQ with Duravit Vero sink

1 1/2" square legs
1" square crossbars

LS2SQ



R-122224

R-122224



LINEAR

L

The integration of the strong rectilinear lines of square tubing with concealed flush joinery creates the cutting edge look and appeal of the *Linear* console.



LS41L + GS4

1" square legs
1" square crossbars

shown with custom fabricated marble top and optional glass shelf

LS41L + GS4

Styles

<i>Classic Collection</i>	
T Tapered Foot	12
C Decorative Collar	13
BL Ball Foot	14
B Bun Foot	15
<i>Traditional Collection</i>	
E Essex	16
W Westport	17
CAP Capital	18
K Kingston	19
V Victorian	20
P Providence	21
REN Renaissance	22
PREN Petite Renaissance	23
N Newport	24
BAY Bayonne	25
FR Franklin	25
EM Embry	26
SH Soho	27
<i>Modern Collection</i>	
S Studio	28
M Minimal	29
MET Metro	30
MOD Modern	31
SQ Square	32
L Linear	33
J Jamestown	34
BR Bristol	35
<i>Wall Mount Collection</i>	
REG Regency	36
A Apex	37
SG Signature	38

Finishes, Options & Accessories

Finishes & Materials	40
Shelving & Supports	42
Options & Accessories	44

Appendices

Policies & Procedures	46
China Sinks	48
Anatomy of a Leg System	50
Tubing Diameter Reference	51



JAMESTOWN

J

The smooth refined lines of the Danish Modern foot and a gracefully curved crossbar define the *Jamestown* style, and achieve a tasteful blending of traditional form with modern appeal.



LS2J + WS2 + SS2LP

1 1/2" diameter legs
1" diameter crossbars

shown at left with Stone Forest Harbor sink, optional Teak wood shelf, & low profile shelf supports



LS2J + GS2 + SS2C-G



R-122224

R-122224



BRISTOL

BR

Featuring precisely tapered legs, rectangular metal aprons, and hexagonal details, the *Bristol* style expresses a clean blend of modern design and industrial chic.



LS2BR

shown at right with optional glass shelf, & clip shelf supports

1 1/2" diameter legs tapering to 1" diameter at the foot



LS2BR + GS2 + SS2C-G

Styles

<i>Classic Collection</i>	
T Tapered Foot	12
C Decorative Collar	13
BL Ball Foot	14
B Bun Foot	15
<i>Traditional Collection</i>	
E Essex	16
W Westport	17
CAP Capital	18
K Kingston	19
V Victorian	20
P Providence	21
REN Renaissance	22
PREN Petite Renaissance	23
N Newport	24
BAY Bayonne	25
FR Franklin	25
EM Embry	26
SH Soho	27
<i>Modern Collection</i>	
S Studio	28
M Minimal	29
MET Metro	30
MOD Modern	31
SQ Square	32
L Linear	33
J Jamestown	34
BR Bristol	35
<i>Wall Mount Collection</i>	
REG Regency	36
A Apex	37
SG Signature	38

Finishes, Options & Accessories

Finishes & Materials	40
Shelving & Supports	42
Options & Accessories	44

Appendices

Policies & Procedures	46
China Sinks	48
Anatomy of a Leg System	50
Tubing Diameter Reference	51



REGENCY

REG

The *Regency* model, with its soft curves and masculine flair, offers a wall-hung vanity option for applications when a leg system is not practical, or a raised architectural concept is preferred.



WMREG



WMREG

1" diameter crossbar

shown with Stone Forest Petite Renaissance sink



R-122224

R-122224



APEX

A

Featuring minimal exposed metalwork and a structurally sound geometric form, the *Apex* offers a space-saving and simple wall-hung approach to vanity installations.

The *Apex* style is available with decorative collars as shown at right, or without collars as shown below.



WMAC



WMA

1" diameter tubing

shown with Stone Forest Vintage 27 sink

Styles

<i>Classic Collection</i>	
T Tapered Foot	12
C Decorative Collar	13
BL Ball Foot	14
B Bun Foot	15
<i>Traditional Collection</i>	
E Essex	16
W Westport	17
CAP Capital	18
K Kingston	19
V Victorian	20
P Providence	21
REN Renaissance	22
PREN Petite Renaissance	23
N Newport	24
BAY Bayonne	25
FR Franklin	25
EM Embry	26
SH Soho	27
<i>Modern Collection</i>	
S Studio	28
M Minimal	29
MET Metro	30
MOD Modern	31
SQ Square	32
L Linear	33
J Jamestown	34
BR Bristol	35
<i>Wall Mount Collection</i>	
REG Regency	36
A Apex	37
SG Signature	38

Finishes, Options & Accessories

Finishes & Materials	40
Shelving & Supports	42
Options & Accessories	44

Appendices

Policies & Procedures	46
China Sinks	48
Anatomy of a Leg System	50
Tubing Diameter Reference	51



SIGNATURE

SG

The *Signature* Wall Mount offers a simple yet refined solution to supporting wall-hung vanities, featuring Palmer's machined ball-and-socket details.



WMSG with Duravit Vero sink

1" diameter tubing



R-122224

R-122224



photo: Eric Roth

Bun Foot

Table of Contents

Styles

<i>Classic Collection</i>		
T	Tapered Foot	12
C	Decorative Collar	13
BL	Ball Foot	14
B	Bun Foot	15
<i>Traditional Collection</i>		
E	Essex	16
W	Westport	17
CAP	Capital	18
K	Kingston	19
V	Victorian	20
P	Providence	21
REN	Renaissance	22
PREN	Petite Renaissance	23
N	Newport	24
BAY	Bayonne	25
FR	Franklin	25
EM	Embry	26
SH	Soho	27
<i>Modern Collection</i>		
S	Studio	28
M	Minimal	29
MET	Metro	30
MOD	Modern	31
SQ	Square	32
L	Linear	33
J	Jamestown	34
BR	Bristol	35
<i>Wall Mount Collection</i>		
REG	Regency	36
A	Apex	37
SG	Signature	38

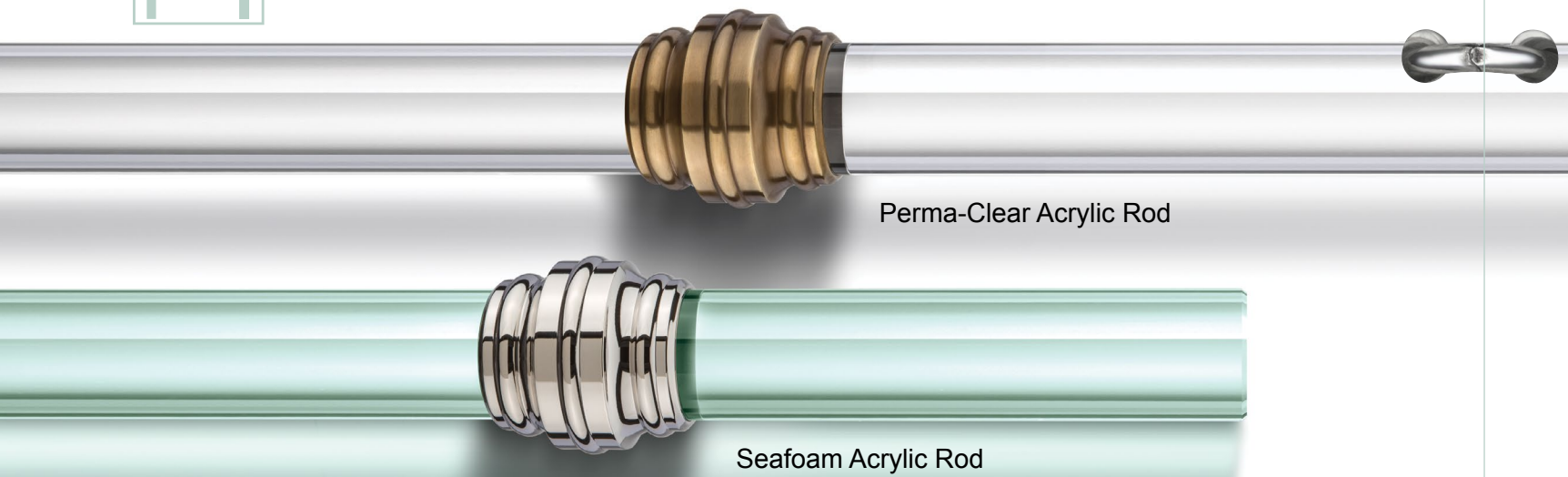
Finishes, Options & Accessories

Finishes & Materials	40
Shelving & Supports	42
Options & Accessories	44

Appendices

Policies & Procedures	46
China Sinks	48
Anatomy of a Leg System	50
Tubing Diameter Reference	51

PALMER
WE DO ALL THE LEG WORK FOR YOU



Perma-Clear Acrylic Rod

Seafoam Acrylic Rod



The Polished Look of Palmer Perfection



Reeded Tubing 1 1/2" Diameter



Reeded Tubing 1" Diameter

The Palmer Palette includes a rich range of luxurious and durable platings, PVD finishes, and hand-rubbed "living finish" patinas. With the addition of clear and colored acrylic rods, reeded tubing, and our many functional accessories, your design choices are virtually unlimited...

* Contact Palmer for pricing and delivery of Premium PVD and custom finishes.

Polished Chrome

Polished Nickel

Satin Nickel

Aged Nickel Un-Lacquered

Polished Brass Un-Lacquered or PVD*

Satin Brass PVD*

Satin Brass Lacquered

Polished Gold PVD*

Satin Gold PVD*

Aged Brass Un-Lacquered

Oil Rubbed Bronze

Semi-Matte Black Coating



Styles

Classic Collection

T Tapered Foot	12
C Decorative Collar	13
BL Ball Foot	14
B Bun Foot	15

Traditional Collection

E Essex	16
W Westport	17
CAP Capital	18
K Kingston	19
V Victorian	20
P Providence	21
REN Renaissance	22
PREN Petite Renaissance	23
N Newport	24
BAY Bayonne	25
FR Franklin	25
EM Embry	26
SH Soho	27

Modern Collection

S Studio	28
M Minimal	29
MET Metro	30
MOD Modern	31
SQ Square	32
L Linear	33
J Jamestown	34
BR Bristol	35

Wall Mount Collection

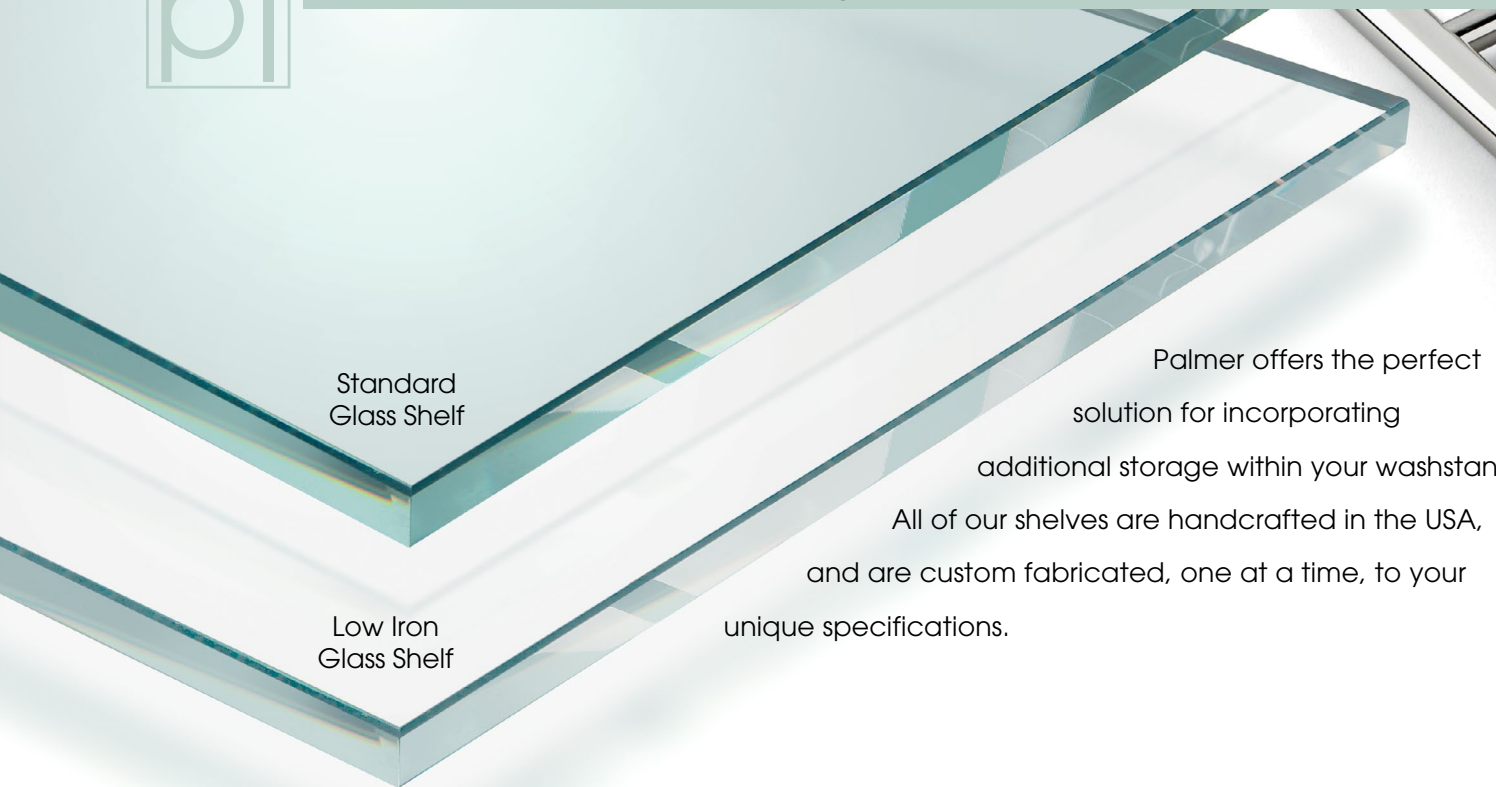
REG Regency	36
A Apex	37
SG Signature	38

Finishes, Options & Accessories

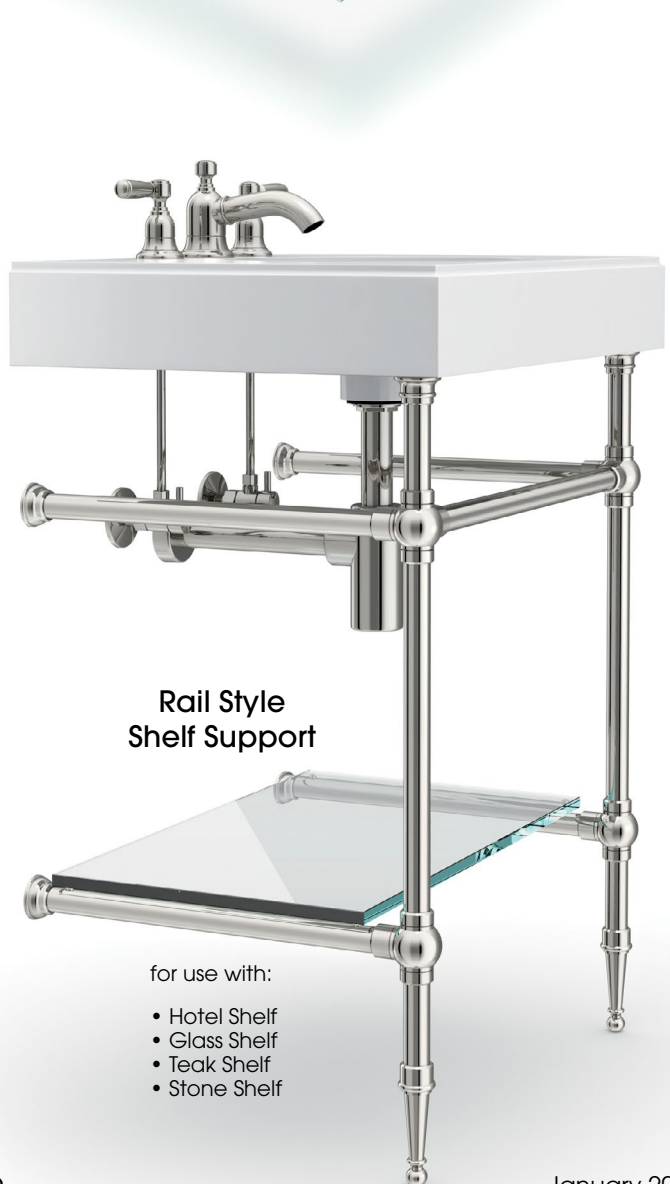
Finishes & Materials	40
Shelving & Supports	42
Options & Accessories	44

Appendices

Policies & Procedures	46
China Sinks	48
Anatomy of a Leg System	50
Tubing Diameter Reference	51



Palmer offers the perfect solution for incorporating additional storage within your washstand. All of our shelves are handcrafted in the USA, and are custom fabricated, one at a time, to your unique specifications.



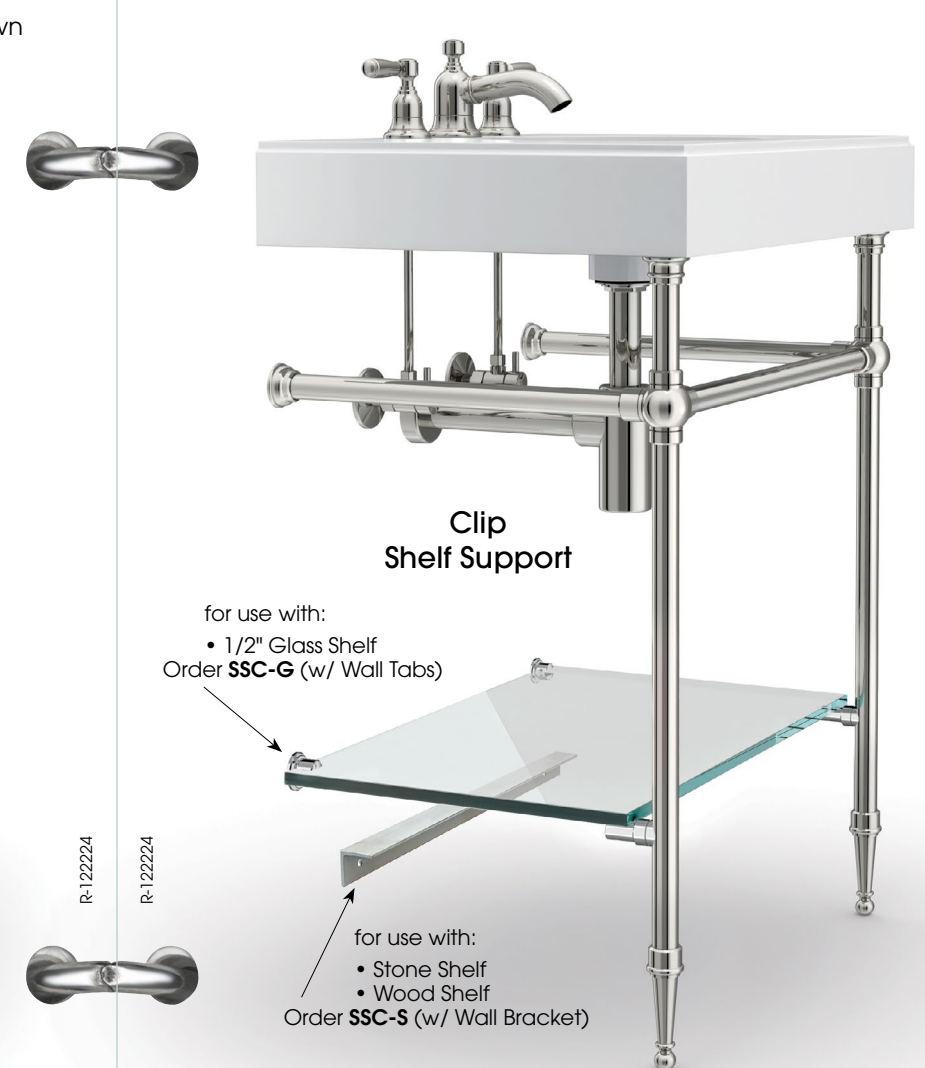
Rail Style Shelf Support

- for use with:
- Hotel Shelf
 - Glass Shelf
 - Teak Shelf
 - Stone Shelf



Low Profile Shelf Support

- for use with:
- Hotel Shelf
 - Glass Shelf
 - Teak Shelf
 - Stone Shelf



Clip Shelf Support

- for use with:
- 1/2" Glass Shelf
- Order **SSC-G** (w/ Wall Tabs)

- for use with:
- Stone Shelf
 - Wood Shelf
- Order **SSC-S** (w/ Wall Bracket)



Split Collar Shelf Support

- for use with:
- Stone Shelf
 - Wood Shelf

stone shelf provided by others

Palmer Industries has engineered four unique shelf support systems to meet your shelving needs.

Styles

Classic Collection

- T** Tapered Foot 12
- C** Decorative Collar 13
- BL** Ball Foot 14
- B** Bun Foot 15

Traditional Collection

- E** Essex 16
- W** Westport 17
- CAP** Capital 18
- K** Kingston 19
- V** Victorian 20
- P** Providence 21
- REN** Renaissance 22
- PREN** Petite Renaissance 23
- N** Newport 24
- BAY** Bayonne 25
- FR** Franklin 25
- EM** Embry 26
- SH** Soho 27

Modern Collection

- S** Studio 28
- M** Minimal 29
- MET** Metro 30
- MOD** Modern 31
- SQ** Square 32
- L** Linear 33
- J** Jamestown 34
- BR** Bristol 35

Wall Mount Collection

- REG** Regency 36
- A** Apex 37
- SG** Signature 38

Finishes, Options & Accessories

- Finishes & Materials 40
- Shelving & Supports 42
- Options & Accessories 44

Appendices

- Policies & Procedures 46
- China Sinks 48
- Anatomy of a Leg System 50
- Tubing Diameter Reference 51



Styles

Classic Collection

T Tapered Foot	12
C Decorative Collar	13
BL Ball Foot	14
B Bun Foot	15

Traditional Collection

E Essex	16
W Westport	17
CAP Capital	18
K Kingston	19
V Victorian	20
P Providence	21
REN Renaissance	22
PREN Petite Renaissance	23
N Newport	24
BAY Bayonne	25
FR Franklin	25
EM Embry	26
SH Soho	27

Modern Collection

S Studio	28
M Minimal	29
MET Metro	30
MOD Modern	31
SQ Square	32
L Linear	33
J Jamestown	34
BR Bristol	35

Wall Mount Collection

REG Regency	36
A Apex	37
SG Signature	38

Finishes, Options & Accessories

Finishes & Materials	40
Shelving & Supports	42
Options & Accessories	44

Appendices

Policies & Procedures	46
China Sinks	48
Anatomy of a Leg System	50
Tubing Diameter Reference	51

Solid Acrylic Rod

Solid Brass Wall Bracket finished to match legs

Auxiliary Towel Rail

Palmer Custom Mirror Supports

Front Riser

Toilet Paper Holder

Hammered Ball Fitting

Curved Crossbar

R-122224
R-122224

1½" Diameter

Split Diameter Tubing

1" Diameter



- Purchasing Policy:** Palmer is sold only through authorized Palmer distributors (dealer display requirements apply). Possession of this catalog does not constitute an authorization to sell Palmer products. Dealer discount is based on displays, timely payments, and sales volume. Dealers must maintain display requirements to keep their status as a displaying dealer.
- Terms:** Net 30 days upon established credit approval. Payment by business check or ACH via our website portal. Credit card payments and wire transfers may be allowed (Palmer must authorize), and will incur processing fees. The dealer is responsible for ensuring payments are properly made and received. Pre-Paid Orders must be paid in full prior to shipping. Any delays in payment may be subject to storage and/or late fees.
- Minimum order:** There is no minimum order requirement.
- Delivery and Freight:** Palmer reserves the right to select the final carrier of any shipment. Palmer ships via UPS with our own account (freight prepaid), and will invoice the dealer for all shipping costs, without exception. We do not ship using a dealer's UPS account, or any other shipping method. Each leg system is packaged individually, regardless of total order quantity (unless otherwise specified on high-volume projects). A delivery charge will be assessed to each leg system, and shall consist of the total of all packaging, boxing, standard ground UPS shipping costs, and insurance. There is no pickup available. Drop-Ship orders will incur additional shipping costs, and a signature will be required at the time of delivery.
- Claims and Returns:** Any claims for damages, shortages, and incorrect merchandise must be reported to Palmer within 10 days of delivery. Please confirm all washstand specifications and dimensions prior to installation. Palmer is not responsible for labor associated with the replacement of incorrect product.

All Palmer products are fabricated to order, and as such, are NON-RETURNABLE and NON-CANCELABLE under any conditions. Palmer Drawing and Design fees are NON-CANCELABLE and NON-REFUNDABLE.

Any orders that cannot be shipped within 30 days from completion may be considered abandoned.
- Warranty:** Palmer warrants the leg system against any mechanical failure of parts for three years when properly installed and used for the intended purpose only. This warranty covers parts only; labor and shipping costs are not included. Polished Chrome, Polished and Satin Nickel, and PVD finishes carry a one-year warranty. All other finishes are not warrantied. Palmer custom and living finishes are hand applied, and as such, are subject to natural variations in color and texture consistent with related products in the market. Different components, such as tubing and fittings, are likely to have slightly different color tone due to their unique metal composition and the high degree of hand craftsmanship involved with the finishing process. Our legs are superbly finished, but they are not jewelry. When "defects" occur, they should be viewed at approximately the same angle and distance that you would view the washstand when installed: i.e., the leg is on the floor and you are standing. If the defect is visible at that vantage point, it may be considered a legitimate reject; if not, it is considered to be within industry standards for bathroom furniture. The same standards would not apply to a faucet, for example, since it is viewed at eye level and must be "perfect".



R-122224

R-122224

- Internet Selling Policy:** Palmer does not allow the selling of our products via the Internet. Palmer products are to be marketed and sold within the dealer's service area only. If Palmer products are presented on a dealer's website, images and associated copy used must satisfy our specific guidelines. Palmer must be contacted for approval prior to any images or information being posted on a dealer's website.
- M.A.P. Policy:** Advertised prices of products may not appear at a discount of greater than twenty-five percent (25%) below Palmer's current retail price. For repeated violations, Palmer may suspend or terminate the Reseller's authorization to sell Palmer products. It is our view that the advertising of steep price discounts devalues our products, brand, and dealers.
- Rush Service:** Palmer offers an expedited production service to our dealers, at an additional charge. This charge will be assessed upon evaluation of the order complexity, customization, quantity, options, and finish. Rush service and charges must be indicated on the dealer's purchase order, and a Palmer Order Form, with the Rush option selected, must be submitted with the order. Expedited shipping is also available at an additional fee on request.
- Drawing/Design Services:** Palmer offers complete drawing and design services for custom units. (All our standard model specifications and drawings can be found on our website.) A drawing/design fee will be assessed upon evaluation of the project and the requirements of the specifier. Drawings can be provided in PDF or DXF format. Drawings and subsequent signed drawing approvals are mandatory for any projects falling outside our standard product offering (style and configuration). Drawing and design fees are NON-CANCELABLE and NON-REFUNDABLE.
- Ordering Procedure:** A Palmer Order Form must be submitted with every custom-size order, Rush order, orders with any options or modifications, and orders including any Palmer shelf. The submittal of the Order Form is mandatory, and will expedite the processing of the order. Incomplete order forms will delay the ordering process.
- Disclaimer:** The information contained within this catalog is intended to provide information about products and services available for purchase from Palmer Industries, Inc. ("Palmer"). All reasonable efforts have been made to ensure the accuracy of the information provided herein. Palmer does not warrant the accuracy of the information contained herein and reserves the right to make changes to this catalog at any time without notice.

Except where otherwise noted or superseded by process of law, Palmer accepts no responsibility or liability for any losses or damages of any kind arising out of the use of this catalog or any of its related functions.

This catalog is offered on the basis of the terms and conditions stated herein. Use of the online catalog confirms the user's acceptance of these same terms and conditions.

The copyright of all content of this catalog is owned by Palmer Industries, Inc. No part of the Palmer catalog may be changed, reproduced, stored in or transmitted on any website or medium without the prior written permission of Palmer. Requests to republish any material must be sent to info@palmerindustries.com.

Styles

Classic Collection

T Tapered Foot	12
C Decorative Collar	13
BL Ball Foot	14
B Bun Foot	15

Traditional Collection

E Essex	16
W Westport	17
CAP Capital	18
K Kingston	19
V Victorian	20
P Providence	21
REN Renaissance	22
PREN Petite Renaissance	23
N Newport	24
BAY Bayonne	25
FR Franklin	25
EM Embry	26
SH Soho	27

Modern Collection

S Studio	28
M Minimal	29
MET Metro	30
MOD Modern	31
SQ Square	32
L Linear	33
J Jamestown	34
BR Bristol	35

Wall Mount Collection

REG Regency	36
A Apex	37
SG Signature	38

Finishes, Options & Accessories

Finishes & Materials	40
Shelving & Supports	42
Options & Accessories	44

Appendices

Policies & Procedures	46
China Sinks	48
Anatomy of a Leg System	50
Tubing Diameter Reference	51



Palmer washstands are the natural choice for supporting china or porcelain sinks...the perfect marriage.

Palmer leg systems can be sized to accommodate almost any choice of china sink.

Sizing a stand to properly fit a china sink can be accomplished three ways:

1. Choose a china sink from our online database located on our website Resources page at sinklegs.com/sinks. This database represents a current listing of sinks that Palmer has evaluated. Palmer will build the stand to fit the sink exactly.
2. Drop-ship the sink directly to Palmer for proper sizing evaluation. Palmer will then take all the appropriate measurements, and determine a washstand size that fits the sink perfectly. Please contact palmer for shipping arrangements.
3. Order the washstand larger than required with the intention of cutting the leg system on-site to fit the sink. Note: shelves cannot be field cut.



Minimal with Duravit DuraStyle sink



R-122224
R-122224



Styles

Classic Collection

T Tapered Foot	12
C Decorative Collar	13
BL Ball Foot	14
B Bun Foot	15

Traditional Collection

E Essex	16
W Westport	17
CAP Capital	18
K Kingston	19
V Victorian	20
P Providence	21
REN Renaissance	22
PREN Petite Renaissance	23
N Newport	24
BAY Bayonne	25
FR Franklin	25
EM Embry	26
SH Soho	27

Modern Collection

S Studio	28
M Minimal	29
MET Metro	30
MOD Modern	31
SQ Square	32
L Linear	33
J Jamestown	34
BR Bristol	35

Wall Mount Collection

REG Regency	36
A Apex	37
SG Signature	38

Finishes, Options & Accessories

Finishes & Materials	40
Shelving & Supports	42
Options & Accessories	44

Appendices

Policies & Procedures	46
China Sinks	48
Anatomy of a Leg System	50
Tubing Diameter Reference	51



Styles

<i>Classic Collection</i>		
T	Tapered Foot	12
C	Decorative Collar	13
BL	Ball Foot	14
B	Bun Foot	15
<i>Traditional Collection</i>		
E	Essex	16
W	Westport	17
CAP	Capital	18
K	Kingston	19
V	Victorian	20
P	Providence	21
REN	Renaissance	22
PREN	Petite Renaissance	23
N	Newport	24
BAY	Bayonne	25
FR	Franklin	25
EM	Embry	26
SH	Soho	27
<i>Modern Collection</i>		
S	Studio	28
M	Minimal	29
MET	Metro	30
MOD	Modern	31
SQ	Square	32
L	Linear	33
J	Jamestown	34
BR	Bristol	35
<i>Wall Mount Collection</i>		
REG	Regency	36
A	Apex	37
SG	Signature	38

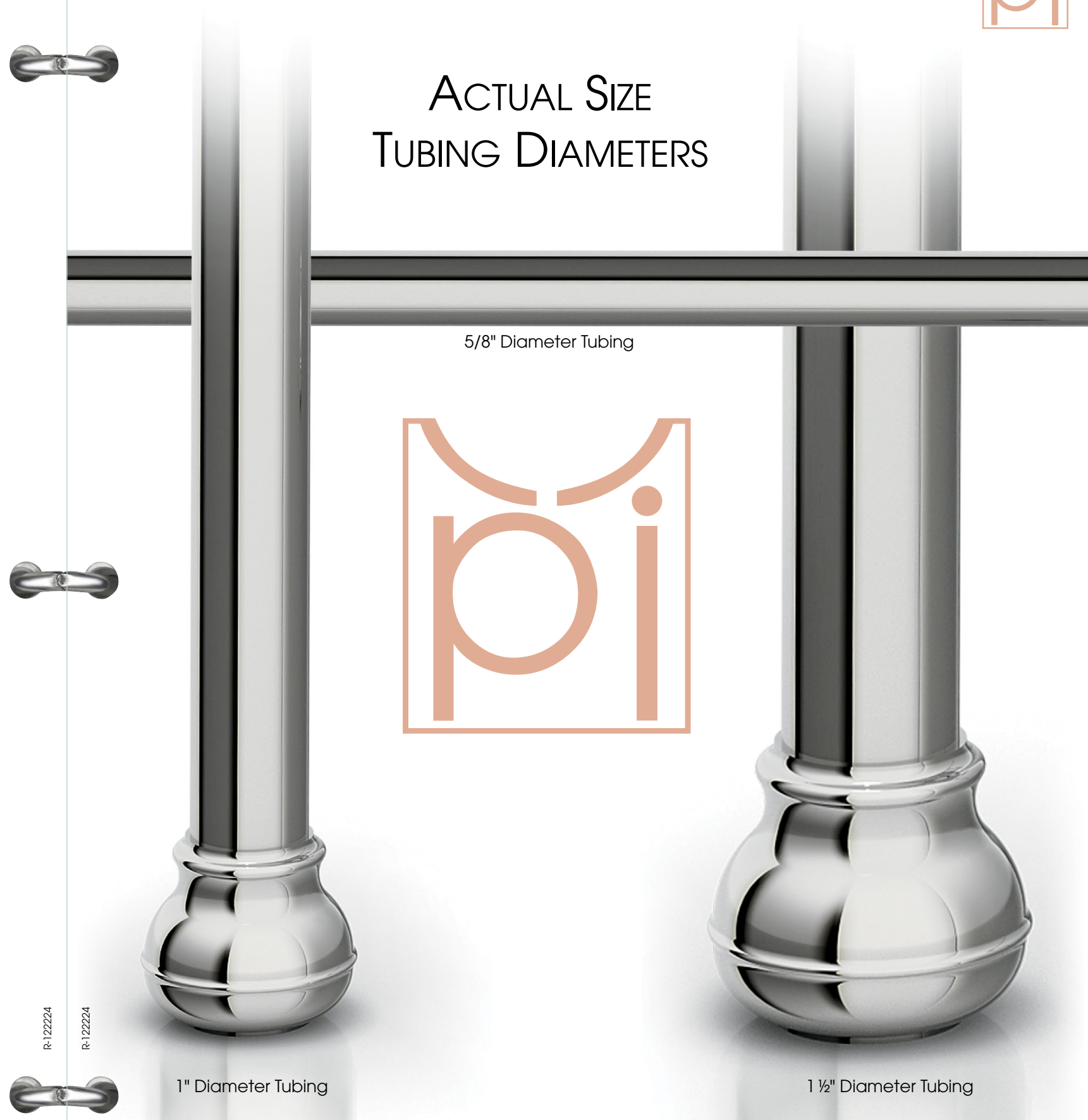
Finishes, Options & Accessories

Finishes & Materials	40
Shelving & Supports	42
Options & Accessories	44

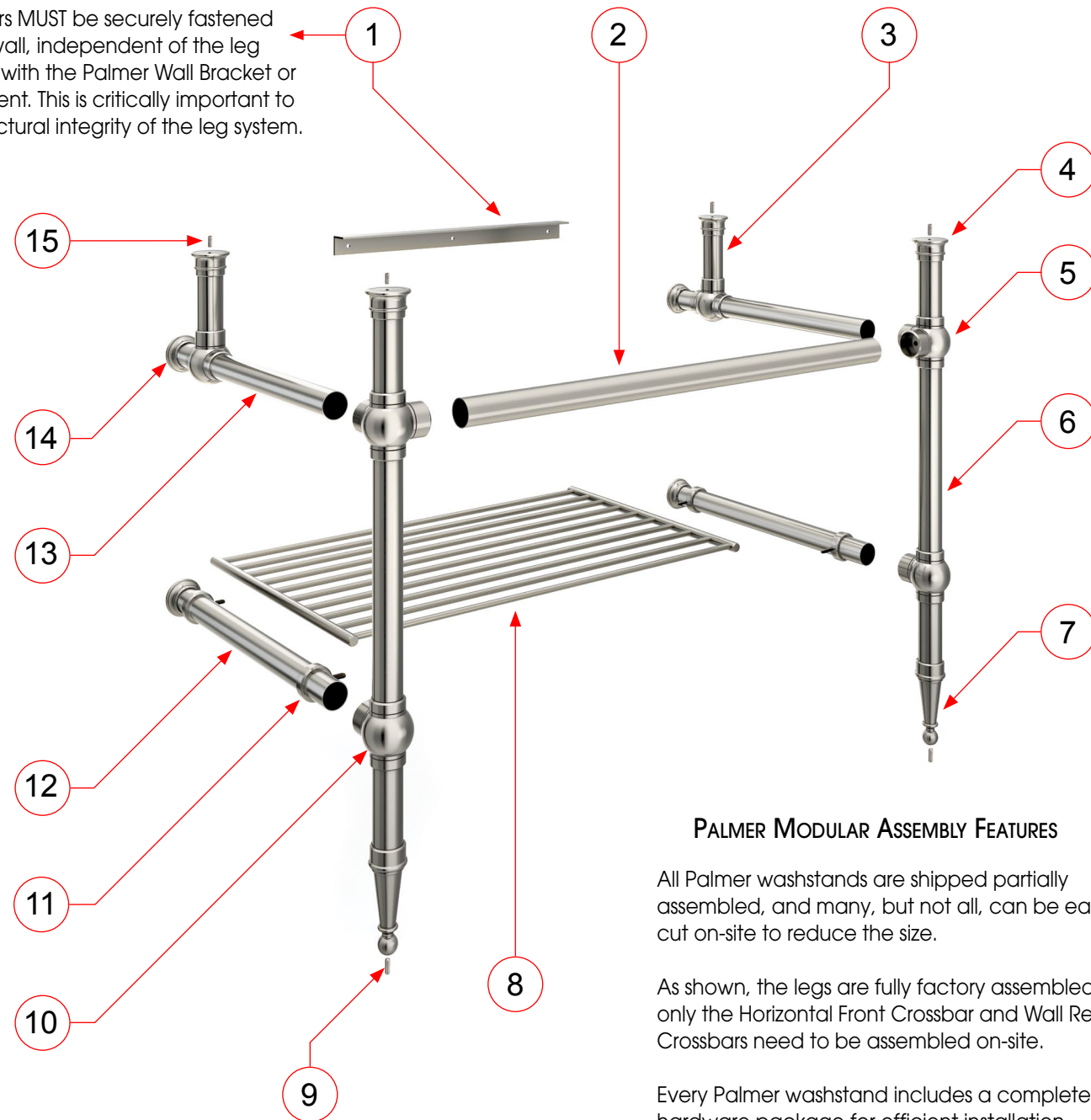
Appendices

Policies & Procedures	46
China Sinks	48
Anatomy of a Leg System	50
Tubing Diameter Reference	51

ACTUAL SIZE TUBING DIAMETERS



Counters MUST be securely fastened to the wall, independent of the leg system, with the Palmer Wall Bracket or equivalent. This is critically important to the structural integrity of the leg system.



PALMER MODULAR ASSEMBLY FEATURES

All Palmer washstands are shipped partially assembled, and many, but not all, can be easily cut on-site to reduce the size.

As shown, the legs are fully factory assembled, so only the Horizontal Front Crossbar and Wall Return Crossbars need to be assembled on-site.

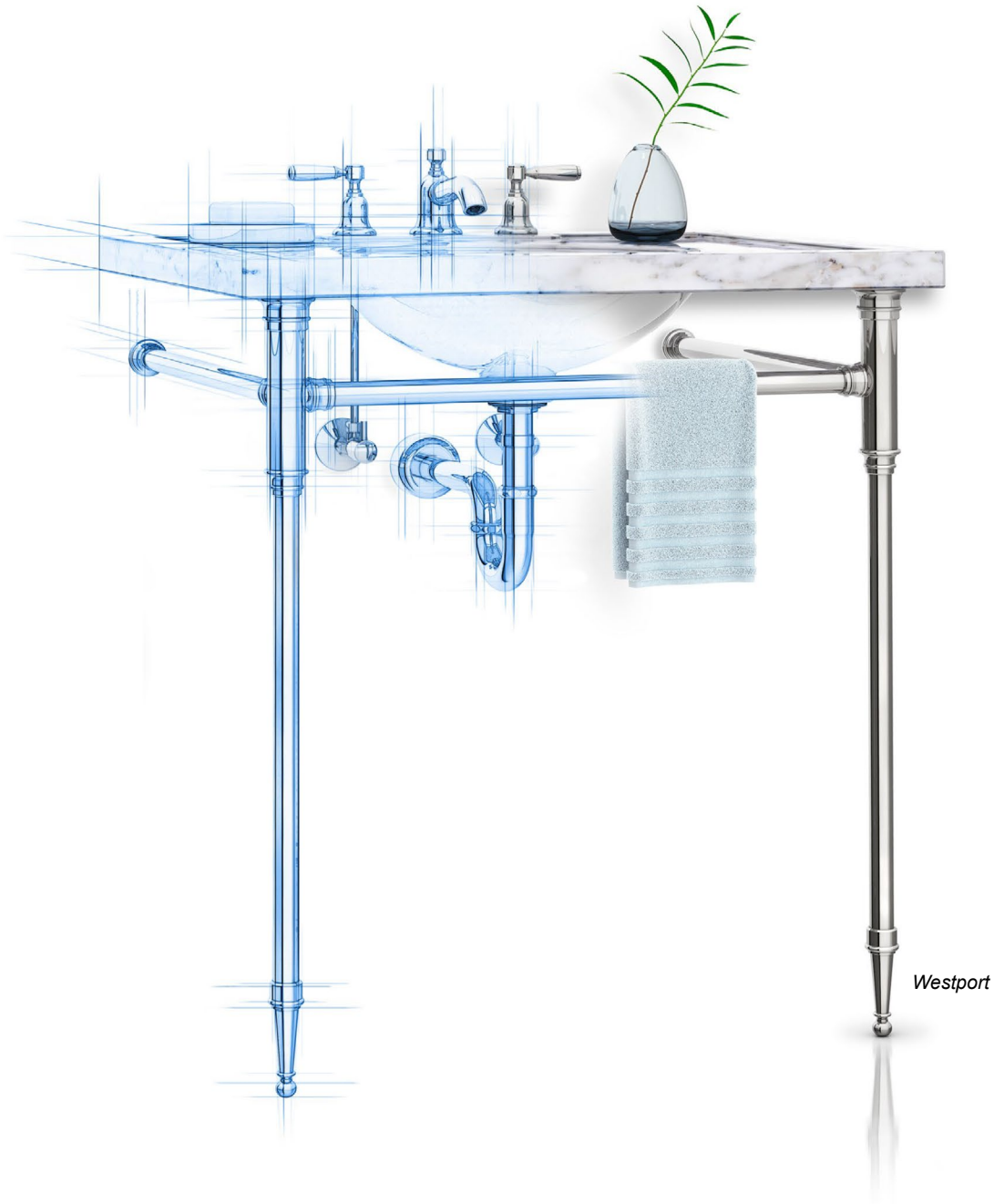
Every Palmer washstand includes a complete hardware package for efficient installation.

- 1. Wall Bracket
- 2. Front Crossbar
- 3. Rear Riser (optional)
- 4. Top Cap
- 5. Corner Joint
- 6. Leg Tube
- 7. Foot
- 8. Shelf (optional)
- 9. Floor Pin
- 10. Shelf Support Tee Joint (optional)
- 11. Shelf Support Ring (optional)
- 12. Shelf Support Tube (optional)
- 13. Wall Return Crossbar
- 14. Wall Flange
- 15. Counter Pin

PALMER INDUSTRIES

CUSTOM ARCHITECTURAL METALWORK

info@palmerindustries.com
palmerindustries.com
(401) 421-1730



American Manufacturing



Warwick, Rhode Island

© 2025 Palmer Industries - all rights reserved