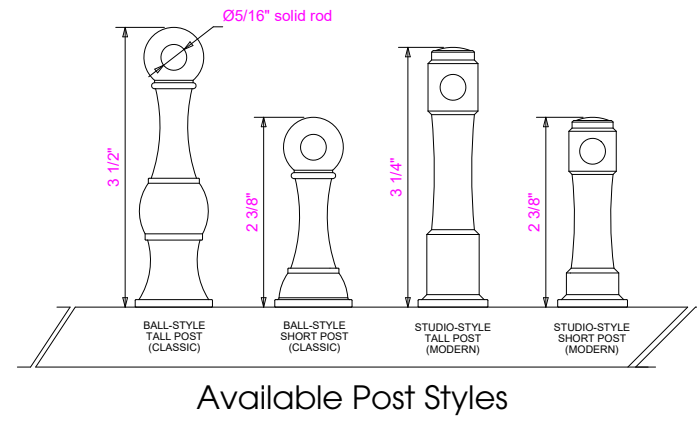


STANDARD GALLERY RAIL MOUNTING DIAGRAM

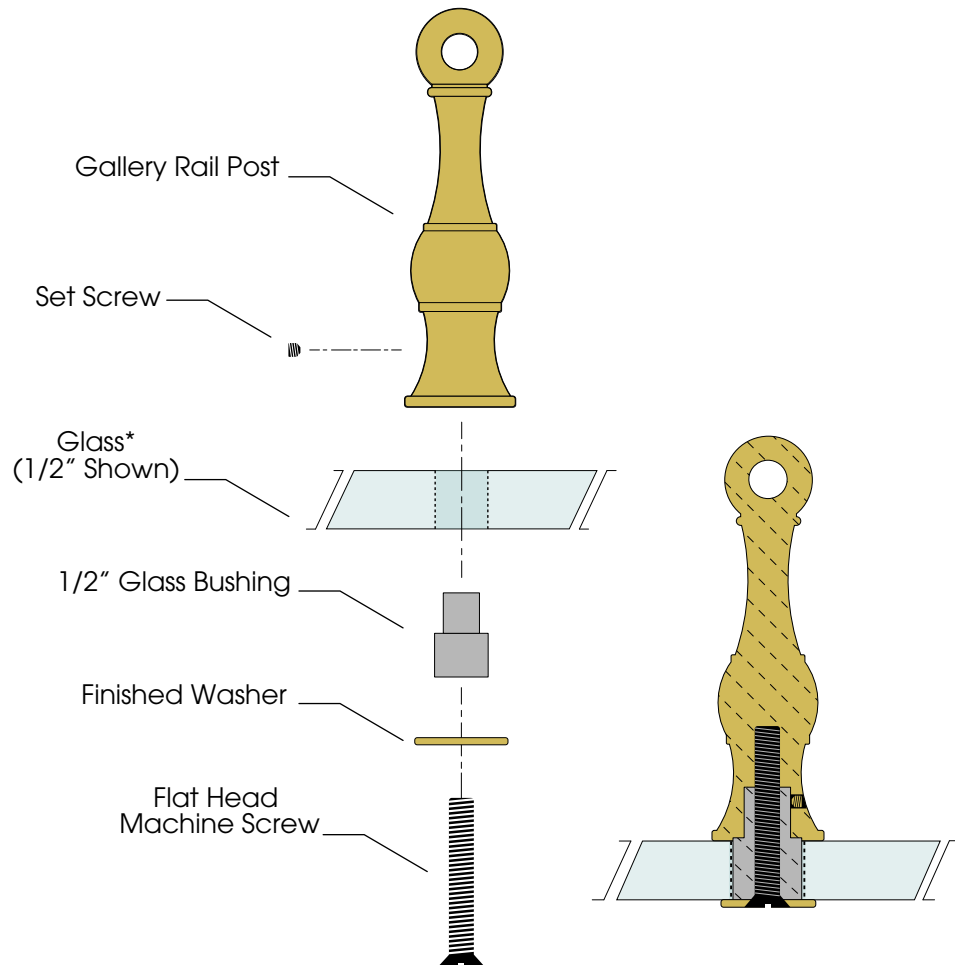
Please confirm your shelf / counter material and thickness with your Sales Rep. to ensure proper mounting hardware is provided.

Alternate mounting options available, consult your Sales Rep



Glass Mounting

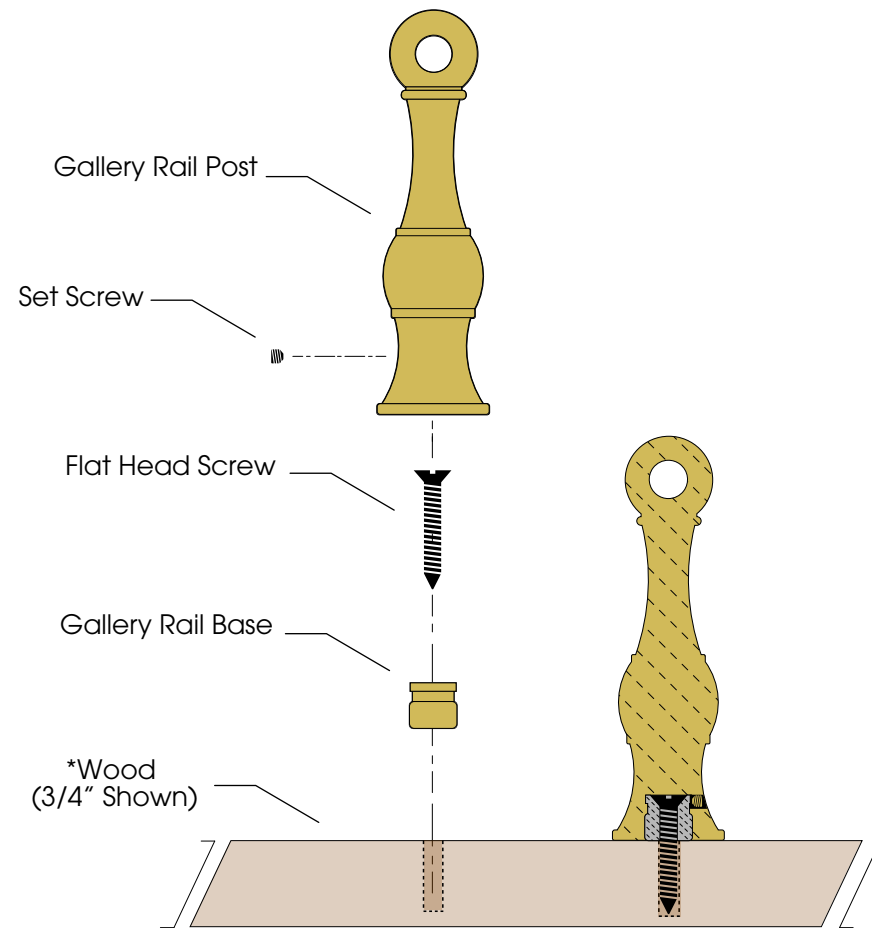
Specify if Glass is a different thickness than 1/2"
Hardware Supplied



**9/16" Thru Hole Recommended For 1/2" Glass*

Wood Mounting

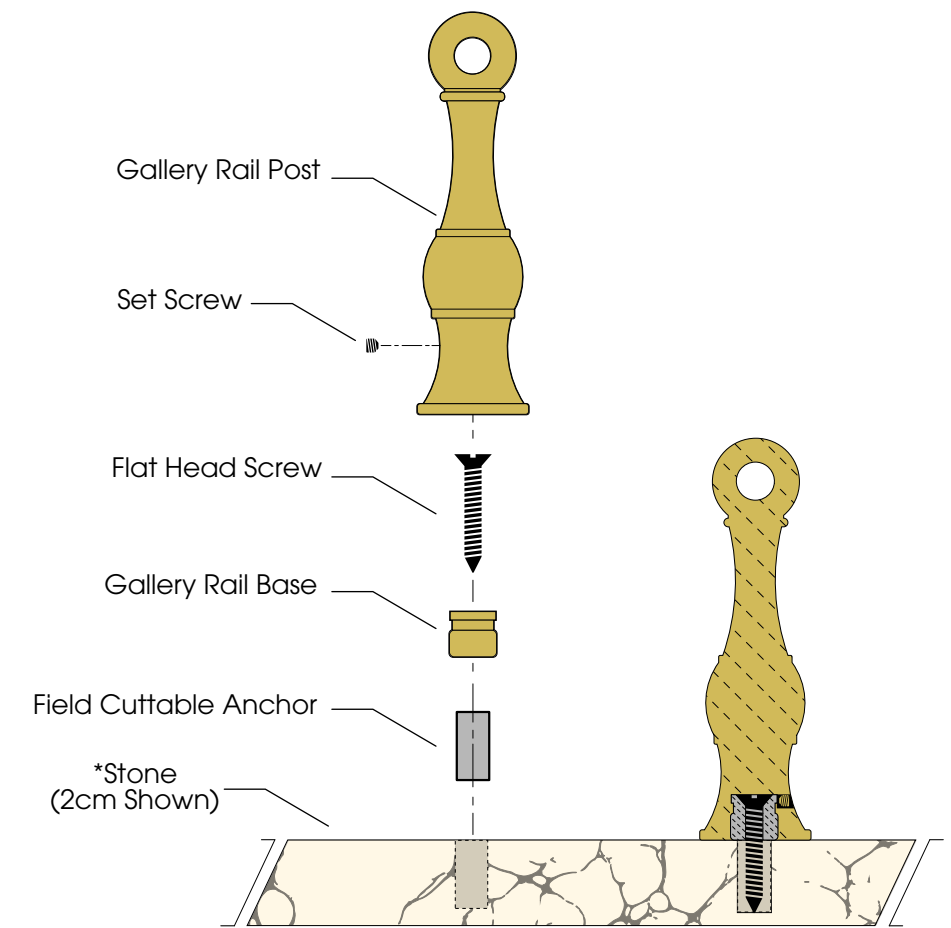
Minimum 3/4" thick mounting material
Hardware Supplied



**Ø3/32" Pilot Hole x 5/8" Depth Required*

Stone Mounting

Minimum 2cm thick mounting material
Hardware Supplied



**Ø7/32" Hole x 5/8" Depth Required For Anchor*