

PALMER INDUSTRIES

CUSTOM ARCHITECTURAL METALWORK



SINKLEGS
Consumer Catalogue



PALMER INDUSTRIES

CUSTOM ARCHITECTURAL METALWORK

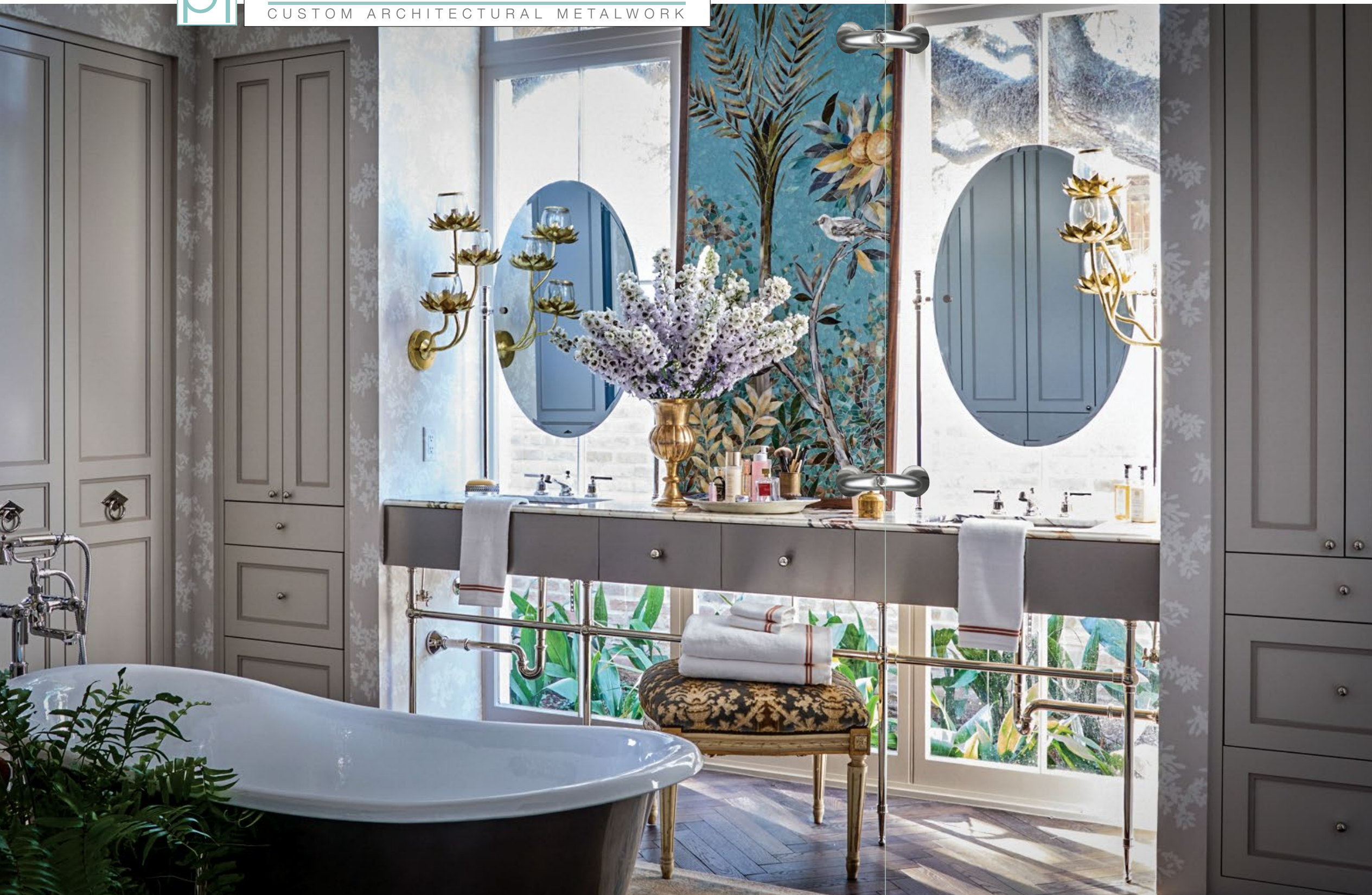


Photo: Paul Costello

Tapered Foot



Palmer Industries is the leading manufacturer of vanity sink legs. Palmer washstands are proudly manufactured in the USA – designed, fabricated, assembled, and packaged in our Rhode Island facility. We maintain complete control over the entire process, enabling Palmer to custom fabricate any style, any size, any configuration, and any finish, efficiently and accurately.

Please contact an Authorized Palmer Dealer for current pricing.

Table of Contents

	Styles	Images	Details
<i>Classic Collection</i>			
T	Tapered Foot	12	48
C	Decorative Collar	13	52
BL	Ball Foot	14	56
B	Bun Foot	15	60
<i>Traditional Collection</i>			
E	Essex	16	64
W	Westport	17	66
CAP	Capital	18	68
K	Kingston	19	70
V	Victorian	20	72
P	Providence	21	74
REN	Renaissance	22	76
PREN	Petite Renaissance	23	77
N	Newport	24	78
BAY	Bayonne	25	80
FR	Franklin	25	81
EM	Embry	26	82
SH	Soho	27	83
<i>Modern Collection</i>			
S	Studio	28	84
M	Minimal	29	90
MET	Metro	30	92
MOD	Modern	31	96
SQ	Square	32	98
L	Linear	33	100
J	Jamestown	34	101
BR	Bristol	35	102
<i>Wall Mount Collection</i>			
REG	Regency	36	103
A	Apex	37	104
SG	Signature	38	105
<i>Finishes, Options & Accessories</i>			
	Finishes & Materials	40	106
	Shelving & Supports	42	110
	Options & Accessories	44	112
<i>Appendices</i>			
	Dealers & Resources		116
	Estimates & Orders		117
	China Sinks		119
	Anatomy of a Leg System		120
	Tubing Diameter Reference		121



As a designer, engineer, and manufacturer of custom architectural metalwork, Palmer specializes in the production of America's finest Custom Vanity Sink Legs.

Sink Legs do not simply play a supporting role in the design of your vanity; they play the defining role. The choice between elegant legs or just a wood box changes everything...

A Palmer leg system will integrate perfectly with your unique choices of personal colors, wall, floor, and counter materials, plumbing fixtures, and style.

Palmer washstands will support any choice of counter material, such as granite, marble, quartz, porcelain, cement, composite, glass, metal, or wood. You provide the counter, and Palmer will design the perfect leg system exactly to your unique specifications... an ideal marriage.

Engineered in solid brass and richly finished in a full palette of lustrous platings, coatings, and hand-rubbed patinas, Palmer Industries brings you the finest in custom vanity sink legs, perfectly at home in your elegant master bedroom suite or your understated powder room.

Table of Contents

Styles		Images	Details
<i>Classic Collection</i>			
T	Tapered Foot	12	48
C	Decorative Collar	13	52
BL	Ball Foot	14	56
B	Bun Foot	15	60
<i>Traditional Collection</i>			
E	Essex	16	64
W	Westport	17	66
CAP	Capital	18	68
K	Kingston	19	70
V	Victorian	20	72
P	Providence	21	74
REN	Renaissance	22	76
PREN	Petite Renaissance	23	77
N	Newport	24	78
BAY	Bayonne	25	80
FR	Franklin	25	81
EM	Embry	26	82
SH	Soho	27	83
<i>Modern Collection</i>			
S	Studio	28	84
M	Minimal	29	90
MET	Metro	30	92
MOD	Modern	31	96
SQ	Square	32	98
L	Linear	33	100
J	Jamestown	34	101
BR	Bristol	35	102
<i>Wall Mount Collection</i>			
REG	Regency	36	103
A	Apex	37	104
SG	Signature	38	105
<i>Finishes, Options & Accessories</i>			
	Finishes & Materials	40	106
	Shelving & Supports	42	110
	Options & Accessories	44	112
<i>Appendices</i>			
	Dealers & Resources		116
	Estimates & Orders		117
	China Sinks		119
	Anatomy of a Leg System		120
	Tubing Diameter Reference		121





At Palmer, Custom Sizing is not "Custom"...

Palmer is a Boutique Designer & Manufacturer

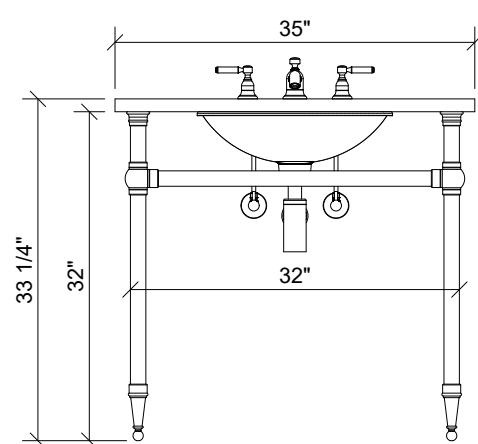
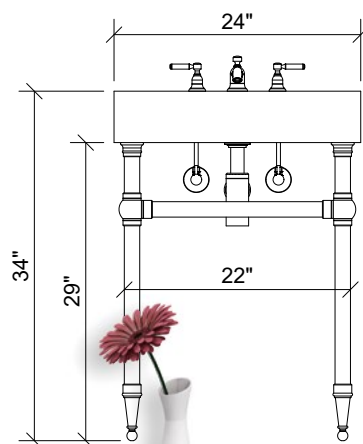
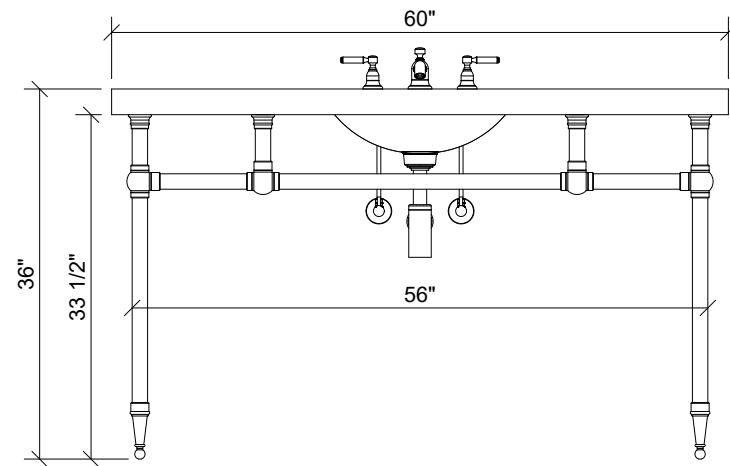


Each and every leg system is built to order...
one at a time...
to your exact size

One artisan...
One leg system...
One individual
"work of art"



Tapered Foot



All Palmer Leg Systems are hand-built one at a time, so we can easily adjust the width, depth, and finished height to suit your customer's exact needs for a modest additional cost.

Give us your counter dimensions and we'll deliver an exact fit.



R-060326

R-060326

If You Can Dream It,
Palmer Can Build It...



Tapered Foot

From your inspiration to the final polishing touch, Palmer's dedicated team of engineers and artisans can take your project from conception to completion.

Provide us with your simple sketch, magazine clipping, or concept images from social media, and Palmer will quickly propose a solution to accommodate your design intent.

Table of Contents

Styles	Images	Details
Classic Collection		
T Tapered Foot	12	48
C Decorative Collar	13	52
BL Ball Foot	14	56
B Bun Foot	15	60
Traditional Collection		
E Essex	16	64
W Westport	17	66
CAP Capital	18	68
K Kingston	19	70
V Victorian	20	72
P Providence	21	74
REN Renaissance	22	76
PREN Petite Renaissance	23	77
N Newport	24	78
BAY Bayonne	25	80
FR Franklin	25	81
EM Embry	26	82
SH Soho	27	83
Modern Collection		
S Studio	28	84
M Minimal	29	90
MET Metro	30	92
MOD Modern	31	96
SQ Square	32	98
L Linear	33	100
J Jamestown	34	101
BR Bristol	35	102
Wall Mount Collection		
REG Regency	36	103
A Apex	37	104
SG Signature	38	105

Finishes, Options & Accessories

Finishes & Materials	40	106
Shelving & Supports	42	110
Options & Accessories	44	112

Appendices

Dealers & Resources	116
Estimates & Orders	117
China Sinks	119
Anatomy of a Leg System	120
Tubing Diameter Reference	121

Palmer specializes in meeting your custom design needs: any style, any size, any configuration, and any finish...



STYLES

a gallery of images



photo: Kyle Caldwell

Ball Foot



index to a gallery of images



R-060326

R-060326

Classic Collection

- T** Tapered Foot 12
- C** Decorative Collar 13
- BL** Ball Foot 14
- B** Bun Foot 15

Traditional Collection

- E** Essex 16
- W** Westport 17
- CAP** Capital 18
- K** Kingston 19
- V** Victorian 20
- P** Providence 21
- REN** Renaissance 22
- PREN** Petite Ren 23
- N** Newport 24
- BAY** Bayonne 25
- FR** Franklin 25
- EM** Embry 26
- SH** Soho 27

Modern Collection

- S** Studio 28
- M** Minimal 29
- MET** Metro 30
- MOD** Modern 31
- SQ** Square 32
- L** Linear 33
- J** Jamestown 34
- BR** Bristol 35

Wall Mount Collection

- REG** Regency 36
- A** Apex 37
- SG** Signature 38



Table of Contents

Styles		Images	Details
<i>Classic Collection</i>			
T Tapered Foot		12	48
C Decorative Collar		13	52
BL Ball Foot		14	56
B Bun Foot		15	60
<i>Traditional Collection</i>			
E Essex		16	64
W Westport		17	66
CAP Capital		18	68
K Kingston		19	70
V Victorian		20	72
P Providence		21	74
REN Renaissance		22	76
PREN Petite Renaissance		23	77
N Newport		24	78
BAY Bayonne		25	80
FR Franklin		25	81
EM Embry		26	82
SH Soho		27	83
<i>Modern Collection</i>			
S Studio		28	84
M Minimal		29	90
MET Metro		30	92
MOD Modern		31	96
SQ Square		32	98
L Linear		33	100
J Jamestown		34	101
BR Bristol		35	102
<i>Wall Mount Collection</i>			
REG Regency		36	103
A Apex		37	104
SG Signature		38	105
<i>Finishes, Options & Accessories</i>			
Finishes & Materials		40	106
Shelving & Supports		42	110
Options & Accessories		44	112
<i>Appendices</i>			
Dealers & Resources			116
Estimates & Orders			117
China Sinks			119
Anatomy of a Leg System			120
Tubing Diameter Reference			121



TAPERED FOOT

T

The *Tapered Foot* console, with its classic foot detail and distinctive ball corner joints, remains Palmer's most popular style.



LS21T with MTI Modern counter

available in 1½" diameter and 1" diameter tubing

see pg. 48 for details

LS2T



R-060326

R-060326

DECORATIVE COLLAR

C

The crisply machined decorative collars, positioned below the corner joints and used as feet, define the *Decorative Collar* style.



LS5C + TS5 + SS5R + TRL + TRR

shown above with optional hotel style shelf, rail shelf supports, and auxiliary towel rails

available in 1½" diameter and 1" diameter tubing

see pg. 52 for details

LS2C

Styles		Images	Details
<i>Classic Collection</i>			
T	Tapered Foot	12	48
C	Decorative Collar	13	52
BL	Ball Foot	14	56
B	Bun Foot	15	60
<i>Traditional Collection</i>			
E	Essex	16	64
W	Westport	17	66
CAP	Capital	18	68
K	Kingston	19	70
V	Victorian	20	72
P	Providence	21	74
REN	Renaissance	22	76
PREN	Petite Renaissance	23	77
N	Newport	24	78
BAY	Bayonne	25	80
FR	Franklin	25	81
EM	Embry	26	82
SH	Soho	27	83
<i>Modern Collection</i>			
S	Studio	28	84
M	Minimal	29	90
MET	Metro	30	92
MOD	Modern	31	96
SQ	Square	32	98
L	Linear	33	100
J	Jamestown	34	101
BR	Bristol	35	102
<i>Wall Mount Collection</i>			
REG	Regency	36	103
A	Apex	37	104
SG	Signature	38	105

Finishes, Options & Accessories

Finishes & Materials	40	106
Shelving & Supports	42	110
Options & Accessories	44	112

Appendices

Dealers & Resources	116
Estimates & Orders	117
China Sinks	119
Anatomy of a Leg System	120
Tubing Diameter Reference	121



BALL FOOT

BL

The *Ball Foot* style features Palmer's unique ball-and-socket corner joints, with their sharp lines and visual heft, paired with perfectly matching ball feet.



LS2BL + SD

shown with split diameter option

available in 1½" diameter and 1" diameter tubing

see pg. 56 for details

LS2BL + SD



R-060326

R-060326



BUN FOOT

B

The bun foot has long been a classic architectural feature in fine furniture design, and Palmer's *Bun Foot* console features a robust and elegant version of this style.



LS3B + FR

shown above with Palmer custom mirror supports and optional front riser

available in 1½" diameter and 1" diameter tubing

see pg. 60 for details

LS2B

Styles

	Images	Details
<i>Classic Collection</i>		
T Tapered Foot	12	48
C Decorative Collar	13	52
BL Ball Foot	14	56
B Bun Foot	15	60
<i>Traditional Collection</i>		
E Essex	16	64
W Westport	17	66
CAP Capital	18	68
K Kingston	19	70
V Victorian	20	72
P Providence	21	74
REN Renaissance	22	76
PREN Petite Renaissance	23	77
N Newport	24	78
BAY Bayonne	25	80
FR Franklin	25	81
EM Embry	26	82
SH Soho	27	83
<i>Modern Collection</i>		
S Studio	28	84
M Minimal	29	90
MET Metro	30	92
MOD Modern	31	96
SQ Square	32	98
L Linear	33	100
J Jamestown	34	101
BR Bristol	35	102
<i>Wall Mount Collection</i>		
REG Regency	36	103
A Apex	37	104
SG Signature	38	105

Finishes, Options & Accessories

Finishes & Materials	40	106
Shelving & Supports	42	110
Options & Accessories	44	112

Appendices

Dealers & Resources	116
Estimates & Orders	117
China Sinks	119
Anatomy of a Leg System	120
Tubing Diameter Reference	121



ESSEX

E

The *Essex* features a refined tapered leg paired with a slender foot and perfectly coordinated fittings.



LS2E



LS2E

1½" diameter legs tapering to 1" diameter at the foot

1" diameter crossbars

see pg. 64 for details



R-060326

R-060326



WESTPORT

W

The *Westport* features a round head transitioning to a slender leg, with complementary fittings, and a single horizontal crossbar.



LS2W



LS2W

1½" diameter head
1" diameter legs
1" diameter crossbars

see pg. 66 for details

Styles

Classic Collection

	Images	Details
T Tapered Foot	12	48
C Decorative Collar	13	52
BL Ball Foot	14	56
B Bun Foot	15	60

Traditional Collection

E Essex	16	64
W Westport	17	66
CAP Capital	18	68
K Kingston	19	70
V Victorian	20	72
P Providence	21	74
REN Renaissance	22	76
PREN Petite Renaissance	23	77
N Newport	24	78
BAY Bayonne	25	80
FR Franklin	25	81
EM Embry	26	82
SH Soho	27	83

Modern Collection

S Studio	28	84
M Minimal	29	90
MET Metro	30	92
MOD Modern	31	96
SQ Square	32	98
L Linear	33	100
J Jamestown	34	101
BR Bristol	35	102

Wall Mount Collection

REG Regency	36	103
A Apex	37	104
SG Signature	38	105

Finishes, Options & Accessories

Finishes & Materials	40	106
Shelving & Supports	42	110
Options & Accessories	44	112

Appendices

Dealers & Resources	116
Estimates & Orders	117
China Sinks	119
Anatomy of a Leg System	120
Tubing Diameter Reference	121



CAPITAL

CAP

The *Capital* style is defined by its prominent square head, slender leg, and distinctive double horizontal crossbars.



LS2CAP

shown above with Palmer custom wall-mounted Towel Rack

1 1/2" square head
1" diameter legs
1" diameter crossbars

see pg. 68 for details

LS2CAP

KINGSTON

K

Vintage tapered legs with decorative collars, classic ball-and-socket joints, a tapered foot, and slender crossbars all combine to create the *Kingston*.



LS2K

1 1/2" diameter legs tapering to 1" diameter at the foot

1" diameter crossbars

see pg. 70 for details

LS2K

		Styles	
		Images	Details
<i>Classic Collection</i>			
T	Tapered Foot	12	48
C	Decorative Collar	13	52
BL	Ball Foot	14	56
B	Bun Foot	15	60
<i>Traditional Collection</i>			
E	Essex	16	64
W	Westport	17	66
CAP	Capital	18	68
K	Kingston	19	70
V	Victorian	20	72
P	Providence	21	74
REN	Renaissance	22	76
PREN	Petite Renaissance	23	77
N	Newport	24	78
BAY	Bayonne	25	80
FR	Franklin	25	81
EM	Embry	26	82
SH	Soho	27	83
<i>Modern Collection</i>			
S	Studio	28	84
M	Minimal	29	90
MET	Metro	30	92
MOD	Modern	31	96
SQ	Square	32	98
L	Linear	33	100
J	Jamestown	34	101
BR	Bristol	35	102
<i>Wall Mount Collection</i>			
REG	Regency	36	103
A	Apex	37	104
SG	Signature	38	105
<i>Finishes, Options & Accessories</i>			
Finishes & Materials		40	106
Shelving & Supports		42	110
Options & Accessories		44	112
<i>Appendices</i>			
Dealers & Resources		116	
Estimates & Orders		117	
China Sinks		119	
Anatomy of a Leg System		120	
Tubing Diameter Reference		121	



VICTORIAN

V

The *Victorian* offers an artfully crafted and open design, featuring auxiliary towel rails and split collar shelf supports, while incorporating ample storage space below.



LS41V

1" diameter legs
5/8" diameter towel rails

shown with stone shelf supplied by customer

see pg. 72 for details

LS41V



R-060326

R-060326



PROVIDENCE

P

The *Providence* model, featuring a striking square head, turned neck, and mildly tapered legs, seamlessly incorporates stone aprons (a "skirt") concealing the sink basin and hardware below the countertop.



LS2P

2" square head

1 1/2" diameter legs tapering to 1" diameter at the foot

stone top & aprons by others

see pg. 74 for details



LS2P

Styles

Classic Collection

	Images	Details
T Tapered Foot	12	48
C Decorative Collar	13	52
BL Ball Foot	14	56
B Bun Foot	15	60

Traditional Collection

E Essex	16	64
W Westport	17	66
CAP Capital	18	68
K Kingston	19	70
V Victorian	20	72
P Providence	21	74
REN Renaissance	22	76
PREN Petite Renaissance	23	77
N Newport	24	78
BAY Bayonne	25	80
FR Franklin	25	81
EM Embry	26	82
SH Soho	27	83

Modern Collection

S Studio	28	84
M Minimal	29	90
MET Metro	30	92
MOD Modern	31	96
SQ Square	32	98
L Linear	33	100
J Jamestown	34	101
BR Bristol	35	102

Wall Mount Collection

REG Regency	36	103
A Apex	37	104
SG Signature	38	105

Finishes, Options & Accessories

Finishes & Materials	40	106
Shelving & Supports	42	110
Options & Accessories	44	112

Appendices

Dealers & Resources	116
Estimates & Orders	117
China Sinks	119
Anatomy of a Leg System	120
Tubing Diameter Reference	121



RENAISSANCE

REN

The *Renaissance* console, with its broadly sweeping center curve flanked by pairs of legs on either side, represents a classic and timeless architectural style.



LS41REN

shown above with a Stone Forest Renaissance sink and featuring a matching Palmer wall-mounted Towel Rack and free-standing Palmer Étagère

1" diameter legs
1" diameter crossbars

see pg. 76 for details

LS41REN



R-060326

R-060326



LS21REN

shown above with a Stone Forest Petite-Renaissance sink

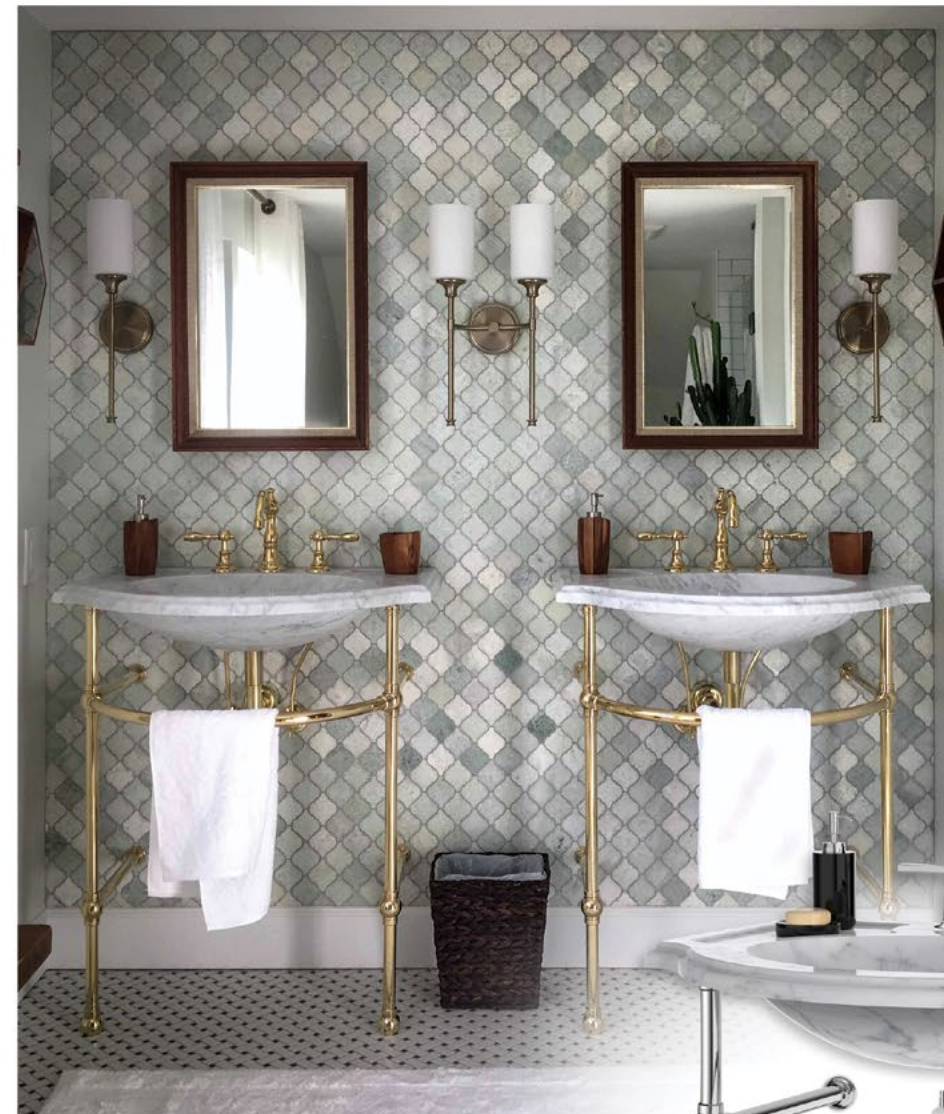
1" diameter legs
1" diameter crossbars

see pg. 77 for details

PETITE RENAISSANCE

PREN

The *Petite Renaissance* model is a narrower, 2 leg, diminutive version of our popular 4 leg Renaissance washstand.



LS21REN

Styles

Classic Collection

- T** Tapered Foot 12 48
- C** Decorative Collar 13 52
- BL** Ball Foot 14 56
- B** Bun Foot 15 60

Traditional Collection

- E** Essex 16 64
- W** Westport 17 66
- CAP** Capital 18 68
- K** Kingston 19 70
- V** Victorian 20 72
- P** Providence 21 74
- REN** Renaissance 22 76
- PREN** Petite Renaissance 23 77
- N** Newport 24 78
- BAY** Bayonne 25 80
- FR** Franklin 25 81
- EM** Embry 26 82
- SH** Soho 27 83

Modern Collection

- S** Studio 28 84
- M** Minimal 29 90
- MET** Metro 30 92
- MOD** Modern 31 96
- SQ** Square 32 98
- L** Linear 33 100
- J** Jamestown 34 101
- BR** Bristol 35 102

Wall Mount Collection

- REG** Regency 36 103
- A** Apex 37 104
- SG** Signature 38 105

Finishes, Options & Accessories

- Finishes & Materials 40 106
- Shelving & Supports 42 110
- Options & Accessories 44 112

Appendices

- Dealers & Resources 116
- Estimates & Orders 117
- China Sinks 119
- Anatomy of a Leg System 120
- Tubing Diameter Reference 121

Images
Details

12 48
13 52
14 56
15 60

16 64
17 66
18 68
19 70
20 72
21 74
22 76
23 77
24 78
25 80
25 81
26 82
27 83

28 84
29 90
30 92
31 96
32 98
33 100
34 101
35 102

36 103
37 104
38 105

40 106
42 110
44 112

116
117
119
120
121



NEWPORT

N

The *Newport* console features the combination of classic metal finishes with the rich natural beauty of tapered walnut heartwood legs and horizontal crossbars.



LS2N + HB

Our rich walnut heartwood is a natural product; the color tone and wood grain will vary as each piece is unique

LS2N + HB

shown with optional hammered ball fittings

1 1/2" diameter legs tapering to 1" diameter at the foot

1" diameter crossbars

combination wood & metal front crossbar

see pg. 78 for details



R-060326

R-060326



BAYONNE

BAY

The *Bayonne* console features four walnut legs and curved side-bars that complement the unique shape of the Stone Forest Bayonne top.

1 1/2" diameter legs tapering to 1" diameter at the foot

1" diameter crossbars

shown with optional hammered ball fittings



LS4BAY + HB

1 1/2" diameter legs
1" diameter crossbars

see pg. 80 & 81 for details

FRANKLIN

FR

The *Franklin* console is designed to fit this unique top shape with scalloped corners, and features four metal legs, curved side-bars, and long modern feet

LS4FR

Styles

Classic Collection

	Images	Details
T Tapered Foot	12	48
C Decorative Collar	13	52
BL Ball Foot	14	56
B Bun Foot	15	60

Traditional Collection

E Essex	16	64
W Westport	17	66
CAP Capital	18	68
K Kingston	19	70
V Victorian	20	72
P Providence	21	74
REN Renaissance	22	76
PREN Petite Renaissance	23	77
N Newport	24	78
BAY Bayonne	25	80
FR Franklin	25	81
EM Embry	26	82
SH Soho	27	83

Modern Collection

S Studio	28	84
M Minimal	29	90
MET Metro	30	92
MOD Modern	31	96
SQ Square	32	98
L Linear	33	100
J Jamestown	34	101
BR Bristol	35	102

Wall Mount Collection

REG Regency	36	103
A Apex	37	104
SG Signature	38	105

Finishes, Options & Accessories

Finishes & Materials	40	106
Shelving & Supports	42	110
Options & Accessories	44	112

Appendices

Dealers & Resources	116
Estimates & Orders	117
China Sinks	119
Anatomy of a Leg System	120
Tubing Diameter Reference	121



EMBRY

EM

The *Embry* makes an elegant statement with its sturdy 2" diameter head transitioning through a sculpted neck into the leg's gentle taper. The distinct contrast in diameter defines this sophisticated silhouette.



EM200



EM200

The *Embry* leg incorporates a unique leveling pin in the bottom of the foot, allowing for 3/4" of height adjustment to correct any out-of-level floor condition.

2" diameter head with tapered legs

see pg. 82 for details



R-060326

R-060326

SOHO

SH

In an inspired, but radical, departure from our modular, tube & connector style vanity leg systems, Palmer introduces the curvaceous *Soho* precision-machined solid brass leg.



SH200

This elegant 33" tall leg flows from its widest embellishment at 2-3/4" diameter undulating gracefully down to a 5/8" ankle above a stylish foot.

see pg. 83 for details



SH200

Styles

Classic Collection

- T Tapered Foot 12 48
- C Decorative Collar 13 52
- BL Ball Foot 14 56
- B Bun Foot 15 60

Traditional Collection

- E Essex 16 64
- W Westport 17 66
- CAP Capital 18 68
- K Kingston 19 70
- V Victorian 20 72
- P Providence 21 74
- REN Renaissance 22 76
- PREN Petite Renaissance 23 77
- N Newport 24 78
- BAY Bayonne 25 80
- FR Franklin 25 81
- EM Embry 26 82
- SH Soho 27 83

Modern Collection

- S Studio 28 84
- M Minimal 29 90
- MET Metro 30 92
- MOD Modern 31 96
- SQ Square 32 98
- L Linear 33 100
- J Jamestown 34 101
- BR Bristol 35 102

Wall Mount Collection

- REG Regency 36 103
- A Apex 37 104
- SG Signature 38 105

Finishes, Options & Accessories

- Finishes & Materials 40 106
- Shelving & Supports 42 110
- Options & Accessories 44 112

Appendices

- Dealers & Resources 116
- Estimates & Orders 117
- China Sinks 119
- Anatomy of a Leg System 120
- Tubing Diameter Reference 121

Images

Details



STUDIO

S

The *Studio* console elevates modern industrial utility to a state of luxurious design with its sharp refined lines, and understated fittings.



LS2SNR with Catalano Zero 100 sink

available in:
1 1/2" diameter tubing
1" diameter tubing
3/4" diameter tubing

see pg. 84 for details

LS2SNR

MINIMAL

M

The *Minimal* model, with its unadorned tapered legs and clean fittings, affords a sleek and fashionable sense for today's modern minimalist bathrooms.



LS2M with Duravit DuraStyle sink

1 1/2" diameter legs tapering to 1" diameter at the foot

1" diameter crossbars

see pg. 90 for details

LS2M

Styles

Classic Collection

- T** Tapered Foot 12 48
- C** Decorative Collar 13 52
- BL** Ball Foot 14 56
- B** Bun Foot 15 60

Traditional Collection

- E** Essex 16 64
- W** Westport 17 66
- CAP** Capital 18 68
- K** Kingston 19 70
- V** Victorian 20 72
- P** Providence 21 74
- REN** Renaissance 22 76
- PREN** Petite Renaissance 23 77
- N** Newport 24 78
- BAY** Bayonne 25 80
- FR** Franklin 25 81
- EM** Embry 26 82
- SH** Soho 27 83

Modern Collection

- S** Studio 28 84
- M** Minimal 29 90
- MET** Metro 30 92
- MOD** Modern 31 96
- SQ** Square 32 98
- L** Linear 33 100
- J** Jamestown 34 101
- BR** Bristol 35 102

Wall Mount Collection

- REG** Regency 36 103
- A** Apex 37 104
- SG** Signature 38 105

Finishes, Options & Accessories

- Finishes & Materials 40 106
- Shelving & Supports 42 110
- Options & Accessories 44 112

Appendices

- Dealers & Resources 116
- Estimates & Orders 117
- China Sinks 119
- Anatomy of a Leg System 120
- Tubing Diameter Reference 121

Images	Details
12	48
13	52
14	56
15	60
16	64
17	66
18	68
19	70
20	72
21	74
22	76
23	77
24	78
25	80
25	81
26	82
27	83
28	84
29	90
30	92
31	96
32	98
33	100
34	101
35	102
36	103
37	104
38	105
40	106
42	110
44	112
116	
117	
119	
120	
121	



METRO

MET

The *Metro* console offers clean uninterrupted lines and simple styling, in a diminutive scale well suited to smaller spaces.



LS21MET + TS2 + SS2LP

LS21MET + TS2 + SS2LP with Duravit Vero sink

shown with optional hotel style shelf and low profile shelf supports

available in 1" diameter legs with 5/8" diameter offset crossbars (as shown), and also 1 1/2" diameter legs with 1" diameter offset crossbars

see pg. 92 for details



R-060326

R-060326

MODERN

MOD

Inspired by Danish Modern design, the *Modern* console features a long sleek foot, smooth contours, and simple geometric patterns.



LS2MOD

1 1/2" diameter legs
1" diameter crossbars

see pg. 96 for details

Styles

Classic Collection

	Images	Details
T Tapered Foot	12	48
C Decorative Collar	13	52
BL Ball Foot	14	56
B Bun Foot	15	60

Traditional Collection

E Essex	16	64
W Westport	17	66
CAP Capital	18	68
K Kingston	19	70
V Victorian	20	72
P Providence	21	74
REN Renaissance	22	76
PREN Petite Renaissance	23	77
N Newport	24	78
BAY Bayonne	25	80
FR Franklin	25	81
EM Embry	26	82
SH Soho	27	83

Modern Collection

S Studio	28	84
M Minimal	29	90
MET Metro	30	92
MOD Modern	31	96
SQ Square	32	98
L Linear	33	100
J Jamestown	34	101
BR Bristol	35	102

Wall Mount Collection

REG Regency	36	103
A Apex	37	104
SG Signature	38	105

Finishes, Options & Accessories

Finishes & Materials	40	106
Shelving & Supports	42	110
Options & Accessories	44	112

Appendices

Dealers & Resources	116
Estimates & Orders	117
China Sinks	119
Anatomy of a Leg System	120
Tubing Diameter Reference	121

LS2MOD



SQUARE

SQ

The contemporary *Square* model is defined by its strong horizontal and vertical lines created by the crisp-edge square tubing, and punctuated by complementary stylish square fittings.



LS2SQ

1 1/2" square legs
1" square crossbars

see pg. 98 for details



LS2SQ with Duravit Vero sink



R-060326

R-060326

LINEAR

L

The integration of the strong rectilinear lines of square tubing with concealed flush joinery creates the cutting edge look and appeal of the *Linear* console.



LS41L + GS4

1" square legs
1" square crossbars

shown with custom fabricated marble top and optional glass shelf

see pg. 100 for details



LS41L + GS4

Styles

Classic Collection

T	Tapered Foot	12	48
C	Decorative Collar	13	52
BL	Ball Foot	14	56
B	Bun Foot	15	60

Traditional Collection

E	Essex	16	64
W	Westport	17	66
CAP	Capital	18	68
K	Kingston	19	70
V	Victorian	20	72
P	Providence	21	74
REN	Renaissance	22	76
PREN	Petite Renaissance	23	77
N	Newport	24	78
BAY	Bayonne	25	80
FR	Franklin	25	81
EM	Embry	26	82
SH	Soho	27	83

Modern Collection

S	Studio	28	84
M	Minimal	29	90
MET	Metro	30	92
MOD	Modern	31	96
SQ	Square	32	98
L	Linear	33	100
J	Jamestown	34	101
BR	Bristol	35	102

Wall Mount Collection

REG	Regency	36	103
A	Apex	37	104
SG	Signature	38	105

Finishes, Options & Accessories

Finishes & Materials	40	106
Shelving & Supports	42	110
Options & Accessories	44	112

Appendices

Dealers & Resources	116
Estimates & Orders	117
China Sinks	119
Anatomy of a Leg System	120
Tubing Diameter Reference	121

Images
Details



JAMESTOWN

J

The smooth refined lines of the Danish Modern foot and a gracefully curved crossbar define the *Jamestown* style, and achieve a tasteful blending of traditional form with modern appeal.



LS2J + WS2 + SS2LP

1½" diameter legs
1" diameter crossbars

shown at left with Stone Forest Harbor sink, optional Teak wood shelf, & low profile shelf supports

see pg. 101 for details



LS2J + GS2 + SS2C-G



R-060326

R-060326



BRISTOL

BR

Featuring precisely tapered legs, rectangular metal aprons, and hexagonal details, the *Bristol* style expresses a clean blend of modern design and industrial chic.



LS2BR

shown at right with optional glass shelf, & clip shelf supports

1½" diameter legs tapering to 1" diameter at the foot

see pg. 102 for details



LS2BR + GS2 + SS2C-G

Styles

Classic Collection

T	Tapered Foot	12	48
C	Decorative Collar	13	52
BL	Ball Foot	14	56
B	Bun Foot	15	60

Traditional Collection

E	Essex	16	64
W	Westport	17	66
CAP	Capital	18	68
K	Kingston	19	70
V	Victorian	20	72
P	Providence	21	74
REN	Renaissance	22	76
PREN	Petite Renaissance	23	77
N	Newport	24	78
BAY	Bayonne	25	80
FR	Franklin	25	81
EM	Embry	26	82
SH	Soho	27	83

Modern Collection

S	Studio	28	84
M	Minimal	29	90
MET	Metro	30	92
MOD	Modern	31	96
SQ	Square	32	98
L	Linear	33	100
J	Jamestown	34	101
BR	Bristol	35	102

Wall Mount Collection

REG	Regency	36	103
A	Apex	37	104
SG	Signature	38	105

Finishes, Options & Accessories

Finishes & Materials	40	106
Shelving & Supports	42	110
Options & Accessories	44	112

Appendices

Dealers & Resources	116
Estimates & Orders	117
China Sinks	119
Anatomy of a Leg System	120
Tubing Diameter Reference	121

Images
Details



REGENCY

REG

The *Regency* model, with its soft curves and masculine flair, offers a wall-hung vanity option for applications when a leg system is not practical, or a raised architectural concept is preferred.



WMREG



WMREG

1" diameter crossbar

shown with Stone Forest Petite Renaissance sink

see pg. 103 for details



R-060326

R-060326



APEX

A

Featuring minimal exposed metalwork and a structurally sound geometric form, the *Apex* offers a space-saving and simple wall-hung approach to vanity installations.

The *Apex* style is available with decorative collars as shown at right, or without collars as shown below.



WMAC



WMA

1" diameter tubing

shown with Stone Forest Vintage 27 sink

see pg. 104 for details

Styles

Classic Collection

T	Tapered Foot	12	48
C	Decorative Collar	13	52
BL	Ball Foot	14	56
B	Bun Foot	15	60

Traditional Collection

E	Essex	16	64
W	Westport	17	66
CAP	Capital	18	68
K	Kingston	19	70
V	Victorian	20	72
P	Providence	21	74
REN	Renaissance	22	76
PREN	Petite Renaissance	23	77
N	Newport	24	78
BAY	Bayonne	25	80
FR	Franklin	25	81
EM	Embry	26	82
SH	Soho	27	83

Modern Collection

S	Studio	28	84
M	Minimal	29	90
MET	Metro	30	92
MOD	Modern	31	96
SQ	Square	32	98
L	Linear	33	100
J	Jamestown	34	101
BR	Bristol	35	102

Wall Mount Collection

REG	Regency	36	103
A	Apex	37	104
SG	Signature	38	105

Finishes, Options & Accessories

Finishes & Materials	40	106
Shelving & Supports	42	110
Options & Accessories	44	112

Appendices

Dealers & Resources	116
Estimates & Orders	117
China Sinks	119
Anatomy of a Leg System	120
Tubing Diameter Reference	121

Images
Details



SIGNATURE

SG

The *Signature* Wall Mount offers a simple yet refined solution to supporting wall-hung vanities, featuring Palmer's machined ball-and-socket details.



WMSG with Duravit Vero sink

1" diameter tubing

see pg. 105 for details



R-060326

R-060326



photo: David Patterson

Jamestown

PALMER
WE DO ALL THE LEG WORK FOR YOU

		Styles	
		Images	Details
<i>Classic Collection</i>			
T	Tapered Foot	12	48
C	Decorative Collar	13	52
BL	Ball Foot	14	56
B	Bun Foot	15	60
<i>Traditional Collection</i>			
E	Essex	16	64
W	Westport	17	66
CAP	Capital	18	68
K	Kingston	19	70
V	Victorian	20	72
P	Providence	21	74
REN	Renaissance	22	76
PREN	Petite Renaissance	23	77
N	Newport	24	78
BAY	Bayonne	25	80
FR	Franklin	25	81
EM	Embry	26	82
SH	Soho	27	83
<i>Modern Collection</i>			
S	Studio	28	84
M	Minimal	29	90
MET	Metro	30	92
MOD	Modern	31	96
SQ	Square	32	98
L	Linear	33	100
J	Jamestown	34	101
BR	Bristol	35	102
<i>Wall Mount Collection</i>			
REG	Regency	36	103
A	Apex	37	104
SG	Signature	38	105

Finishes, Options & Accessories

Finishes & Materials	40	106
Shelving & Supports	42	110
Options & Accessories	44	112

Appendices

Dealers & Resources	116
Estimates & Orders	117
China Sinks	119
Anatomy of a Leg System	120
Tubing Diameter Reference	121



Perma-Clear Acrylic Rod



Seafoam Acrylic Rod

THE PALMER PALETTE 16



Reeded Tubing 1 1/2" Diameter



Reeded Tubing 1" Diameter

○ Sixteen finishes... Infinite possibilities ○

Polished Chrome



Polished Nickel



Satin Nickel



Aged Nickel Un-Lacquered



Plated Finishes

Polished Brass Lacquered



Satin Brass Lacquered



Aged Brass Lacquered



Cerakote® Matte Black



Coated Finishes

Living Finishes

Polished Brass Un-Lacquered



Satin Brass Waxed



Aged Brass Un-Lacquered



Oil Rubbed Bronze



PVD Finishes

Polished Brass PVD



Satin Brass PVD



Polished Gold PVD



Satin Gold PVD



Table of Contents

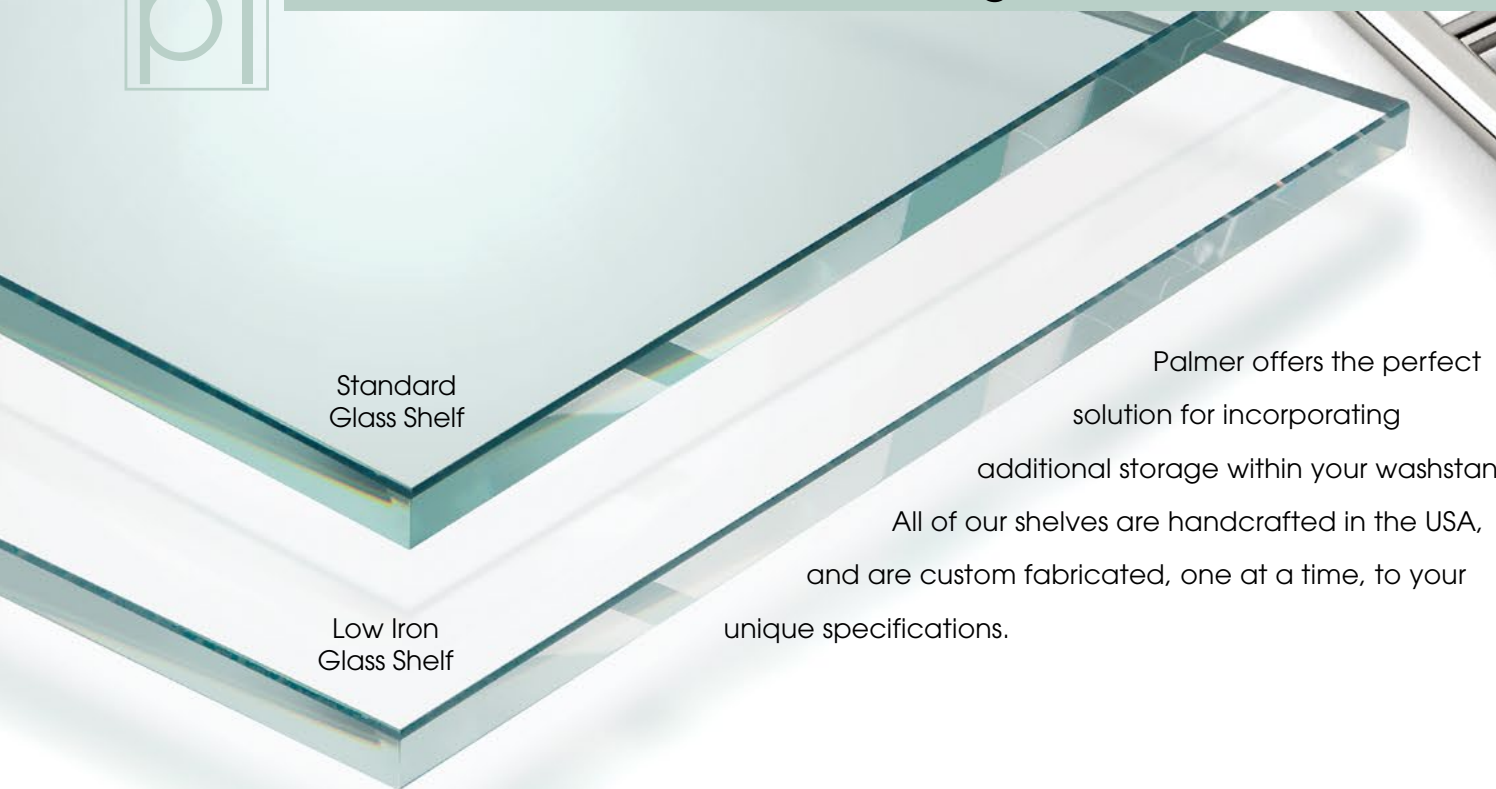
Styles	Images	Details
<i>Classic Collection</i>		
T Tapered Foot	12	48
C Decorative Collar	13	52
BL Ball Foot	14	56
B Bun Foot	15	60
<i>Traditional Collection</i>		
E Essex	16	64
W Westport	17	66
CAP Capital	18	68
K Kingston	19	70
V Victorian	20	72
P Providence	21	74
REN Renaissance	22	76
PREN Petite Renaissance	23	77
N Newport	24	78
BAY Bayonne	25	80
FR Franklin	25	81
EM Embry	26	82
SH Soho	27	83
<i>Modern Collection</i>		
S Studio	28	84
M Minimal	29	90
MET Metro	30	92
MOD Modern	31	96
SQ Square	32	98
L Linear	33	100
J Jamestown	34	101
BR Bristol	35	102
<i>Wall Mount Collection</i>		
REG Regency	36	103
A Apex	37	104
SG Signature	38	105

Finishes, Options & Accessories

Finishes & Materials	40	106
Shelving & Supports	42	110
Options & Accessories	44	112

Appendices

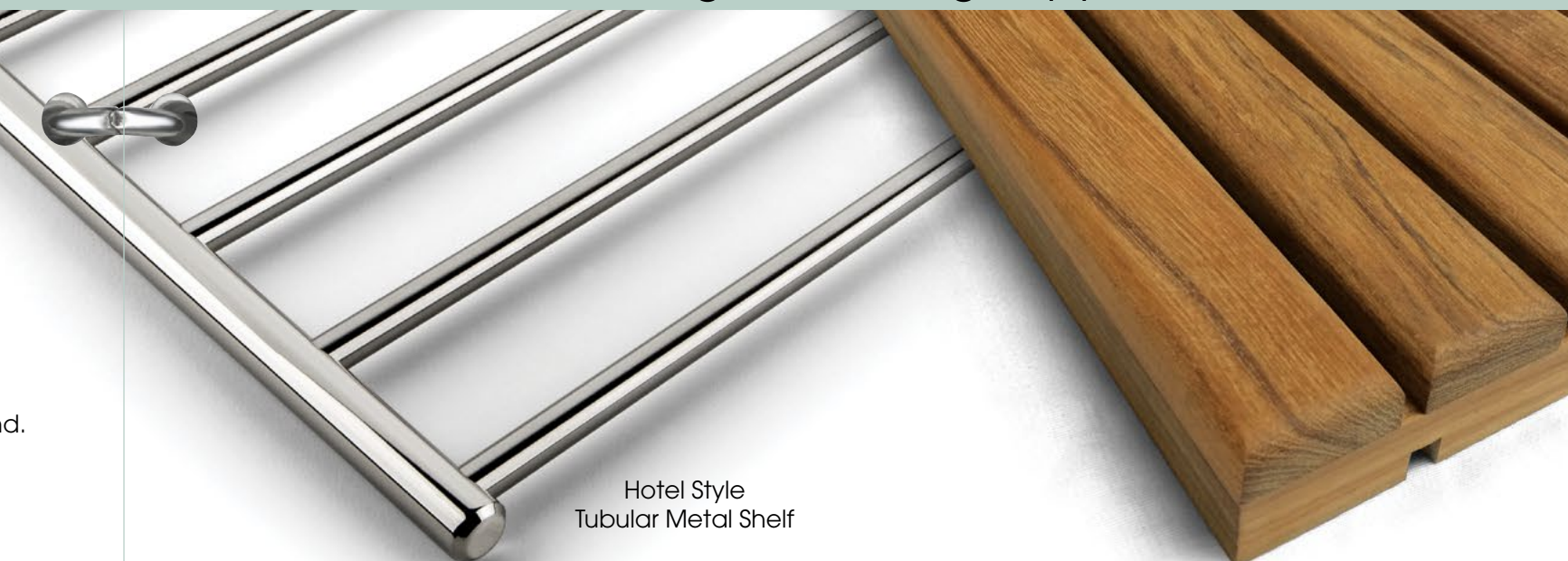
Dealers & Resources	116
Estimates & Orders	117
China Sinks	119
Anatomy of a Leg System	120
Tubing Diameter Reference	121



Standard Glass Shelf

Low Iron Glass Shelf

Palmer offers the perfect solution for incorporating additional storage within your washstand. All of our shelves are handcrafted in the USA, and are custom fabricated, one at a time, to your unique specifications.



Hotel Style Tubular Metal Shelf

Teak Wood Shelf



Rail Style Shelf Support

for use with:

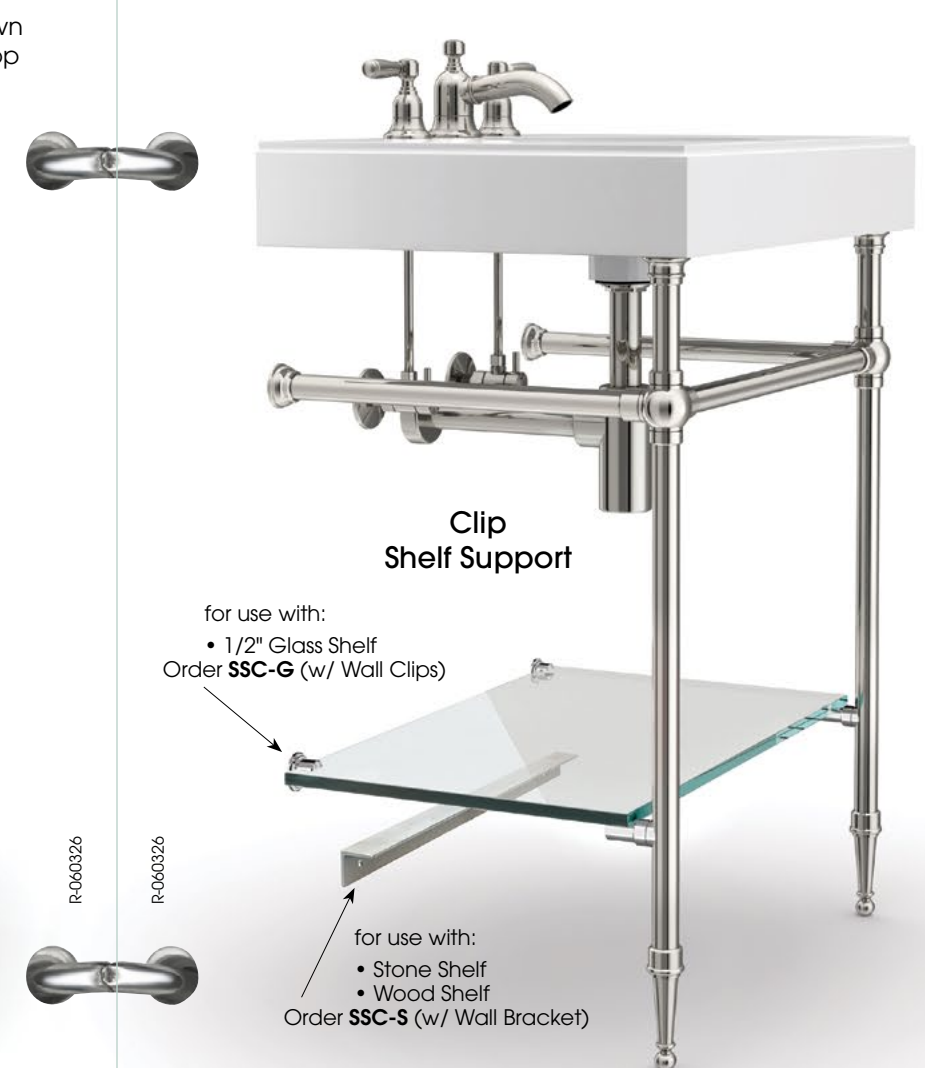
- Hotel Shelf
- Glass Shelf
- Teak Shelf
- Stone Shelf



Low Profile Shelf Support

for use with:

- Hotel Shelf
- Glass Shelf
- Teak Shelf
- Stone Shelf



Clip Shelf Support

for use with:

- 1/2" Glass Shelf
- Order **SSC-G** (w/ Wall Clips)

for use with:

- Stone Shelf
 - Wood Shelf
- Order **SSC-S** (w/ Wall Bracket)



Split Collar Shelf Support

for use with:

- Stone Shelf
- Wood Shelf

stone shelf provided by others

Palmer Industries has engineered four unique shelf support systems to meet your shelving needs.

Styles	Images	Details
Classic Collection		
T Tapered Foot	12	48
C Decorative Collar	13	52
BL Ball Foot	14	56
B Bun Foot	15	60
Traditional Collection		
E Essex	16	64
W Westport	17	66
CAP Capital	18	68
K Kingston	19	70
V Victorian	20	72
P Providence	21	74
REN Renaissance	22	76
PREN Petite Renaissance	23	77
N Newport	24	78
BAY Bayonne	25	80
FR Franklin	25	81
EM Embry	26	82
SH Soho	27	83
Modern Collection		
S Studio	28	84
M Minimal	29	90
MET Metro	30	92
MOD Modern	31	96
SQ Square	32	98
L Linear	33	100
J Jamestown	34	101
BR Bristol	35	102
Wall Mount Collection		
REG Regency	36	103
A Apex	37	104
SG Signature	38	105

Finishes, Options & Accessories

Finishes & Materials	40	106
Shelving & Supports	42	110
Options & Accessories	44	112

Appendices

Dealers & Resources	116
Estimates & Orders	117
China Sinks	119
Anatomy of a Leg System	120
Tubing Diameter Reference	121



Solid Acrylic Rod

Solid Brass Wall Bracket finished to match legs

Palmer Custom Mirror Supports

Front Riser

Curved Crossbar

Toilet Paper Holder

Hammered Ball Fitting

Auxiliary Towel Rail

Styles		Images	Details
<i>Classic Collection</i>			
T	Tapered Foot	12	48
C	Decorative Collar	13	52
BL	Ball Foot	14	56
B	Bun Foot	15	60
<i>Traditional Collection</i>			
E	Essex	16	64
W	Westport	17	66
CAP	Capital	18	68
K	Kingston	19	70
V	Victorian	20	72
P	Providence	21	74
REN	Renaissance	22	76
PREN	Petite Renaissance	23	77
N	Newport	24	78
BAY	Bayonne	25	80
FR	Franklin	25	81
EM	Embry	26	82
SH	Soho	27	83
<i>Modern Collection</i>			
S	Studio	28	84
M	Minimal	29	90
MET	Metro	30	92
MOD	Modern	31	96
SQ	Square	32	98
L	Linear	33	100
J	Jamestown	34	101
BR	Bristol	35	102
<i>Wall Mount Collection</i>			
REG	Regency	36	103
A	Apex	37	104
SG	Signature	38	105

Finishes, Options & Accessories

Finishes & Materials	40	106
Shelving & Supports	42	110
Options & Accessories	44	112

Appendices

Dealers & Resources	116
Estimates & Orders	117
China Sinks	119
Anatomy of a Leg System	120
Tubing Diameter Reference	121

1½" Diameter

Split Diameter Tubing

1" Diameter

R-060326

R-060326

SPECIFICATIONS

by Style



photo: Ansel Olsen

Custom Victorian



Specifications Guide - STYLE INDEX

Classic Collection

T	Tapered Foot	48
C	Decorative Collar	52
BL	Ball Foot	56
B	Bun Foot	60

Traditional Collection

E	Essex	64
W	Westport	66
CAP	Capital	68
K	Kingston	70
V	Victorian	72
P	Providence	74
REN	Renaissance	76
PREN	Petite Ren	77
N	Newport	78
BAY	Bayonne	80
FR	Franklin	81
EM	Embry	82
SH	Soho	83

Modern Collection

S	Studio	84
M	Minimal	90
MET	Metro	92
MOD	Modern	96
SQ	Square	98
L	Linear	100
J	Jamestown	101
BR	Bristol	102

Wall Mount Collection

REG	Regency	103
A	Apex	104
SG	Signature	105

Table of Contents

Styles	Images	Details
<i>Classic Collection</i>		
T Tapered Foot	12	48
C Decorative Collar	13	52
BL Ball Foot	14	56
B Bun Foot	15	60
<i>Traditional Collection</i>		
E Essex	16	64
W Westport	17	66
CAP Capital	18	68
K Kingston	19	70
V Victorian	20	72
P Providence	21	74
REN Renaissance	22	76
PREN Petite Renaissance	23	77
N Newport	24	78
BAY Bayonne	25	80
FR Franklin	25	81
EM Embry	26	82
SH Soho	27	83
<i>Modern Collection</i>		
S Studio	28	84
M Minimal	29	90
MET Metro	30	92
MOD Modern	31	96
SQ Square	32	98
L Linear	33	100
J Jamestown	34	101
BR Bristol	35	102
<i>Wall Mount Collection</i>		
REG Regency	36	103
A Apex	37	104
SG Signature	38	105
<i>Finishes, Options & Accessories</i>		
Finishes & Materials	40	106
Shelving & Supports	42	110
Options & Accessories	44	112
<i>Appendices</i>		
Dealers & Resources		116
Estimates & Orders		117
China Sinks		119
Anatomy of a Leg System		120
Tubing Diameter Reference		121

full specifications & CAD drawings for all standard models are available online at palmerindustries.com



Tapered Foot

SEE PHOTO ON PG. 12



LEG SYSTEM CONFIGURATIONS

1.0" DIAMETER TUBING

See page 48 for 1.5" diameter

SELECT LEG SYSTEM CONFIGURATION

choose the configuration that best suits your counter size and number of sinks

1-LEG
ANY WIDTH COUNTER
Wall Bracket not included with single legs - see pg. 114
32" OR SPECIFY
1"

2-LEG
UP TO 60" W COUNTERS
1 OR 2 SINKS
Standard Counter Size: 36"W x 24"D
32" OR SPECIFY
32" OR SPECIFY
Wall Bracket
Front View
22" OR SPECIFY
Optional Decorative Rear Risers
Side View
1"

3-LEG
UP TO 90" W COUNTERS
2 SINKS
Standard Counter Size: 72"W x 24"D
32" OR SPECIFY
Wall Bracket
Includes Center Wall Return
68" OR SPECIFY
Front View
22" OR SPECIFY
Optional Decorative Rear Risers
Side View
1"

4-LEG
UP TO 60" W COUNTERS
1 OR 2 SINKS
Standard Counter Size: 36"W x 24"D
32" OR SPECIFY
Wall Bracket
32" OR SPECIFY
Front View
22" OR SPECIFY
Side View
1"

5-LEG
UP TO 90" W COUNTERS
2 SINKS
Standard Counter Size: 72"W x 24"D
32" OR SPECIFY
Wall Bracket
Includes Center Wall Return
68" OR SPECIFY
Front View
22" OR SPECIFY
Side View
1"

Standard Wall Bracket(s) included with all leg systems
Custom Configurations are available - if you don't see what you want please call Palmer Customer Support

Tapered Foot

SEE PHOTO ON PG. 12



SPECIFICATIONS

1.0" DIAMETER TUBING

See page 49 for 1.5" diameter

MODEL NUMBERS FOR LEG SYSTEM

LEGS	DIA	MODEL	DESCRIPTION
1-LEG	1.0"	T100	LEG SINGLE 1.0" TAPERED FOOT
2-LEG	1.0"	LS21T	LEG SYS 2-LEG 1.0" TAPERED FOOT w/REAR RISERS
		LS21TNR	LEG SYS 2-LEG 1.0" TAPERED FOOT NO REAR RISERS
3-LEG	1.0"	LS31T	LEG SYS 3-LEG 1.0" TAPERED FOOT w/REAR RISERS
		LS31TNR	LEG SYS 3-LEG 1.0" TAPERED FOOT NO REAR RISERS
4-LEG	1.0"	LS41T	LEG SYS 4-LEG 1.0" TAPERED FOOT
5-LEG	1.0"	LS51T	LEG SYS 5-LEG 1.0" TAPERED FOOT

Available Finishes

AVAILABLE IN ALL 16 PALMER FINISHES
please see page 106 for details



can be field cut to reduce size

* front riser(s) should be considered for counters 48" or wider (see pg. 112)

COMPATIBLE OPTIONS & ACCESSORIES

ONLY the options & accessories listed below may be used with this TAPERED FOOT style

TURN TO OPTIONS PAGE 110

Please select only from the Options & Accessories listed here for use with this TAPERED FOOT style



Turn to the Options & Finishes Tab Page for Details

Towel Shelf Options:

- Tubular Metal Shelf (TS)
- Glass Shelf (GS)
- Teak Wood Shelf (WS)

Shelf Support Options: required for all shelves

- Rail Shelf Support (SS_R)
- Low Profile Shelf Support (SS_LP)
- Clip Shelf Support (SS_C)
- Split Collar Shelf Support (SS_SC)

Additional Options & Accessories:

- Front Riser (FR)
- ADA Compliant Configuration (ADA)
- Curved Crossbar (CURV)
- Reeded Tubing (RT)
- Hammered Ball Fittings (HB)
- Wall Brackets: non-standard (WB)
- Auxiliary Towel Rail (TR)
- TP Holder (TP)

For sizes larger than shown, and/or custom configurations, please contact Palmer for a quote

Table of Contents

Styles	Images	Details
Classic Collection		
T Tapered Foot	12	48
C Decorative Collar	13	52
BL Ball Foot	14	56
B Bun Foot	15	60
Traditional Collection		
E Essex	16	64
W Westport	17	66
CAP Capital	18	68
K Kingston	19	70
V Victorian	20	72
P Providence	21	74
REN Renaissance	22	76
PREN Petite Renaissance	23	77
N Newport	24	78
BAY Bayonne	25	80
FR Franklin	25	81
EM Embry	26	82
SH Soho	27	83
Modern Collection		
S Studio	28	84
M Minimal	29	90
MET Metro	30	92
MOD Modern	31	96
SQ Square	32	98
L Linear	33	100
J Jamestown	34	101
BR Bristol	35	102
Wall Mount Collection		
REG Regency	36	103
A Apex	37	104
SG Signature	38	105

Finishes, Options & Accessories

Finishes & Materials	40	106
Shelving & Supports	42	110
Options & Accessories	44	112

Appendices

Dealers & Resources	116
Estimates & Orders	117
China Sinks	119
Anatomy of a Leg System	120
Tubing Diameter Reference	121



SEE PHOTO ON PG. 13



1.0" DIAMETER TUBING

See page 52 for 1.5" diameter

SELECT LEG SYSTEM CONFIGURATION

choose the configuration that best suits your counter size and number of sinks

1-LEG
ANY WIDTH COUNTER
Wall Bracket not included with single legs - see pg. 114
32" OR SPECIFY
1"

2-LEG
UP TO 60" W COUNTERS
1 OR 2 SINKS
Standard Counter Size: 36"W x 24"D
32" OR SPECIFY
32" OR SPECIFY
22" OR SPECIFY
Optional Decorative Rear Risers
Front View
Side View

3-LEG
UP TO 90" W COUNTERS
2 SINKS
Standard Counter Size: 72"W x 24"D
32" OR SPECIFY
68" OR SPECIFY
22" OR SPECIFY
Optional Decorative Rear Risers
Includes Center Wall Return
Front View
Side View

4-LEG
UP TO 60" W COUNTERS
1 OR 2 SINKS
Standard Counter Size: 36"W x 24"D
32" OR SPECIFY
32" OR SPECIFY
22" OR SPECIFY
Front View
Side View

5-LEG
UP TO 90" W COUNTERS
2 SINKS
Standard Counter Size: 72"W x 24"D
32" OR SPECIFY
68" OR SPECIFY
22" OR SPECIFY
Includes Center Wall Return
Front View
Side View

Standard Wall Bracket(s) included with all leg systems
Custom Configurations are available - if you don't see what you want please call Palmer Customer Support

SEE PHOTO ON PG. 13



1.0" DIAMETER TUBING

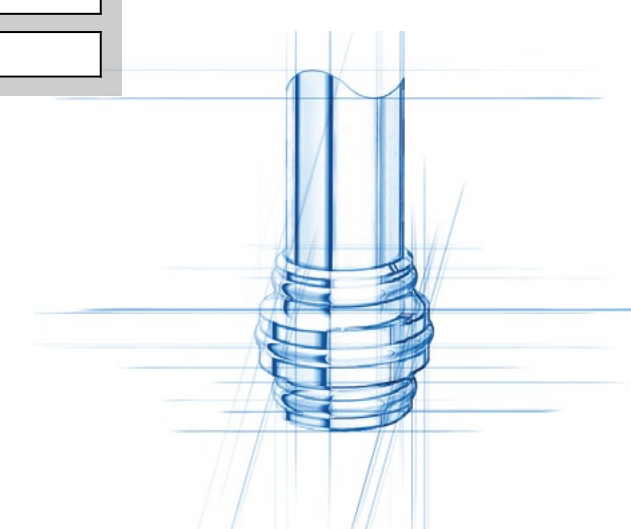
See page 53 for 1.5" diameter

MODEL NUMBERS FOR LEG SYSTEM

LEGS	DIA	MODEL	DESCRIPTION
1-LEG	1.0"	C100	LEG SINGLE 1.0" DEC COLLAR
2-LEG	1.0"	LS21C	LEG SYS 2-LEG 1.0" DEC COLLAR w/REAR RISERS
		LS21CNR	LEG SYS 2-LEG 1.0" DEC COLLAR NO REAR RISERS
3-LEG	1.0"	LS31C	LEG SYS 3-LEG 1.0" DEC COLLAR w/REAR RISERS
		LS31CNR	LEG SYS 3-LEG 1.0" DEC COLLAR NO REAR RISERS
4-LEG	1.0"	LS41C	LEG SYS 4-LEG 1.0" DEC COLLAR
5-LEG	1.0"	LS51C	LEG SYS 5-LEG 1.0" DEC COLLAR

Available Finishes

AVAILABLE IN ALL 16 PALMER FINISHES
please see page 106 for details



can be field cut to reduce size

* front riser(s) should be considered for counters 48" or wider (see pg. 112)

COMPATIBLE OPTIONS & ACCESSORIES

ONLY the options & accessories listed below may be used with this DECORATIVE COLLAR style

TURN TO OPTIONS PAGE 110

Please select only from the Options & Accessories listed here for use with this DECORATIVE COLLAR style



Turn to the Options & Finishes Tab Page for Details

Towel Shelf Options:

- Tubular Metal Shelf (TS)
- Glass Shelf (GS)
- Teak Wood Shelf (WS)

Shelf Support Options: required for all shelves

- Rail Shelf Support (SS_R)
- Low Profile Shelf Support (SS_LP)
- Clip Shelf Support (SS_C)
- Split Collar Shelf Support (SS_SC)

Additional Options & Accessories:

- Front Riser (FR)
- ADA Compliant Configuration (ADA)
- Curved Crossbar (CURV)
- Reeded Tubing (RT)
- Hammered Ball Fittings (HB)
- Wall Brackets: non-standard (WB)
- Auxiliary Towel Rail (TR)
- TP Holder (TP)

Table of Contents

Styles	Images	Details
<i>Classic Collection</i>		
T Tapered Foot	12	48
C Decorative Collar	13	52
BL Ball Foot	14	56
B Bun Foot	15	60
<i>Traditional Collection</i>		
E Essex	16	64
W Westport	17	66
CAP Capital	18	68
K Kingston	19	70
V Victorian	20	72
P Providence	21	74
REN Renaissance	22	76
PREN Petite Renaissance	23	77
N Newport	24	78
BAY Bayonne	25	80
FR Franklin	25	81
EM Embry	26	82
SH Soho	27	83
<i>Modern Collection</i>		
S Studio	28	84
M Minimal	29	90
MET Metro	30	92
MOD Modern	31	96
SQ Square	32	98
L Linear	33	100
J Jamestown	34	101
BR Bristol	35	102
<i>Wall Mount Collection</i>		
REG Regency	36	103
A Apex	37	104
SG Signature	38	105

Finishes, Options & Accessories

Finishes & Materials	40	106
Shelving & Supports	42	110
Options & Accessories	44	112

Appendices

Dealers & Resources	116
Estimates & Orders	117
China Sinks	119
Anatomy of a Leg System	120
Tubing Diameter Reference	121

For sizes larger than shown, and/or custom configurations, please contact Palmer for a quote



Ball Foot

SEE PHOTO ON PG. 14



LEG SYSTEM CONFIGURATIONS

1.5" DIAMETER TUBING

See page 58 for 1.0" diameter

SELECT LEG SYSTEM CONFIGURATION

choose the configuration that best suits your counter size and number of sinks

1-LEG

ANY WIDTH COUNTER

Wall Bracket not included with single legs - see pg. 114

2-LEG

UP TO 60" W COUNTERS

1 OR 2 SINKS

Standard Counter Size: 36"W x 24"D

3-LEG

UP TO 90" W COUNTERS

2 SINKS

Standard Counter Size: 72"W x 24"D

4-LEG

UP TO 60" W COUNTERS

1 OR 2 SINKS

Standard Counter Size: 36"W x 24"D

5-LEG

UP TO 90" W COUNTERS

2 SINKS

Standard Counter Size: 72"W x 24"D

Standard Wall Bracket(s) included with all leg systems
Custom Configurations are available - if you don't see what you want please call Palmer Customer Support

Ball Foot

SEE PHOTO ON PG. 14



SPECIFICATIONS

1.5" DIAMETER TUBING

See page 59 for 1.0" diameter



MODEL NUMBERS FOR LEG SYSTEM

LEGS	DIA	MODEL	DESCRIPTION
1-LEG	1.5"	BL150	LEG SINGLE 1.5" BALL FOOT
2-LEG	1.5"	LS2BL	LEG SYS 2-LEG 1.5" BALL FOOT w/REAR RISERS
		LS2BLNR	LEG SYS 2-LEG 1.5" BALL FOOT NO REAR RISERS
3-LEG	1.5"	LS3BL	LEG SYS 3-LEG 1.5" BALL FOOT w/REAR RISERS
		LS3BLNR	LEG SYS 3-LEG 1.5" BALL FOOT NO REAR RISERS
4-LEG	1.5"	LS4BL	LEG SYS 4-LEG 1.5" BALL FOOT
5-LEG	1.5"	LS5BL	LEG SYS 5-LEG 1.5" BALL FOOT

Available Finishes

AVAILABLE IN ALL 16 PALMER FINISHES
please see page 106 for details



can be field cut to reduce size

* front riser(s) should be considered for counters 48" or wider (see pg. 112)

COMPATIBLE OPTIONS & ACCESSORIES

ONLY the options & accessories listed below may be used with this BALL FOOT style

TURN TO OPTIONS PAGE 110

Please select only from the Options & Accessories listed here for use with this BALL FOOT style



Turn to the Options & Finishes Tab Page for Details

Towel Shelf Options:

- Tubular Metal Shelf (TS)
- Glass Shelf (GS)
- Teak Wood Shelf (WS)

Shelf Support Options: required for all shelves

- Rail Shelf Support (SS_R)
- Low Profile Shelf Support (SS_LP)
- Clip Shelf Support (SS_C)
- Split Collar Shelf Support (SS_SC)

Additional Options & Accessories:

- Front Riser (FR)
- Split Diameter (SD)
- ADA Compliant Configuration (ADA)
- Curved Crossbar (CURV)
- Solid Acrylic Rod (ACR)
- Reeded Tubing (RT)
- Hammered Ball Fittings (HB)
- Wall Brackets: non-standard (WB)
- Auxiliary Towel Rail (TR)
- TP Holder (TP)

Table of Contents

Styles

Style	Images	Details
Classic Collection		
T Tapered Foot	12	48
C Decorative Collar	13	52
BL Ball Foot	14	56
B Bun Foot	15	60
Traditional Collection		
E Essex	16	64
W Westport	17	66
CAP Capital	18	68
K Kingston	19	70
V Victorian	20	72
P Providence	21	74
REN Renaissance	22	76
PREN Petite Renaissance	23	77
N Newport	24	78
BAY Bayonne	25	80
FR Franklin	25	81
EM Embry	26	82
SH Soho	27	83
Modern Collection		
S Studio	28	84
M Minimal	29	90
MET Metro	30	92
MOD Modern	31	96
SQ Square	32	98
L Linear	33	100
J Jamestown	34	101
BR Bristol	35	102
Wall Mount Collection		
REG Regency	36	103
A Apex	37	104
SG Signature	38	105

Finishes, Options & Accessories

Finishes & Materials	40	106
Shelving & Supports	42	110
Options & Accessories	44	112

Appendices

Dealers & Resources	116
Estimates & Orders	117
China Sinks	119
Anatomy of a Leg System	120
Tubing Diameter Reference	121

For sizes larger than shown, and/or custom configurations, please contact Palmer for a quote



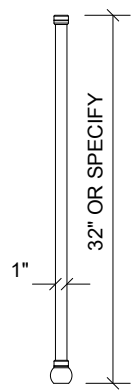
SELECT LEG SYSTEM CONFIGURATION

choose the configuration that best suits your counter size and number of sinks

1-LEG

ANY WIDTH COUNTER

Wall Bracket not included with single legs - see pg. 114

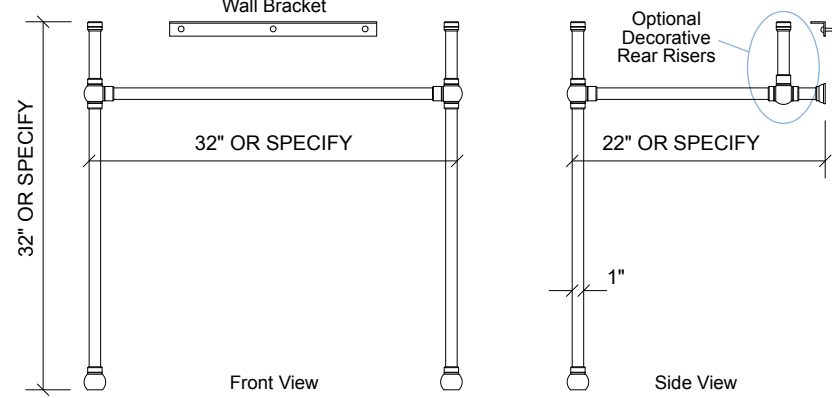


2-LEG

UP TO 60" W COUNTERS

1 OR 2 SINKS

Standard Counter Size: 36"W x 24"D

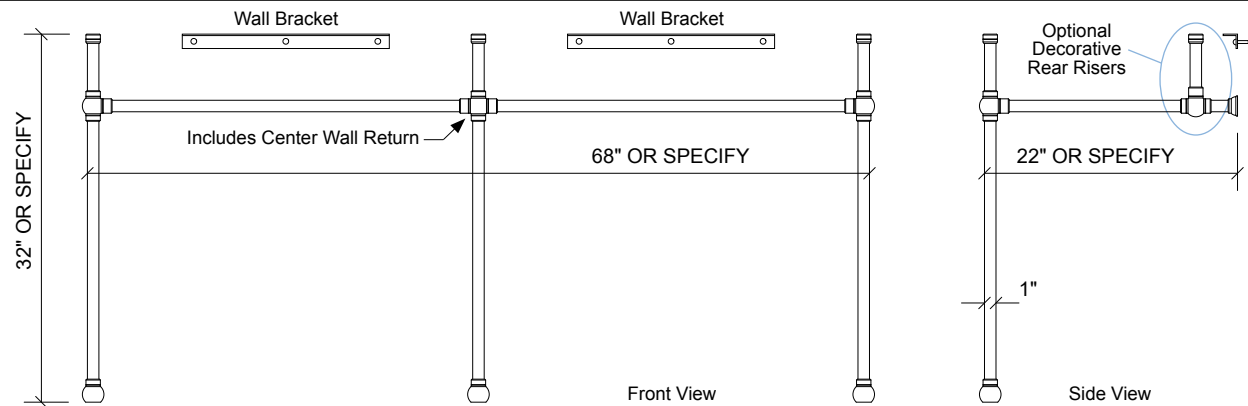


3-LEG

UP TO 90" W COUNTERS

2 SINKS

Standard Counter Size: 72"W x 24"D

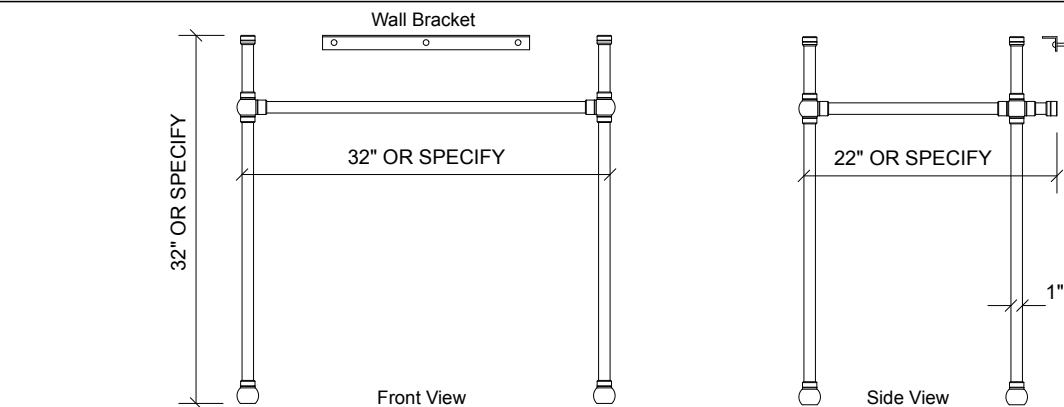


4-LEG

UP TO 60" W COUNTERS

1 OR 2 SINKS

Standard Counter Size: 36"W x 24"D

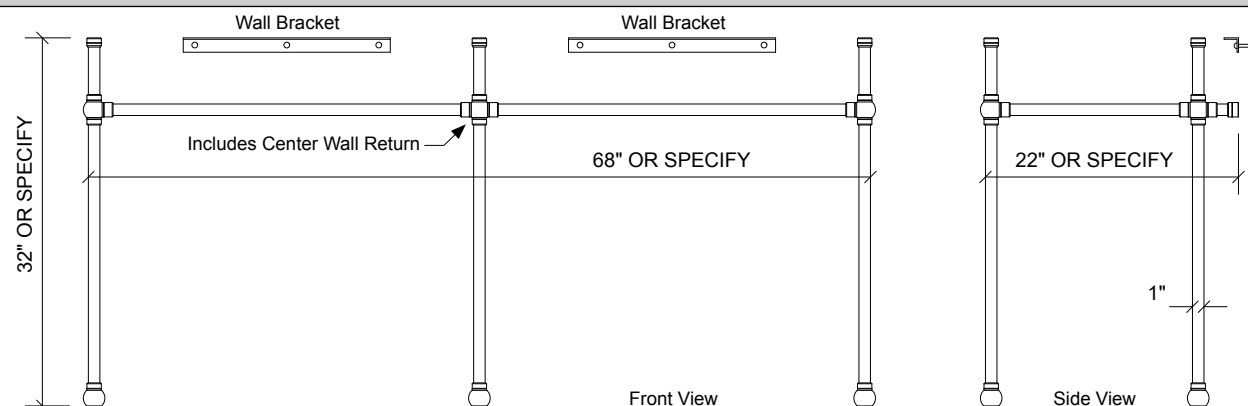


5-LEG

UP TO 90" W COUNTERS

2 SINKS

Standard Counter Size: 72"W x 24"D



Standard Wall Bracket(s) included with all leg systems

Custom Configurations are available - if you don't see what you want please call Palmer Customer Support

MODEL NUMBERS FOR LEG SYSTEM

Table with columns: LEGS, DIA, MODEL, DESCRIPTION. Lists models for 1-5 leg systems.

Available Finishes

AVAILABLE IN ALL 16 PALMER FINISHES please see page 106 for details



can be field cut to reduce size

* front riser(s) should be considered for counters 48" or wider (see pg. 112)

COMPATIBLE OPTIONS & ACCESSORIES

ONLY the options & accessories listed below may be used with this BALL FOOT style

TURN TO OPTIONS PAGE 110

Please select only from the Options & Accessories listed here for use with this BALL FOOT style



Turn to the Options & Finishes Tab Page for Details

Towel Shelf Options:

- Tubular Metal Shelf (TS), Glass Shelf (GS), Teak Wood Shelf (WS)

Shelf Support Options: required for all shelves

- Rail Shelf Support (SS_R), Low Profile Shelf Support (SS_LP), Clip Shelf Support (SS_C), Split Collar Shelf Support (SS_SC)

Additional Options & Accessories:

- ADA Compliant Configuration (ADA), Curved Crossbar (CURV), Reeded Tubing (RT), Hammered Ball Fittings (HB), Wall Brackets: non-standard (WB), Auxiliary Towel Rail (TR), TP Holder (TP)

For sizes larger than shown, and/or custom configurations, please contact Palmer for a quote

Table of Contents

Styles

Classic Collection

- Tapered Foot, Decorative Collar, Ball Foot, Bun Foot

Traditional Collection

- Essex, Westport, Capital, Kingston, Victorian, Providence, Renaissance, Petite Renaissance, Newport, Bayonne, Franklin, Embry, Soho

Modern Collection

- Studio, Minimal, Metro, Modern, Square, Linear, Jamestown, Bristol

Wall Mount Collection

- Regency, Apex, Signature

Finishes, Options & Accessories

- Finishes & Materials, Shelving & Supports, Options & Accessories

Appendices

- Dealers & Resources, Estimates & Orders, China Sinks, Anatomy of a Leg System, Tubing Diameter Reference

Images Details

Table with columns: Images, Details. Lists page numbers for each style.



SELECT LEG SYSTEM CONFIGURATION

choose the configuration that best suits your counter size and number of sinks

1-LEG
ANY WIDTH COUNTER
Wall Bracket not included with single legs - see pg. 114
1 1/2"
32" OR SPECIFY

2-LEG
UP TO 60" W COUNTERS
1 OR 2 SINKS
Standard Counter Size: 36"W x 24"D
32" OR SPECIFY
32" OR SPECIFY
Wall Bracket
Optional Decorative Rear Risers
22" OR SPECIFY
1 1/2"
Front View
Side View

3-LEG
UP TO 90" W COUNTERS
2 SINKS
Standard Counter Size: 72"W x 24"D
32" OR SPECIFY
Wall Bracket
Includes Center Wall Return
68" OR SPECIFY
22" OR SPECIFY
1 1/2"
Front View
Side View

4-LEG
UP TO 60" W COUNTERS
1 OR 2 SINKS
Standard Counter Size: 36"W x 24"D
32" OR SPECIFY
Wall Bracket
32" OR SPECIFY
22" OR SPECIFY
1 1/2"
Front View
Side View

5-LEG
UP TO 90" W COUNTERS
2 SINKS
Standard Counter Size: 72"W x 24"D
32" OR SPECIFY
Wall Bracket
Includes Center Wall Return
68" OR SPECIFY
22" OR SPECIFY
1 1/2"
Front View
Side View

Standard Wall Bracket(s) included with all leg systems
Custom Configurations are available - if you don't see what you want please call Palmer Customer Support



MODEL NUMBERS FOR LEG SYSTEM

LEGS	DIA	MODEL	DESCRIPTION
1-LEG	1.5"	B150	LEG SINGLE 1.5" BUN FOOT
2-LEG	1.5"	LS2B	LEG SYS 2-LEG 1.5" BUN FOOT w/REAR RISERS
		LS2BNR	LEG SYS 2-LEG 1.5" BUN FOOT NO REAR RISERS
3-LEG	1.5"	LS3B	LEG SYS 3-LEG 1.5" BUN FOOT w/REAR RISERS
		LS3BNR	LEG SYS 3-LEG 1.5" BUN FOOT NO REAR RISERS
4-LEG	1.5"	LS4B	LEG SYS 4-LEG 1.5" BUN FOOT
5-LEG	1.5"	LS5B	LEG SYS 5-LEG 1.5" BUN FOOT

Available Finishes

AVAILABLE IN ALL 16 PALMER FINISHES
please see page 106 for details



can be field cut to reduce size

* front riser(s) should be considered for counters 48" or wider (see pg. 112)

COMPATIBLE OPTIONS & ACCESSORIES

ONLY the options & accessories listed below may be used with this BUN FOOT style

TURN TO OPTIONS PAGE 110

Please select only from the Options & Accessories listed here for use with this **BUN FOOT** style



Turn to the Options & Finishes Tab Page for Details

Towel Shelf Options:

- Tubular Metal Shelf (TS)
- Glass Shelf (GS)
- Teak Wood Shelf (WS)

Shelf Support Options:

required for all shelves

- Rail Shelf Support (SS_R)
- Low Profile Shelf Support (SS_LP)
- Clip Shelf Support (SS_C)
- Split Collar Shelf Support (SS_SC)

Additional Options & Accessories:

- Front Riser (FR)
- Split Diameter (SD)
- ADA Compliant Configuration (ADA)
- Curved Crossbar (CURV)
- Solid Acrylic Rod (ACR)
- Reeded Tubing (RT)
- Hammered Ball Fittings (HB)
- Wall Brackets: non-standard (WB)
- Auxiliary Towel Rail (TR)
- TP Holder (TP)

For sizes larger than shown, and/or custom configurations, please contact Palmer for a quote

Table of Contents

Styles	Images	Details
<i>Classic Collection</i>		
T Tapered Foot	12	48
C Decorative Collar	13	52
BL Ball Foot	14	56
B Bun Foot	15	60
<i>Traditional Collection</i>		
E Essex	16	64
W Westport	17	66
CAP Capital	18	68
K Kingston	19	70
V Victorian	20	72
P Providence	21	74
REN Renaissance	22	76
PREN Petite Renaissance	23	77
N Newport	24	78
BAY Bayonne	25	80
FR Franklin	25	81
EM Embry	26	82
SH Soho	27	83
<i>Modern Collection</i>		
S Studio	28	84
M Minimal	29	90
MET Metro	30	92
MOD Modern	31	96
SQ Square	32	98
L Linear	33	100
J Jamestown	34	101
BR Bristol	35	102
<i>Wall Mount Collection</i>		
REG Regency	36	103
A Apex	37	104
SG Signature	38	105

Finishes, Options & Accessories

Finishes & Materials	40	106
Shelving & Supports	42	110
Options & Accessories	44	112

Appendices

Dealers & Resources	116
Estimates & Orders	117
China Sinks	119
Anatomy of a Leg System	120
Tubing Diameter Reference	121



SELECT LEG SYSTEM CONFIGURATION

choose the configuration that best suits your counter size and number of sinks

1-LEG

ANY WIDTH COUNTER

Wall Bracket not included with single legs - see pg. 114

32" OR SPECIFY

1"

2-LEG

UP TO 60" W COUNTERS

1 OR 2 SINKS

Standard Counter Size: 36"W x 24"D

32" OR SPECIFY

32" OR SPECIFY

22" OR SPECIFY

1"

Front View

Side View

3-LEG

UP TO 90" W COUNTERS

2 SINKS

Standard Counter Size: 72"W x 24"D

32" OR SPECIFY

68" OR SPECIFY

22" OR SPECIFY

1"

Front View

Side View

32" OR SPECIFY

68" OR SPECIFY

22" OR SPECIFY

1"

Front View

Side View

4-LEG

UP TO 60" W COUNTERS

1 OR 2 SINKS

Standard Counter Size: 36"W x 24"D

32" OR SPECIFY

32" OR SPECIFY

22" OR SPECIFY

1"

Front View

Side View

32" OR SPECIFY

32" OR SPECIFY

22" OR SPECIFY

1"

Front View

Side View

5-LEG

UP TO 90" W COUNTERS

2 SINKS

Standard Counter Size: 72"W x 24"D

32" OR SPECIFY

68" OR SPECIFY

22" OR SPECIFY

1"

Front View

Side View

32" OR SPECIFY

68" OR SPECIFY

22" OR SPECIFY

1"

Front View

Side View

Standard Wall Bracket(s) included with all leg systems
Custom Configurations are available - if you don't see what you want please call Palmer Customer Support



MODEL NUMBERS FOR LEG SYSTEM

LEGS	DIA	MODEL	DESCRIPTION
1-LEG	1.0"	B100	LEG SINGLE 1.0" BUN FOOT
2-LEG	1.0"	LS21B	LEG SYS 2-LEG 1.0" BUN FOOT w/REAR RISERS
		LS21BNR	LEG SYS 2-LEG 1.0" BUN FOOT NO REAR RISERS
3-LEG	1.0"	LS31B	LEG SYS 3-LEG 1.0" BUN FOOT w/REAR RISERS
		LS31BNR	LEG SYS 3-LEG 1.0" BUN FOOT NO REAR RISERS
4-LEG	1.0"	LS41B	LEG SYS 4-LEG 1.0" BUN FOOT
5-LEG	1.0"	LS51B	LEG SYS 5-LEG 1.0" BUN FOOT

Available Finishes

AVAILABLE IN ALL 16 PALMER FINISHES
please see page 106 for details



can be field cut to reduce size

* front riser(s) should be considered for counters 48" or wider (see pg. 112)

COMPATIBLE OPTIONS & ACCESSORIES

ONLY the options & accessories listed below may be used with this BUN FOOT style

TURN TO OPTIONS PAGE 110

Please select only from the Options & Accessories listed here for use with this BUN FOOT style



Turn to the Options & Finishes Tab Page for Details

Towel Shelf Options:

- Tubular Metal Shelf (TS)
- Glass Shelf (GS)
- Teak Wood Shelf (WS)

Shelf Support Options: required for all shelves

- Rail Shelf Support (SS_R)
- Low Profile Shelf Support (SS_LP)
- Clip Shelf Support (SS_C)
- Split Collar Shelf Support (SS_SC)

Additional Options & Accessories:

- ADA Compliant Configuration (ADA)
- Curved Crossbar (CURV)
- Reeded Tubing (RT)
- Hammered Ball Fittings (HB)
- Wall Brackets: non-standard (WB)
- Auxiliary Towel Rail (TR)
- TP Holder (TP)

Table of Contents

Styles

Classic Collection

- T Tapered Foot
- C Decorative Collar
- BL Ball Foot
- B Bun Foot

Traditional Collection

- E Essex
- W Westport
- CAP Capital
- K Kingston
- V Victorian
- P Providence
- REN Renaissance
- PREN Petite Renaissance
- N Newport
- BAY Bayonne
- FR Franklin
- EM Embry
- SH Soho

Modern Collection

- S Studio
- M Minimal
- MET Metro
- MOD Modern
- SQ Square
- L Linear
- J Jamestown
- BR Bristol

Wall Mount Collection

- REG Regency
- A Apex
- SG Signature

Finishes, Options & Accessories

- Finishes & Materials 40 106
- Shelving & Supports 42 110
- Options & Accessories 44 112

Appendices

- Dealers & Resources 116
- Estimates & Orders 117
- China Sinks 119
- Anatomy of a Leg System 120
- Tubing Diameter Reference 121

Images
Details

- 12 48
- 13 52
- 14 56
- 15 60

- 16 64
- 17 66
- 18 68
- 19 70
- 20 72
- 21 74
- 22 76
- 23 77
- 24 78
- 25 80
- 25 81
- 26 82
- 27 83

- 28 84
- 29 90
- 30 92
- 31 96
- 32 98
- 33 100
- 34 101
- 35 102

- 36 103
- 37 104
- 38 105

For sizes larger than shown, and/or custom configurations, please contact Palmer for a quote

R-060326

R-060326





Styles

Images
Details

Classic Collection		
T	Tapered Foot	12 48
C	Decorative Collar	13 52
BL	Ball Foot	14 56
B	Bun Foot	15 60

Traditional Collection		
E	Essex	16 64
W	Westport	17 66
CAP	Capital	18 68
K	Kingston	19 70
V	Victorian	20 72
P	Providence	21 74
REN	Renaissance	22 76
PREN	Petite Renaissance	23 77
N	Newport	24 78
BAY	Bayonne	25 80
FR	Franklin	25 81
EM	Embry	26 82
SH	Soho	27 83

Modern Collection		
S	Studio	28 84
M	Minimal	29 90
MET	Metro	30 92
MOD	Modern	31 96
SQ	Square	32 98
L	Linear	33 100
J	Jamestown	34 101
BR	Bristol	35 102

Wall Mount Collection		
REG	Regency	36 103
A	Apex	37 104
SG	Signature	38 105

Finishes, Options & Accessories

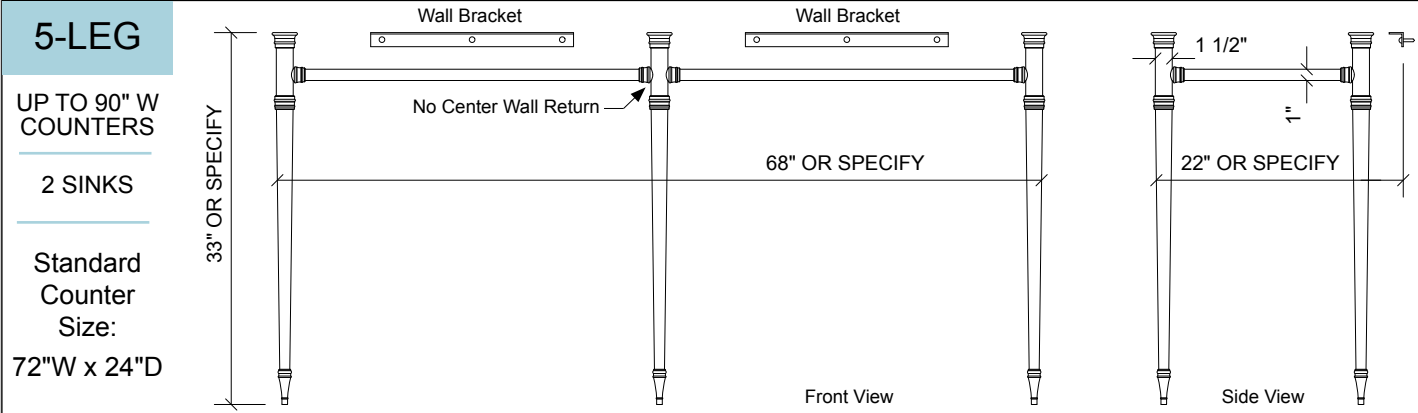
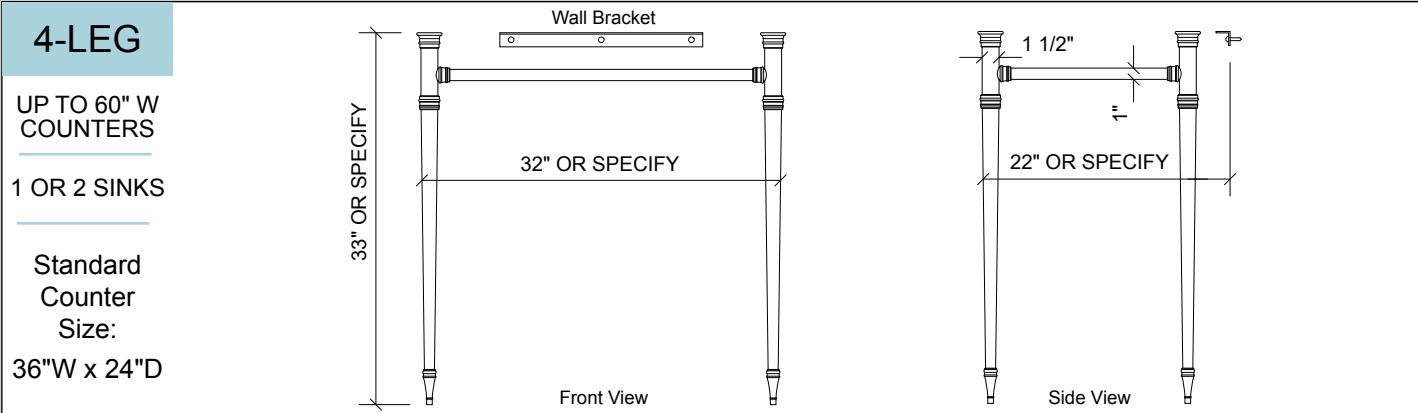
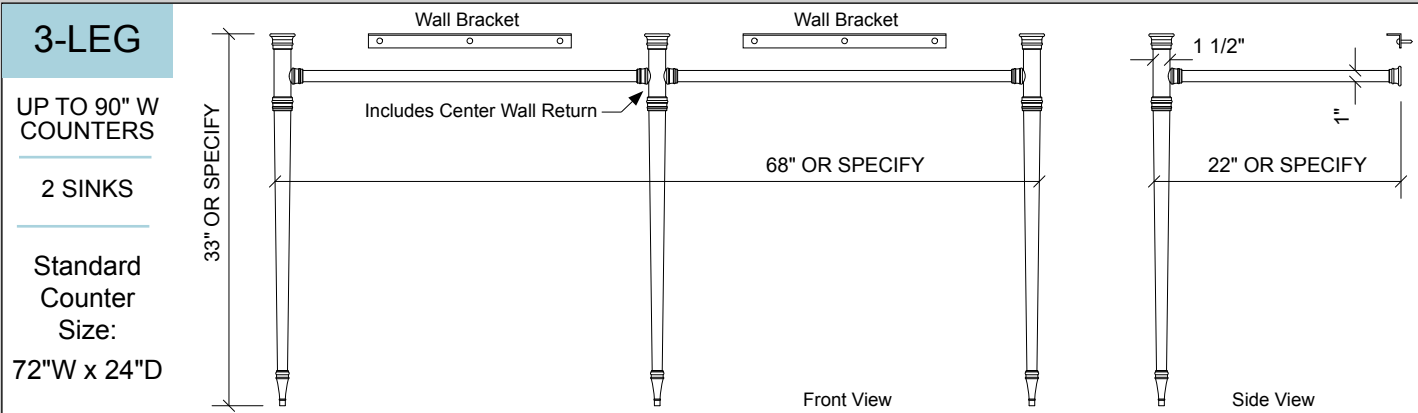
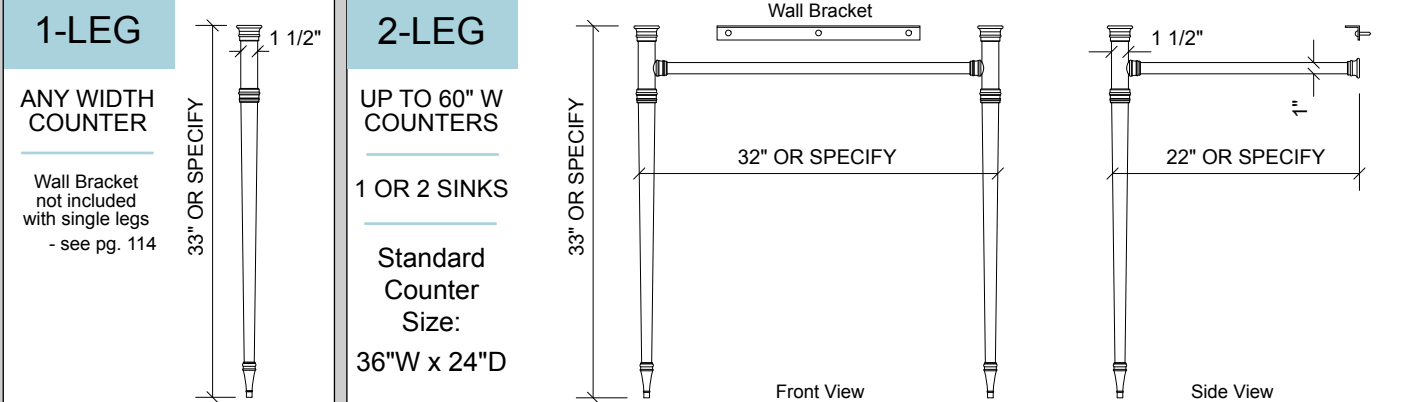
Finishes & Materials	40	106
Shelving & Supports	42	110
Options & Accessories	44	112

Appendices

Dealers & Resources	116
Estimates & Orders	117
China Sinks	119
Anatomy of a Leg System	120
Tubing Diameter Reference	121

SELECT LEG SYSTEM CONFIGURATION

choose the configuration that best suits your counter size and number of sinks



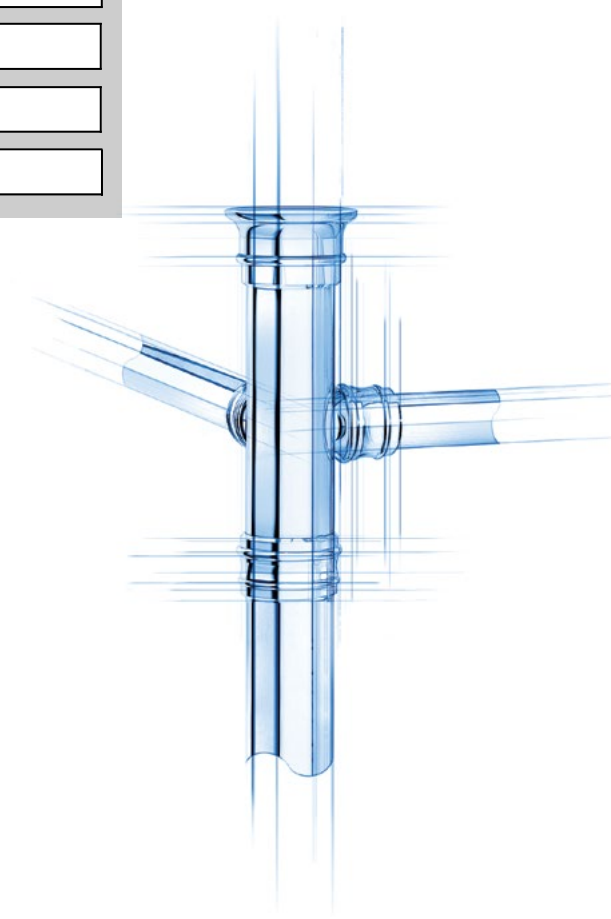
Standard Wall Bracket(s) included with all leg systems
Custom Configurations are available - if you don't see what you want
please call Palmer Customer Support

MODEL NUMBERS FOR LEG SYSTEM

LEGS	DIA	MODEL	DESCRIPTION
1-LEG	1.5"	E150	LEG SINGLE 1.5" ESSEX
2-LEG	1.5"	LS2E	LEG SYS 2-LEG 1.5" ESSEX
3-LEG	1.5"	LS3E	LEG SYS 3-LEG 1.5" ESSEX
4-LEG	1.5"	LS4E	LEG SYS 4-LEG 1.5" ESSEX
5-LEG	1.5"	LS5E	LEG SYS 5-LEG 1.5" ESSEX

Available Finishes

AVAILABLE IN ALL 16 PALMER FINISHES
please see page 106 for details



* the Essex style requires a minimum leg height of 33" due to the tapered leg shape
width & depth can be field cut to reduce size

COMPATIBLE OPTIONS & ACCESSORIES

ONLY the options & accessories listed below may be used with this ESSEX style

TURN TO OPTIONS
PAGE 110

Please select only from the
Options & Accessories listed here
for use with the ESSEX style



Turn to the Options & Finishes
Tab Page for Details

Towel Shelf Options:

- Tubular Metal Shelf (TS)
- Glass Shelf (GS)
- Teak Wood Shelf (WS)

Shelf Support Options:
required for all shelves

- Low Profile Shelf Support (SS_LP)
- Clip Shelf Support (SS_C)

Additional Options & Accessories:

- ADA Compliant Configuration (ADA)
- Curved Crossbar (CURV)
- Reeded Horizontal Tubing (RTH)
- Wall Brackets: non-standard (WB)
- Auxiliary Towel Rail (TR)
- TP Holder (TP)

For sizes larger than shown, and/or custom configurations, please contact Palmer for a quote



R-060326

R-060326



Styles

Images
Details

Classic Collection

T	Tapered Foot	12	48
C	Decorative Collar	13	52
BL	Ball Foot	14	56
B	Bun Foot	15	60

Traditional Collection

E	Essex	16	64
W	Westport	17	66
CAP	Capital	18	68
K	Kingston	19	70
V	Victorian	20	72
P	Providence	21	74
REN	Renaissance	22	76
PREN	Petite Renaissance	23	77
N	Newport	24	78
BAY	Bayonne	25	80
FR	Franklin	25	81
EM	Embry	26	82
SH	Soho	27	83

Modern Collection

S	Studio	28	84
M	Minimal	29	90
MET	Metro	30	92
MOD	Modern	31	96
SQ	Square	32	98
L	Linear	33	100
J	Jamestown	34	101
BR	Bristol	35	102

Wall Mount Collection

REG	Regency	36	103
A	Apex	37	104
SG	Signature	38	105

Finishes, Options & Accessories

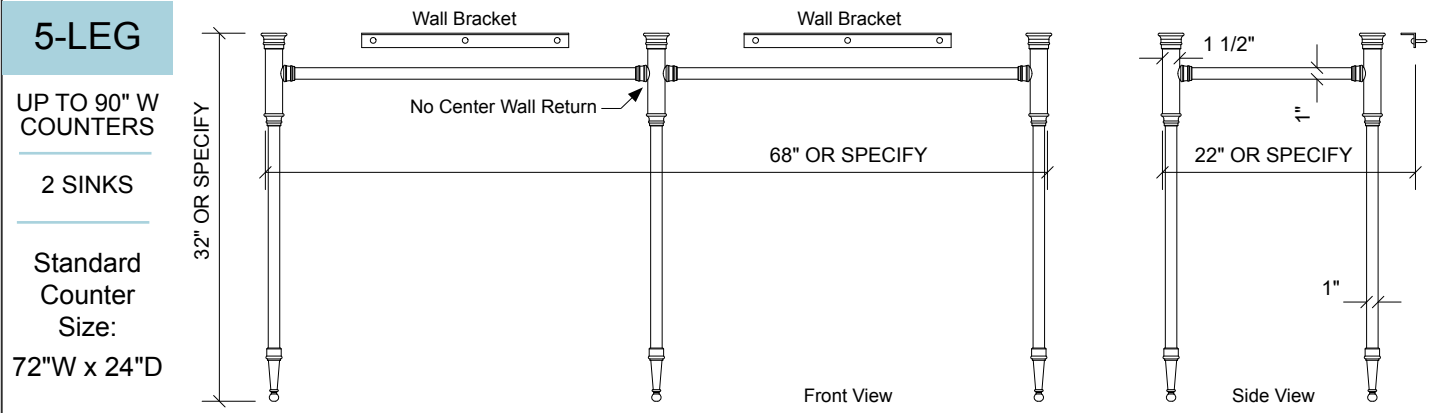
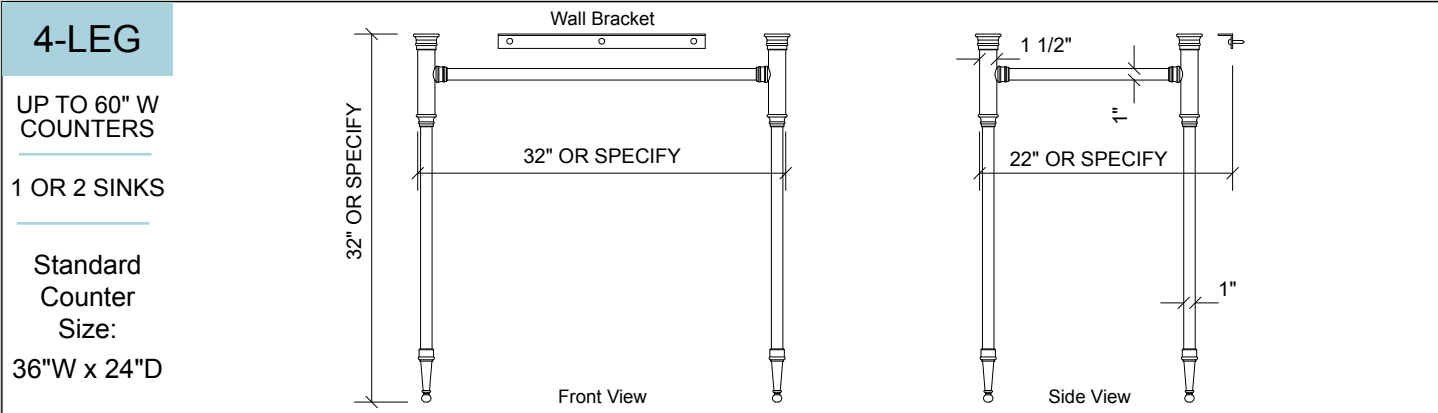
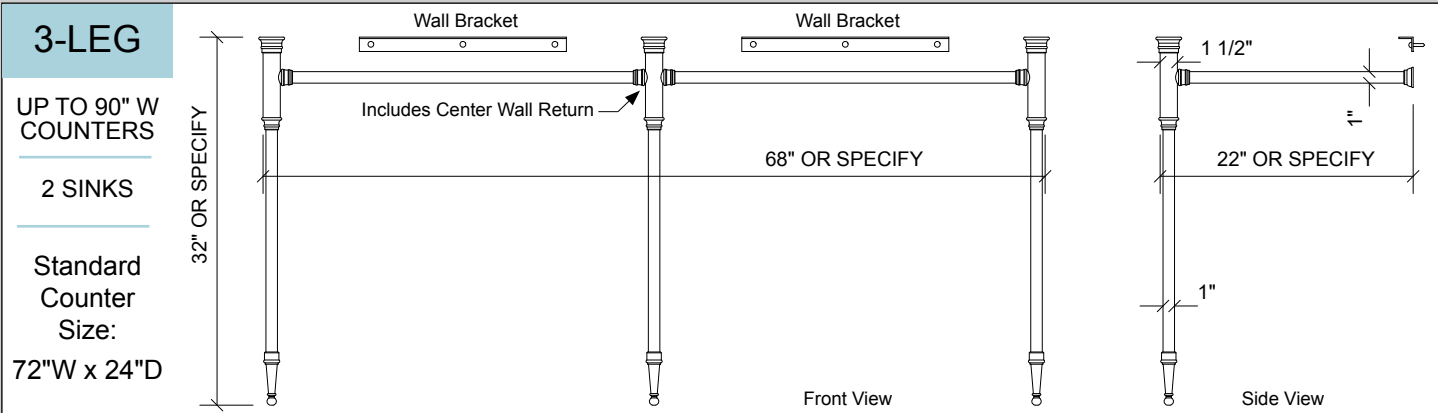
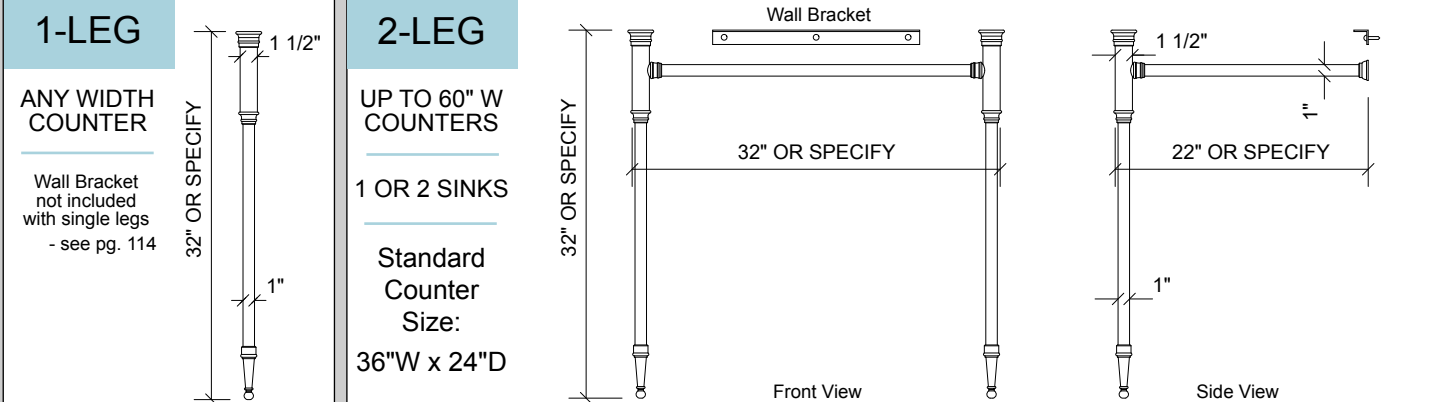
Finishes & Materials	40	106
Shelving & Supports	42	110
Options & Accessories	44	112

Appendices

Dealers & Resources	116
Estimates & Orders	117
China Sinks	119
Anatomy of a Leg System	120
Tubing Diameter Reference	121

SELECT LEG SYSTEM CONFIGURATION

choose the configuration that best suits your counter size and number of sinks



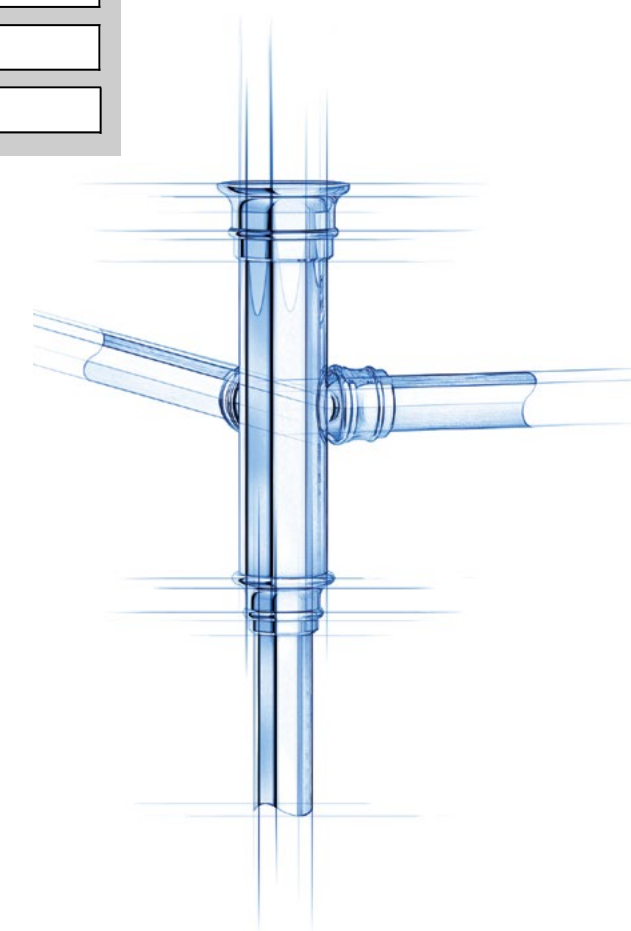
Standard Wall Bracket(s) included with all leg systems
Custom Configurations are available - if you don't see what you want
please call Palmer Customer Support

MODEL NUMBERS FOR LEG SYSTEM

LEGS	DIA	MODEL	DESCRIPTION
1-LEG	1.0"	W100	LEG SINGLE 1.0" WESTPORT
2-LEG	1.0"	LS2W	LEG SYS 2-LEG 1.0" WESTPORT
3-LEG	1.0"	LS3W	LEG SYS 3-LEG 1.0" WESTPORT
4-LEG	1.0"	LS4W	LEG SYS 4-LEG 1.0" WESTPORT
5-LEG	1.0"	LS5W	LEG SYS 5-LEG 1.0" WESTPORT

Available Finishes

AVAILABLE IN ALL 16 PALMER FINISHES
please see page 106 for details



width & depth can be field cut to reduce size

COMPATIBLE OPTIONS & ACCESSORIES

ONLY the options & accessories listed below may be used with this WESTPORT style

TURN TO OPTIONS
PAGE 110

Please select only from the
Options & Accessories listed here
for use with the WESTPORT style



Turn to the Options & Finishes
Tab Page for Details

Towel Shelf Options:

- Tubular Metal Shelf (TS)
- Glass Shelf (GS)
- Teak Wood Shelf (WS)

Shelf Support Options:
required for all shelves

- Low Profile Shelf Support (SS_LP)
- Clip Shelf Support (SS_C)
- Split Collar Shelf Support (SS_SC)

Additional Options & Accessories:

- ADA Compliant Configuration (ADA)
- Curved Crossbar (CURV)
- Reeded Tubing (RT)
- Wall Brackets: non-standard (WB)
- Auxiliary Towel Rail (TR)
- TP Holder (TP)

For sizes larger than shown, and/or custom configurations, please contact Palmer for a quote



R-060326

R-060326



Classic Collection

T	Tapered Foot	12	48
C	Decorative Collar	13	52
BL	Ball Foot	14	56
B	Bun Foot	15	60

Traditional Collection

E	Essex	16	64
W	Westport	17	66
CAP	Capital	18	68
K	Kingston	19	70
V	Victorian	20	72
P	Providence	21	74
REN	Renaissance	22	76
PREN	Petite Renaissance	23	77
N	Newport	24	78
BAY	Bayonne	25	80
FR	Franklin	25	81
EM	Embry	26	82
SH	Soho	27	83

Modern Collection

S	Studio	28	84
M	Minimal	29	90
MET	Metro	30	92
MOD	Modern	31	96
SQ	Square	32	98
L	Linear	33	100
J	Jamestown	34	101
BR	Bristol	35	102

Wall Mount Collection

REG	Regency	36	103
A	Apex	37	104
SG	Signature	38	105

Finishes, Options & Accessories

Finishes & Materials	40	106
Shelving & Supports	42	110
Options & Accessories	44	112

Appendices

Dealers & Resources	116
Estimates & Orders	117
China Sinks	119
Anatomy of a Leg System	120
Tubing Diameter Reference	121

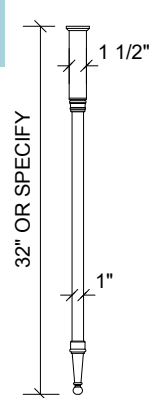
SELECT LEG SYSTEM CONFIGURATION

choose the configuration that best suits your counter size and number of sinks

1-LEG

ANY WIDTH COUNTER

Wall Bracket not included with single legs - see pg. 114

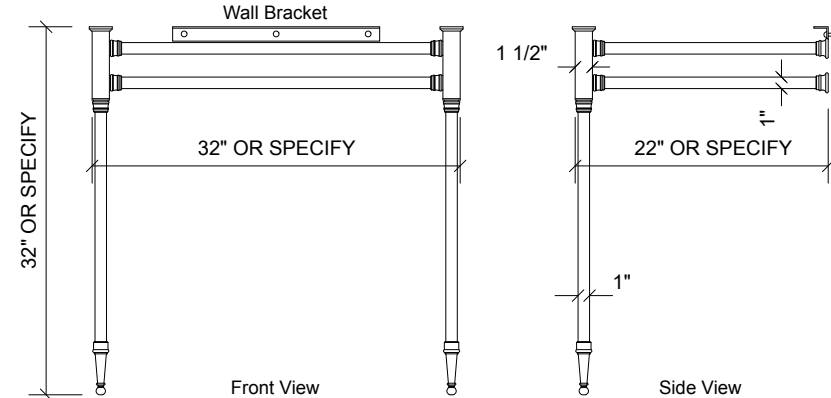


2-LEG

UP TO 60" W COUNTERS

1 OR 2 SINKS

Standard Counter Size: 36"W x 24"D

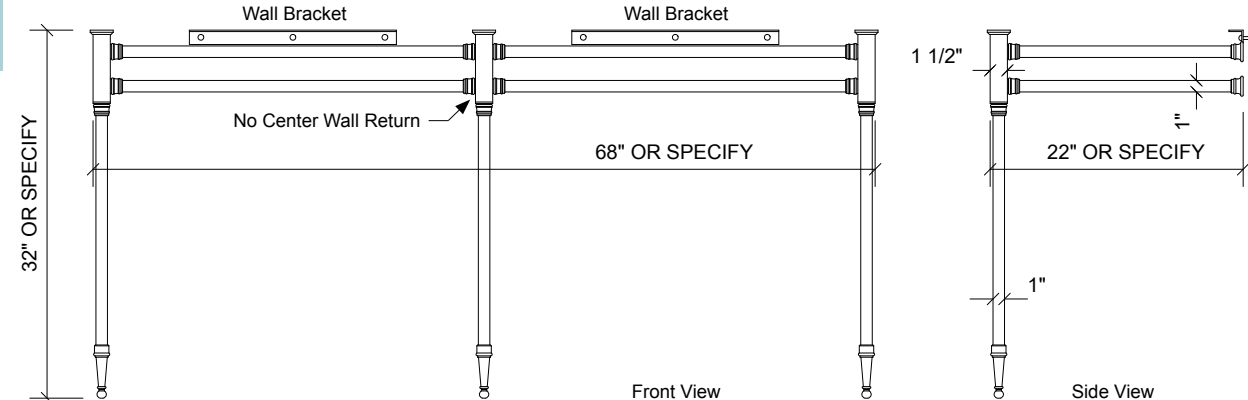


3-LEG

UP TO 90" W COUNTERS

2 SINKS

Standard Counter Size: 72"W x 24"D

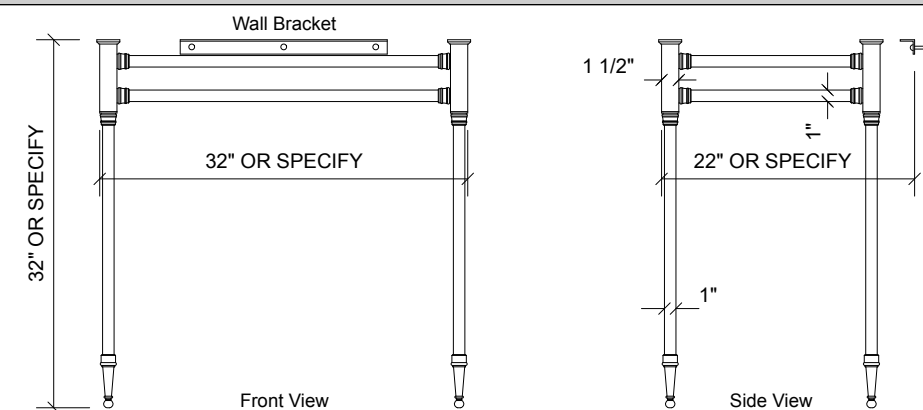


4-LEG

UP TO 60" W COUNTERS

1 OR 2 SINKS

Standard Counter Size: 36"W x 24"D

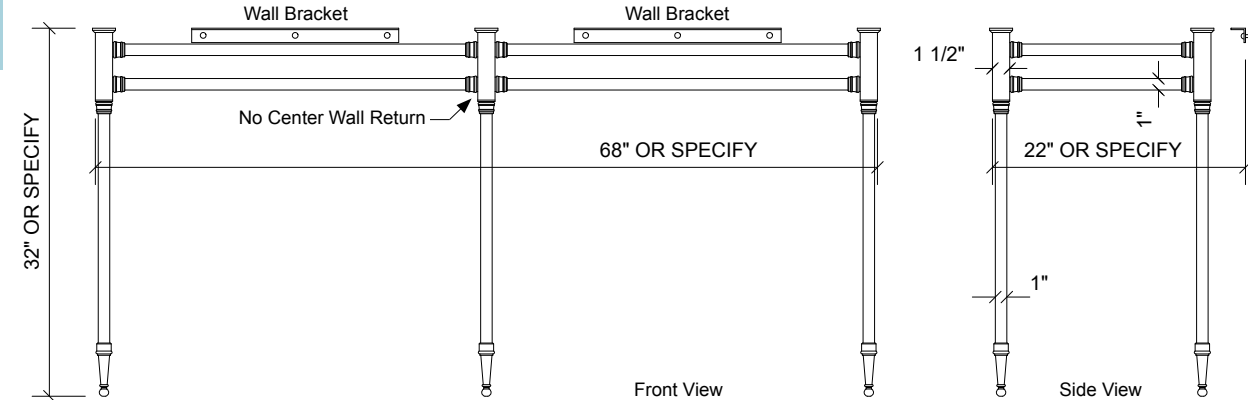


5-LEG

UP TO 90" W COUNTERS

2 SINKS

Standard Counter Size: 72"W x 24"D



Standard Wall Bracket(s) included with all leg systems

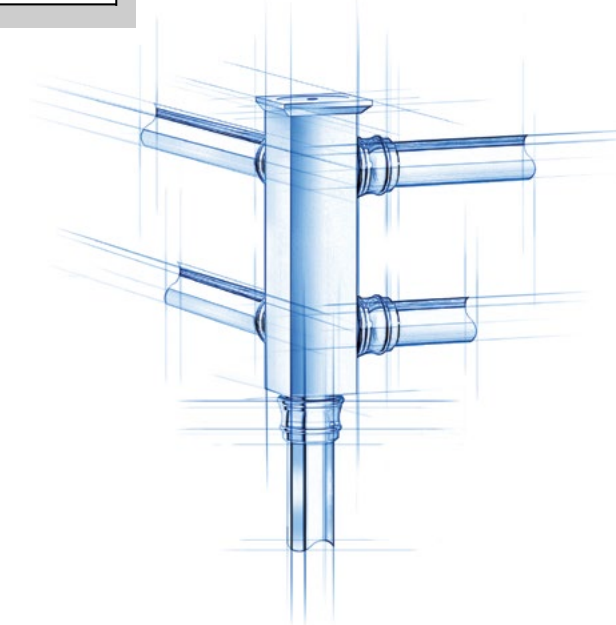
Custom Configurations are available - if you don't see what you want please call Palmer Customer Support

MODEL NUMBERS FOR LEG SYSTEM

LEGS	DIA	MODEL	DESCRIPTION
1-LEG	1.0"	CAP100	LEG SINGLE 1.0" CAPITAL
2-LEG	1.0"	LS2CAP	LEG SYS 2-LEG 1.0" CAPITAL
3-LEG	1.0"	LS3CAP	LEG SYS 3-LEG 1.0" CAPITAL
4-LEG	1.0"	LS4CAP	LEG SYS 4-LEG 1.0" CAPITAL
5-LEG	1.0"	LS5CAP	LEG SYS 5-LEG 1.0" CAPITAL

Available Finishes

AVAILABLE IN ALL 16 PALMER FINISHES please see page 106 for details



width & depth can be field cut to reduce size

COMPATIBLE OPTIONS & ACCESSORIES

ONLY the options & accessories listed below may be used with this CAPITAL style

TURN TO OPTIONS PAGE 110

Please select only from the Options & Accessories listed here for use with the CAPITAL style



Turn to the Options & Finishes Tab Page for Details

Towel Shelf Options:

- Tubular Metal Shelf (TS)
- Glass Shelf (GS)
- Teak Wood Shelf (WS)

Shelf Support Options: required for all shelves

- Low Profile Shelf Support (SS_LP)
- Clip Shelf Support (SS_C)
- Split Collar Shelf Support (SS_SC)

Additional Options & Accessories:

- ADA Compliant Configuration (ADA)
- Reeded Tubing (RT)
- Wall Brackets: non-standard (WB)
- Auxiliary Towel Rail (TR)
- TP Holder (TP)

For sizes larger than shown, and/or custom configurations, please contact Palmer for a quote



R-060326

R-060326



Styles

Images
Details

Classic Collection

T Tapered Foot	12	48
C Decorative Collar	13	52
BL Ball Foot	14	56
B Bun Foot	15	60

Traditional Collection

E Essex	16	64
W Westport	17	66
CAP Capital	18	68
K Kingston	19	70
V Victorian	20	72
P Providence	21	74
REN Renaissance	22	76
PREN Petite Renaissance	23	77
N Newport	24	78
BAY Bayonne	25	80
FR Franklin	25	81
EM Embry	26	82
SH Soho	27	83

Modern Collection

S Studio	28	84
M Minimal	29	90
MET Metro	30	92
MOD Modern	31	96
SQ Square	32	98
L Linear	33	100
J Jamestown	34	101
BR Bristol	35	102

Wall Mount Collection

REG Regency	36	103
A Apex	37	104
SG Signature	38	105

Finishes, Options & Accessories

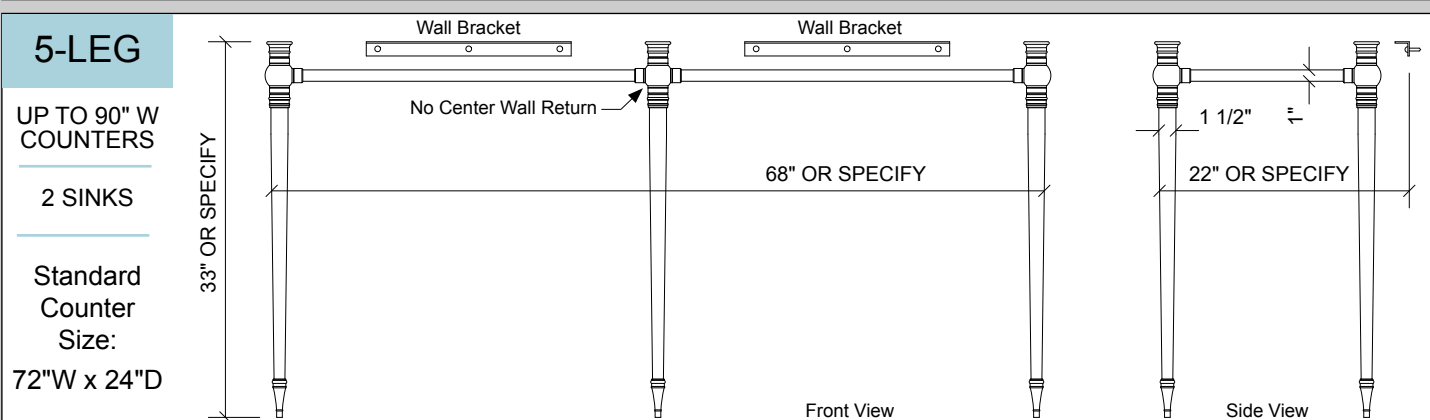
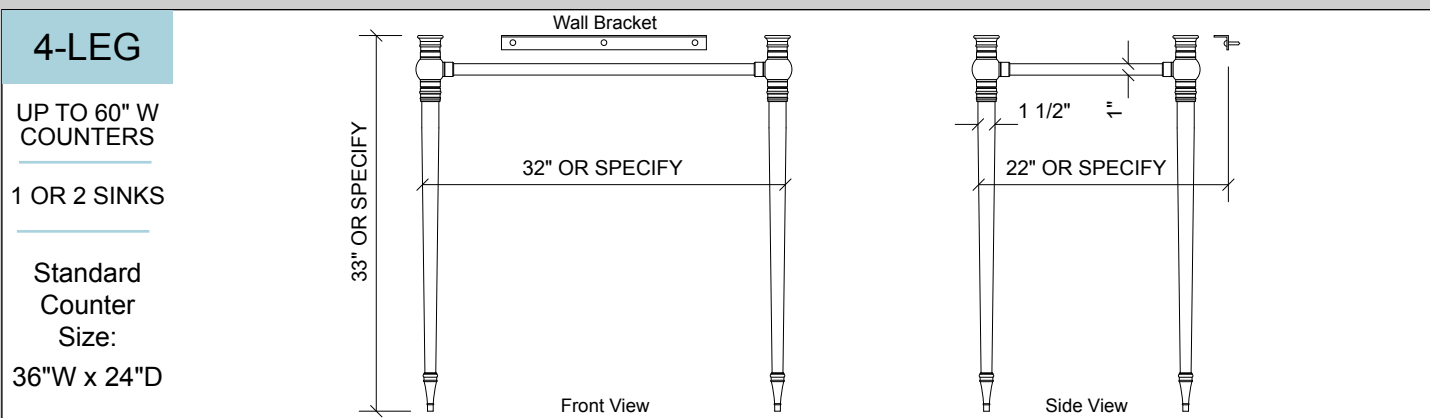
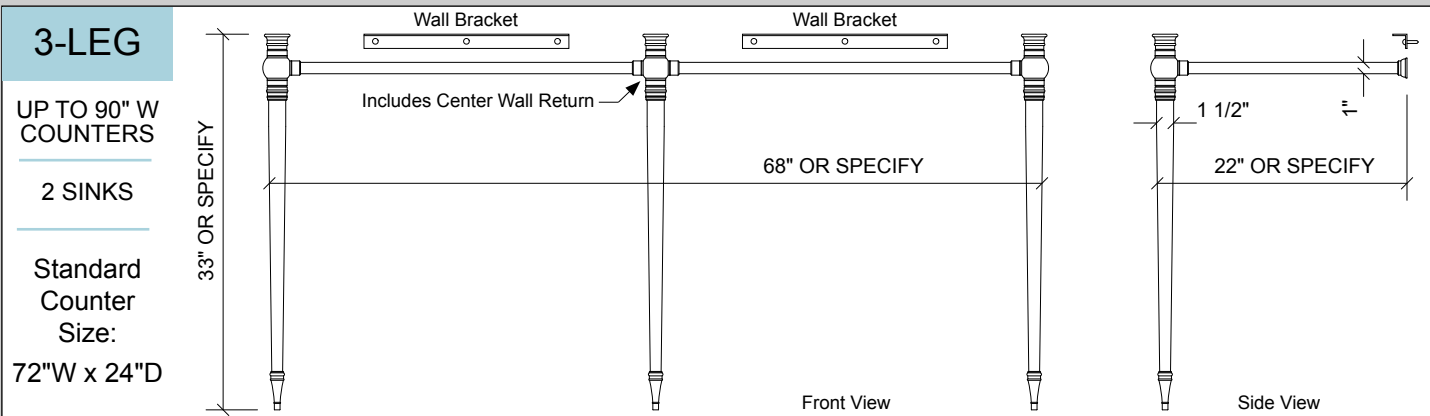
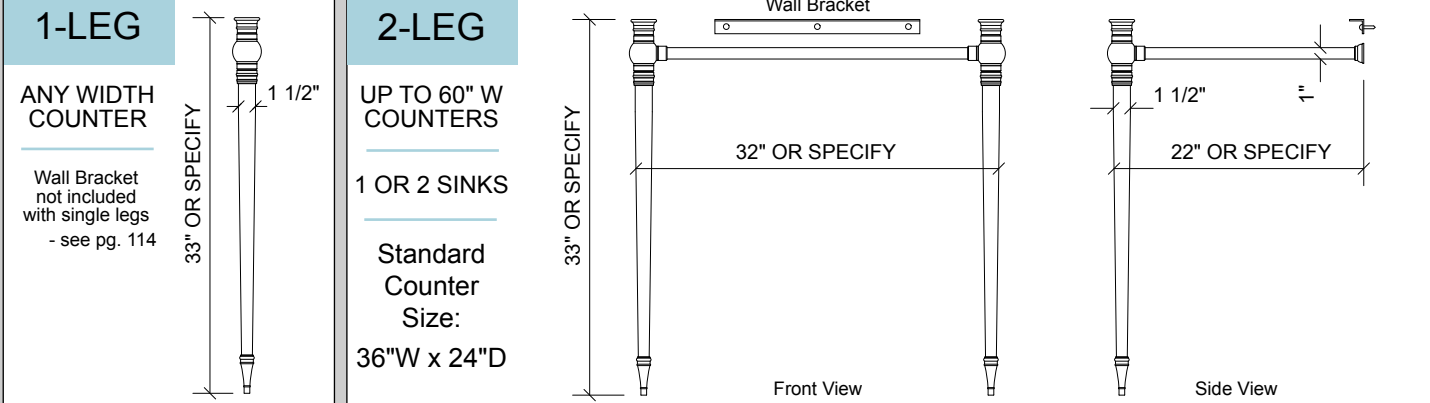
Finishes & Materials	40	106
Shelving & Supports	42	110
Options & Accessories	44	112

Appendices

Dealers & Resources	116
Estimates & Orders	117
China Sinks	119
Anatomy of a Leg System	120
Tubing Diameter Reference	121

SELECT LEG SYSTEM CONFIGURATION

choose the configuration that best suits your counter size and number of sinks



Standard Wall Bracket(s) included with all leg systems

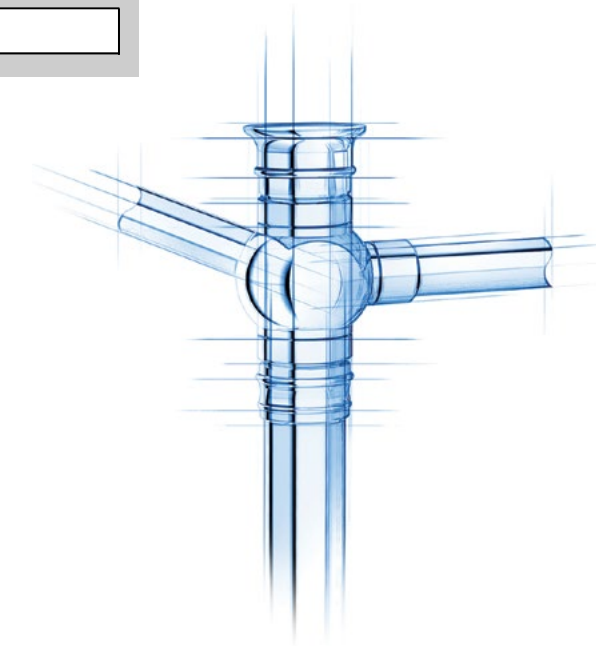
Custom Configurations are available - if you don't see what you want please call Palmer Customer Support

MODEL NUMBERS FOR LEG SYSTEM

LEGS	DIA	MODEL	DESCRIPTION
1-LEG	1.5"	K150	LEG SINGLE 1.5" KINGSTON
2-LEG	1.5"	LS2K	LEG SYS 2-LEG 1.5" KINGSTON
3-LEG	1.5"	LS3K	LEG SYS 3-LEG 1.5" KINGSTON
4-LEG	1.5"	LS4K	LEG SYS 4-LEG 1.5" KINGSTON
5-LEG	1.5"	LS5K	LEG SYS 5-LEG 1.5" KINGSTON

Available Finishes

AVAILABLE IN ALL 16 PALMER FINISHES please see page 106 for details



* the Kingston style requires a minimum leg height of 33" due to the tapered leg shape width & depth can be field cut to reduce size

COMPATIBLE OPTIONS & ACCESSORIES

ONLY the options & accessories listed below may be used with this KINGSTON style

TURN TO OPTIONS PAGE 110

Please select only from the Options & Accessories listed here for use with the KINGSTON style



Turn to the Options & Finishes Tab Page for Details

Towel Shelf Options:

- Tubular Metal Shelf (TS)
- Glass Shelf (GS)
- Teak Wood Shelf (WS)

Shelf Support Options: required for all shelves

- Low Profile Shelf Support (SS_LP)
- Clip Shelf Support (SS_C)

Additional Options & Accessories:

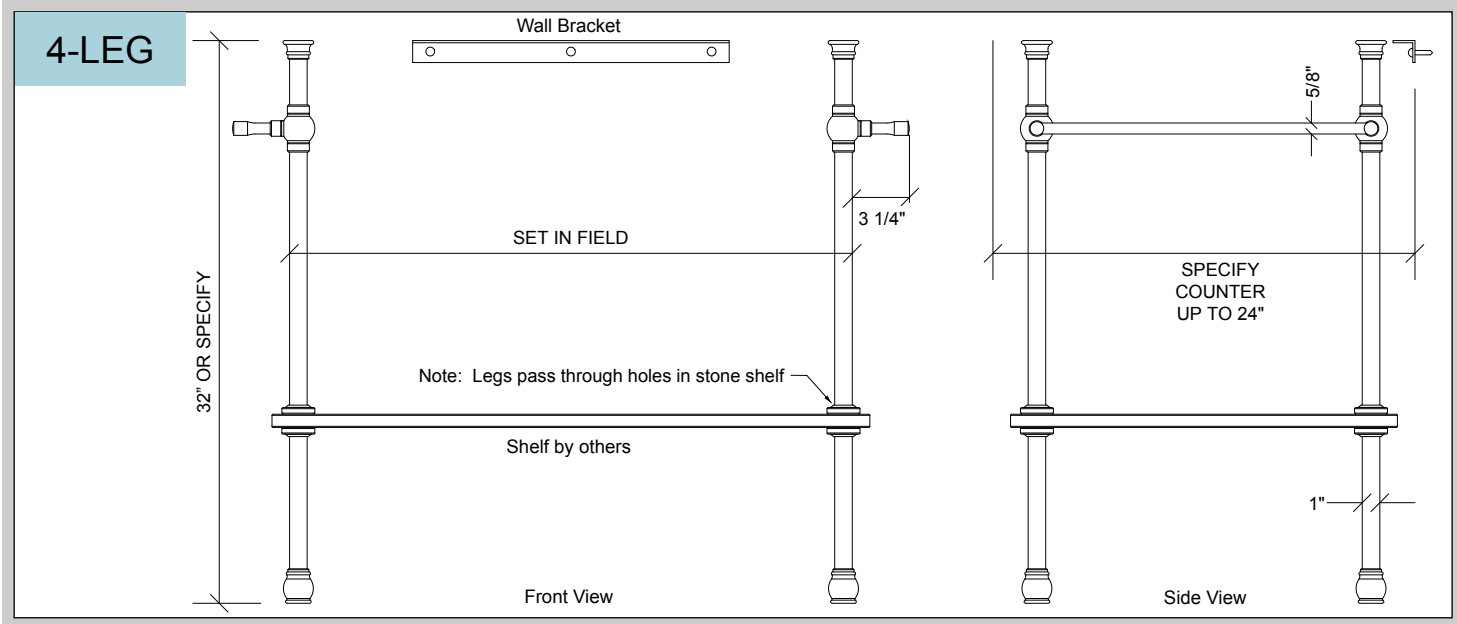
- ADA Compliant Configuration (ADA)
- Curved Crossbar (CURV)
- Reeded Horizontal Tubing (RTH)
- Hammered Ball Fittings (HB)
- Wall Brackets: non-standard (WB)
- Auxiliary Towel Rail (TR)
- TP Holder (TP)

For sizes larger than shown, and/or custom configurations, please contact Palmer for a quote



R-060326

R-060326



R-060326

MODEL NUMBERS FOR LEG SYSTEM

LEGS	DIA	MODEL	DESCRIPTION
1-LEG	1.0"	LS41V	LEG SYS 4-LEG 1.0" VICTORIAN

Available Finishes

AVAILABLE IN ALL 16 PALMER FINISHES please see page 106 for details



The standard Victorian model as shown includes: 4 legs, 2 towel rails, and 4 split collar shelf supports designed to support a stone shelf supplied by the customer



can be field cut to reduce size Width determined by customer supplied shelf

COMPATIBLE OPTIONS & ACCESSORIES

ONLY the options & accessories listed below may be used with this VICTORIAN style

TURN TO OPTIONS PAGE 110

Please select only from the Options & Accessories listed here for use with the VICTORIAN style



Turn to the Options & Finishes Tab Page for Details

Towel Shelf Options:

Victorian designed to receive customer-supplied stone shelf only

Shelf Support Options:

required for all shelves

Includes Split Collar Shelf Support

Additional Options & Accessories:

Includes 2 Auxiliary Towel Rails

Available Options:

- Hammered Ball Fittings (HB)
- Reeded Tubing (RT)
- Wall Brackets: non-standard (WB)



Victorian

For any configuration or other custom design features not covered in this guide, please contact Palmer for a quote.

Styles

Classic Collection

	Images	Details
T Tapered Foot	12	48
C Decorative Collar	13	52
BL Ball Foot	14	56
B Bun Foot	15	60

Traditional Collection

E Essex	16	64
W Westport	17	66
CAP Capital	18	68
K Kingston	19	70
V Victorian	20	72
P Providence	21	74
REN Renaissance	22	76
PREN Petite Renaissance	23	77
N Newport	24	78
BAY Bayonne	25	80
FR Franklin	25	81
EM Embry	26	82
SH Soho	27	83

Modern Collection

S Studio	28	84
M Minimal	29	90
MET Metro	30	92
MOD Modern	31	96
SQ Square	32	98
L Linear	33	100
J Jamestown	34	101
BR Bristol	35	102

Wall Mount Collection

REG Regency	36	103
A Apex	37	104
SG Signature	38	105

Finishes, Options & Accessories

Finishes & Materials	40	106
Shelving & Supports	42	110
Options & Accessories	44	112

Appendices

Dealers & Resources	116
Estimates & Orders	117
China Sinks	119
Anatomy of a Leg System	120
Tubing Diameter Reference	121



Styles

Style	Images	Details
<i>Classic Collection</i>		
T Tapered Foot	12	48
C Decorative Collar	13	52
BL Ball Foot	14	56
B Bun Foot	15	60
<i>Traditional Collection</i>		
E Essex	16	64
W Westport	17	66
CAP Capital	18	68
K Kingston	19	70
V Victorian	20	72
P Providence	21	74
REN Renaissance	22	76
PREN Petite Renaissance	23	77
N Newport	24	78
BAY Bayonne	25	80
FR Franklin	25	81
EM Embry	26	82
SH Soho	27	83
<i>Modern Collection</i>		
S Studio	28	84
M Minimal	29	90
MET Metro	30	92
MOD Modern	31	96
SQ Square	32	98
L Linear	33	100
J Jamestown	34	101
BR Bristol	35	102
<i>Wall Mount Collection</i>		
REG Regency	36	103
A Apex	37	104
SG Signature	38	105

SELECT LEG SYSTEM CONFIGURATION

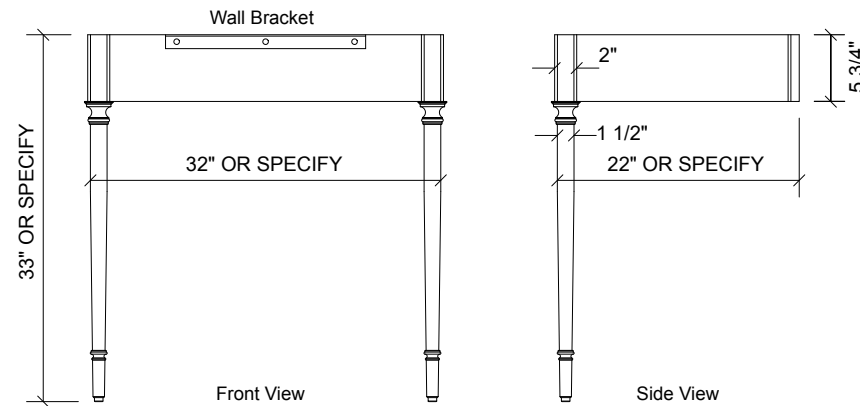
choose the configuration that best suits your counter size and number of sinks

2-LEG

UP TO 60" W COUNTERS

1 OR 2 SINKS

Standard Counter Size: 36"W x 24"D

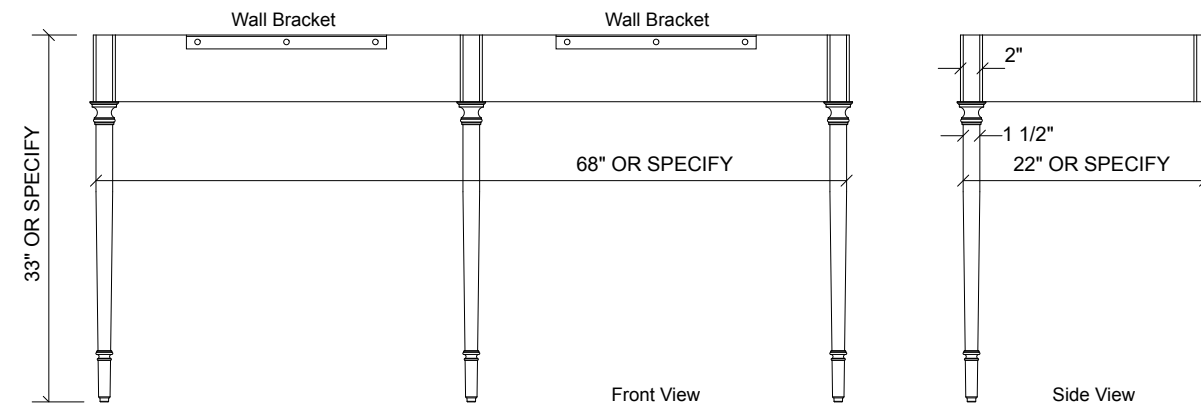


3-LEG

UP TO 90" W COUNTERS

2 SINKS

Standard Counter Size: 72"W x 24"D

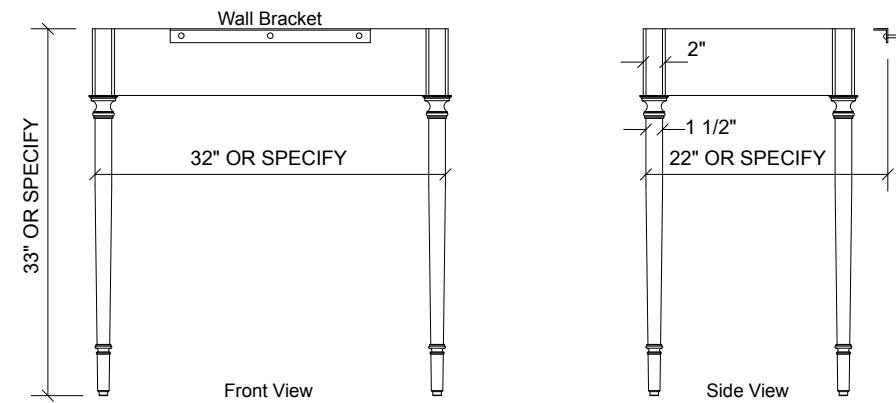


4-LEG

UP TO 60" W COUNTERS

1 OR 2 SINKS

Standard Counter Size: 36"W x 24"D

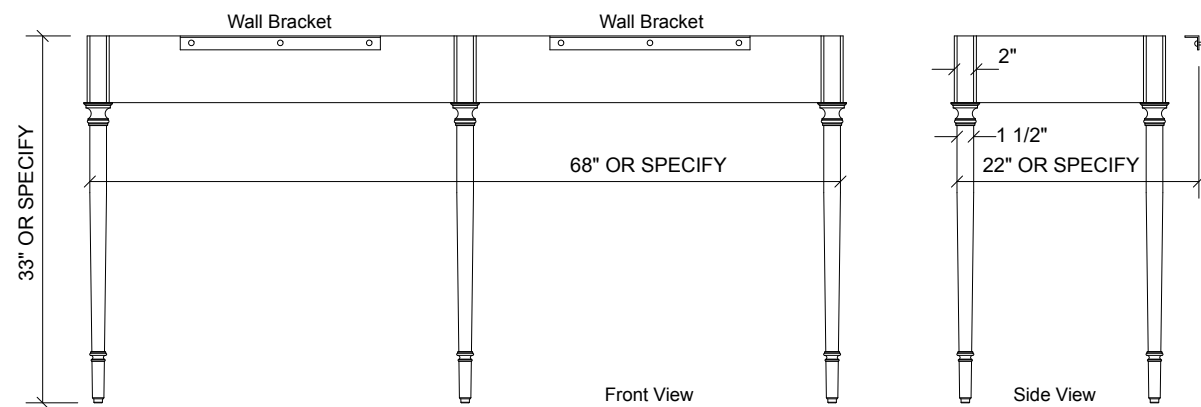


5-LEG

UP TO 90" W COUNTERS

2 SINKS

Standard Counter Size: 72"W x 24"D



Standard Wall Bracket(s) included with all leg systems

Custom Configurations are available - if you don't see what you want please call Palmer Customer Support

MODEL NUMBERS FOR LEG SYSTEM

LEGS	DIA	MODEL	DESCRIPTION
2-LEG	1.5"	LS2P	LEG SYS 2-LEG 1.5" PROVIDENCE
3-LEG	1.5"	LS3P	LEG SYS 3-LEG 1.5" PROVIDENCE
4-LEG	1.5"	LS4P	LEG SYS 4-LEG 1.5" PROVIDENCE
5-LEG	1.5"	LS5P	LEG SYS 5-LEG 1.5" PROVIDENCE

Available Finishes

AVAILABLE IN ALL 16 PALMER FINISHES please see page 106 for details

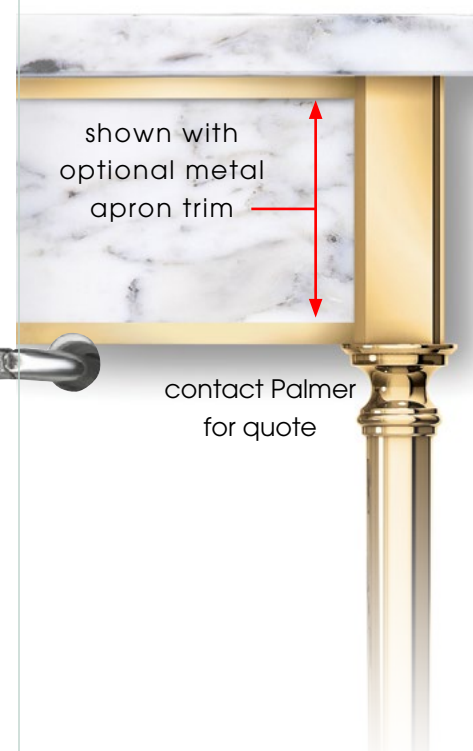
SIZING THE PROVIDENCE LEG SYSTEM

The width and depth of the Providence leg system is determined by the lengths of the stone aprons.

Palmer will provide detailed drawings and specifications for the 5 3/4" high stone apron pieces required.

Prices include leg heights up to a maximum of 36".

ALL STONE PROVIDED BY CUSTOMER.



COMPATIBLE OPTIONS & ACCESSORIES

ONLY the options & accessories listed below may be used with this PROVIDENCE style

TURN TO OPTIONS PAGE 110

Please select only from the Options & Accessories listed here for use with the PROVIDENCE style



Turn to the Options & Finishes Tab Page for Details

Towel Shelf Options:

- Tubular Metal Shelf (TS)
- Glass Shelf (GS)
- Teak Wood Shelf (WS)

Shelf Support Options: required for all shelves

- Low Profile Shelf Support (SS_LP)
- Clip Shelf Support (SS_C)

Additional Options & Accessories:

- ADA Compliant Configuration (ADA)
- Wall Brackets: non-standard (WB)
- Auxiliary Towel Rail (TR)
- TP Holder (TP)

For sizes larger than shown, and/or custom configurations, please contact Palmer for a quote

Finishes, Options & Accessories

Finishes & Materials	40	106
Shelving & Supports	42	110
Options & Accessories	44	112

Appendices

Dealers & Resources	116
Estimates & Orders	117
China Sinks	119
Anatomy of a Leg System	120
Tubing Diameter Reference	121



SEE PHOTO ON PG. 22

SEE PHOTO ON PG. 23



Styles

Style	Images	Details
Classic Collection		
T Tapered Foot	12	48
C Decorative Collar	13	52
BL Ball Foot	14	56
B Bun Foot	15	60
Traditional Collection		
E Essex	16	64
W Westport	17	66
CAP Capital	18	68
K Kingston	19	70
V Victorian	20	72
P Providence	21	74
REN Renaissance	22	76
PREN Petite Renaissance	23	77
N Newport	24	78
BAY Bayonne	25	80
FR Franklin	25	81
EM Embry	26	82
SH Soho	27	83
Modern Collection		
S Studio	28	84
M Minimal	29	90
MET Metro	30	92
MOD Modern	31	96
SQ Square	32	98
L Linear	33	100
J Jamestown	34	101
BR Bristol	35	102
Wall Mount Collection		
REG Regency	36	103
A Apex	37	104
SG Signature	38	105

4-LEG

Note: designed to fit only counters of this unique shape

shown with Stone Forest Renaissance sink top

can be field cut to reduce size

2-LEG

Note: designed to fit only counters of this unique shape

shown with Stone Forest Petite Renaissance sink

Height & Depth can be field cut to reduce size

MODEL NUMBERS FOR LEG SYSTEM

LEGS	DIA	MODEL	DESCRIPTION
4-LEG	1.0"	LS41REN	LEG SYS 4-LEG 1.0" RENAISSANCE

Available Finishes

AVAILABLE IN ALL 16 PALMER FINISHES
please see page 106 for details

MODEL NUMBERS FOR LEG SYSTEM

LEGS	DIA	MODEL	DESCRIPTION
1-LEG	1.0"	LS21REN	LEG SYS 2-LEG 1.0" RENAISSANCE

Available Finishes

AVAILABLE IN ALL 16 PALMER FINISHES
please see page 106 for details

TURN TO OPTIONS PAGE 110

Please select only from the Options & Accessories listed here for use with the **RENAISSANCE** style

REN

Turn to the Options & Finishes Tab Page for Details

Towel Shelf Options:	Additional Options & Accessories:
Tubular Metal Shelf (TS) Glass Shelf (GS) Teak Wood Shelf (WS)	Reeded Tubing (RT) Hammered Ball Fittings (HB) Wall Brackets: non-standard (WB) Auxiliary Towel Rail (TR) TP Holder (TP)
Shelf Support Options: required for all shelves	
Includes Rail Shelf Support	

TURN TO OPTIONS PAGE 110

Please select only from the Options & Accessories listed here for use with the **PETITE RENAISSANCE** style

PREN

Turn to the Options & Finishes Tab Page for Details

Towel Shelf Options:	Additional Options & Accessories:
Tubular Metal Shelf (TS) Glass Shelf (GS) Teak Wood Shelf (WS)	Reeded Tubing (RT) Hammered Ball Fittings (HB) Wall Brackets: non-standard (WB) Auxiliary Towel Rail (TR) TP Holder (TP)
Shelf Support Options: required for all shelves	
Includes Rail Shelf Support	

Finishes, Options & Accessories

Finishes & Materials	40	106
Shelving & Supports	42	110
Options & Accessories	44	112

Appendices

Dealers & Resources	116
Estimates & Orders	117
China Sinks	119
Anatomy of a Leg System	120
Tubing Diameter Reference	121

Standard Wall Bracket(s) included with all leg systems
Custom Configurations are available - if you don't see what you want please call Palmer Customer Support

For sizes larger than shown, and/or custom configurations, please contact Palmer for a quote



Styles

Images
Details

Classic Collection

T	Tapered Foot	12	48
C	Decorative Collar	13	52
BL	Ball Foot	14	56
B	Bun Foot	15	60

Traditional Collection

E	Essex	16	64
W	Westport	17	66
CAP	Capital	18	68
K	Kingston	19	70
V	Victorian	20	72
P	Providence	21	74
REN	Renaissance	22	76
PREN	Petite Renaissance	23	77
N	Newport	24	78
BAY	Bayonne	25	80
FR	Franklin	25	81
EM	Embry	26	82
SH	Soho	27	83

Modern Collection

S	Studio	28	84
M	Minimal	29	90
MET	Metro	30	92
MOD	Modern	31	96
SQ	Square	32	98
L	Linear	33	100
J	Jamestown	34	101
BR	Bristol	35	102

Wall Mount Collection

REG	Regency	36	103
A	Apex	37	104
SG	Signature	38	105

Finishes, Options & Accessories

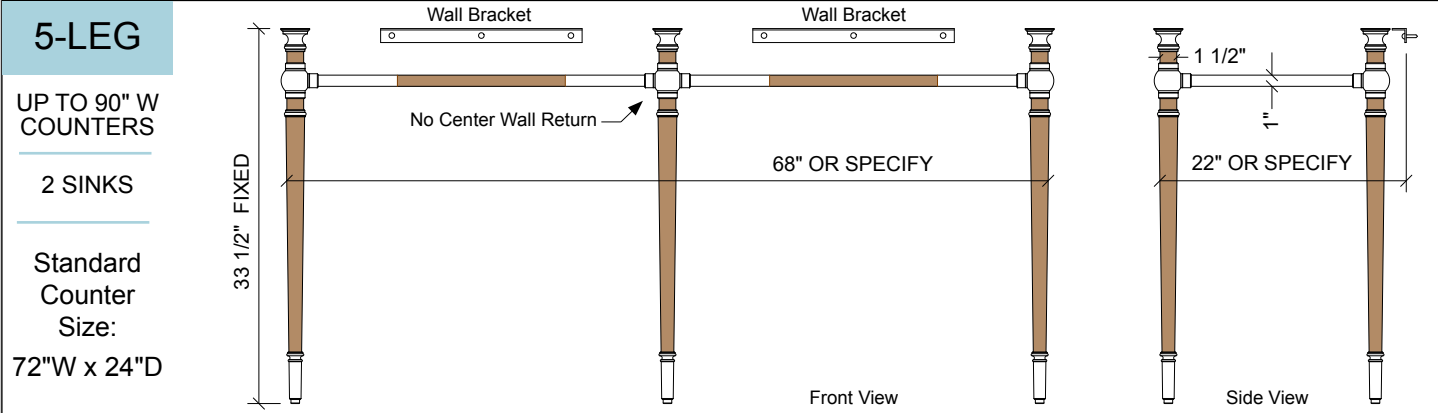
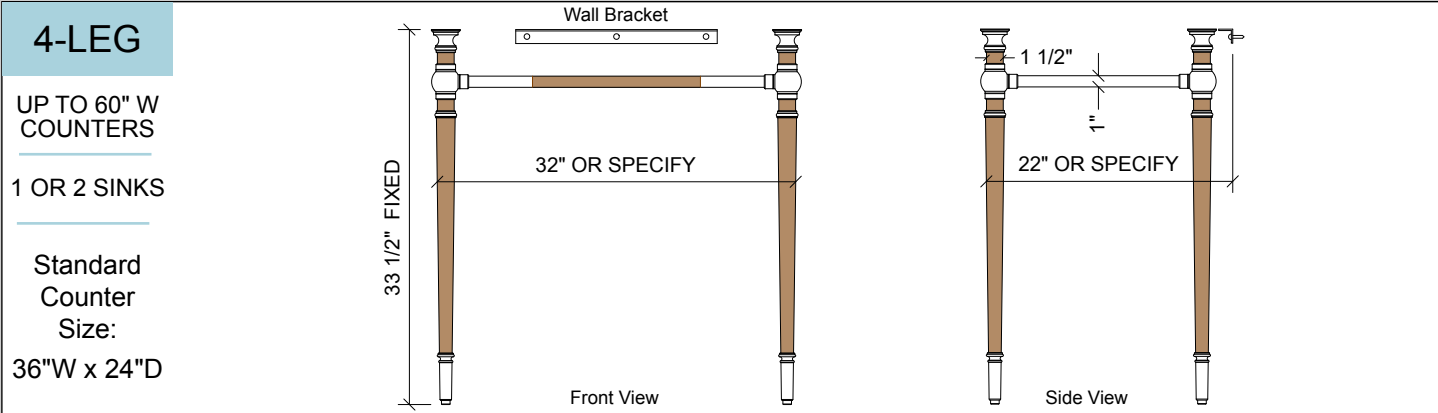
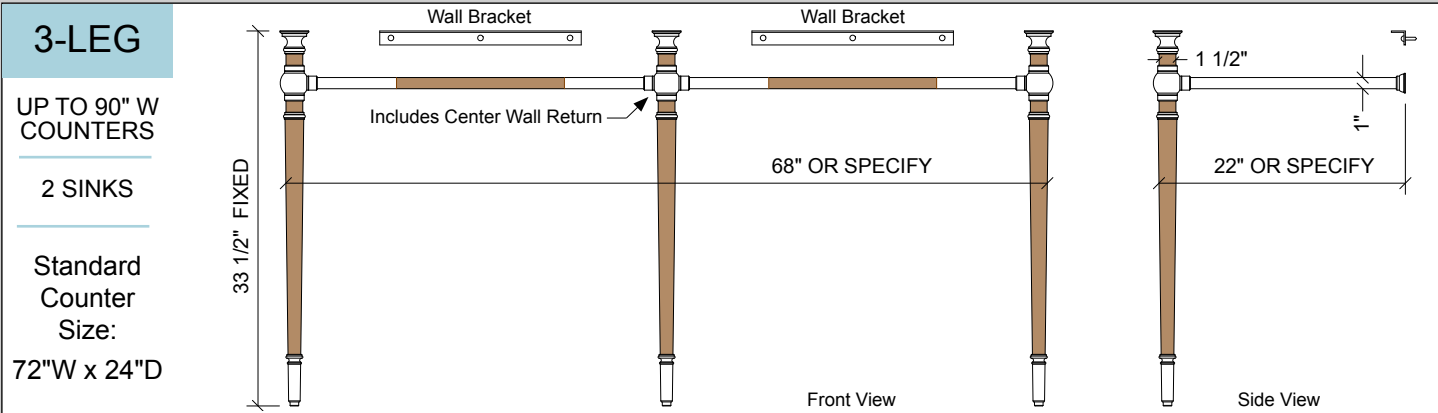
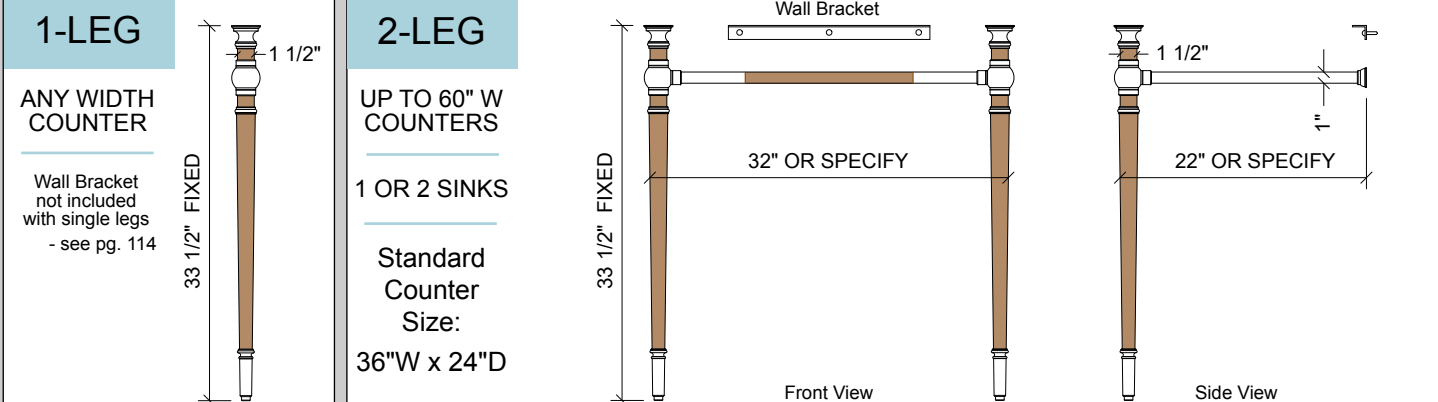
Finishes & Materials	40	106
Shelving & Supports	42	110
Options & Accessories	44	112

Appendices

Dealers & Resources	116
Estimates & Orders	117
China Sinks	119
Anatomy of a Leg System	120
Tubing Diameter Reference	121

SELECT LEG SYSTEM CONFIGURATION

choose the configuration that best suits your counter size and number of sinks



Standard Wall Bracket(s) included with all leg systems
Custom Configurations are available - if you don't see what you want please call Palmer Customer Support

MODEL NUMBERS FOR LEG SYSTEM

LEGS	DIA	MODEL	DESCRIPTION
1-LEG	1.5"	N150	LEG SINGLE 1.5" NEWPORT
2-LEG	1.5"	LS2N	LEG SYS 2-LEG 1.5" NEWPORT
3-LEG	1.5"	LS3N	LEG SYS 3-LEG 1.5" NEWPORT
4-LEG	1.5"	LS4N	LEG SYS 4-LEG 1.5" NEWPORT
5-LEG	1.5"	LS5N	LEG SYS 5-LEG 1.5" NEWPORT

Available Finishes

AVAILABLE IN ALL 16 PALMER FINISHES
please see page 106 for details



* the Newport style is only available with a fixed leg height of 33-1/2"
width & depth can be field cut to reduce size

COMPATIBLE OPTIONS & ACCESSORIES

ONLY the options & accessories listed below may be used with this NEWPORT style

TURN TO OPTIONS
PAGE 110

Please select only from the Options & Accessories listed here for use with the NEWPORT style



Turn to the Options & Finishes Tab Page for Details

Towel Shelf Options:

- Tubular Metal Shelf (TS)
- Glass Shelf (GS)

Shelf Support Options:
required for all shelves

- Low Profile Shelf Support (SS_LP)
- Clip Shelf Support (SS_C)

Additional Options & Accessories:

- Reeded Horizontal Tubing (RTH)
- Hammered Ball Fittings (HB)
- Wall Brackets: non-standard (WB)
- Auxiliary Towel Rail (TR)
- TP Holder (TP)

For sizes larger than shown, and/or custom configurations, please contact Palmer for a quote



Styles

Style	Images	Details
Classic Collection		
T Tapered Foot	12	48
C Decorative Collar	13	52
BL Ball Foot	14	56
B Bun Foot	15	60
Traditional Collection		
E Essex	16	64
W Westport	17	66
CAP Capital	18	68
K Kingston	19	70
V Victorian	20	72
P Providence	21	74
REN Renaissance	22	76
PREN Petite Renaissance	23	77
N Newport	24	78
BAY Bayonne	25	80
FR Franklin	25	81
EM Embry	26	82
SH Soho	27	83
Modern Collection		
S Studio	28	84
M Minimal	29	90
MET Metro	30	92
MOD Modern	31	96
SQ Square	32	98
L Linear	33	100
J Jamestown	34	101
BR Bristol	35	102
Wall Mount Collection		
REG Regency	36	103
A Apex	37	104
SG Signature	38	105

4-LEG

Note: designed to fit only counters of this unique shape

shown with Stone Forest Bayonne sink

Width & Depth can be field cut to reduce size

Our rich walnut heartwood is a natural product; color tone and wood grain will vary as each piece is unique

4-LEG

Note: designed to fit only counters of this unique shape

Width & Depth can be field cut to reduce size

MODEL NUMBERS FOR LEG SYSTEM

LEGS	DIA	MODEL	DESCRIPTION
4-LEG	1.5"	LS4BAY	LEG SYS 4-LEG 1.5" BAYONNE

Available Finishes

AVAILABLE IN ALL 16 PALMER FINISHES
please see page 106 for details

MODEL NUMBERS FOR LEG SYSTEM

LEGS	DIA	MODEL	DESCRIPTION
4-LEG	1.5"	LS4FR	LEG SYS 4-LEG 1.5" FRANKLIN

Available Finishes

AVAILABLE IN ALL 16 PALMER FINISHES
please see page 106 for details

COMPATIBLE OPTIONS & ACCESSORIES TURN TO OPTIONS PAGE 110

ONLY the options & accessories listed below may be used with this BAYONNE style

Please select only from the Options & Accessories listed here for use with the BAYONNE style

Turn to the Options & Finishes Tab Page for Details

Towel Shelf Options:

- Tubular Metal Shelf (TS)
- Glass Shelf (GS)

Shelf Support Options:
required for all shelves

- Low Profile Shelf Support (SS_LP)
- Clip Shelf Support (SS_C)

Additional Options & Accessories:

- Reeded Horizontal Tubing (RTH)
- Hammered Ball Fittings (HB)
- Wall Brackets: non-standard (WB)
- Auxiliary Towel Rail (TR)
- TP Holder (TP)

COMPATIBLE OPTIONS & ACCESSORIES TURN TO OPTIONS PAGE 110

ONLY the options & accessories listed below may be used with this FRANKLIN style

Please select only from the Options & Accessories listed here for use with the FRANKLIN style

Turn to the Options & Finishes Tab Page for Details

Towel Shelf Options:

- Tubular Metal Shelf (TS)
- Glass Shelf (GS)
- Teak Wood Shelf (WS)

Shelf Support Options:
required for all shelves

- Low Profile Shelf Support (SS_LP)
- Clip Shelf Support (SS_C)

Additional Options & Accessories:

- ADA Compliant Configuration (ADA)
- Hammered Ball Fittings (HB)
- Wall Brackets: non-standard (WB)
- Auxiliary Towel Rail (TR)
- TP Holder (TP)

Finishes, Options & Accessories

Finishes & Materials	40	106
Shelving & Supports	42	110
Options & Accessories	44	112
Appendices		
Dealers & Resources		116
Estimates & Orders		117
China Sinks		119
Anatomy of a Leg System		120
Tubing Diameter Reference		121



Embry



LEG SYSTEM CONFIGURATION

SEE PHOTO ON PG. 26

Soho



LEG SYSTEM CONFIGURATION

SEE PHOTO ON PG. 27



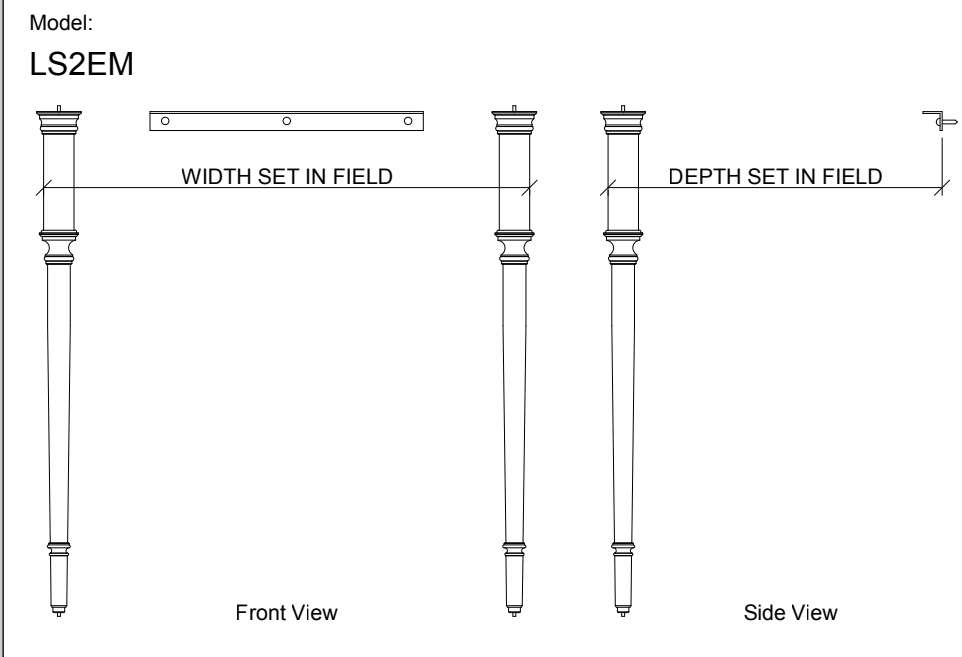
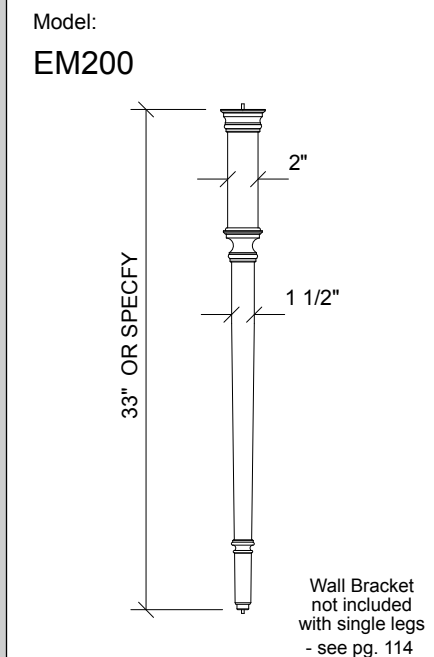
Table of Contents

Styles

Style	Images	Details
Classic Collection		
T Tapered Foot	12	48
C Decorative Collar	13	52
BL Ball Foot	14	56
B Bun Foot	15	60
Traditional Collection		
E Essex	16	64
W Westport	17	66
CAP Capital	18	68
K Kingston	19	70
V Victorian	20	72
P Providence	21	74
REN Renaissance	22	76
PREN Petite Renaissance	23	77
N Newport	24	78
BAY Bayonne	25	80
FR Franklin	25	81
EM Embry	26	82
SH Soho	27	83
Modern Collection		
S Studio	28	84
M Minimal	29	90
MET Metro	30	92
MOD Modern	31	96
SQ Square	32	98
L Linear	33	100
J Jamestown	34	101
BR Bristol	35	102
Wall Mount Collection		
REG Regency	36	103
A Apex	37	104
SG Signature	38	105

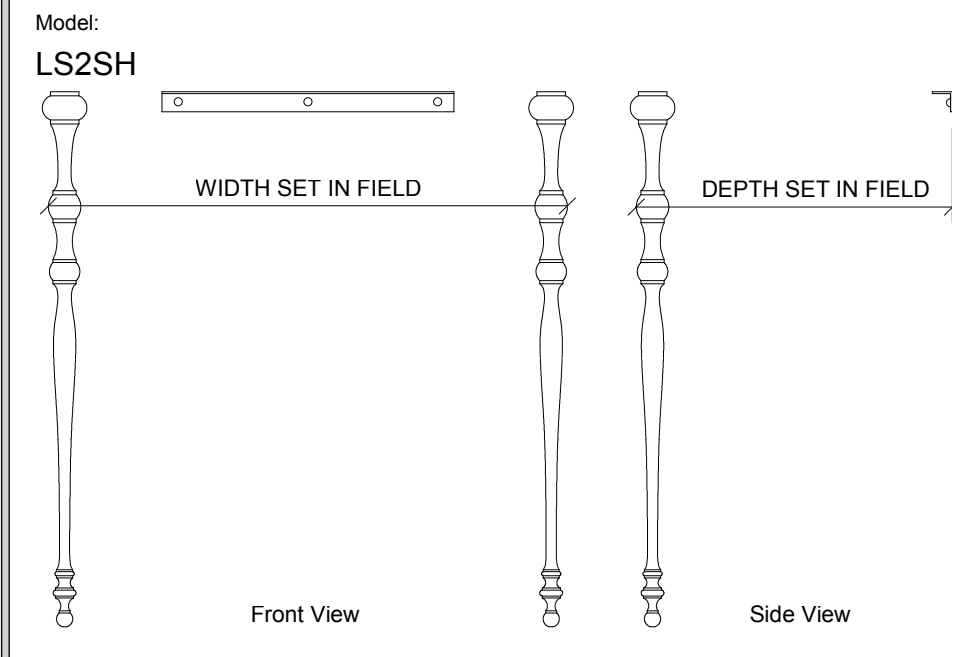
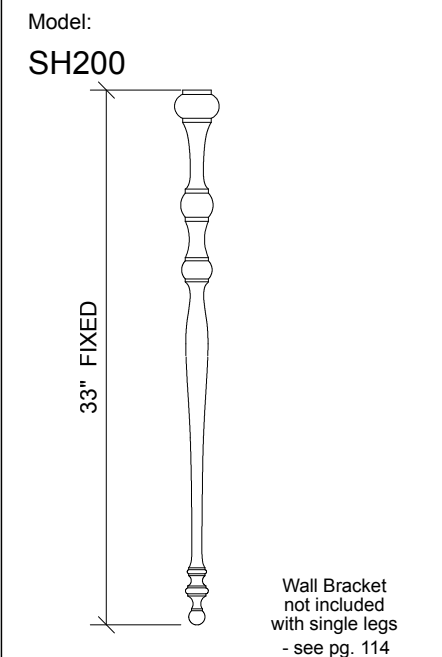
1 - SINGLE LEG

2 - SINGLE LEGS



1 - SINGLE LEG

2 - SINGLE LEGS



MODEL NUMBERS FOR LEG SYSTEM

LEGS	DIA	MODEL	DESCRIPTION
1-LEG	2.0"	EM200	LEG-SINGLE 2.0" EMBRY
2-LEG	2.0"	LS2EM	LEG-SYS 2-LEG 2.0" EMBRY

Available Finishes

AVAILABLE IN ALL 16 PALMER FINISHES please see page 106 for details

MODEL NUMBERS FOR LEG SYSTEM

LEGS	DIA	MODEL	DESCRIPTION
1-LEG	2.0"	SH200	LEG-SINGLE 2.0" SOHO
2-LEG	2.0"	LS2SH	LEG-SYS 2-LEG 2.0" SOHO

Available Finishes

AVAILABLE IN ALL 16 PALMER FINISHES please see page 106 for details

COMPATIBLE OPTIONS & ACCESSORIES

ONLY the options & accessories listed below may be used with this EMBRY style

TURN TO OPTIONS PAGE 110

Please select only from the Options & Accessories listed here for use with the EMBRY style



Turn to the Options & Finishes Tab Page for Details

Towel Shelf Options:

- Tubular Metal Shelf (TS)
- Glass Shelf (GS)
- Teak Wood Shelf (WS)

Shelf Support Options: required for all shelves

- Low Profile Shelf Support (SS_LP)
- Clip Shelf Support (SS_C)

Additional Options & Accessories:

- ADA Compliant Configuration (ADA)
- Wall Brackets: non-standard (WB)

COMPATIBLE OPTIONS & ACCESSORIES

ONLY the options & accessories listed below may be used with this SOHO style

TURN TO OPTIONS PAGE 110

Please select only from the Options & Accessories listed here for use with the SOHO style



Turn to the Options & Finishes Tab Page for Details

Towel Shelf Options:

- Glass Shelf (GS)

Shelf Support Options: required for all shelves

- Clip Shelf Support (SS_C)

Additional Options & Accessories:

- ADA Compliant Configuration (ADA)
- Wall Brackets: non-standard (WB)

Standard Wall Bracket(s) included with all leg systems

Custom Configurations are available - if you don't see what you want please call Palmer Customer Support

For sizes larger than shown, and/or custom configurations, please contact Palmer for a quote

Appendices

Dealers & Resources	116
Estimates & Orders	117
China Sinks	119
Anatomy of a Leg System	120
Tubing Diameter Reference	121



1.5" DIAMETER TUBING

See Page 86 for 1.0" dia. & Page 88 for 0.75" dia.

SELECT LEG SYSTEM CONFIGURATION

choose the configuration that best suits your counter size and number of sinks

1-LEG
ANY WIDTH COUNTER
Wall Bracket not included with single legs - see pg. 114
1 1/2"
32" OR SPECIFY

2-LEG
UP TO 60" W COUNTERS
1 OR 2 SINKS
Standard Counter Size: 36"W x 24"D
32" OR SPECIFY
32" OR SPECIFY
22" OR SPECIFY
1 1/2"
Front View
Side View
Wall Bracket
Optional Decorative Rear-Risers

3-LEG
UP TO 90" W COUNTERS
2 SINKS
Standard Counter Size: 72"W x 24"D
32" OR SPECIFY
68" OR SPECIFY
22" OR SPECIFY
1 1/2"
Front View
Side View
Wall Bracket
Includes Center Wall Return
Optional Decorative Rear-Risers

4-LEG
UP TO 60" W COUNTERS
1 OR 2 SINKS
Standard Counter Size: 36"W x 24"D
32" OR SPECIFY
32" OR SPECIFY
22" OR SPECIFY
1 1/2"
Front View
Side View
Wall Bracket

5-LEG
UP TO 90" W COUNTERS
2 SINKS
Standard Counter Size: 72"W x 24"D
32" OR SPECIFY
68" OR SPECIFY
22" OR SPECIFY
1 1/2"
Front View
Side View
Wall Bracket
Includes Center Wall Return

Standard Wall Bracket(s) included with all leg systems
Custom Configurations are available - if you don't see what you want please call Palmer Customer Support



R-060326
R-060326



1.5" DIAMETER TUBING

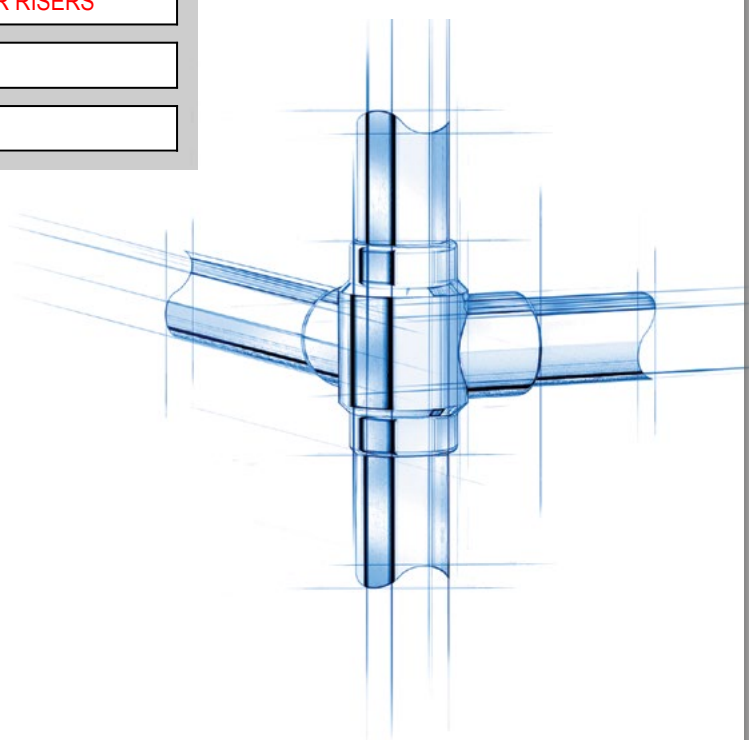
See Page 87 for 1.0" dia. & Page 89 for 0.75" dia.

MODEL NUMBERS FOR LEG SYSTEM

LEGS	DIA	MODEL	DESCRIPTION
1-LEG	1.5"	S150	LEG SINGLE 1.5" STUDIO
2-LEG	1.5"	LS2S	LEG SYS 2-LEG 1.5" STUDIO w/REAR RISERS
		LS2SNR	LEG SYS 2-LEG 1.5" STUDIO NO REAR RISERS
3-LEG	1.5"	LS3S	LEG SYS 3-LEG 1.5" STUDIO w/REAR RISERS
		LS3SNR	LEG SYS 3-LEG 1.5" STUDIO NO REAR RISERS
4-LEG	1.5"	LS4S	LEG SYS 4-LEG 1.5" STUDIO
5-LEG	1.5"	LS5S	LEG SYS 5-LEG 1.5" STUDIO

Available Finishes

AVAILABLE IN ALL 16 PALMER FINISHES
please see page 106 for details



can be field cut to reduce size

* front riser(s) should be considered for counters 48" or wider (see pg. 112)

COMPATIBLE OPTIONS & ACCESSORIES

ONLY the options & accessories listed below may be used with this STUDIO style

TURN TO OPTIONS PAGE 110

Please select only from the Options & Accessories listed here for use with this STUDIO style



Turn to the Options & Finishes Tab Page for Details

Towel Shelf Options:

Tubular Metal Shelf	(TS)
Glass Shelf	(GS)
Teak Wood Shelf	(WS)

Shelf Support Options:
required for all shelves

Rail Shelf Support	(SS_R)
Low Profile Shelf Support	(SS_LP)
Clip Shelf Support	(SS_C)
Split Collar Shelf Support	(SS_SC)

Additional Options & Accessories:

Front Riser	(FR)
Split Diameter	(SD)
ADA Compliant Configuration	(ADA)
Curved Crossbar	(CURV)
Solid Acrylic Rod	(ACR)
Reeded Tubing	(RT)
Wall Brackets: non-standard	(WB)
Auxiliary Towel Rail	(TR)
TP Holder	(TP)

For sizes larger than shown, and/or custom configurations, please contact Palmer for a quote

Table of Contents

Styles	Images	Details
<i>Classic Collection</i>		
T	Tapered Foot	12 48
C	Decorative Collar	13 52
BL	Ball Foot	14 56
B	Bun Foot	15 60
<i>Traditional Collection</i>		
E	Essex	16 64
W	Westport	17 66
CAP	Capital	18 68
K	Kingston	19 70
V	Victorian	20 72
P	Providence	21 74
REN	Renaissance	22 76
PREN	Petite Renaissance	23 77
N	Newport	24 78
BAY	Bayonne	25 80
FR	Franklin	25 81
EM	Embry	26 82
SH	Soho	27 83
<i>Modern Collection</i>		
S	Studio	28 84
M	Minimal	29 90
MET	Metro	30 92
MOD	Modern	31 96
SQ	Square	32 98
L	Linear	33 100
J	Jamestown	34 101
BR	Bristol	35 102
<i>Wall Mount Collection</i>		
REG	Regency	36 103
A	Apex	37 104
SG	Signature	38 105

Finishes, Options & Accessories

Finishes & Materials	40	106
Shelving & Supports	42	110
Options & Accessories	44	112

Appendices

Dealers & Resources	116
Estimates & Orders	117
China Sinks	119
Anatomy of a Leg System	120
Tubing Diameter Reference	121



1.0" DIAMETER TUBING

See Page 84 for 1.5" dia. & Page 88 for 0.75" dia.

SELECT LEG SYSTEM CONFIGURATION

choose the configuration that best suits your counter size and number of sinks

1-LEG
ANY WIDTH COUNTER
Wall Bracket not included with single legs - see pg. 114
32" OR SPECIFY
1"

2-LEG
UP TO 60" W COUNTERS
1 OR 2 SINKS
Standard Counter Size: 36"W x 24"D
32" OR SPECIFY
32" OR SPECIFY
Wall Bracket
22" OR SPECIFY
Optional Decorative Rear-Risers
Front View
Side View

3-LEG
UP TO 90" W COUNTERS
2 SINKS
Standard Counter Size: 72"W x 24"D
32" OR SPECIFY
Wall Bracket
Includes Center Wall Return
68" OR SPECIFY
22" OR SPECIFY
Optional Decorative Rear-Risers
Front View
Side View

4-LEG
UP TO 60" W COUNTERS
1 OR 2 SINKS
Standard Counter Size: 36"W x 24"D
32" OR SPECIFY
Wall Bracket
32" OR SPECIFY
22" OR SPECIFY
Front View
Side View

5-LEG
UP TO 90" W COUNTERS
2 SINKS
Standard Counter Size: 72"W x 24"D
32" OR SPECIFY
Wall Bracket
Includes Center Wall Return
68" OR SPECIFY
22" OR SPECIFY
Front View
Side View

Standard Wall Bracket(s) included with all leg systems
Custom Configurations are available - if you don't see what you want please call Palmer Customer Support



R-060326
R-060326



1.0" DIAMETER TUBING

See Page 85 for 1.5" dia. & Page 89 for 0.75" dia.

MODEL NUMBERS FOR LEG SYSTEM

LEGS	DIA	MODEL	DESCRIPTION
1-LEG	1.0"	S100	LEG SINGLE 1.0" STUDIO
2-LEG	1.0"	LS21S	LEG SYS 2-LEG 1.0" STUDIO w/REAR RISERS
		LS21ANR	LEG SYS 2-LEG 1.0" STUDIO NO REAR RISERS
3-LEG	1.0"	LS31S	LEG SYS 3-LEG 1.0" STUDIO w/REAR RISERS
		LS31SNR	LEG SYS 3-LEG 1.0" STUDIO NO REAR RISERS
4-LEG	1.0"	LS41S	LEG SYS 4-LEG 1.0" STUDIO
5-LEG	1.0"	LS51S	LEG SYS 5-LEG 1.0" STUDIO

Available Finishes

AVAILABLE IN ALL 16 PALMER FINISHES
please see page 106 for details



can be field cut to reduce size

* front riser(s) should be considered for counters 48" or wider (see pg. 112)

COMPATIBLE OPTIONS & ACCESSORIES

ONLY the options & accessories listed below may be used with this STUDIO style

TURN TO OPTIONS PAGE 110

Please select only from the Options & Accessories listed here for use with this STUDIO style



Turn to the Options & Finishes Tab Page for Details

Towel Shelf Options:

- Tubular Metal Shelf (TS)
- Glass Shelf (GS)
- Teak Wood Shelf (WS)

Shelf Support Options: required for all shelves

- Rail Shelf Support (SS_R)
- Low Profile Shelf Support (SS_LP)
- Clip Shelf Support (SS_C)
- Split Collar Shelf Support (SS_SC)

Additional Options & Accessories:

- Front Riser (FR) ADA
- Compliant Configuration (ADA) Curved Crossbar (CURV)
- Reeded Tubing (RT)
- Wall Brackets: non-standard (WB)
- Auxiliary Towel Rail (TR)
- TP Holder (TP)

Table of Contents

Styles	Images	Details
<i>Classic Collection</i>		
T Tapered Foot	12	48
C Decorative Collar	13	52
BL Ball Foot	14	56
B Bun Foot	15	60
<i>Traditional Collection</i>		
E Essex	16	64
W Westport	17	66
CAP Capital	18	68
K Kingston	19	70
V Victorian	20	72
P Providence	21	74
REN Renaissance	22	76
PREN Petite Renaissance	23	77
N Newport	24	78
BAY Bayonne	25	80
FR Franklin	25	81
EM Embry	26	82
SH Soho	27	83
<i>Modern Collection</i>		
S Studio	28	84
M Minimal	29	90
MET Metro	30	92
MOD Modern	31	96
SQ Square	32	98
L Linear	33	100
J Jamestown	34	101
BR Bristol	35	102
<i>Wall Mount Collection</i>		
REG Regency	36	103
A Apex	37	104
SG Signature	38	105

Finishes, Options & Accessories

Finishes & Materials	40	106
Shelving & Supports	42	110
Options & Accessories	44	112

Appendices

Dealers & Resources	116
Estimates & Orders	117
China Sinks	119
Anatomy of a Leg System	120
Tubing Diameter Reference	121

For sizes larger than shown, and/or custom configurations, please contact Palmer for a quote

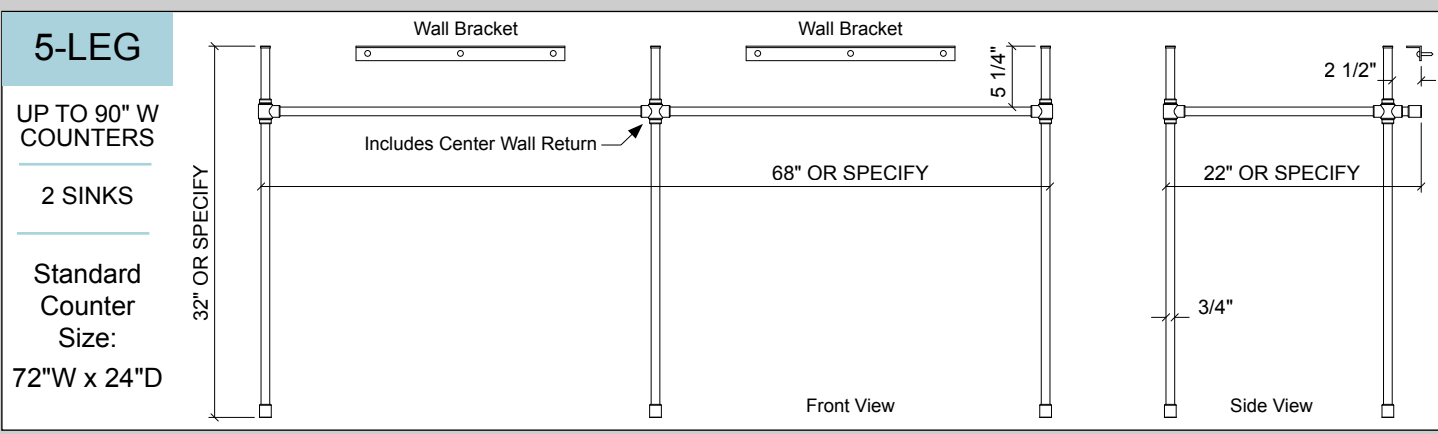
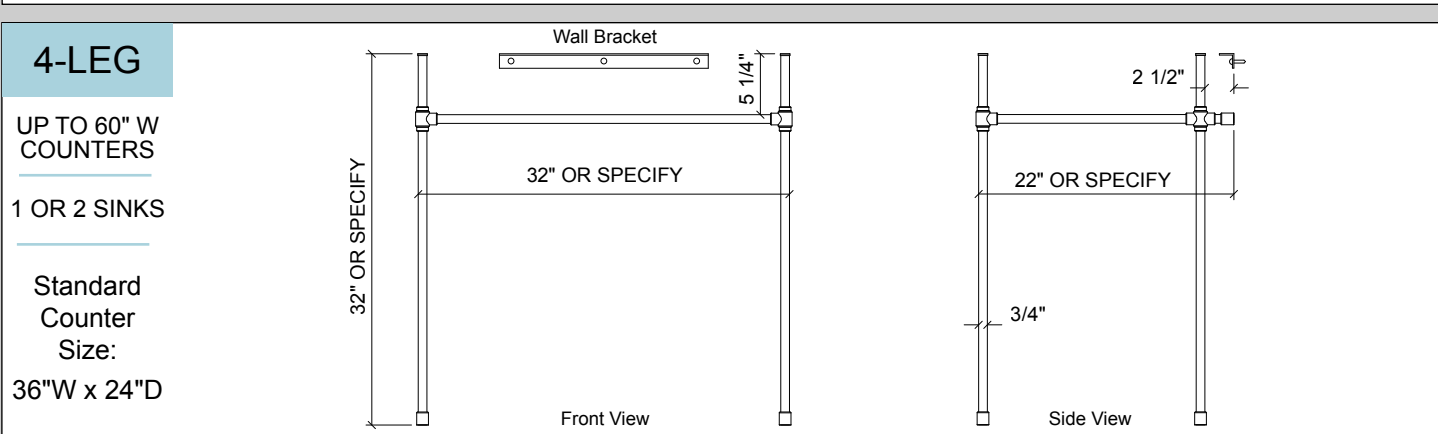
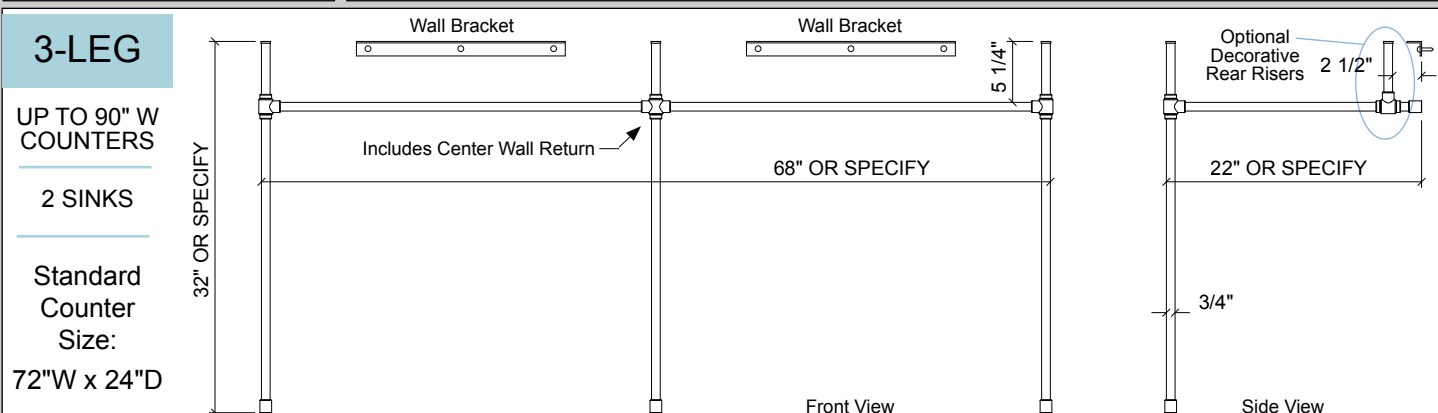
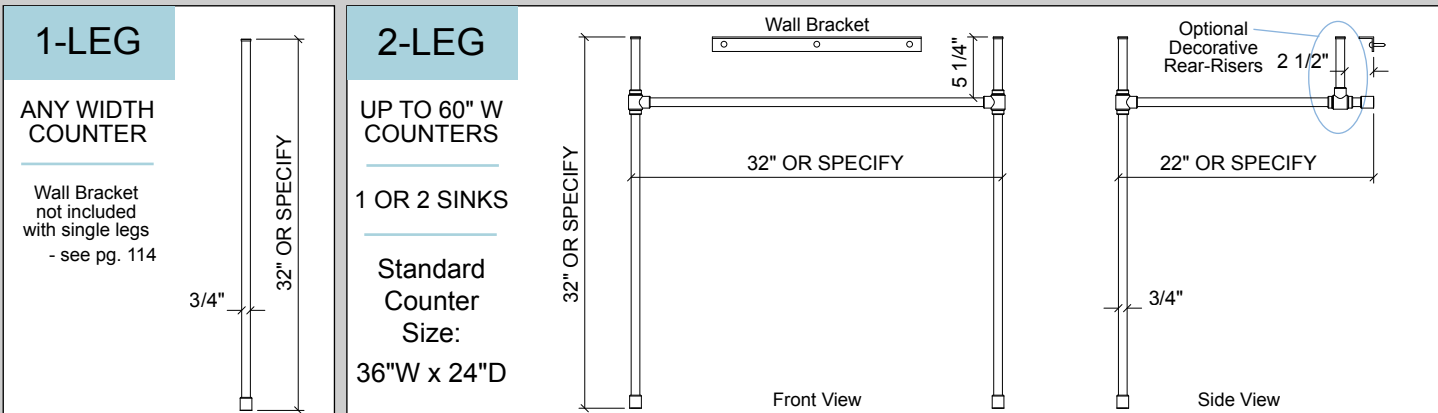


0.75" DIAMETER TUBING

See Page 84 for 1.5" dia. & Page 86 for 1.0" dia.

SELECT LEG SYSTEM CONFIGURATION

choose the configuration that best suits your counter size and number of sinks



Standard Wall Bracket(s) included with all leg systems
Custom Configurations are available - if you don't see what you want please call Palmer Customer Support



0.75" DIAMETER TUBING

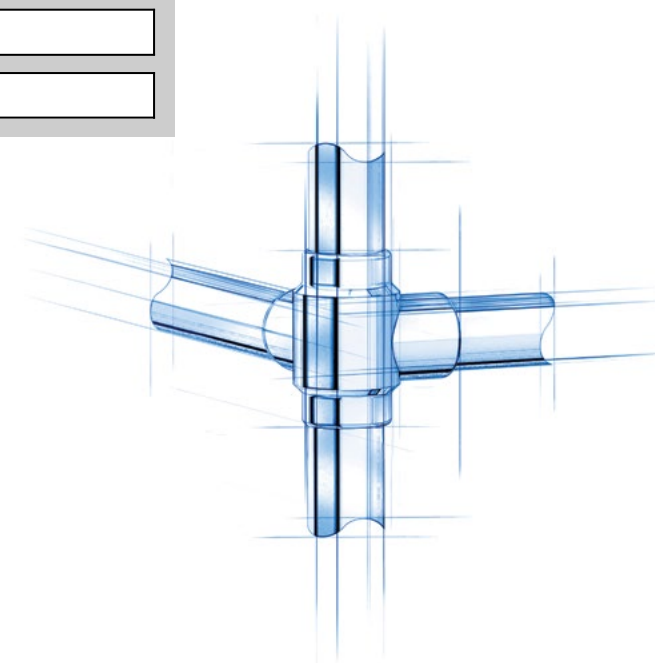
See Page 85 for 1.5" dia. & Page 87 for 1.0" dia.

MODEL NUMBERS FOR LEG SYSTEM

LEGS	DIA	MODEL	DESCRIPTION
1-LEG	0.75"	S075	LEG SINGLE 0.75" STUDIO
2-LEG	0.75"	LS234S	LEG SYS 2-LEG 0.75" STUDIO w/REAR RISERS
		LS234SNR	LEG SYS 2-LEG 0.75" STUDIO NO REAR RISERS
3-LEG	0.75"	LS334S	LEG SYS 3-LEG 0.75" STUDIO w/REAR RISERS
		LS334SNR	LEG SYS 3-LEG 0.75" STUDIO NO REAR RISERS
4-LEG	0.75"	LS434S	LEG SYS 4-LEG 0.75" STUDIO
5-LEG	0.75"	LS534S	LEG SYS 5-LEG 0.75" STUDIO

Available Finishes

AVAILABLE IN ALL 16 PALMER FINISHES
please see page 106 for details



can be field cut to reduce size

* front riser(s) should be considered for counters 48" or wider (see pg. 112)

COMPATIBLE OPTIONS & ACCESSORIES

ONLY the options & accessories listed below may be used with this STUDIO style

TURN TO OPTIONS PAGE 110

Please select only from the Options & Accessories listed here for use with this STUDIO style



Turn to the Options & Finishes Tab Page for Details

Towel Shelf Options:

- Tubular Metal Shelf (TS)
- Glass Shelf (GS)
- Teak Wood Shelf (WS)

Shelf Support Options:
required for all shelves

- Rail Shelf Support (SS_R)
- Split Collar Shelf Support (SS_SC)

Additional Options & Accessories:

- ADA Compliant Configuration (ADA)
- Curved Crossbar (CURV)
- Wall Brackets: non-standard (WB)

Table of Contents

Styles	Images	Details
<i>Classic Collection</i>		
T Tapered Foot	12	48
C Decorative Collar	13	52
BL Ball Foot	14	56
B Bun Foot	15	60
<i>Traditional Collection</i>		
E Essex	16	64
W Westport	17	66
CAP Capital	18	68
K Kingston	19	70
V Victorian	20	72
P Providence	21	74
REN Renaissance	22	76
PREN Petite Renaissance	23	77
N Newport	24	78
BAY Bayonne	25	80
FR Franklin	25	81
EM Embry	26	82
SH Soho	27	83
<i>Modern Collection</i>		
S Studio	28	84
M Minimal	29	90
MET Metro	30	92
MOD Modern	31	96
SQ Square	32	98
L Linear	33	100
J Jamestown	34	101
BR Bristol	35	102
<i>Wall Mount Collection</i>		
REG Regency	36	103
A Apex	37	104
SG Signature	38	105

Finishes, Options & Accessories

Finishes & Materials	40	106
Shelving & Supports	42	110
Options & Accessories	44	112

Appendices

Dealers & Resources	116
Estimates & Orders	117
China Sinks	119
Anatomy of a Leg System	120
Tubing Diameter Reference	121

For sizes larger than shown, and/or custom configurations, please contact Palmer for a quote





Styles

Images
Details

Classic Collection

T	Tapered Foot	12	48
C	Decorative Collar	13	52
BL	Ball Foot	14	56
B	Bun Foot	15	60

Traditional Collection

E	Essex	16	64
W	Westport	17	66
CAP	Capital	18	68
K	Kingston	19	70
V	Victorian	20	72
P	Providence	21	74
REN	Renaissance	22	76
PREN	Petite Renaissance	23	77
N	Newport	24	78
BAY	Bayonne	25	80
FR	Franklin	25	81
EM	Embry	26	82
SH	Soho	27	83

Modern Collection

S	Studio	28	84
M	Minimal	29	90
MET	Metro	30	92
MOD	Modern	31	96
SQ	Square	32	98
L	Linear	33	100
J	Jamestown	34	101
BR	Bristol	35	102

Wall Mount Collection

REG	Regency	36	103
A	Apex	37	104
SG	Signature	38	105

Finishes, Options & Accessories

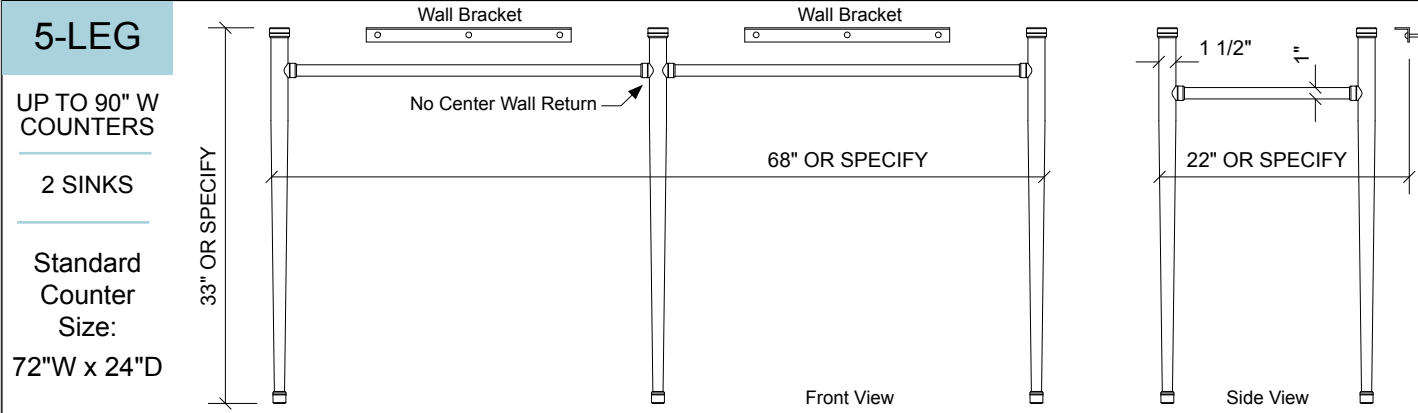
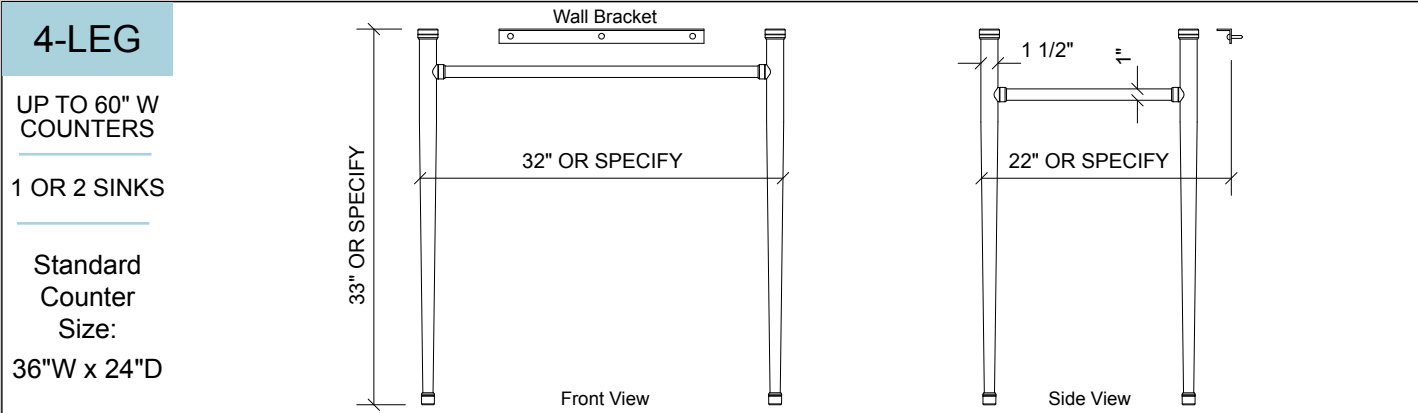
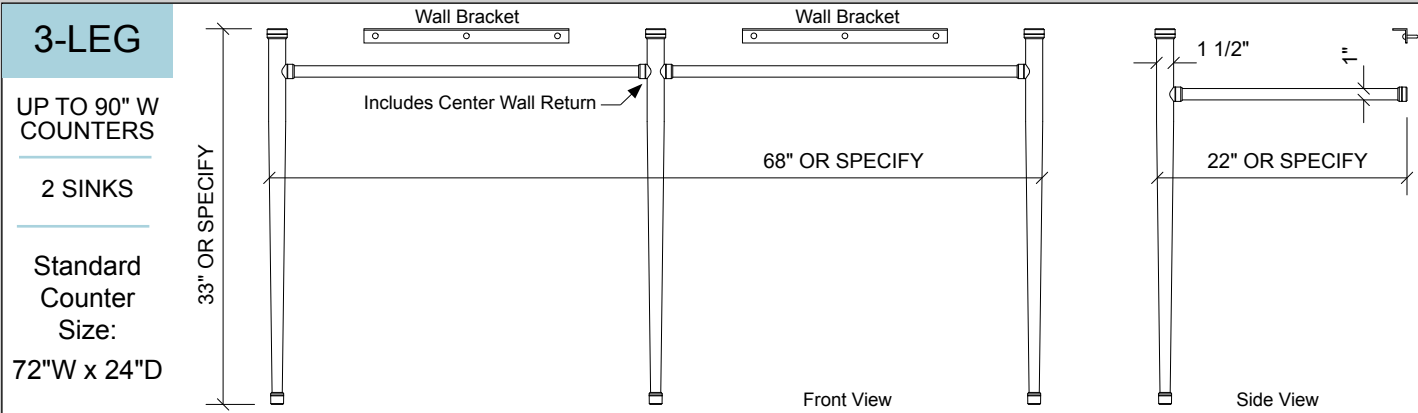
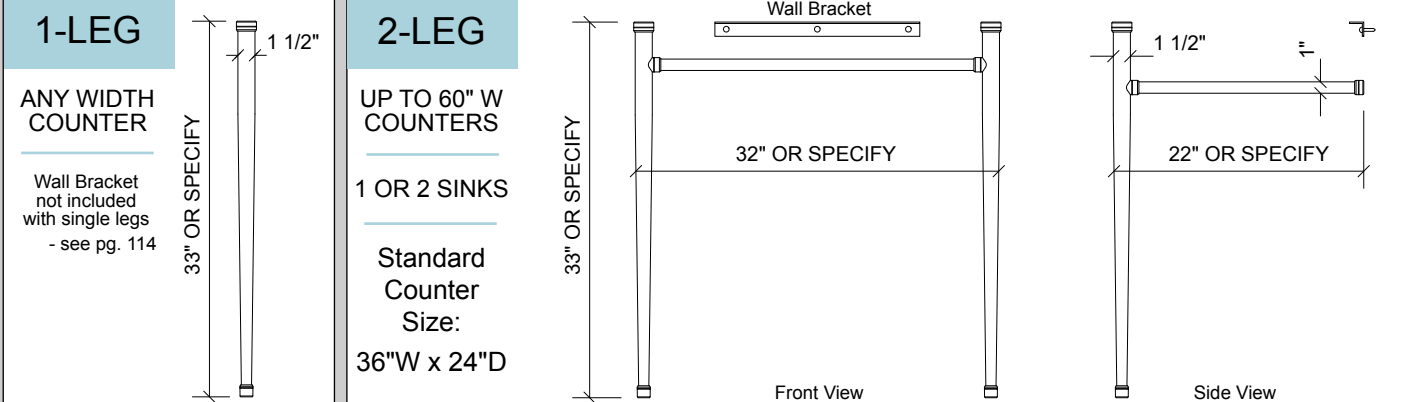
Finishes & Materials	40	106
Shelving & Supports	42	110
Options & Accessories	44	112

Appendices

Dealers & Resources	116
Estimates & Orders	117
China Sinks	119
Anatomy of a Leg System	120
Tubing Diameter Reference	121

SELECT LEG SYSTEM CONFIGURATION

choose the configuration that best suits your counter size and number of sinks



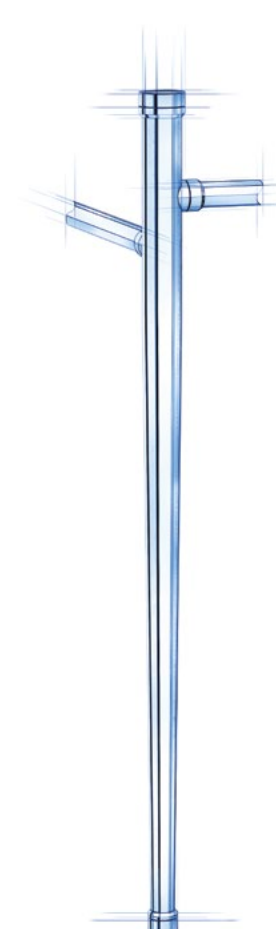
Standard Wall Bracket(s) included with all leg systems
Custom Configurations are available - if you don't see what you want
please call Palmer Customer Support

MODEL NUMBERS FOR LEG SYSTEM

LEGS	DIA	MODEL	DESCRIPTION
1-LEG	1.5"	M150	LEG SINGLE 1.5" MINIMAL
2-LEG	1.5"	LS2M	LEG SYS 2-LEG 1.5" MINIMAL
3-LEG	1.5"	LS3M	LEG SYS 3-LEG 1.5" MINIMAL
4-LEG	1.5"	LS4M	LEG SYS 4-LEG 1.5" MINIMAL
5-LEG	1.5"	LS5M	LEG SYS 5-LEG 1.5" MINIMAL

Available Finishes

AVAILABLE IN ALL 16 PALMER FINISHES
please see page 106 for details



* the Minimal style requires a minimum leg height of 33" due to the tapered leg shape
width & depth can be field cut to reduce size

COMPATIBLE OPTIONS & ACCESSORIES

ONLY the options & accessories listed below may be used with this MINIMAL style

TURN TO OPTIONS
PAGE 110

Please select only from the
Options & Accessories listed here
for use with the MINIMAL style



Turn to the Options & Finishes
Tab Page for Details

Towel Shelf Options:

- Tubular Metal Shelf (TS)
- Glass Shelf (GS)
- Teak Wood Shelf (WS)

Shelf Support Options:
required for all shelves

- Low Profile Shelf Support (SS_LP)
- Clip Shelf Support (SS_C)

Additional Options & Accessories:

- ADA Compliant Configuration (ADA)
- Curved Crossbar (CURV)
- Reeded Horizontal Tubing (RTH)
- Wall Brackets: non-standard (WB)
- Auxiliary Towel Rail (TR)
- TP Holder (TP)

For sizes larger than shown, and/or custom configurations, please contact Palmer for a quote



R-060326

R-060326



Metro

SEE PHOTO ON PG. 30



LEG SYSTEM CONFIGURATIONS

1.5" DIAMETER TUBING

See Page 94 for 1.0" diameter

Metro

SEE PHOTO ON PG. 30



SPECIFICATIONS

1.5" DIAMETER TUBING

See Page 95 for 1.0" diameter



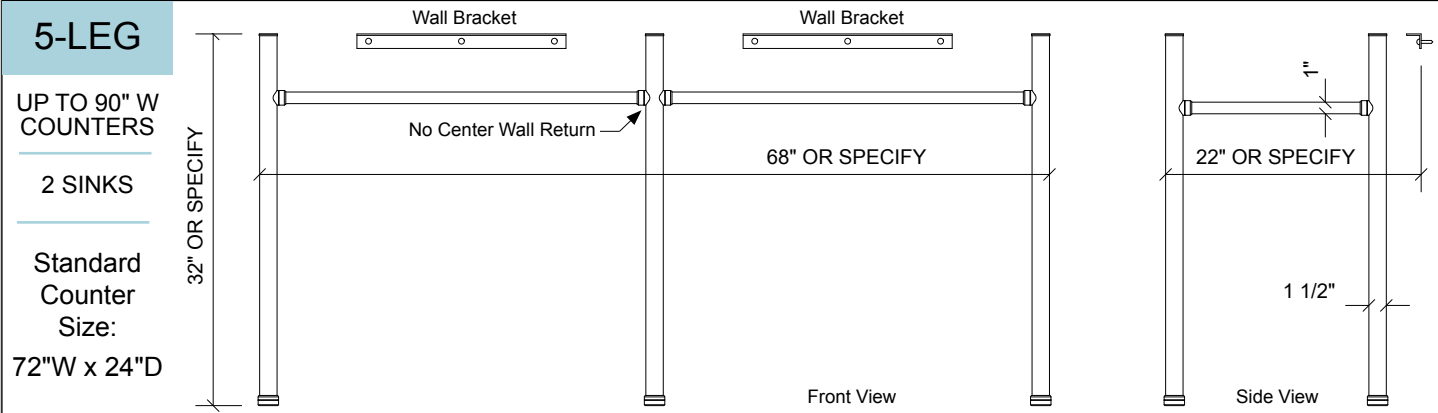
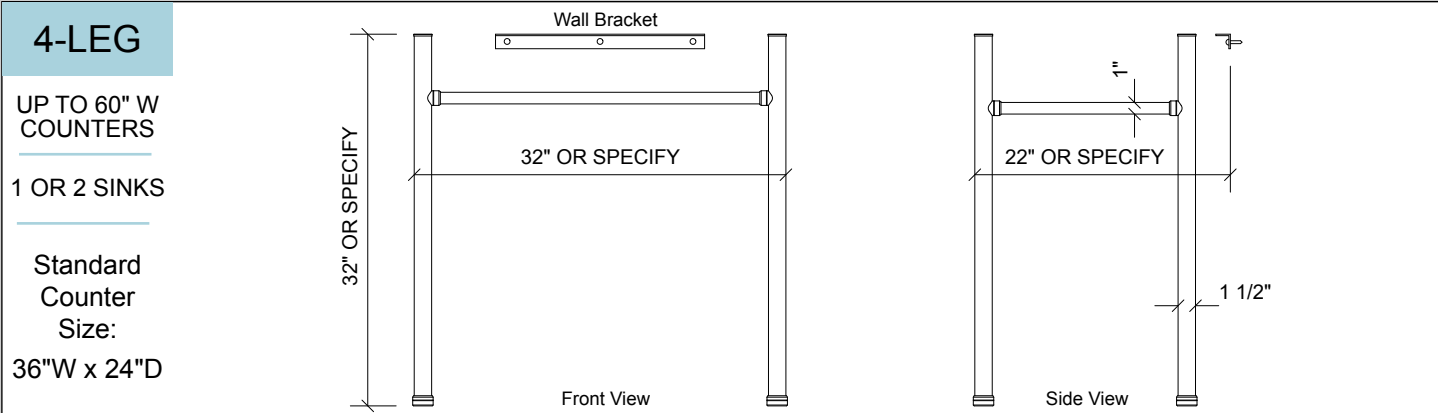
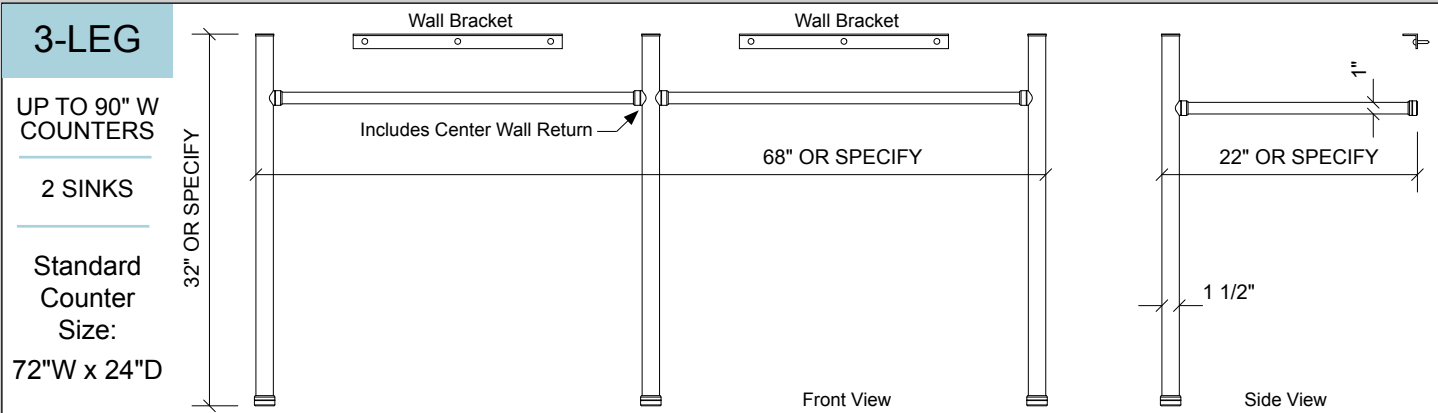
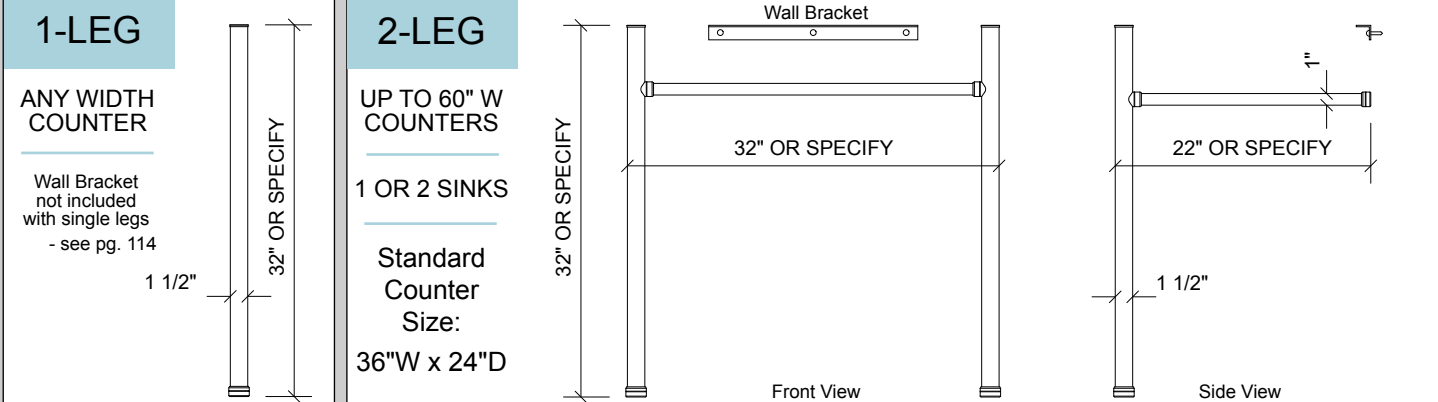
Table of Contents

Styles

Style	Images	Details
<i>Classic Collection</i>		
T Tapered Foot	12	48
C Decorative Collar	13	52
BL Ball Foot	14	56
B Bun Foot	15	60
<i>Traditional Collection</i>		
E Essex	16	64
W Westport	17	66
CAP Capital	18	68
K Kingston	19	70
V Victorian	20	72
P Providence	21	74
REN Renaissance	22	76
PREN Petite Renaissance	23	77
N Newport	24	78
BAY Bayonne	25	80
FR Franklin	25	81
EM Embry	26	82
SH Soho	27	83
<i>Modern Collection</i>		
S Studio	28	84
M Minimal	29	90
MET Metro	30	92
MOD Modern	31	96
SQ Square	32	98
L Linear	33	100
J Jamestown	34	101
BR Bristol	35	102
<i>Wall Mount Collection</i>		
REG Regency	36	103
A Apex	37	104
SG Signature	38	105

SELECT LEG SYSTEM CONFIGURATION

choose the configuration that best suits your counter size and number of sinks



Standard Wall Bracket(s) included with all leg systems
Custom Configurations are available - if you don't see what you want please call Palmer Customer Support

MODEL NUMBERS FOR LEG SYSTEM

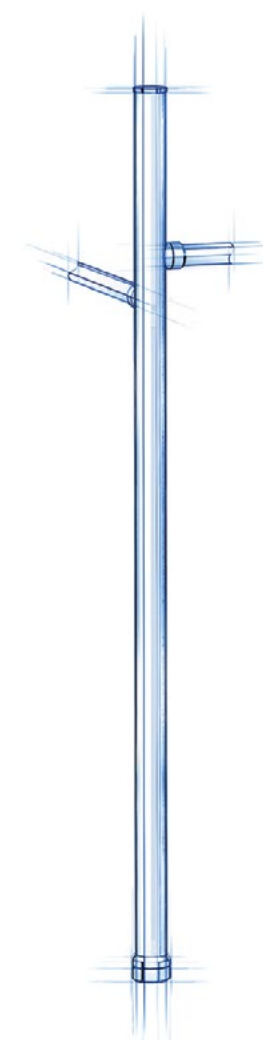
LEGS	DIA	MODEL	DESCRIPTION
1-LEG	1.5"	MET150	LEG SINGLE 1.5" METRO
2-LEG	1.5"	LS2MET	LEG SYS 2-LEG 1.5" METRO
3-LEG	1.5"	LS3MET	LEG SYS 3-LEG 1.5" METRO
4-LEG	1.5"	LS4MET	LEG SYS 4-LEG 1.5" METRO
5-LEG	1.5"	LS5MET	LEG SYS 5-LEG 1.5" METRO

Available Finishes

AVAILABLE IN ALL 16 PALMER FINISHES
please see page 106 for details



can be field cut to reduce size



COMPATIBLE OPTIONS & ACCESSORIES

ONLY the options & accessories listed below may be used with this METRO style

TURN TO OPTIONS
PAGE 110

Please select only from the Options & Accessories listed here for use with this METRO style



Turn to the Options & Finishes Tab Page for Details

Towel Shelf Options:

- Tubular Metal Shelf (TS)
- Glass Shelf (GS)
- Teak Wood Shelf (WS)

Shelf Support Options: required for all shelves

- Low Profile Shelf Support (SS_LP)
- Clip Shelf Support (SS_C)
- Split Collar Shelf Support (SS_SC)

Additional Options & Accessories:

- ADA Compliant Configuration (ADA)
- Curved Crossbar (CURV)
- Reeded Tubing (RT)
- Wall Brackets: non-standard (WB)
- Auxiliary Towel Rail (TR)
- TP Holder (TP)

For sizes larger than shown, and/or custom configurations, please contact Palmer for a quote

Appendices

Dealers & Resources	116
Estimates & Orders	117
China Sinks	119
Anatomy of a Leg System	120
Tubing Diameter Reference	121



Metro

SEE PHOTO ON PG. 30



LEG SYSTEM CONFIGURATIONS

1.0" DIAMETER TUBING

See page 92 for 1.5" diameter

Metro

SEE PHOTO ON PG. 30



SPECIFICATIONS

1.0" DIAMETER TUBING

See page 93 for 1.5" diameter



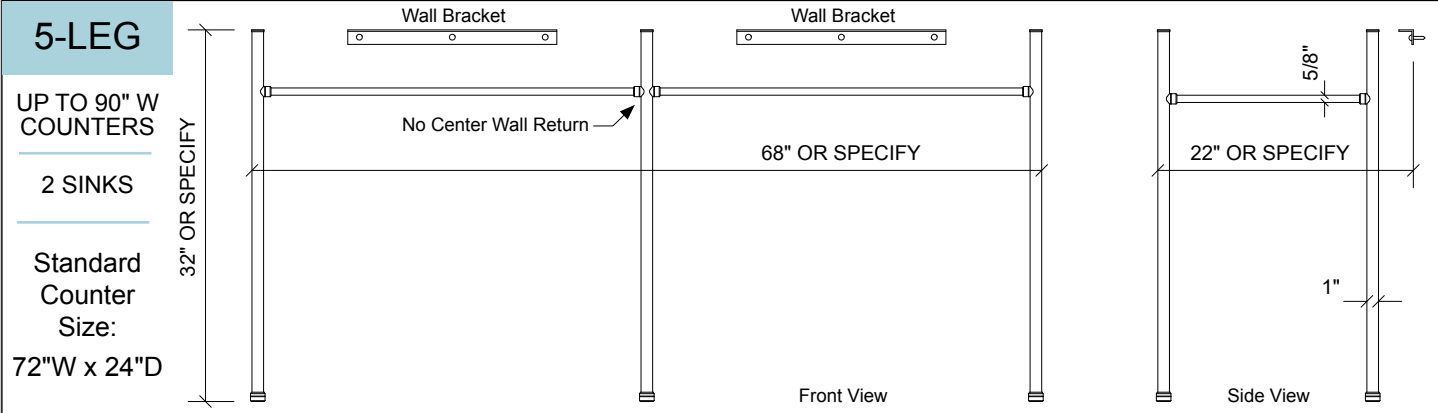
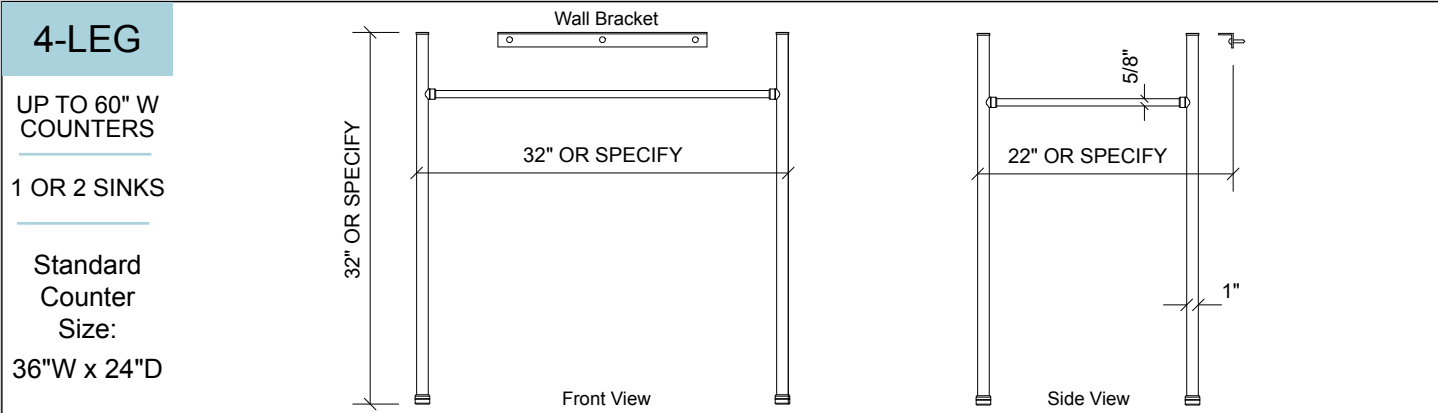
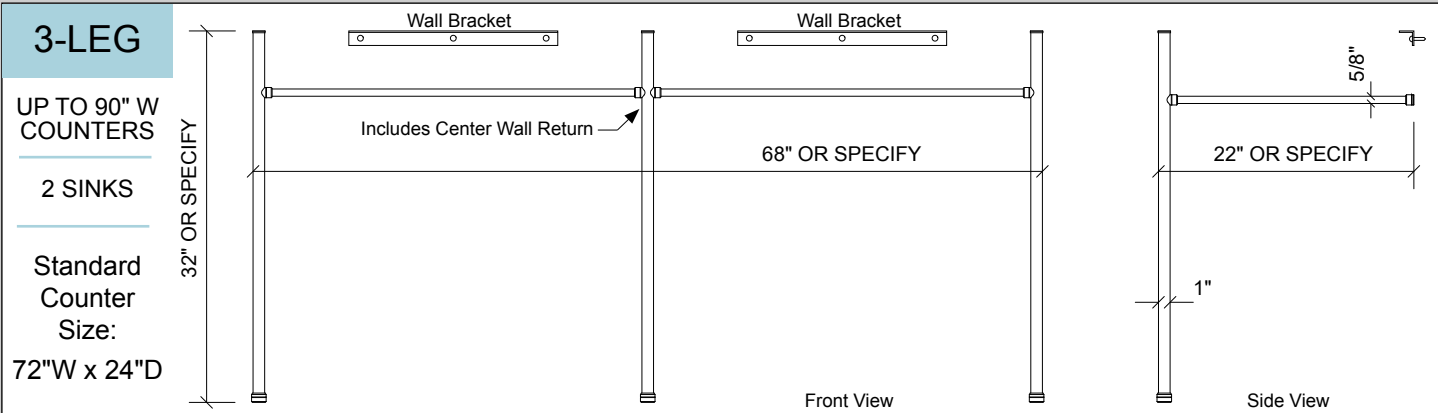
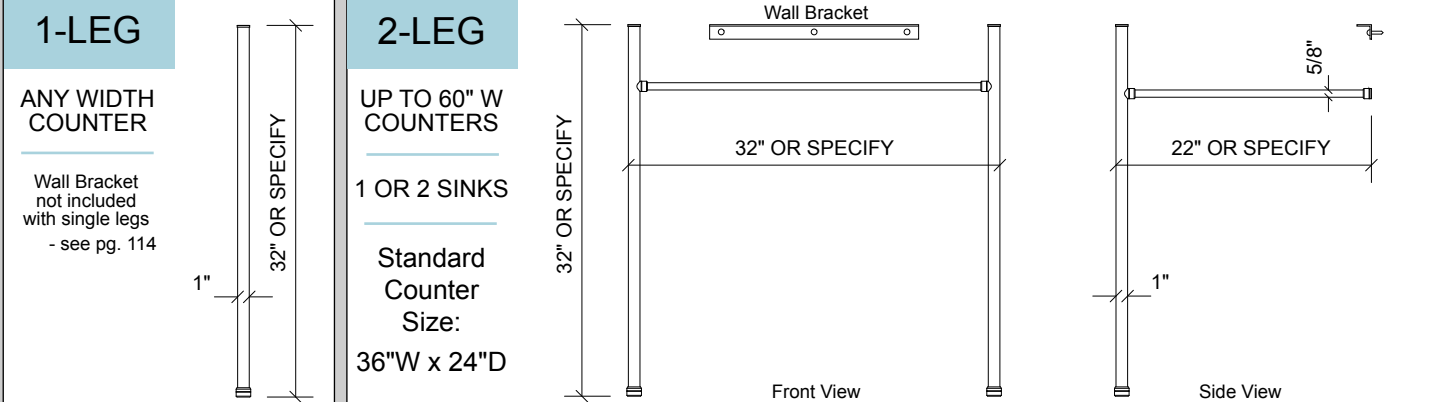
Table of Contents

Styles

Style	Images	Details
Classic Collection		
T Tapered Foot	12	48
C Decorative Collar	13	52
BL Ball Foot	14	56
B Bun Foot	15	60
Traditional Collection		
E Essex	16	64
W Westport	17	66
CAP Capital	18	68
K Kingston	19	70
V Victorian	20	72
P Providence	21	74
REN Renaissance	22	76
PREN Petite Renaissance	23	77
N Newport	24	78
BAY Bayonne	25	80
FR Franklin	25	81
EM Embry	26	82
SH Soho	27	83
Modern Collection		
S Studio	28	84
M Minimal	29	90
MET Metro	30	92
MOD Modern	31	96
SQ Square	32	98
L Linear	33	100
J Jamestown	34	101
BR Bristol	35	102
Wall Mount Collection		
REG Regency	36	103
A Apex	37	104
SG Signature	38	105

SELECT LEG SYSTEM CONFIGURATION

choose the configuration that best suits your counter size and number of sinks



Standard Wall Bracket(s) included with all leg systems
Custom Configurations are available - if you don't see what you want please call Palmer Customer Support

MODEL NUMBERS FOR LEG SYSTEM

LEGS	DIA	MODEL	DESCRIPTION
1-LEG	1.0"	MET100	LEG SINGLE 1.0" METRO
2-LEG	1.0"	LS21MET	LEG SYS 2-LEG 1.0" METRO
3-LEG	1.0"	LS31MET	LEG SYS 3-LEG 1.0" METRO
4-LEG	1.0"	LS41MET	LEG SYS 4-LEG 1.0" METRO
5-LEG	1.0"	LS51MET	LEG SYS 5-LEG 1.0" METRO

Available Finishes

AVAILABLE IN ALL 16 PALMER FINISHES
please see page 106 for details



can be field cut to reduce size

COMPATIBLE OPTIONS & ACCESSORIES

ONLY the options & accessories listed below may be used with this METRO style

TURN TO OPTIONS
PAGE 110

Please select only from the Options & Accessories listed here for use with this METRO style



Turn to the Options & Finishes Tab Page for Details

Towel Shelf Options:

- Tubular Metal Shelf (TS)
- Glass Shelf (GS)
- Teak Wood Shelf (WS)

Shelf Support Options: required for all shelves

- Low Profile Shelf Support (SS_LP)
- Clip Shelf Support (SS_C)
- Split Collar Shelf Support (SS_SC)

Additional Options & Accessories:

- ADA Compliant Configuration (ADA)
- Reeded Leg Tubing (RTL)
- Wall Brackets: non-standard (WB)

For sizes larger than shown, and/or custom configurations, please contact Palmer for a quote

Appendices

Dealers & Resources	116
Estimates & Orders	117
China Sinks	119
Anatomy of a Leg System	120
Tubing Diameter Reference	121



Styles

Images
Details

Classic Collection

T	Tapered Foot	12	48
C	Decorative Collar	13	52
BL	Ball Foot	14	56
B	Bun Foot	15	60

Traditional Collection

E	Essex	16	64
W	Westport	17	66
CAP	Capital	18	68
K	Kingston	19	70
V	Victorian	20	72
P	Providence	21	74
REN	Renaissance	22	76
PREN	Petite Renaissance	23	77
N	Newport	24	78
BAY	Bayonne	25	80
FR	Franklin	25	81
EM	Embry	26	82
SH	Soho	27	83

Modern Collection

S	Studio	28	84
M	Minimal	29	90
MET	Metro	30	92
MOD	Modern	31	96
SQ	Square	32	98
L	Linear	33	100
J	Jamestown	34	101
BR	Bristol	35	102

Wall Mount Collection

REG	Regency	36	103
A	Apex	37	104
SG	Signature	38	105

Finishes, Options & Accessories

Finishes & Materials	40	106
Shelving & Supports	42	110
Options & Accessories	44	112

Appendices

Dealers & Resources	116
Estimates & Orders	117
China Sinks	119
Anatomy of a Leg System	120
Tubing Diameter Reference	121

SELECT LEG SYSTEM CONFIGURATION

choose the configuration that best suits your counter size and number of sinks

1-LEG
ANY WIDTH COUNTER
Wall Bracket not included with single legs - see pg. 114
1 1/2" / 32" OR SPECIFY

2-LEG
UP TO 60" W COUNTERS
1 OR 2 SINKS
Standard Counter Size: 36"W x 24"D
32" OR SPECIFY / 22" OR SPECIFY / 1 1/2"

3-LEG
UP TO 90" W COUNTERS
2 SINKS
Standard Counter Size: 72"W x 24"D
32" OR SPECIFY / 68" OR SPECIFY / 22" OR SPECIFY / 1 1/2"

4-LEG
UP TO 60" W COUNTERS
1 OR 2 SINKS
Standard Counter Size: 36"W x 24"D
32" OR SPECIFY / 22" OR SPECIFY / 1 1/2"

5-LEG
UP TO 90" W COUNTERS
2 SINKS
Standard Counter Size: 72"W x 24"D
32" OR SPECIFY / 68" OR SPECIFY / 22" OR SPECIFY / 1 1/2"

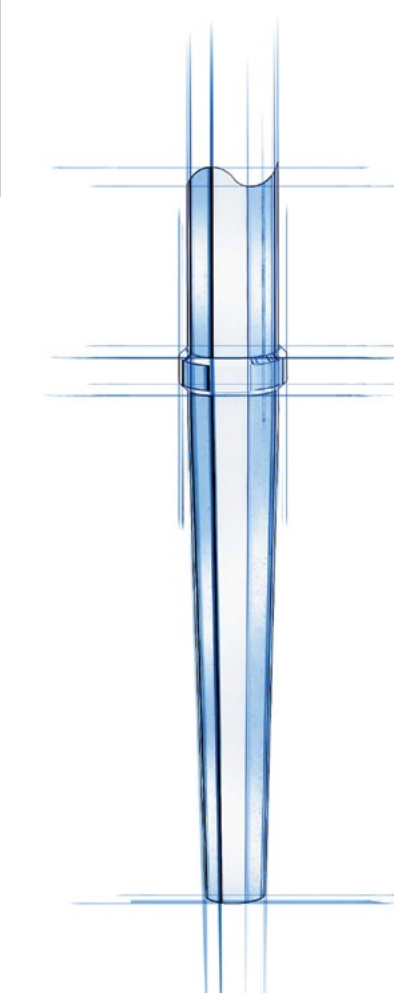
Standard Wall Bracket(s) included with all leg systems
Custom Configurations are available - if you don't see what you want please call Palmer Customer Support

MODEL NUMBERS FOR LEG SYSTEM

LEGS	DIA	MODEL	DESCRIPTION
1-LEG	1.5"	MOD150	LEG SINGLE 1.5" MODERN
2-LEG	1.5"	LS2MOD	LEG SYS 2-LEG 1.5" MODERN
3-LEG	1.5"	LS3MOD	LEG SYS 3-LEG 1.5" MODERN
4-LEG	1.5"	LS4MOD	LEG SYS 4-LEG 1.5" MODERN
5-LEG	1.5"	LS5MOD	LEG SYS 5-LEG 1.5" MODERN

Available Finishes

AVAILABLE IN ALL 16 PALMER FINISHES
please see page 106 for details



width & depth can be field cut to reduce size

COMPATIBLE OPTIONS & ACCESSORIES

ONLY the options & accessories listed below may be used with this MODERN style

TURN TO OPTIONS PAGE 110

Please select only from the Options & Accessories listed here for use with the MODERN style



Turn to the Options & Finishes Tab Page for Details

Towel Shelf Options:

- Tubular Metal Shelf (TS)
- Glass Shelf (GS)
- Teak Wood Shelf (WS)

Shelf Support Options:
required for all shelves

- Low Profile Shelf Support (SS_LP)
- Clip Shelf Support (SS_C)

Additional Options & Accessories:

- ADA Compliant Configuration (ADA)
- Curved Crossbar (CURV)
- Reeded Horizontal Tubing (RTH)
- Hammered Ball Fittings (HB)
- Wall Brackets: non-standard (WB)
- Auxiliary Towel Rail (TR)
- TP Holder (TP)

For sizes larger than shown, and/or custom configurations, please contact Palmer for a quote



SELECT LEG SYSTEM CONFIGURATION

choose the configuration that best suits your counter size and number of sinks

1-LEG
ANY WIDTH COUNTER
Wall Bracket not included with single legs - see pg. 114
32" OR SPECIFY
1 1/2"

2-LEG
UP TO 60" W COUNTERS
1 OR 2 SINKS
Standard Counter Size: 36"W x 24"D
32" OR SPECIFY
32" OR SPECIFY
22" OR SPECIFY
1 1/2"
Front View Side View

3-LEG
UP TO 90" W COUNTERS
2 SINKS
Standard Counter Size: 72"W x 24"D
32" OR SPECIFY
68" OR SPECIFY
22" OR SPECIFY
1 1/2"
Front View Side View

4-LEG
UP TO 60" W COUNTERS
1 OR 2 SINKS
Standard Counter Size: 36"W x 24"D
32" OR SPECIFY
32" OR SPECIFY
22" OR SPECIFY
1 1/2"
Front View Side View

5-LEG
UP TO 90" W COUNTERS
2 SINKS
Standard Counter Size: 72"W x 24"D
32" OR SPECIFY
68" OR SPECIFY
22" OR SPECIFY
1 1/2"
Front View Side View

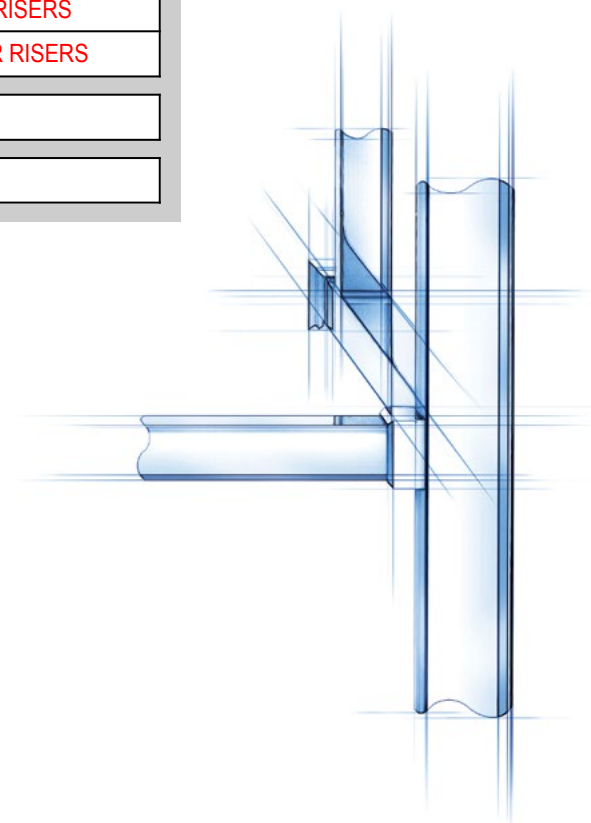
Standard Wall Bracket(s) included with all leg systems
Custom Configurations are available - if you don't see what you want please call Palmer Customer Support

MODEL NUMBERS FOR LEG SYSTEM

LEGS	DIA	MODEL	DESCRIPTION
1-LEG	1.5"Sq	SQ150	LEG SINGLE 1.5" SQUARE
2-LEG	1.5"Sq	LS2SQ	LEG SYS 2-LEG 1.5" SQUARE w/REAR RISERS
		LS2SQNR	LEG SYS 2-LEG 1.5" SQUARE NO REAR RISERS
3-LEG	1.5"Sq	LS3SQ	LEG SYS 3-LEG 1.5" SQUARE w/REAR RISERS
		LS3SQNR	LEG SYS 3-LEG 1.5" SQUARE NO REAR RISERS
4-LEG	1.5"Sq	LS4SQ	LEG SYS 4-LEG 1.5" SQUARE
5-LEG	1.5"Sq	LS5SQ	LEG SYS 5-LEG 1.5" SQUARE

Available Finishes

AVAILABLE IN ALL 16 PALMER FINISHES
please see page 106 for details



width & depth can be field cut to reduce size

COMPATIBLE OPTIONS & ACCESSORIES

ONLY the options & accessories listed below may be used with this SQUARE style

TURN TO OPTIONS PAGE 110

Please select only from the Options & Accessories listed here for use with the SQUARE style



Turn to the Options & Finishes Tab Page for Details

Towel Shelf Options:

- Tubular Metal Shelf (TS)
- Glass Shelf (GS)
- Teak Wood Shelf (WS)

Shelf Support Options:
required for all shelves

- Low Profile Shelf Support (SS_LP)

Additional Options & Accessories:

- ADA Compliant Configuration (ADA)
- Wall Brackets: non-standard (WB)
- Auxiliary Towel Rail (TR)
- TP Holder (TP)

For sizes larger than shown, and/or custom configurations, please contact Palmer for a quote

Classic Collection

T	Tapered Foot	12	48
C	Decorative Collar	13	52
BL	Ball Foot	14	56
B	Bun Foot	15	60

Traditional Collection

E	Essex	16	64
W	Westport	17	66
CAP	Capital	18	68
K	Kingston	19	70
V	Victorian	20	72
P	Providence	21	74
REN	Renaissance	22	76
PREN	Petite Renaissance	23	77
N	Newport	24	78
BAY	Bayonne	25	80
FR	Franklin	25	81
EM	Embry	26	82
SH	Soho	27	83

Modern Collection

S	Studio	28	84
M	Minimal	29	90
MET	Metro	30	92
MOD	Modern	31	96
SQ	Square	32	98
L	Linear	33	100
J	Jamestown	34	101
BR	Bristol	35	102

Wall Mount Collection

REG	Regency	36	103
A	Apex	37	104
SG	Signature	38	105

Finishes, Options & Accessories

Finishes & Materials	40	106
Shelving & Supports	42	110
Options & Accessories	44	112

Appendices

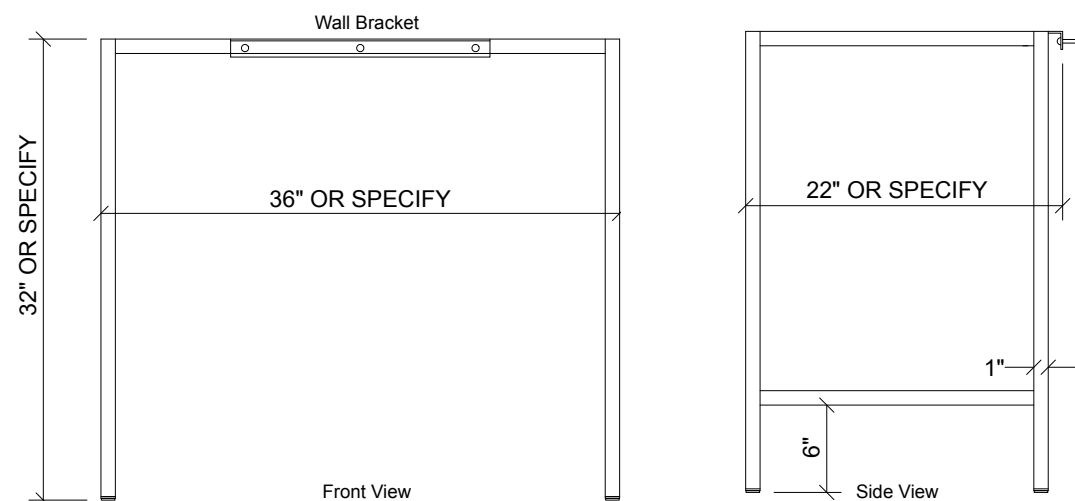
Dealers & Resources	116
Estimates & Orders	117
China Sinks	119
Anatomy of a Leg System	120
Tubing Diameter Reference	121



4-LEG

UP TO 48" W COUNTERS

Standard Counter Size: 36"W x 24"D



MODEL NUMBERS FOR LEG SYSTEM

LEGS	DIA	MODEL	DESCRIPTION
4-LEG	1.0"Sq	LS41L	LEG SYS 4-LEG 1.0" LINEAR

Available Finishes

AVAILABLE IN ALL 16 PALMER FINISHES please see page 106 for details

shown with optional glass shelf



COMPATIBLE OPTIONS & ACCESSORIES

ONLY the options & accessories listed below may be used with this LINEAR style

TURN TO OPTIONS PAGE 110

Please select only from the Options & Accessories listed here for use with the LINEAR style



Turn to the Options & Finishes Tab Page for Details

Towel Shelf Options:

- Tubular Metal Shelf (TS)
- Glass Shelf (GS)
- Teak Wood Shelf (WS)

Shelf Support Options: required for all shelves

Includes Linear Style Shelf Support

Additional Options & Accessories:

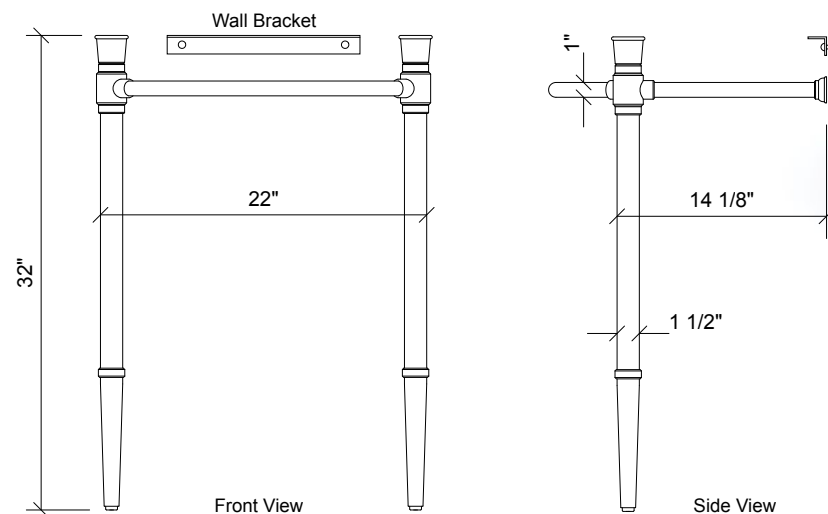
- ADA Compliant Configuration (ADA)
- Wall Brackets: non-standard (WB)
- Auxiliary Towel Rail (TR)
- TP Holder (TP)

R-060326

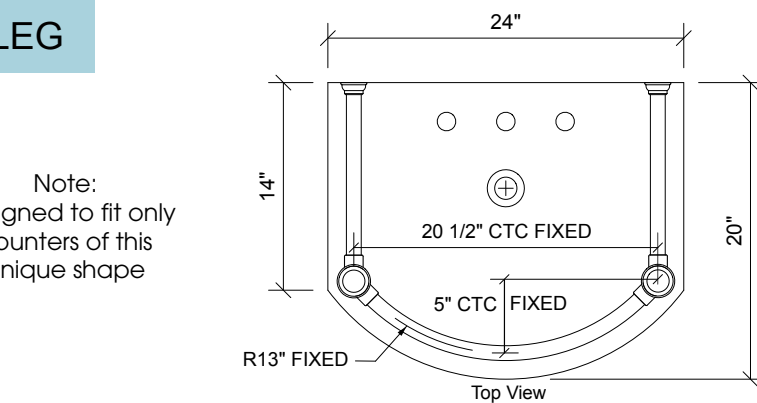
R-060326

2-LEG

Note: designed to fit only counters of this unique shape



Jamestown



Note: designed to fit only counters of this unique shape



shown with optional Teak wood shelf and low profile shelf supports

shown with Stone Forest Harbor sink

Depth can be field cut to reduce size

MODEL NUMBERS FOR LEG SYSTEM

LEGS	DIA	MODEL	DESCRIPTION
4-LEG	1.5"	LS2J	LEG SYS 2-LEG 1.5" JAMESTOWN

Available Finishes

AVAILABLE IN ALL 16 PALMER FINISHES please see page 106 for details

COMPATIBLE OPTIONS & ACCESSORIES

ONLY the options & accessories listed below may be used with this JAMESTOWN style

TURN TO OPTIONS PAGE 110

Please select only from the Options & Accessories listed here for use with the JAMESTOWN style



Turn to the Options & Finishes Tab Page for Details

Towel Shelf Options:

- Tubular Metal Shelf (TS)
- Glass Shelf (GS)
- Teak Wood Shelf (WS)

Shelf Support Options: required for all shelves

- Low Profile Shelf Support (SS_LP)
- Clip Shelf Support (SS_C)

Additional Options & Accessories:

- Wall Brackets: non-standard (WB)
- Auxiliary Towel Rail (TR)
- TP Holder (TP)

For sizes larger than shown, and/or custom configurations, please contact Palmer for a quote

Styles

Classic Collection

Style	Images	Details
T Tapered Foot	12	48
C Decorative Collar	13	52
BL Ball Foot	14	56
B Bun Foot	15	60

Traditional Collection

E Essex	16	64
W Westport	17	66
CAP Capital	18	68
K Kingston	19	70
V Victorian	20	72
P Providence	21	74
REN Renaissance	22	76
PREN Petite Renaissance	23	77
N Newport	24	78
BAY Bayonne	25	80
FR Franklin	25	81
EM Embry	26	82
SH Soho	27	83

Modern Collection

S Studio	28	84
M Minimal	29	90
MET Metro	30	92
MOD Modern	31	96
SQ Square	32	98
L Linear	33	100
J Jamestown	34	101
BR Bristol	35	102

Wall Mount Collection

REG Regency	36	103
A Apex	37	104
SG Signature	38	105

Finishes, Options & Accessories

Finishes & Materials	40	106
Shelving & Supports	42	110
Options & Accessories	44	112

Appendices

Dealers & Resources	116
Estimates & Orders	117
China Sinks	119
Anatomy of a Leg System	120
Tubing Diameter Reference	121

Standard Wall Bracket(s) included with all leg systems

Custom Configurations are available - if you don't see what you want please call Palmer Customer Support



Bristol

BR

LEG SYSTEM CONFIGURATION

SEE PHOTO ON PG. 35

Regency

REG

WALL MOUNT SYSTEM

SEE PHOTO ON PG. 36



Table of Contents

Styles

Style	Images	Details
Classic Collection		
T Tapered Foot	12	48
C Decorative Collar	13	52
BL Ball Foot	14	56
B Bun Foot	15	60
Traditional Collection		
E Essex	16	64
W Westport	17	66
CAP Capital	18	68
K Kingston	19	70
V Victorian	20	72
P Providence	21	74
REN Renaissance	22	76
PREN Petite Renaissance	23	77
N Newport	24	78
BAY Bayonne	25	80
FR Franklin	25	81
EM Embry	26	82
SH Soho	27	83
Modern Collection		
S Studio	28	84
M Minimal	29	90
MET Metro	30	92
MOD Modern	31	96
SQ Square	32	98
L Linear	33	100
J Jamestown	34	101
BR Bristol	35	102
Wall Mount Collection		
REG Regency	36	103
A Apex	37	104
SG Signature	38	105

Finishes, Options & Accessories

Finishes & Materials	40	106
Shelving & Supports	42	110
Options & Accessories	44	112

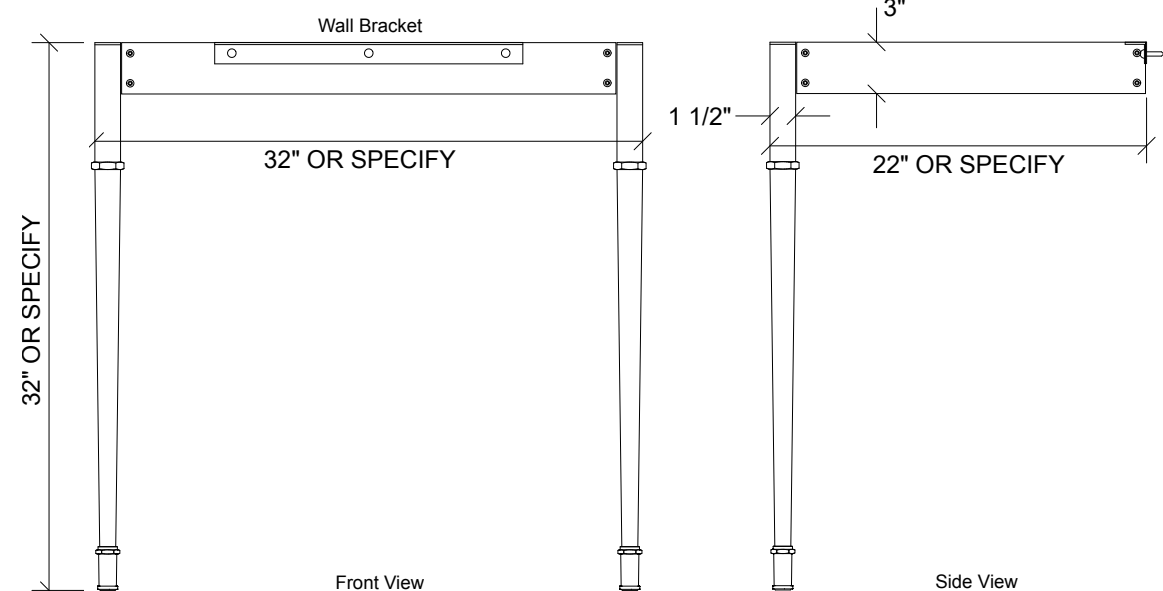
Appendices

Dealers & Resources	116
Estimates & Orders	117
China Sinks	119
Anatomy of a Leg System	120
Tubing Diameter Reference	121

2-LEG

UP TO 42" W COUNTERS

Standard Counter Size: 36"W x 24"D



MODEL NUMBERS FOR LEG SYSTEM

LEGS	DIA	MODEL	DESCRIPTION
4-LEG	1.5"	LS2BR	LEG SYS 2-LEG 1.5" BRISTOL

Available Finishes

AVAILABLE IN ALL 16 PALMER FINISHES please see page 106 for details

shown with optional Glass Shelf & Clip Supports



COMPATIBLE OPTIONS & ACCESSORIES

ONLY the options & accessories listed below may be used with this BRISTOL style

TURN TO OPTIONS PAGE 110

Please select only from the Options & Accessories listed here for use with the BRISTOL style

BR

Turn to the Options & Finishes Tab Page for Details

Towel Shelf Options:

- Tubular Metal Shelf (TS)
- Glass Shelf (GS)
- Teak Wood Shelf (WS)

Shelf Support Options: required for all shelves

- Low Profile Shelf Support (SS_LP)
- Clip Shelf Support (SS_C)

Additional Options & Accessories:

- ADA Compliant Configuration (ADA)
- Wall Brackets: non-standard (WB)
- Auxiliary Towel Rail (TR)
- TP Holder (TP)

MODEL NUMBERS FOR WALL MOUNT SYSTEM

DIA	MODEL	DESCRIPTION
1.0"	WMREG	REGENCY WALL MOUNT SYSTEM

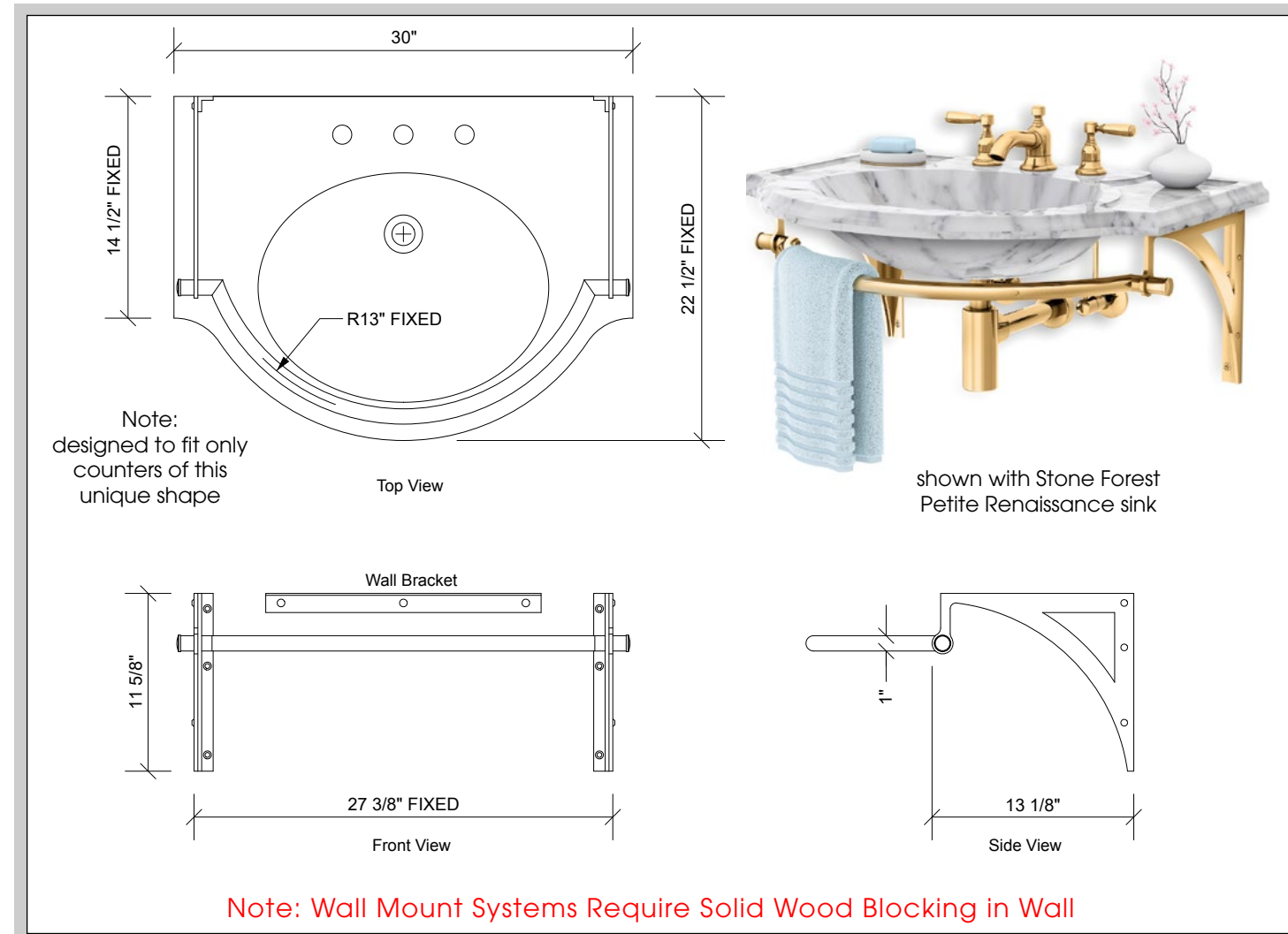
Options & Accessories:

- Wall Brackets: non-standard (WB)

Available Finishes

AVAILABLE IN ALL 16 PALMER FINISHES please see page 106 for details

TURN TO OPTIONS PAGE 110



Note: Wall Mount Systems Require Solid Wood Blocking in Wall



For sizes larger than shown, and/or custom configurations, please contact Palmer for a quote





Apex

SEE PHOTO ON PG. 37



WALL MOUNT SYSTEM

Signature

SEE PHOTO ON PG. 38



WALL MOUNT SYSTEM



Table of Contents

Styles

Classic Collection

T Tapered Foot	12	48
C Decorative Collar	13	52
BL Ball Foot	14	56
B Bun Foot	15	60

Traditional Collection

E Essex	16	64
W Westport	17	66
CAP Capital	18	68
K Kingston	19	70
V Victorian	20	72
P Providence	21	74
REN Renaissance	22	76
PREN Petite Renaissance	23	77
N Newport	24	78
BAY Bayonne	25	80
FR Franklin	25	81
EM Embry	26	82
SH Soho	27	83

Modern Collection

S Studio	28	84
M Minimal	29	90
MET Metro	30	92
MOD Modern	31	96
SQ Square	32	98
L Linear	33	100
J Jamestown	34	101
BR Bristol	35	102

Wall Mount Collection

REG Regency	36	103
A Apex	37	104
SG Signature	38	105

Finishes, Options & Accessories

Finishes & Materials	40	106
Shelving & Supports	42	110
Options & Accessories	44	112

Appendices

Dealers & Resources	116
Estimates & Orders	117
China Sinks	119
Anatomy of a Leg System	120
Tubing Diameter Reference	121

shown with optional Decorative Collars

shown with Stone Forest Vintage 27 sink

Wall Bracket

SET IN FIELD

Optional Decorative Collars

UP TO 24" COUNTER

1"

Front View

Side View

Note: Wall Mount Systems Require Solid Wood Blocking in Wall

MODEL NUMBERS FOR WALL MOUNT SYSTEM

DIA	MODEL	DESCRIPTION
1.0"	WMAC	APEX WALL MOUNT SYSTEM w/COLLARS
1.0"	WMA	APEX WALL MOUNT SYSTEM NO COLLARS

Available Finishes

AVAILABLE IN ALL 16 PALMER FINISHES
please see page 106 for details

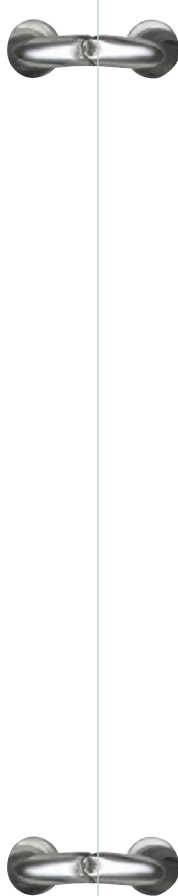
Options & Accessories:

Wall Brackets: non-standard (WB)

TURN TO OPTIONS PAGE 110

Standard Wall Bracket(s) included with all Wall Mount systems
Custom Configurations are available - if you don't see what you want please call Palmer Customer Support

PalmerIndustries.com



shown with Duravit Vero sink

Wall Bracket

SET IN FIELD

UP TO 24" COUNTER

1"

Front View

Side View

Note: Wall Mount Systems Require Solid Wood Blocking in Wall

MODEL NUMBERS FOR WALL MOUNT SYSTEM

DIA	MODEL	DESCRIPTION
1.0"	WMSG	SIGNATURE WALL MOUNT SYSTEM

Available Finishes

AVAILABLE IN ALL 16 PALMER FINISHES
please see page 106 for details

Options & Accessories:

Reeded Tubing	(RT)
Hammered Ball Fittings	(HB)
Wall Brackets: non-standard	(WB)

TURN TO OPTIONS PAGE 110

For sizes larger than shown, and/or custom configurations, please contact Palmer for a quote

M-F 9-5:30 EST





Plated Finishes

*Luxurious Luster,
Soft Satin Sheen*

Plated with precision to Palmer's uncompromising standards, these finishes combine lasting beauty with engineered durability.

By bonding nickel or chrome to solid brass, each surface gains both resilience and depth.

From the subtle warmth of satin nickel to the mirror-like clarity of polished chrome, the result is a timeless finish with enduring integrity.



PC
Polished Chrome



PN
Polished Nickel



SN
Satin Nickel



AN
Aged Nickel Un-Lacquered

Coated Finishes

*Lasting Beauty,
Gently Preserved*

Protected with fine lacquers or coatings, these finishes preserve their luster while gently tempering the effects of age.

Engineered for enduring beauty in high-use environments, each finish resists tarnish and wear, ensuring low maintenance and lasting appeal. Favored by hospitality.

This family of finishes balances durability and design.



PBL
Polished Brass Lacquered



SBL
Satin Brass Lacquered



ABL
Aged Brass Lacquered



MB
Cerakote®
Matte Black

PVD Finishes

*Advanced Technology,
For A Lifetime of Use*

Our premium Physical Vapor Deposition process bonds metal layers into a resilient surface, offering lasting color and exceptional resistance to wear.

PVD technology creates a durable barrier that resists tarnish, corrosion, and fading, making it ideal for high-use and high-humidity environments.

PVD delivers exceptional longevity while preserving the warmth and clarity of the metal beneath.



PBPVD
Polished Brass PVD



SBPVD
Satin Brass PVD



PGPVD
Polished Gold PVD



SGPVD
Satin Gold PVD

Living Finishes

*Maturing with Beauty & Grace,
A Patina Uniquely Yours*

Evolving with use, these hand-applied finishes reveal a living patina, enriched by the unique character of place, touch, and the passage of time.

Un-Lacquered by design, each surface matures with elegance, shifting in warmth and tone.

Over time, nuance and depth emerge, as every surface records its surroundings and reflects an authentic expression of use.



PBUL
Polished Brass Un-Lacquered



SBW
Satin Brass Waxed



ABUL
Aged Brass Un-Lacquered



ORB
Oil Rubbed Bronze

Styles	Images	Details
<i>Classic Collection</i>		
T Tapered Foot	12	48
C Decorative Collar	13	52
BL Ball Foot	14	56
B Bun Foot	15	60
<i>Traditional Collection</i>		
E Essex	16	64
W Westport	17	66
CAP Capital	18	68
K Kingston	19	70
V Victorian	20	72
P Providence	21	74
REN Renaissance	22	76
PREN Petite Renaissance	23	77
N Newport	24	78
BAY Bayonne	25	80
FR Franklin	25	81
EM Embry	26	82
SH Soho	27	83
<i>Modern Collection</i>		
S Studio	28	84
M Minimal	29	90
MET Metro	30	92
MOD Modern	31	96
SQ Square	32	98
L Linear	33	100
J Jamestown	34	101
BR Bristol	35	102
<i>Wall Mount Collection</i>		
REG Regency	36	103
A Apex	37	104
SG Signature	38	105
<i>Finishes, Options & Accessories</i>		
Finishes & Materials	40	106
Shelving & Supports	42	110
Options & Accessories	44	112
<i>Appendices</i>		
Dealers & Resources		116
Estimates & Orders		117
China Sinks		119
Anatomy of a Leg System		120
Tubing Diameter Reference		121

COMPLETE YOUR VISION

Options & Accessories



New Ravenna



Shelving, Options, & Accessories



Choose the shelving, options, and accessories on the following pages to complete your Palmer washstand.

All Palmer styles with corresponding style codes are listed below.

Select only options with the code that matches your leg style.

Classic Collection

- T** Tapered Foot
- C** Decorative Collar
- BL** Ball Foot
- B** Bun Foot

Traditional Collection

- E** Essex
- W** Westport
- CAP** Capital
- K** Kingston
- V** Victorian
- P** Providence
- REN** Renaissance
- PREN** Petite Ren
- N** Newport
- BAY** Bayonne
- FR** Franklin
- EM** Embry
- SH** Soho

Modern Collection

- S** Studio
- M** Minimal
- MET** Metro
- MOD** Modern
- SQ** Square
- L** Linear
- J** Jamestown
- BR** Bristol

Wall Mount Collection

- REG** Regency
- A** Apex
- SG** Signature

ALL STYLES

Compatible with all styles

Table of Contents

Styles	Images	Details
<i>Classic Collection</i>		
T Tapered Foot	12	48
C Decorative Collar	13	52
BL Ball Foot	14	56
B Bun Foot	15	60
<i>Traditional Collection</i>		
E Essex	16	64
W Westport	17	66
CAP Capital	18	68
K Kingston	19	70
V Victorian	20	72
P Providence	21	74
REN Renaissance	22	76
PREN Petite Renaissance	23	77
N Newport	24	78
BAY Bayonne	25	80
FR Franklin	25	81
EM Embry	26	82
SH Soho	27	83
<i>Modern Collection</i>		
S Studio	28	84
M Minimal	29	90
MET Metro	30	92
MOD Modern	31	96
SQ Square	32	98
L Linear	33	100
J Jamestown	34	101
BR Bristol	35	102
<i>Wall Mount Collection</i>		
REG Regency	36	103
A Apex	37	104
SG Signature	38	105
<i>Finishes, Options & Accessories</i>		
Finishes & Materials	40	106
Shelving & Supports	42	110
Options & Accessories	44	112
<i>Appendices</i>		
Dealers & Resources		116
Estimates & Orders		117
China Sinks		119
Anatomy of a Leg System		120
Tubing Diameter Reference		121



R-060326

R-060326



SHELF OPTIONS

SHELF SUPPORT OPTIONS



Table of Contents

HOTEL STYLE SHELF



for larger image, see page 43

TUBULAR METAL CONSTRUCTION WITH EUROPEAN-STYLE FLAIR

requires a shelf support: Choose Rail or Low-Profile

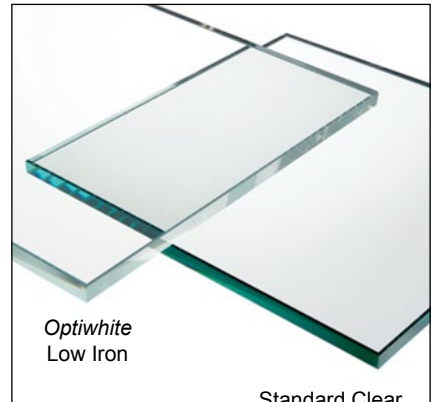
LEGS	MODEL
2-LEG	TS2
3-LEG	TS3
4-LEG	TS4
5-LEG	TS5

AVAILABLE FINISHES
Available in ALL finishes

Shelves are NOT field cuttable

for use with: T C BL B E W CAP K REN PREN P N BAY FR EM S M MET MOD SQ L J BR

GLASS SHELF



Optiwhite Low Iron
Standard Clear

for larger image, see page 42

TEMPERED GLASS • 1/2" THICK • FLAT-POLISHED ON ALL EDGES

all shelves require a shelf support choose:
Rail Support
Low-Profile Support
or
Clip Support

Shelves are NOT field cuttable

Shelving for 3 & 5 Leg Configurations provided in 2 pieces (included in price)

LEGS	GLASS TYPE	MODEL
2-LEG	STANDARD CLEAR	GS2-SC
	LOW IRON	GS2-LI
3-LEG	STANDARD CLEAR	GS3-SC
	LOW IRON	GS3-LI
4-LEG	STANDARD CLEAR	GS4-SC
	LOW IRON	GS4-LI
5-LEG	STANDARD CLEAR	GS5-SC
	LOW IRON	GS5-LI

for use with: T C BL B E W CAP K REN PREN P N BAY FR EM SH S M MET MOD SQ L J BR

TEAK WOOD SHELF



for larger image, see page 43


A TEAK WOOD SHELF PROVIDES A WARM TEXTURE AND COLOR, WITH A SPA-LIKE FEEL

Shelves are NOT field cuttable

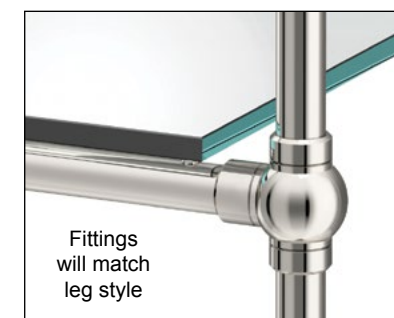
LEGS	MODEL
2-LEG	WS2
3-LEG	WS3
4-LEG	WS4
5-LEG	WS5

requires a shelf support: choose Rail or Low-Profile

for use with: T C BL B E W CAP K REN PREN P FR EM S M MET MOD SQ L J BR



RAIL SUPPORT



Fittings will match leg style

for larger image, see page 42

TUBULAR SUPPORT OF SAME DIAMETER AS LEGS, WITH TEE JOINT

LEGS	MODEL 1.5" dia	MODEL 1.0" dia
2-LEG	SS2R	SS21R
3-LEG	SS3R	SS31R
4-LEG	SS4R	SS41R
5-LEG	SS5R	SS51R

AVAILABLE FINISHES
Available in ALL finishes

for use with:
• hotel style shelf
• glass shelf
• teak wood shelf
• stone shelf

for use with: T C BL B S

LOW PROFILE SUPPORT



Fittings will match leg style

for larger image, see page 42

TUBULAR SUPPORT OF SMALLER DIAMETER THAN LEGS, NO TEE JOINT

LEGS	MODEL
2-LEG	SS2LP
3-LEG	SS3LP
4-LEG	SS4LP
5-LEG	SS5LP

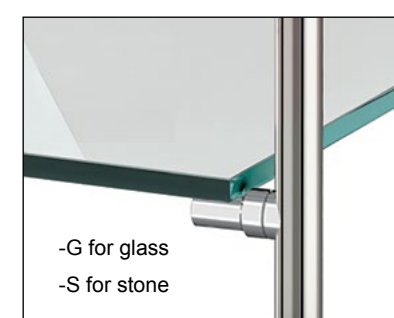
AVAILABLE FINISHES
Available in ALL finishes

for use with:
• hotel style shelf
• glass shelf
• teak wood shelf
• stone shelf

• cannot be used with acrylic legs

for use with: T C BL B E W CAP K P N BAY FR EM S M MET MOD SQ J BR

CLIP SUPPORT



-G for glass
-S for stone

for larger image, see page 43

SHELF RESTS ON FITTED CLIPS AT LEGS


• glass supported by clips at wall • stone supported by bracket at wall
• maximum of 1/2" thickness for glass shelf • cannot be used with acrylic legs

LEGS	GLASS	STONE
2-LEG	SS2C-G	SS2C-S
3-LEG	SS3C-G	SS3C-S
4-LEG	SS4C-G	SS4C-S
5-LEG	SS5C-G	SS5C-S

AVAILABLE FINISHES
Available in ALL finishes

• Wall Clip for 1/2" Glass

for use with: T C BL B E W CAP K P N BAY FR EM SH S M MET MOD J BR



SPLIT COLLAR SUPPORT



for larger image, see page 43

LEGS PASS THROUGH SHELF, WITH COLLARS PROVIDING SUPPORT

for use with: • stone shelf • glass shelf • wood shelf

LEGS	MODEL
2-LEG	SS2SC
3-LEG	SS3SC
4-LEG	SS4SC
5-LEG	SS5SC

AVAILABLE FINISHES
Available in ALL finishes

for use with: T C BL B W CAP S MET



Styles	Images	Details
Classic Collection		
T Tapered Foot	12	48
C Decorative Collar	13	52
BL Ball Foot	14	56
B Bun Foot	15	60
Traditional Collection		
E Essex	16	64
W Westport	17	66
CAP Capital	18	68
K Kingston	19	70
V Victorian	20	72
P Providence	21	74
REN Renaissance	22	76
PREN Petite Renaissance	23	77
N Newport	24	78
BAY Bayonne	25	80
FR Franklin	25	81
EM Embry	26	82
SH Soho	27	83
Modern Collection		
S Studio	28	84
M Minimal	29	90
MET Metro	30	92
MOD Modern	31	96
SQ Square	32	98
L Linear	33	100
J Jamestown	34	101
BR Bristol	35	102

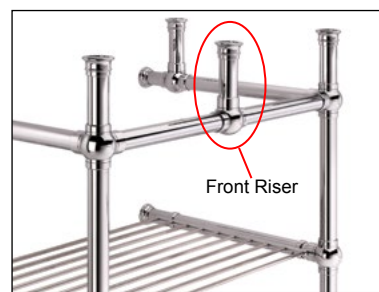
Wall Mount Collection		
REG Regency	36	103
A Apex	37	104
SG Signature	38	105

Finishes, Options & Accessories		
Finishes & Materials	40	106
Shelving & Supports	42	110
Options & Accessories	44	112

Appendices		
Dealers & Resources		116
Estimates & Orders		117
China Sinks		119
Anatomy of a Leg System		120
Tubing Diameter Reference		121



FRONT RISER



for larger image, see page 44

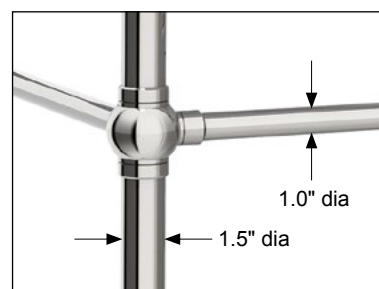
ADDITIONAL FRONT COUNTER SUPPORT

- available 1.5" diameter only • not available for acrylic crossbar
- front riser(s) should be considered for counters 48" or wider (2-Leg/4-Leg)
- consult your counter supplier regarding support requirements
- front riser will not prevent all flexing of counter if excessive force is applied

DESCRIPTION	MODEL	AVAILABLE FINISHES
HAMMERED BALLS	HB	Available in ALL finishes

for use with: **T C BL B S** 1.5" Diameter Tubing ONLY

SPLIT DIAMETER



for larger image, see page 14 & 45

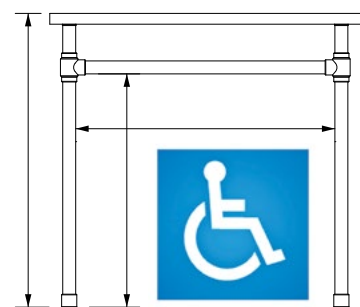
1.5" DIAMETER LEGS WITH 1.0" DIAMETER CROSSBARS

- combination of two tubing diameters
- provides dimensional contrast and design interest

DESCRIPTION	MODEL	AVAILABLE FINISHES
SPLIT DIAMETER	SD	Available in ALL finishes

for use with: **T C BL B S**

ADA



ADA COMPLIANT SIZING:
washstand conforms to **A**mericans with **D**isabilities **A**ct dimensions

- customization charge reflects minimum washstand dimensions required to meet ADA specifications

DESCRIPTION	MODEL	AVAILABLE FINISHES
ADA COMPLIANT	ADA	Available in ALL finishes

for use with: **T C BL B E W CAP K P FR EM SH S M MET MOD SQ L BR**

CURVED CROSSBAR



for larger image, see page 22 & 44

CURVED CROSSBAR CONFORMS TO RADIUS SHAPE OF COUNTER

- provides design flair • washstand cannot be field cut for width

DESCRIPTION	MODEL	AVAILABLE FINISHES
CURVED CROSSBAR	CURV	Available in ALL finishes

for use with: **T C BL B E W K S M MET MOD**

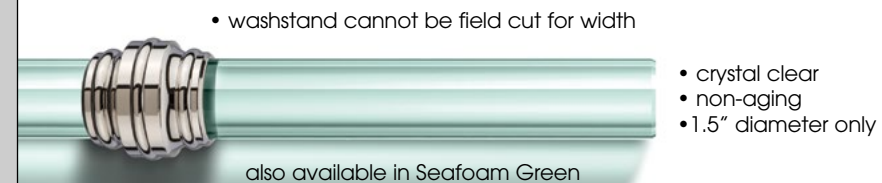
ACRYLIC ROD



for larger image, see page 40

SUBSTITUTE ACRYLIC ROD FOR LEGS AND/OR HORIZONTAL TUBING

DIA	MODEL	DESCRIPTION
1.5"	ACRL	ACRYLIC LEGS ONLY
1.5"	ACRH	ACRYLIC HORIZONTALS ONLY
1.5"	ACRHL	ACRYLIC HORIZONTALS & LEGS



for use with: **T C BL B S** 1.5" Diameter ONLY

REEDED TUBING



for larger image, see page 41

SUBSTITUTE REEDED TUBING FOR LEGS AND/OR HORIZONTAL TUBING

DESCRIPTION	MODEL	AVAILABLE FINISHES
REEDED HORIZONTALS, LEGS, AND RISERS	RTHL	Available in ALL finishes
REEDED HORIZONTALS	RTH	
REEDED LEGS	RTL	

- unique ribbed detail
- classic furniture design element

for use with: **T C BL B E W CAP V REN PREN N BAY S M MET MOD SG**

HAMMERED BALL



for larger image, see page 45

BALL IS HAND-TOOLED WITH HAMMERED FACETS

DESCRIPTION	MODEL	AVAILABLE FINISHES
HAMMERED BALLS	HB	Available in ALL finishes

- available for 1.5" & 1.0" dia. tubing
- each ball is hand-tooled by a skilled artisan

for use with: **T C BL B K V REN PREN N BAY FR MOD SG**

Styles

Classic Collection

T Tapered Foot	12	48
C Decorative Collar	13	52
BL Ball Foot	14	56
B Bun Foot	15	60

Traditional Collection

E Essex	16	64
W Westport	17	66
CAP Capital	18	68
K Kingston	19	70
V Victorian	20	72
P Providence	21	74
REN Renaissance	22	76
PREN Petite Renaissance	23	77
N Newport	24	78
BAY Bayonne	25	80
FR Franklin	25	81
EM Embry	26	82
SH Soho	27	83

Modern Collection

S Studio	28	84
M Minimal	29	90
MET Metro	30	92
MOD Modern	31	96
SQ Square	32	98
L Linear	33	100
J Jamestown	34	101
BR Bristol	35	102

Wall Mount Collection

REG Regency	36	103
A Apex	37	104
SG Signature	38	105

Finishes, Options & Accessories

Finishes & Materials	40	106
Shelving & Supports	42	110
Options & Accessories	44	112

Appendices

Dealers & Resources	116
Estimates & Orders	117
China Sinks	119
Anatomy of a Leg System	120
Tubing Diameter Reference	121



WALL BRACKET



DIMENSIONS: Standard: 1.25" x 1.25" x 0.13" Heavy Weight: 1.75" x 1.75" x 0.19"

Length provided to suit counter width

Screws & wall anchors included

for larger image, see page 44

SUPPORTS COUNTER AT WALL • REQUIRED FOR ALL INSTALLATIONS

- standard wall bracket(s) included at no charge with all washstands
• heavy weight wall bracket recommended for counters 150 lb or more (a typical 36" W x 24" D x 1.25"-thick stone top weighs 80 lb)
• mounts to underside of counter at wall, not visible from a standing position

Table with 3 columns: DESCRIPTION, MODEL, AVAILABLE FINISHES. Rows include WALL BRACKET ALUMINUM STANDARD WEIGHT, HEAVY WEIGHT, and WALL BRACKET SOLID BRASS STANDARD WEIGHT.

for use with: ALL STYLES * not available in Polished Chrome (PC)

TOWEL RAIL



for larger image, see page 45

AUXILIARY TOWEL RAIL

- provides more accessibility for the hanging of towels
• cannot be used with acrylic horizontal crossbar option
• total projection of posts = 3 1/4"
• specify: TRL for left-side mount
• specify: TRR for right-side mount

Table with 3 columns: DESCRIPTION, MODEL, AVAILABLE FINISHES. Row: AUXILIARY TOWEL RAIL, TR, Available in ALL finishes

for use with: T C BL B E W CAP K REN PREN P N BAY FR S M MET MOD SQ L J BR

TP HOLDER



for larger image, see page 45

SIDE MOUNTED TOILET PAPER HOLDER

- cannot be used with acrylic horizontal crossbar option
• specify: TPL for left-side mount
• specify: TPR for right-side mount

Table with 3 columns: DESCRIPTION, MODEL, AVAILABLE FINISHES. Row: TOILET PAPER HOLDER, TP, Available in ALL finishes

for use with: T C BL B E W CAP K REN PREN P N BAY FR S M MET MOD SQ L J BR



CUSTOMER SUPPORT



photo: Sam Frost

Newport

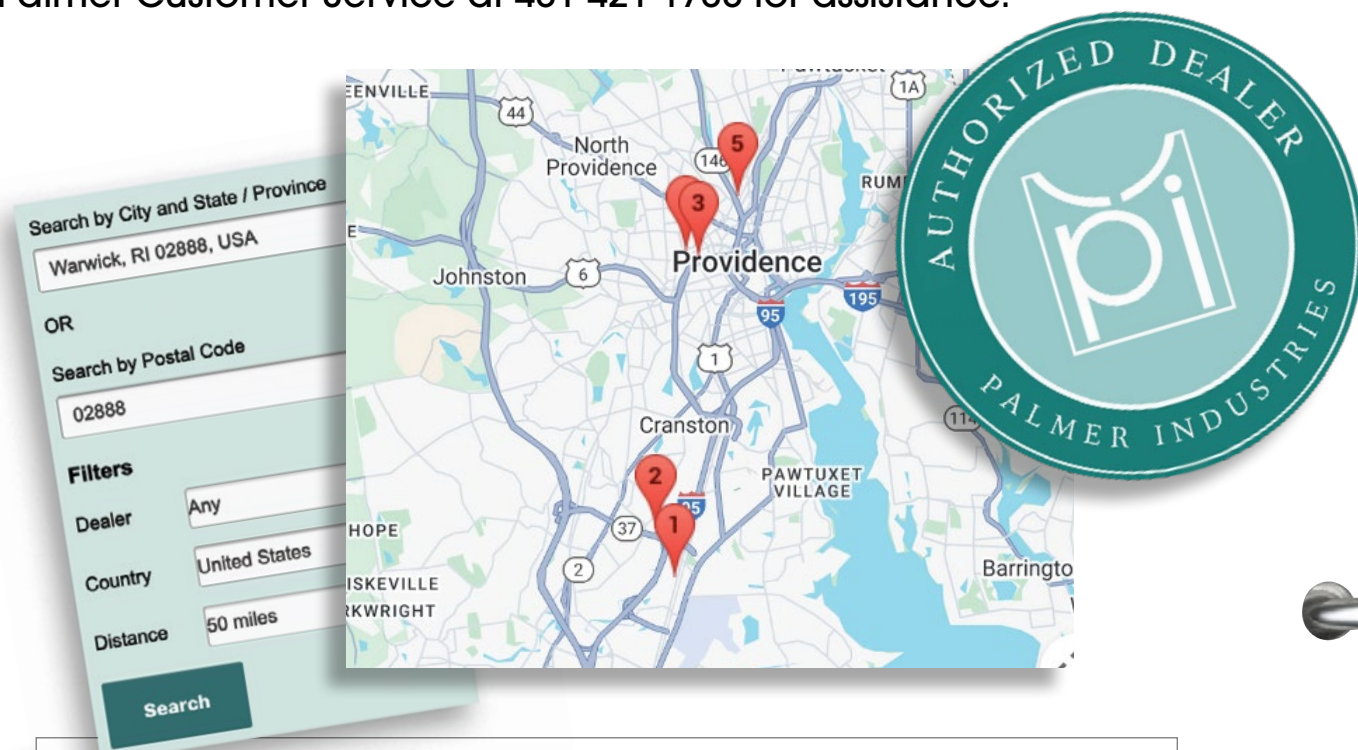
Table of Contents

Table with columns: Styles, Images, Details. Lists Classic Collection, Traditional Collection, Modern Collection, Wall Mount Collection, Finishes, Options & Accessories, and Appendices.



Palmer Vanity Sinkleg Systems are sold through our network of Authorized Palmer Dealers, Distributors, and Showrooms.

You can use the "Dealer Locator" found on our website to locate your nearest dealer at palmerindustries.com/mydealers... or call Palmer Customer Service at 401-421-1730 for assistance.



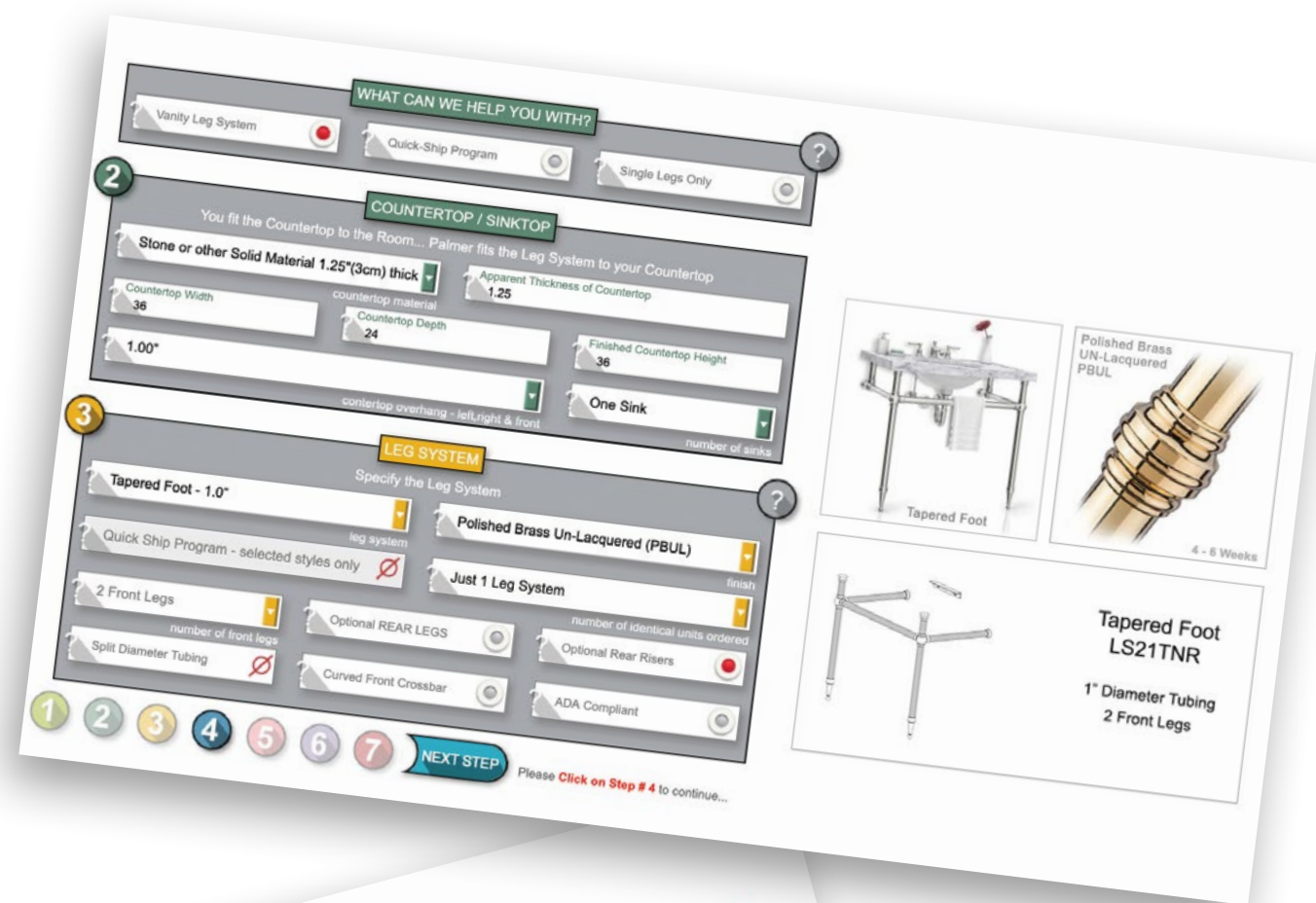
For the most current Product information visit palmerindustries.com

- Instant Sink Legs Estimator: palmerindustries.com/quick-quote
- Dealer Locator: palmerindustries.com/mydealers
- Care & Cleaning: palmerindustries.com/care
- Warranty: palmerindustries.com/warranty
- Policies & Procedures: palmerindustries.com/terms

For an "Instant Estimate"

please visit our user-friendly estimator at: palmerindustries.com/quick-quote

1. Make your Vanity Sink Leg selections and fill out the form
2. Submit the form
3. Recieve a pdf Estimate in 2 minutes or less.



4. Along with your estimate you will receive contact information for the 5 Palmer Dealers nearest to you.

6. Send your estimate to the dealer of your choice...

or call Palmer at 401.421.1730 for assistance

Styles	Images	Details
<i>Classic Collection</i>		
T Tapered Foot	12	48
C Decorative Collar	13	52
BL Ball Foot	14	56
B Bun Foot	15	60
<i>Traditional Collection</i>		
E Essex	16	64
W Westport	17	66
CAP Capital	18	68
K Kingston	19	70
V Victorian	20	72
P Providence	21	74
REN Renaissance	22	76
PREN Petite Renaissance	23	77
N Newport	24	78
BAY Bayonne	25	80
FR Franklin	25	81
EM Embry	26	82
SH Soho	27	83
<i>Modern Collection</i>		
S Studio	28	84
M Minimal	29	90
MET Metro	30	92
MOD Modern	31	96
SQ Square	32	98
L Linear	33	100
J Jamestown	34	101
BR Bristol	35	102
<i>Wall Mount Collection</i>		
REG Regency	36	103
A Apex	37	104
SG Signature	38	105

Finishes, Options & Accessories

Finishes & Materials	40	106
Shelving & Supports	42	110
Options & Accessories	44	112

Appendices

Dealers & Resources	116
Estimates & Orders	117
China Sinks	119
Anatomy of a Leg System	120
Tubing Diameter Reference	121



Emily Kennedy

Bun Foot

Palmer washstands are the natural choice for supporting china or porcelain sinks...a stylish marriage.

Palmer leg systems can be sized to accommodate almost any choice of china sink.

Sizing a stand to properly fit a china sink can be accomplished three ways:

1. Choose a china sink from our online database located on our website Resources page at palmerindustries.com/sinks. This database represents a current listing of sinks that Palmer has evaluated. Palmer will build the stand to fit the sink exactly.
2. Drop-ship the sink directly to Palmer for proper sizing evaluation. Palmer will then take all the appropriate measurements, and determine a washstand size that fits the sink perfectly. Please contact palmer for shipping arrangements.
3. Order the washstand larger than required with the intention of cutting the leg system on-site to fit the sink. Note: shelves cannot be field cut.



R-060326

R-060326



Minimal with Duravit DuraStyle sink

Styles

Classic Collection

	Images	Details
T Tapered Foot	12	48
C Decorative Collar	13	52
BL Ball Foot	14	56
B Bun Foot	15	60

Traditional Collection

E Essex	16	64
W Westport	17	66
CAP Capital	18	68
K Kingston	19	70
V Victorian	20	72
P Providence	21	74
REN Renaissance	22	76
PREN Petite Renaissance	23	77
N Newport	24	78
BAY Bayonne	25	80
FR Franklin	25	81
EM Embry	26	82
SH Soho	27	83

Modern Collection

S Studio	28	84
M Minimal	29	90
MET Metro	30	92
MOD Modern	31	96
SQ Square	32	98
L Linear	33	100
J Jamestown	34	101
BR Bristol	35	102

Wall Mount Collection

REG Regency	36	103
A Apex	37	104
SG Signature	38	105

Finishes, Options & Accessories

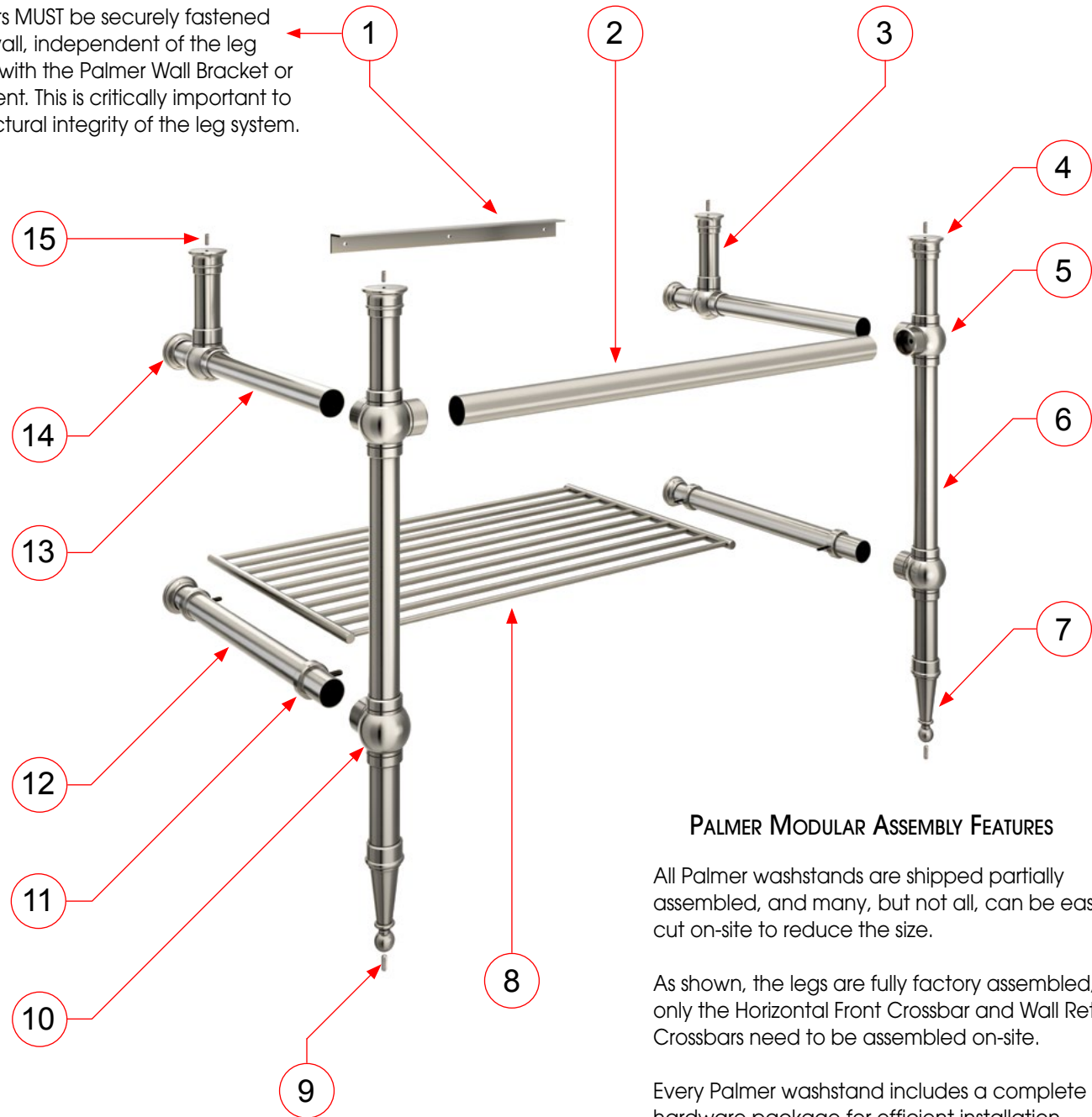
Finishes & Materials	40	106
Shelving & Supports	42	110
Options & Accessories	44	112

Appendices

Dealers & Resources	116
Estimates & Orders	117
China Sinks	119
Anatomy of a Leg System	120
Tubing Diameter Reference	121



Counters MUST be securely fastened to the wall, independent of the leg system, with the Palmer Wall Bracket or equivalent. This is critically important to the structural integrity of the leg system.



PALMER MODULAR ASSEMBLY FEATURES

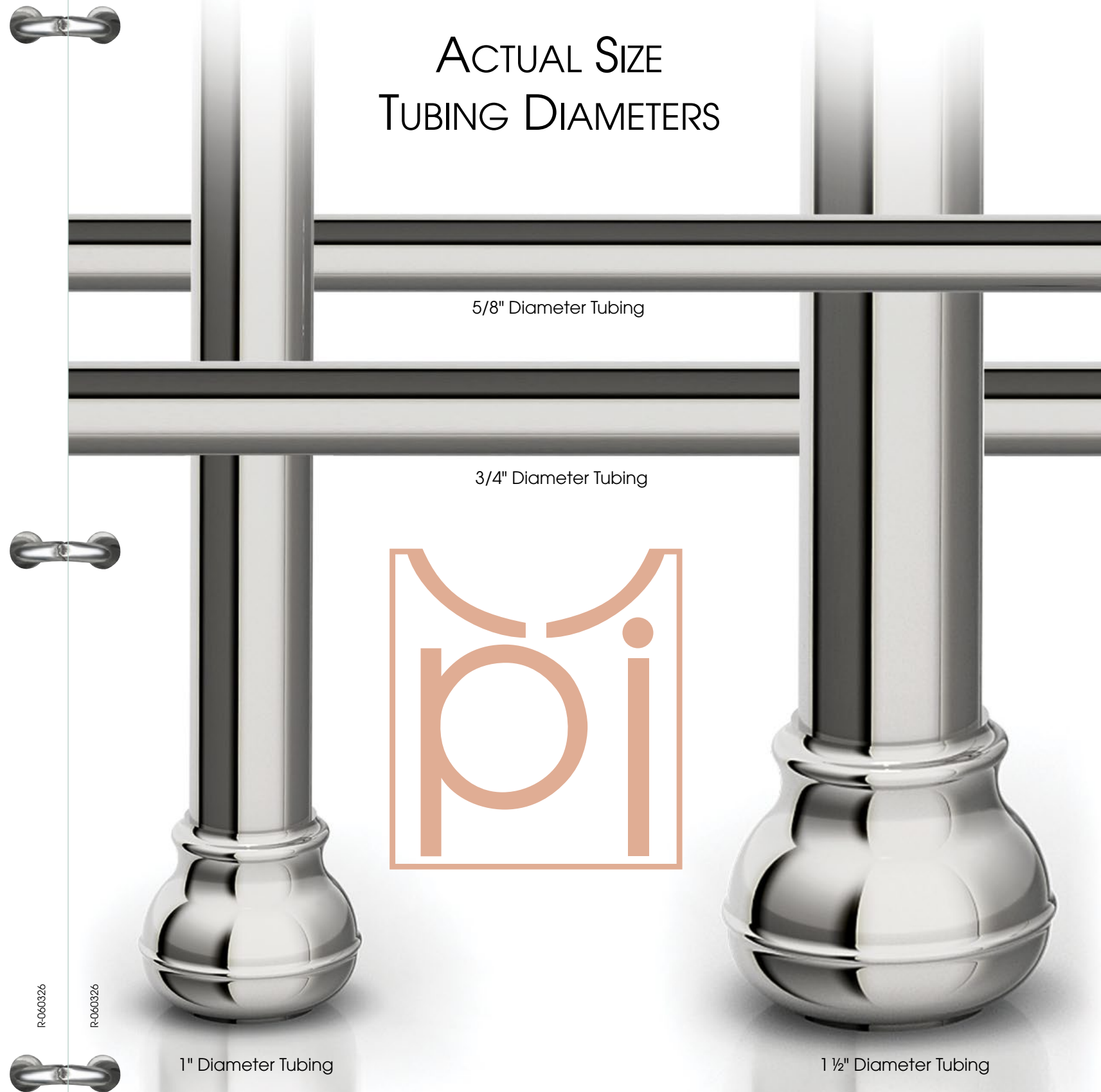
All Palmer washstands are shipped partially assembled, and many, but not all, can be easily cut on-site to reduce the size.

As shown, the legs are fully factory assembled, so only the Horizontal Front Crossbar and Wall Return Crossbars need to be assembled on-site.

Every Palmer washstand includes a complete hardware package for efficient installation.

- 1. Wall Bracket
- 2. Front Crossbar
- 3. Rear Riser (optional)
- 4. Top Cap
- 5. Corner Joint
- 6. Leg Tube
- 7. Foot
- 8. Shelf (optional)
- 9. Floor Pin
- 10. Shelf Support Tee Joint (optional)
- 11. Shelf Support Ring (optional)
- 12. Shelf Support Tube (optional)
- 13. Wall Return Crossbar
- 14. Wall Flange
- 15. Counter Pin

ACTUAL SIZE TUBING DIAMETERS



Styles	Images	Details
Classic Collection		
T Tapered Foot	12	48
C Decorative Collar	13	52
BL Ball Foot	14	56
B Bun Foot	15	60
Traditional Collection		
E Essex	16	64
W Westport	17	66
CAP Capital	18	68
K Kingston	19	70
V Victorian	20	72
P Providence	21	74
REN Renaissance	22	76
PREN Petite Renaissance	23	77
N Newport	24	78
BAY Bayonne	25	80
FR Franklin	25	81
EM Embry	26	82
SH Soho	27	83
Modern Collection		
S Studio	28	84
M Minimal	29	90
MET Metro	30	92
MOD Modern	31	96
SQ Square	32	98
L Linear	33	100
J Jamestown	34	101
BR Bristol	35	102
Wall Mount Collection		
REG Regency	36	103
A Apex	37	104
SG Signature	38	105

Finishes, Options & Accessories

Finishes & Materials	40	106
Shelving & Supports	42	110
Options & Accessories	44	112

Appendices

Dealers & Resources	116
Estimates & Orders	117
China Sinks	119
Anatomy of a Leg System	120
Tubing Diameter Reference	121

PALMER INDUSTRIES

CUSTOM ARCHITECTURAL METALWORK

info@palmerindustries.com
palmerindustries.com
(401) 421-1730

