

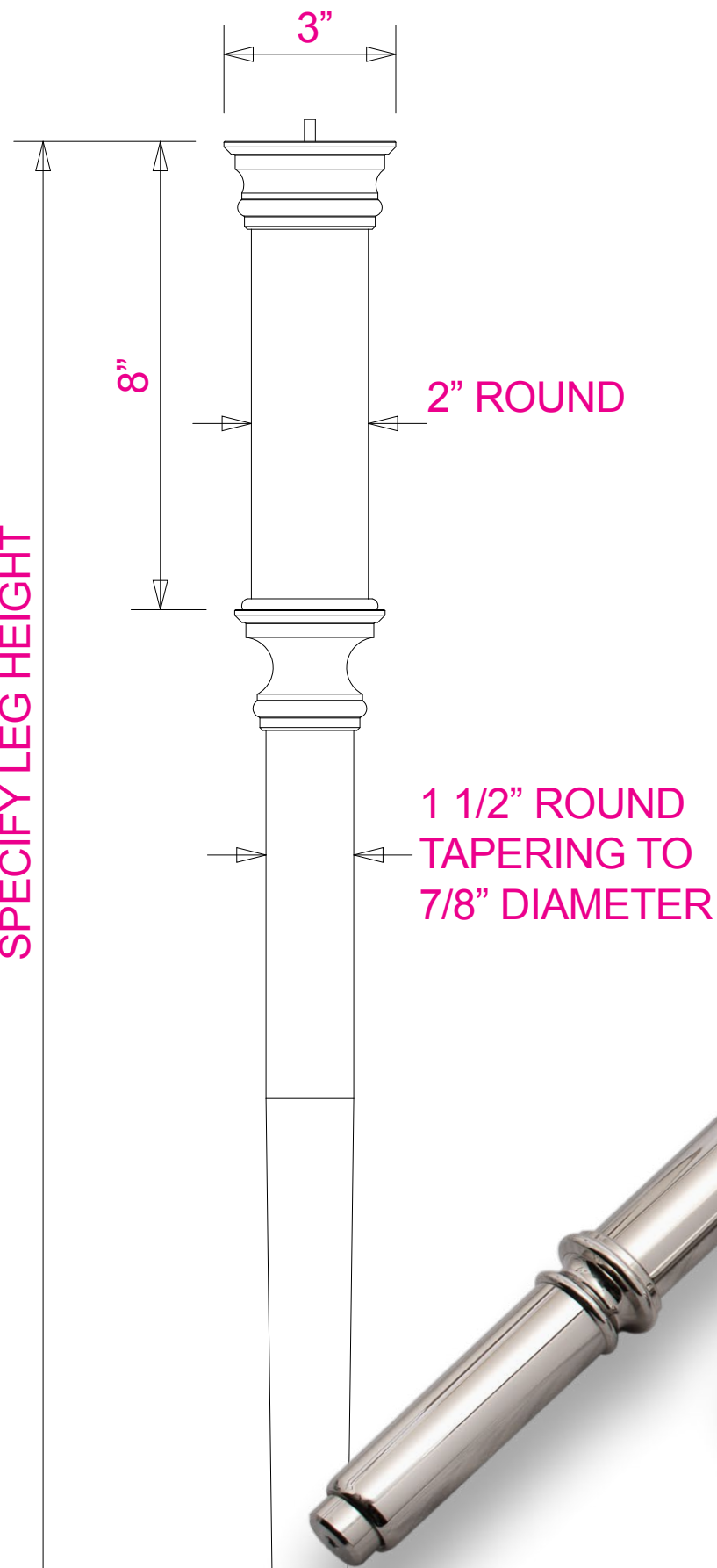
THE EMBRY

REMARKS CONCEPT FOR EMBRY	DRAWER	MST	10/16/20
	MATERIAL	BRASS	
	FINISH	SPECIFY	
	DRAWING		



With its robust two-inch diameter head transitioning through a sculpted neck fitting into a gracefully tapered leg, the Embry makes an elegant statement.

SPECIFY LEG HEIGHT



The *Embry* leg incorporates a unique leveling pin in the bottom of the foot, allowing for 3/4" of height adjustment, correcting any out-of-level floor condition.

